

# Flying Spares

Rolls-Royce & Bentley Parts Specialists

**1946 - 1955**

Rolls-Royce Silver Dawn  
& Silver Wraith

Bentley MkVI & R Type  
& all Coachbuilt derivatives

**PARTS LIST**

**Tel : 01455 292949**

**[www.flyingsparses.com](http://www.flyingsparses.com)**

# INDEX

	PAGE
INTRODUCTION	2
GUIDE TO CHASSIS / VEHICLE IDENTITY NUMBERS	3-4
ACCESSORIES, HANDBOOKS & MANUALS	5
BODY	6-14
BODY REPAIR PANELS	15-17
BRAKES	18-21
COOLING SYSTEM	22-26
ELECTRICAL	27-35
ENGINE	36-54
EXHAUSTS	55-66
FUEL	67-76
GEARBOX & CLUTCH	77-79
IGNITION	80
INSTRUMENTS	81-82
PROPSHAFT	83
SERVICE PARTS	84
ONE-SHOT CHASSIS LUBRICATION	85
STEERING	86-91
SUSPENSION - FRONT	92-96
SUSPENSION - REAR & REAR AXLE	97-102
TOOLS & TECHNICAL LITERATURE	103-106
WHEELS & TYRES	107-109
TERMS & CONDITIONS	110
TABLE OF CONTENTS	111
HOW TO FIND US	112

**UP TO DATE PRICES CAN BE OBTAINED VIA OUR WEBSITE : [www.flyingspares.com](http://www.flyingspares.com)**

**PLEASE CONFIRM PRICES WHEN PLACING AN ORDER**

**THANK YOU**

# INTRODUCTION

Ben and Lucy Handford founded Flying Spares in 1995. The company had a modest start, run from a mobile office and a single storage container. From the very beginning the aim of Flying Spares has remained consistent - to offer garages and owners of post-1945 Rolls-Royce and Bentley vehicles the widest range of parts, promptly and without compromising on quality.

Over the years the business has grown steadily, to the point where we now employ more than thirty staff and occupy premises large enough to house our enormous stock.

In our early days we developed a reputation for recycling cars and supplying second hand parts.

We still maintain a huge stock of second hand parts and continue to regularly recycle cars and recondition parts in-house; however the supply of new parts has now become the major part of our business.

At Flying Spares we pride ourselves on being able to offer customers the widest choice of parts to suit every budget and every condition of car. Our customers are offered the choice of:

## **New Genuine Parts**

OEM parts supply comes from Crewe under the "Crewe Genuine" trademark.

As one of Bentley's highest spending customers we are able to negotiate good discounts which we endeavour to pass on to our customers.

Parts in this catalogue without a suffix are genuine Bentley Motors parts. For example RG6780.

## **New Aftermarket Parts**

An aftermarket (or pattern) part will be identified as such by the use of a 'P' after the part number. For example RG6780P. Typically an aftermarket part will be:

1. Exactly the same as the OEM part but not sourced from Bentley.
2. Made to exactly the same (or higher) specification than the OEM part but not sourced from Bentley.
3. A part similar to the original which acts as a suitable alternative to the original.

## **Reconditioned Parts**

All of our reconditioned parts carry a minimum 12 month warranty and are overhauled by specialists in their field. Typically a reconditioned part will be sold on an exchange basis so a core unit surcharge will apply.

Reconditioned parts are identified by the addition of an 'R' or 'SXR' after the part number. For example RG6780SXR.

## **Recycled Parts**

We continue to dismantle cars in order to ensure the continued availability of obsolete and highly priced parts. All of our used parts carry a 3 month warranty.

Used parts are identified by a 'U' at the end of the part number. For example RG6780U.

Cars that we are currently recycling or have recently recycled are available to view on our website.

TELEPHONE : 01455 292949 - FAX : 01455 292959 - EMAIL : [sales@flyingspares.co.uk](mailto:sales@flyingspares.co.uk)

WEBSITE : [www.flyingspares.com](http://www.flyingspares.com)

## CHASSIS / VEHICLE IDENTITY NUMBERS

Chassis ranges listed in this manual refer principally to MkVI/ R Type models.  
Please contact us with the chassis number of the car if you are enquiring about parts  
for a Silver Dawn or Silver Wraith


MODIFICATIONS AND APPROXIMATE CHASSIS NUMBER FOR THEIR INTRODUCTION					
Date		MkVI/ R-Type	Silver Dawn	SWB Silver Wraith	LWB Silver Wraith
Nov-46	First MkVI produced	B2AK			
Feb-47	First SWB Silver Wraith produced			WTA1	
	5" dynamo	B426CF		WZB1	
Apr-48	First RR Silver Dawn produced		SBA2		
	Low lift camshaft	B2DA			
	Lucas windscreen wiper motor	B2DA		WDC1	
	3/8" cylinder head studs (previously 5/16")	B95DZ		WDC31	
	LHF window winder	B117DZ			
	Radiator heated demister	B193DZ		WFC1	
	Dip and switch headlamps	B193DZ		WDC38	
	Modified under-seat heater	B193DZ		WDC100	
	Split skirt pistons	B2EY		WDC1	
	Trico windscreen washer	B1FU		WHD1	
Aug-50	Later brake system introduced	B1GT	SCA1	WME1	
	Reduced speed fan	B213GT	LSCA9	WHD77	
	Large bore carburetters (SU)	B83HP			
Jul-51	4.5 litre engine (3 & 5/8" bore), full flow oil filter, 11" clutch	B2MD	LSFC2	WOF1	
	Twin exhaust (RHD cars)	B2MD			ALW1
Jan-52	First LWB Silver Wraith produced				
	Single choke Zenith carburetter			WSG7	
	Side scuttle vents	B29MB	SDB44		
Jun-52	First R Type Continental produced	BC1A			
	Later type headlamp	B169NY	LSHD56		
	3 position heater & demister switches	B311NY	SFC94	WSG45	
	Rear window demister	B311NY			

## CHASSIS / VEHICLE IDENTITY NUMBERS

MODIFICATIONS AND APPROXIMATE CHASSIS NUMBER FOR THEIR INTRODUCTION					
Date		MkVI/ R-Type	Silver Dawn	SWB Silver Wraith	LWB Silver Wraith
Jun-52	First R Type produced	B2RT			
Aug-52	Last MkVI produced	B301PU			
	Bigger boot	B2RT	SKE2		
	Two speed windscreen wiper	B2RT		WVH1	
	6.75 compression ratio head	B93TO	SMF62		
	Flywheel inertia ring on cars with automatic gearbox	B236WH			CLW24
Nov-53	Last SWB Silver Wraith produced			WVH116	
	12/41 rear axle	B1YA	SRH2		
	Twin exhaust system		SRH2		
Jul-54	3 & 3/4 " bore engine (R Type Continental)	BC1D			
Oct-54	4" longer bonnet				BLW39
Feb-55	Last R Type produced	B250ZY			
Apr-55	Last Silver Dawn produced		SVJ133		
Apr-55	Last R Type Continental produced	BC9E			
Oct-55	S Type engine used				ELW1
Dec-56	8:1 compression ratio engine				FLW60
Jan-58	Last LWB Silver Wraith produced				GLW26

### YOUR VEHICLE

ENTER YOUR VEHICLE DETAILS HERE FOR EASY REFERENCE

	CUSTOMER REFERENCE	
MODEL		
YEAR OF MANUFACTURE		
CHASSIS/VIN No		
BODY NUMBER		
BODY COLOUR/CODE		
INTERIOR TRIM CODE		

## ACCESSORIES

### ACCESSORIES

Rolls-Royce key ring	RGC010
Bentley key ring	BYS008
Rolls-Royce tax disc holder	UB16391
Bentley tax disc holder	UB16392
Rolls-Royce coaster	FS38
Bentley coaster	FS39
Gliptone leather cleaner	GT12
Gliptone leather conditioner	GT11

For photos of these parts, plus details of more Rolls-Royce & Bentley accessories  
Please visit our website - [www.flyingspares.com](http://www.flyingspares.com)

### HANDBOOKS & MANUALS

Workshop manual, MkVI/ R Type (Used original)	TSD2292U
Workshop manual MkVI / R Type (Modern reprint)	TSD2292
Parts list, MkVI (Modern reprint)	TSD545
Parts list, MkVI (Used original/ photostat)	TSD545U
Parts list, MkVI (on CD-Rom)	TSD545CD
Parts list, R Type & Continental (Modern reprint)	TSD546
Parts list, R Type & Continental (Used original / photostat)	TSD546U
Parts list, R Type & Continental (on CD-Rom)	TSD546CD
Parts list, Silver Dawn (Used original / photostat)	TSD544U
Parts list, Silver Wraith SWB (Modern reprint)	TSD540
Parts list, Silver Wraith LWB, up to ELW series (Modern reprint)	TSD541
Parts list, Silver Wraith LWB, from ELW series (Modern reprint)	TSD542

We stock a selection of new and used handbooks.  
Please contact us with the VIN and model of your car and we will quote you accordingly or check our website  
[www.flyingspares.com](http://www.flyingspares.com)



# BODY

## BODY MOUNTS

Silentbloc bush, rear body bracket, 4 bolt square (2 per car)	FW250P
Silentbloc bush, side body bracket ( 6 per car)	FB3484P
Silentbloc bush, wheel arch brackets (4 per car)	FW380P
Silentbloc bush, dash to chassis (4 per car)	RF6840

## CHROME MOULDINGS

Moulding above front side lamp	RD4535P
Up to B168NY approx Moulding above head lamp	RD4534P
From B169NY approx Moulding above head lamp	RD7125
Screw, front of headlamp moulding	X1804Z
Screw, rear of headlamp moulding	X1704Z
Headlamp Bezel	CD1717P
Sill moulding	RB2983P
Setscrew, 2BA, tonneau moulding (4 per moulding)	XC151Z
Escutcheon, door moulding RHF	RB5740R
Escutcheon, door moulding LHF	RB7300R
Escutcheon, door moulding RHR	RB2570R
Escutcheon, door moulding LHR	RB2571R
Moulding, centre pillar (x 2)	RB2575P
Moulding, front pillar, RH	RB2584P
Moulding, front pillar, LH	RB2585P
Moulding, rear pillar, RH	RB2582U
Moulding, rear pillar, LH	RB2583P
Moulding, front door (x 2)	RB2576R
Moulding, rear door (x 2)	RB2577R
Chrome grille, horn	RD3254P
Eye, bonnet hinge, behind grille	227210
Moulding, boot handle	RB4163P

# BODY SEALS

Please view our website for detailed diagrams & photos

## WINDSCREEN & BOOT SEALS

MKVI	Seal, boot/trunk (small boot), per metre (4m required)	RH9850P
Silver Dawn & R Type	Seal, boot lid (big boot)	UB1289P
	Seal, windscreen	RB4880P
	Seal, rear screen	RB6160P

## DOOR SEALS

	Seal, door, per metre	RH9850P
	Seal, outer, drop glass to frame (2.4m length to do 4 doors)	UW2120P
	Felt seal, inner, drop glass to wood surround	RB5890P
	Seal, channel, drop glass, per metre (Except front door leading edge - per metre)	RB4623P
	Seal, channel, drop glass, per metre (2m per door)	RB4618P
	Seal, inner draught excluder, per metre (4m per door)	RB3521P
Before B235DZ	Seal, Front quarter light frame to door	RB3601P
	Seal, Front quarter light frame to door	RB5819P
	Seal, channel, quarter light glass	RB4883P

## GENERAL BODY SEALS

	Seal, aerial to roof	CD123P
	Seal, sunroof, front & side (2.4m length)	RB4900P
	Seal, sunroof, rear	RB2511P
	Seal, petrol filler door	RB5864P
	Seal, centre scuttle vent	RB4825P
	Seal, side scuttle vent (x 2)	RB7354P
MkVI	Seal, windscreen wiper spindle	RD4137P
R Type	Sealing washer, wheelbox spindle	RD6717P
	Seal, bumper, over rider	CD916P



# BODY SEALS

Please view our website for detailed diagrams & photos

## LAMP SEALS

MkVI	Seal, headlamp to wing (8 hole)	RD3936RBBR
R Type	Seal, headlamp to wing (11 hole)	RD6700P
	Seal, front side lamp to body	RD4587SEALP
MkVI	Seal, rear number plate carrier	RD5299P
R Type	Seal, reverse/ number plate lamp	CD2245P
MkVI	Seal, rear lamp casing to rear wing	RD3568P
R Type	Seal, rear lamp casing to rear wing	RD6706P

## WING, BONNET & BULKHEAD SEALS

	Webbing, rear of bonnet to bulkhead, per metre (2m required)	RB2539P
	Webbing, side of bonnet to valance plate, per metre (2m required)	RB2539P
	Webbing, bonnet to rear of grille (per metre)	UB1890P
	Piping, front wing to valance plate, per foot (10 feet per wing)	RB7102P
	Piping, bulkhead (2.5m length)	RB3975

## MUD & STONE GUARDS

	Rubber strip, sill strip	RB2533P
	Stoneguard, RHR door	RB3524P
	Stoneguard, LHR door	RB3525P
	Stoneguard, RH sill	RB3826P
	Stoneguard, LH sill	RB3827P
	Mudflap, front wing	RB2547P

## BODY - GRILLE & VANES

### GRILLE & VANES - BENTLEY

MkVI	Flying B mascot	EB2683
R Type	Flying B mascot	RB6242
	Cap, mascot (drilled)	EB3601P
	Town cap (not drilled)	RE9338P
	Webbing, bonnet to rear of grille (per metre)	UB1890P
	Grille shell (to suit 19" x 23" matrix radiator)	RE7559U
	Vanes	RE18040U
	Grille shell (to suit 19" x 21" matrix radiator)	RE4613U
	Vanes	RE4622U
	Badge, flat Bentley - Modern style	UB38354
	Badge, flat Bentley - Original	EB1157U

### GRILLE & VANES - ROLLS-ROYCE

	Rolls-Royce grille badge	E81957
	Kneeling lady mascot	EW1747
	Cap, mascot	E61148U
Silver Dawn	Grille shell	RE9677U
Silver Dawn	Vanes	RE9670U
Silver Wraith	Calorstat	E87157P
	Gasket, calorstat to tank	E88993

## BODY - BONNET & BOOT LID

### BONNET

Lock & key, Vaughan, bonnet	E56084U
Handle, bonnet	RB2482P
Bonnet stay assembly, RH	RE18377
Clip, bonnet stay	RE4481P
Webbing, rear of bonnet to bulkhead, per metre (2m required)	RB2539P
Webbing, side of bonnet to valance plate, per metre (2m required)	RB2539P
Webbing, bonnet to rear of grille (per metre)	UB1890P
Silentbloc bush, mounting bracket, dash to chassis (4 per car)	RF6840
Key (Cut to your key number)	RH7492CUTP

### BOOT LID

#### MkVI

Boot lid panel (small boot)	327085U
Hinge, boot lid (2 required)	RB2477
	RB2477U
Seal, boot/trunk , per metre (4m required)	RH9850P
Chrome moulding, boot handle	RB4163P
Boot handle, including escutcheon, no lock	RB4460

#### R Type & Silver Dawn

Boot lid panel (big boot)	327403U
Hinge, boot lid RH	227360U
Hinge, boot lid LH	227361U
Boot handle	RB6186P
Chrome catch, luggage strap	RB5860U
Seal, boot lid	UB1289P
Key (Cut to your key number)	RH7492CUTP

## BODY - SUN ROOF & BUMPER

### SUN ROOF

Sun roof panel	327073U
Seal, sunroof, front & side (2.4m length)	RB4900P
Seal, sunroof, rear	RB2511P
Screw, sun roof seal retaining	RB7371P
Handle, sun roof	RB5746P
Hose, roof drain (4 per car)	RB2532
Clip, sunroof lining	RB5155P
Retainer, sunroof lining clip	UB2302P

### FRONT BUMPER

#### Standard bumper

Bumper assembly (2 x quarter bumpers, 2 x over-riders in Stainless steel)	RF5239P
Over-rider, LH	RF4495P
Over-rider, RH	RF4494P
Quarter bumper, RH & LH	RF4450P
Number plate plynth	RF4463P
Seal, bumper to over-rider, per metre (1m for front bumper)	CD916P
Fairing, LH	RF4505U
Fairing, RH	RF4504U
Fairing, centre	327088

#### Heavy Wilmot Breedon bumper

Over-rider, LH	RF8115P
Over-rider, RH	RF8116P
Quarter bumper, RH & LH (60 cm long)	RF8108
Quarter bumper, RH & LH (63 cm long)	RF7758
Number plate plynth	RF8191U
Chrome mouldings, upper & lower, number plate plynth	RF8169
Fairing, LH to take fog lamp	RF7515
Fairing, RH to take fog lamp	RF7514

## BODY - BUMPER & DOORS

### REAR BUMPER

MkVI	Rear bumper (Bar & over-riders in Stainless steel)	RF8077P
MkVI	Bumper bar, MkVI	RF8077U
MkVI	Over-rider, LH & RH	RF9916P
R Type	Bumper bar, R Type	RF9908P
R Type	Over-rider, rear	RF8145
	Badge, Bentley, rear bumper	UR1559
	Badge, Rolls-Royce, rear bumper	UB12399
	Plynth, Rolls-Royce, rear bumper	RF8141P
Silver Wraith	Bumper bar, Silver Wraith	RF8137

### FRONT DOORS

	Door shell, RHF	327040U
	Door shell, LHF	327041U
	Handle, internal, door opening	RB2418U
	Handle, exterior, with lock	RB7298P
	Handle, exterior, without lock	RB4765P
	Lock & key assembly, RHF door	RB3935U
	Lock & key assembly, LHF door	RB3648U
From B237DZ on	Check arm, LH door	RB5755
From B237DZ on	Check arm, RH door	RB5756
	Seal, outer, drop glass to frame (2.4m length to do 4 doors)	UW2120P
	Slide bracket, vertical arm rest adjustment	RB4650U
	Adjuster assembly, arm rest to slide bracket	RB4651U
	Clip, door panel	RB3759P
	Retainer, door panel clip	UB2302P

## BODY - DOORS

### FRONT DOORS

	Handle, quick lift window regulator	RB2432U
	Escutcheon, below window regulator handle	RB2433U
	Regulator, quick lift, RH	RB7130U
	Regulator, quick lift, LH	RB7131U
	Adapter plate, quick lift regulator	RB4914
	Handle, window winder	RB2462U
Up to B225CD	Window lift mechanism LH	RB2761U
B255CD to B205EW	Window lift mechanism RH	RB2458U
B255CD to B205EW	Window lift mechanism LH	RB2459U
From B207EW on	Window lift mechanism RH	RB4910U
From B207EW on	Window lift mechanism LH	RB4911U
From B207EW on	Drop glass, LH & RH front	RB4836U
	Seal, drop glass runner (per metre)	R99P
	Seal, quarter light glass channel	RB4539
	Repair panel, lower front door, RH	M60DOORREPRHF
	Repair panel, lower front door, LH	M60DOORREPLHF
	Seal, quarter light glass channel	RB4883P



## BODY - DOORS, DASH & WINDSCREEN

### REAR DOORS

	Door shell, LHR	RH7912U
	Door shell, RHR	RH7911U
	Handle, internal, door opening	RB2418U
	Handle, exterior, without lock	RB4765P
From B237DZ on	Check arm, LH door	RB5755
From B237DZ on	Check arm, RH door	RB5756
	Window lift mechanism RH	RB2458U
	Window lift mechanism LH	RB2459U
	Handle, window winder	RB2462U
	Drop glass, LH & RH	RB4831U
	Seal, drop glass runner (per metre)	R99P
	Seal, outer, drop glass to frame (2.4m length to do 4 doors)	UW2120P
	Stoneguard, RHR door	RB3524P
	Stoneguard, LHR door	RB3525P
	Repair panel, lower, rear door RH	M60DOORREPRHR
	Repair panel, lower, rear door LH	M60DOORREPLHR

### DASHBOARD & INTERIOR TRIM

	Handle, grab, on dashboard & rear of front seats	RB2484
	Mirror, rear view, roof mounted	RB5399U
	Mirror, rear view, dash mounted	RB5837P
	Ash tray assembly, rear arm rest	RB3582U
	Clip, sun visor	RB7239U

### WINDSCREENS

	Windscreen	RB2494P
	Seal, windscreen	RB4880P
	Rear screen, non-heated	RB2466P
	Rear screen, heated	RB7413U
	Seal, rear screen	RB6160P
	Wood surround, rear screen	RW2122U

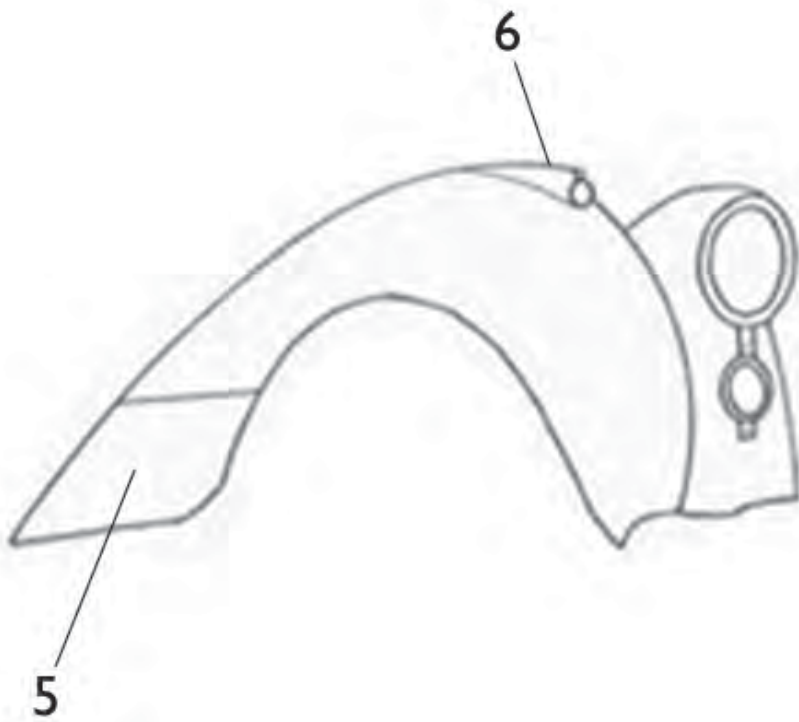
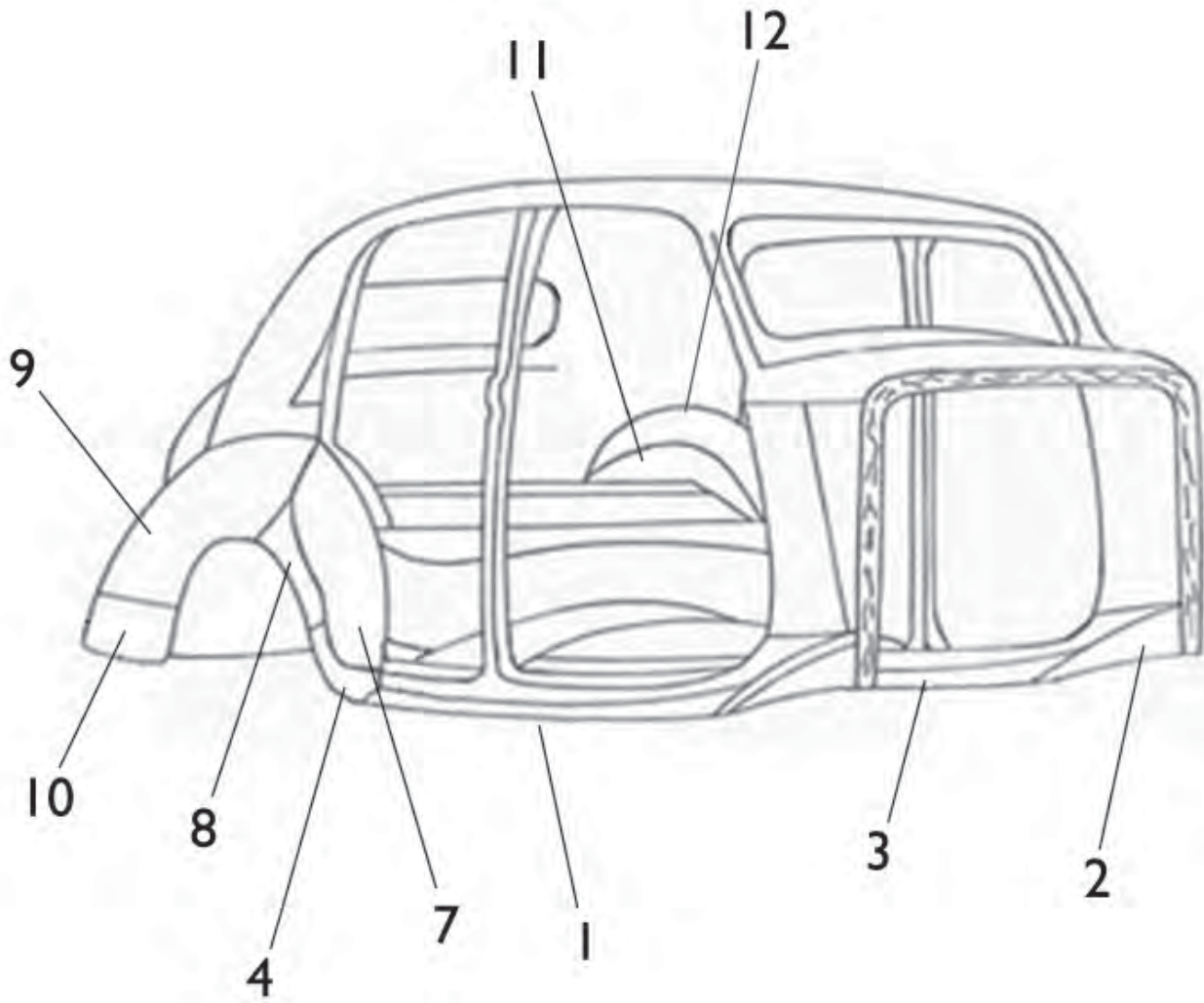
# BODY REPAIR PANELS

## MkVI PANELS

See Diagram (Page 16)

Outer sill, RH	1	M6OSILLRH
Outer sill, LH	1	M6OSILLLH
Inner brace panel, front of RH sill	2	M6SILLBRRH
Inner brace panel, front of LH sill	2	M6SILLBRLH
Inner sill, RH	3	M6ISILLRH
Inner sill, LH	3	M6ISILLLH
Fillet panel, rear of sill, RH	4	M6SILLFILLRH
Fillet panel, rear of sill, LH	4	M6SILLFILLH
Front wing, lower rear repair section, RH	5	M6FWREARRH
Front wing, lower rear repair section, LH	5	M6FWREARLH
Front wing, sidelamp nacelle, RH	6	M6FWNACRH
Front wing, sidelamp nacelle, LH	6	M6FWNACLH
Door shut panel, front of rear wheelarch, RHR	7	M6WADSRHR
Door shut panel, front of rear wheelarch, LHR	7	M6WADSLHR
Dogleg panel, RH rear wheel arch (MkVI only)	8	M6WADLRHR
Dogleg panel, LH rear wheel arch (MkVI only)	8	M6WADLLRH
Rear wing panel, to swage line, RH	9	M6WARHR
Rear wing panel, to swage line, LH	9	M6WALHR
Rear wing, lower repair panel, RH (MkVI only)	10	M6RWLRRH
Rear wing, lower repair panel, LH (MkVI only)	10	M6RWLRLH
Spat, RHR wing (not shown)		RB4560P
Spat, LHR wing (not shown)		RB4561P
Rear wing, inner wheel arch, RH	11	M6RWIWARH
Rear wing, inner wheel arch, LH	11	M6RWIWALH
Rear wing, outer wheel arch, RH (MkVI only)	12	M6RWOWARH
Rear wing, outer wheel arch, LH (MkVI only)	12	M6RWOWALH
Body mount, RHR (not shown)		M6RBMRH
Body mount, LHR (not shown)		M6RBM LH
Rear panel, below boot lid (not shown)		M6RP
Front door lower, outer repair panel RH (not shown)		M6ODOORREPRHF
Front door lower, outer repair panel LH (not shown)		M6ODOORREPLHF
Rear door lower, outer repair panel RH (not shown)		M6ODOORREPRHR
Rear door lower, outer repair panel LH (not shown)		M6ODOORREPLHR

# BODY REPAIR PANELS



# BODY REPAIR PANELS

R TYPE PANELS (Where different to MkVI)

See Diagram (Page 16)

Rear wing panel, to swage line, RH (R Type only - includes dog leg)	9	RTWARHR
Rear wing panel, to swage line, LH (R Type only - includes dog leg)	9	RTWALHR
Rear wing, outer wheel arch, RH (R Type only)	12	RTRWOWARH
Rear wing, outer wheel arch, LH (R Type only)	12	RTRWOWALH
Rear wing, lower repair panel, RH (R Type only)	10	RTRWLRRH
Rear wing, lower repair panel, LH (R Type only)	10	RTRWLRLH

## COMPLETE WINGS

RH Front wing	402700104
LH Front wing	402700107

## BRAKES

### BRAKE SHOES & DRUMS

Pre GT series	Brake shoe, front & rear (2 per wheel)	RG5353SXR
Pre GT series	Brake drum, front and rear	RG3212AP
		RG3212AUA1
From GT series on	Brake shoe, front (2 per wheel)	RG6924SXR
	Brake shoe, rear (2 per wheel)	RG5353SXR
From GT series on	Brake drum, front	RG6780P
		RG6780A1U
	Brake drum, rear	RG6018P
		RG6018U
	Screw, brake drum	RG4444P
	Lining, all brake shoes (including rivets)	RH12845P
	Rivet, brake lining (12 per lining)	R4094P
	Spring, upper between shoes (expander side) for RG5353	RG6991
	Spring, lower between shoes (adjuster side) for RG5353	GB3808P
	Spring, pull-off for RG6924 shoe	RG5635P
	Link piece, spring to shoe	RG5637P
	Spring, lower for RG6924	RG6175P
	Brake shoe alignment tool	RH627P

### BRAKE FLUID, HANDBRAKE CABLES & PEDAL RUBBERS

Brake fluid	RR363L1
Clutch & brake pedal rubber, Bentley	RF4281
Clutch & brake pedal rubber, RR	RF4282
Handbrake cable (RHD)	RG3716P
Handbrake cable (LHD - MkVI)	RG6012
Handbrake cable (LHD - R Type)	RG7417
Handbrake cable (LHD-SWB Silver Wraith)	RG6032

### BRAKE LIGHT SWITCH

Switch assembly, brake light	DW236U
Plunger, brake light switch	DW233A
Contact, brake light switch	DB525

### BRAKE HOSES

Front brake hose (1 per wheel)	RG8484P
Copper washer, brake hose (1 per hose)	RG5779P

# BRAKES

## FRONT WHEEL CYLINDERS

### Up to GT series

Wheel cylinder, front (1 per wheel)	RG3395P
	RG3395U
Seal, main internal seal (1 per cylinder)	RG3391
Dust cover (1 per cylinder)	CK2361P
Seal, wheel cylinder to back plate (1 per cylinder)	R7086P
Bleed nipple (1 per cylinder)	RG7050P
Plunger (2 per cylinder)	GB4177

### From GT series on

Wheel cylinder, front RH (1 per wheel)	RG7059P
	RG7059SXR
Wheel cylinder, front LH (1 per wheel)	RG7060P
	RG7060SXR
Dust cover (2 per cylinder)	RG6183
Cup seal (2 per cylinder)	RG5254
Piston (2 per cylinder)	RG6206P
Spring (1 per cylinder)	RG5256P
Spreader (2 per cylinder)	RG5255P
Bleed nipple (1 per cylinder)	RG5253P
Seal, wheel cylinder to back plate (1 per cylinder)	RG4310P
Jaw and pin (uprated) (1 per cylinder)	RG8490P

## REAR WHEEL EXPANDERS

Expander, rear RH & LH (body & pistons only)	RG5567/8P
Seal, expander to back plate	RG3199P
Dust cover (1 per cylinder)	CK2361P



# BRAKE SERVO & MASTER CYLINDER

## BRAKE SERVO

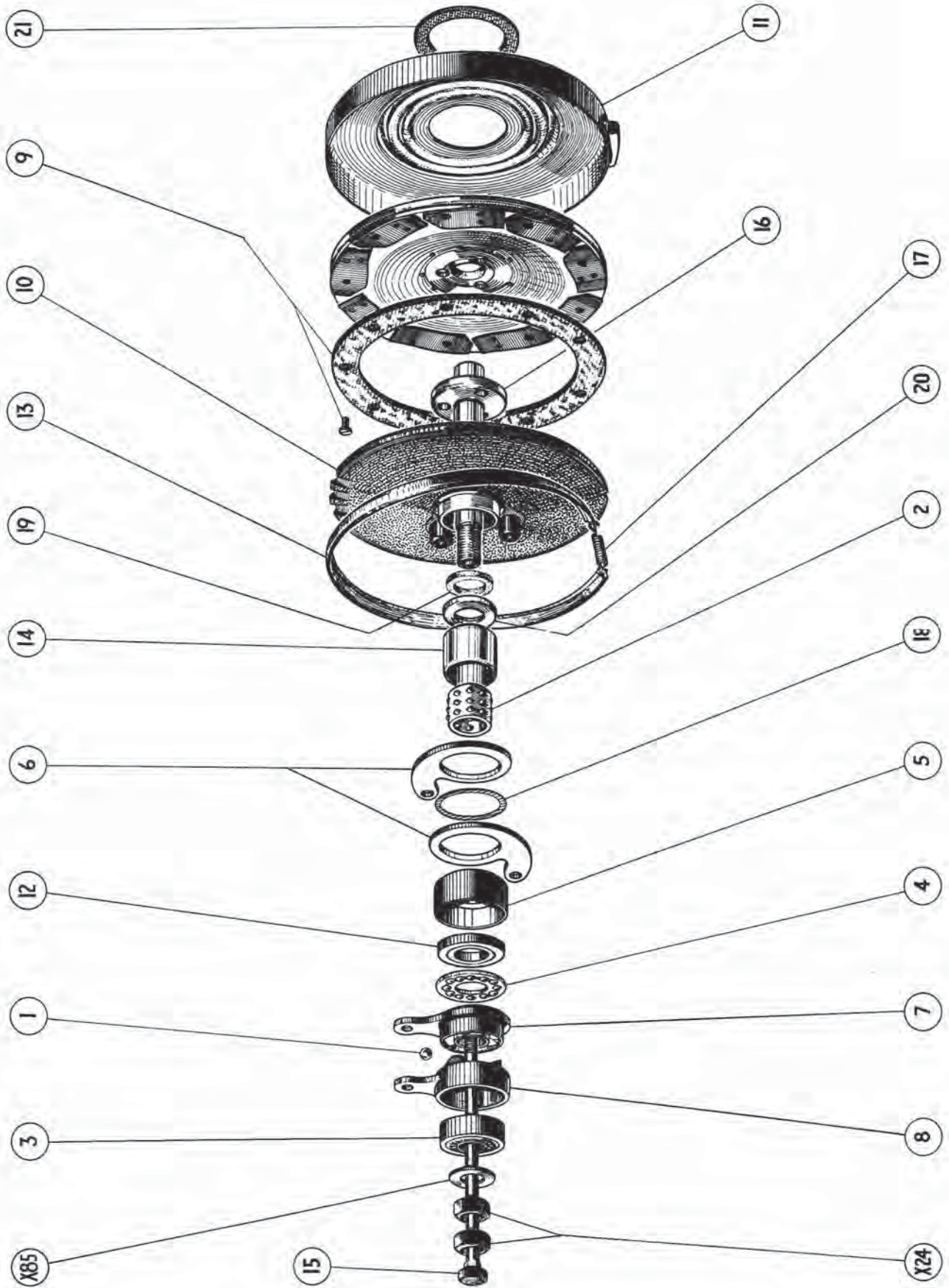
See Diagram Page 21

Brake servo assembly, reconditioned exchange		RG4390SXR
Friction washer, servo cover plate	21	UG2936
Cover plate (including friction washer)	11	UG3528P
Rubber seal, inside servo cover plate (not shown)		RH377P
Servo lining & rivets	9	UG4372P
Rivet, servo lining (x 9)		UG3849
Jubilee clip (modern equivalent)	13	UD6185P
Sealing band (inside jubilee clip)		UG2140P
Felt seal	19	D54399P
Washer, oil retaining	20	GB4171
Bearing assembly, pressure plate	2	RH210
Ball bearing (for bearing RH210,24 per bearing)		RG6209
Dust cover, thrust bearing	5	RG3939
Thrust bearing	12	RH8937
Bush, inside lever arm	7	GB3546
Ball bearing, 5/16", between levers (x 3)	1	RG6131
Oil seal, brake servo to manual gearbox (not shown)		RG7027P
Gasket, brake servo to manual gearbox (not shown)		RG3000
Oil seal, brake servo to automatic gearbox (not shown)		RG6640P
Baffle plate, servo protection		RG6978U

## MASTER CYLINDER

Master cylinder assembly, new		RG5782P
Master cylinder assembly, reconditioned exchange		RG5782SXR
Master cylinder body only, new		RG5782BODY
Seal kit, master cylinder		RG7028P
Valve, master cylinder		R3953P
Copper washer, master cylinder outlet		RG5779P
Gasket, master cylinder filler cap		RG7054
Filler cap, master cylinder		RG7049P
Pull-off spring, master cylinder		GB5097P
Master cylinder piston kit		RG5782KIT

# BRAKE SERVO



ALL DIAGRAMS REPRODUCED WITH KIND PERMISSION OF BENTLEY MOTORS LIMITED - COPYRIGHT OF BENTLEY MOTORS LIMITED

## COOLING SYSTEM - HOSES

### HOSES

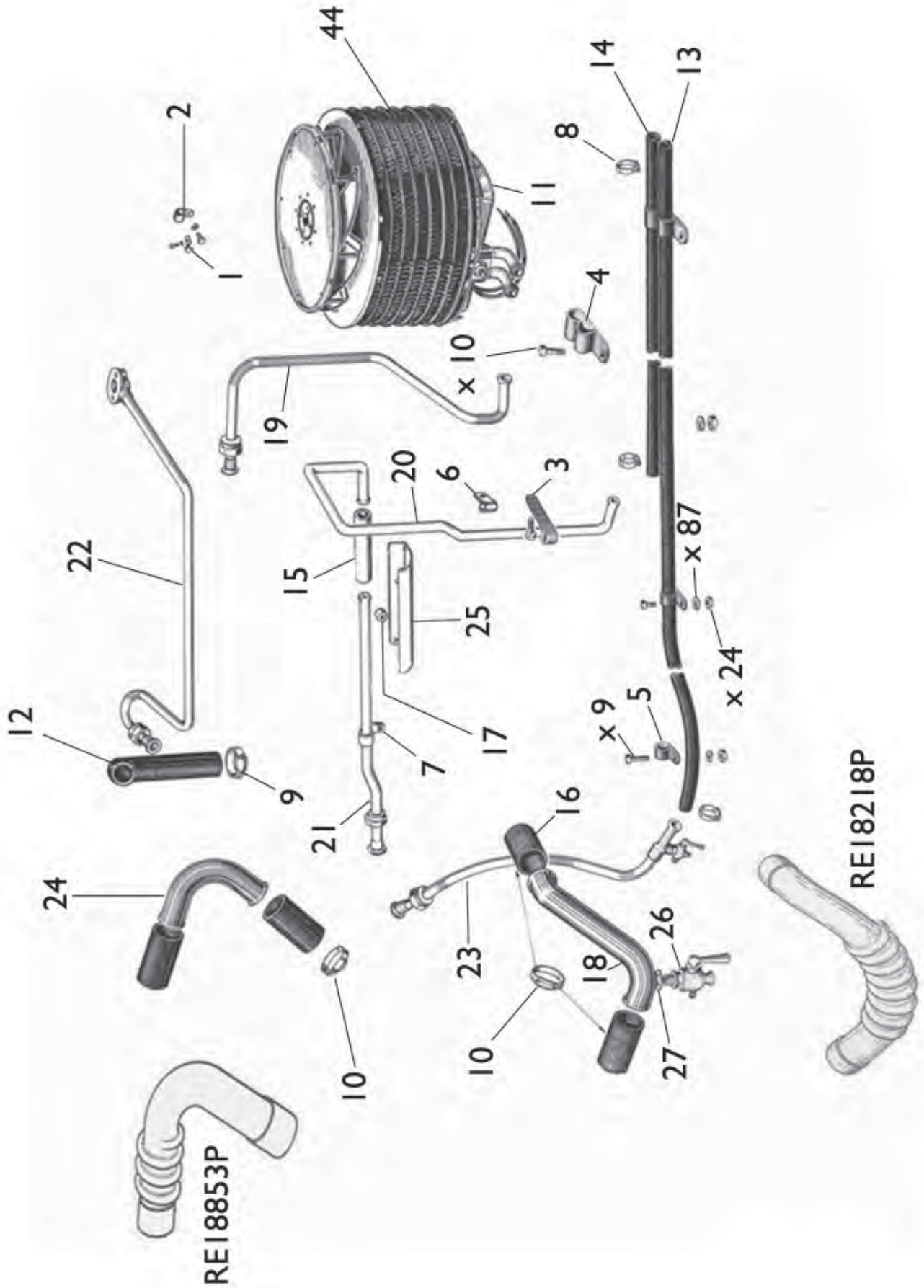
See Diagram Page 23

	Hose, bypass	12	RE12659P
	Hose, top & bottom, short (where solid pipe is also fitted) - 4 per car	16	RE3589P
	Hose, top, long (where no solid pipe is fitted)		RE18853P
	Hose, bottom, long (where no solid pipe is fitted)		RE18218P
	Hose, feed, heater, cylinder head to dash (straight hose)	15	RD7337
	Hose, heater, feed, cylinder head to dash	14	RE4742P
	Hose, return heater to water pump pipe (per metre)	13	RE5748P
Z series R Type	Hose, demister return pipe to heater return pipe		KB6528
	Heat shield, heater hoses	25	RE10423P

### HEATER SYSTEM

MkVI	Blower motor		RD4998SXU
R Type	Blower motor		RD6980U
	Hose, connecting, demister pipes		RD6071
	Grommet, demister cable		RD7476
	Dash knob, demister control "M"		RD8078U
	Heater, underseat	44	RD6924P
	Motor, underseat heater		RD6924MOTU
	Ducting, heater matrix cover		RB5910U
From B2TN on	Diaphragm, heater tap		RE18485DP

# COOLANT HOSES





# COOLING SYSTEM - WATER PUMP

## WATER PUMP BACK PLATE & GASKETS

See Diagram Page 25

Gasket, water pump to back plate	9	EB4204P
Back plate, water pump	13	RE5771P
Adapter, water pump to engine		RH8822
Water pump back plate to adapter gasket		RH12904P
Water pump adapter to crankcase gasket (4.25 litre & early 4.5 litre)		EB4219P
Water pump adapter to crankcase gasket (late 4.5 litre engine)		RH12792P

## INTERNAL WATER PUMP COMPONENTS

See Diagram Page 25

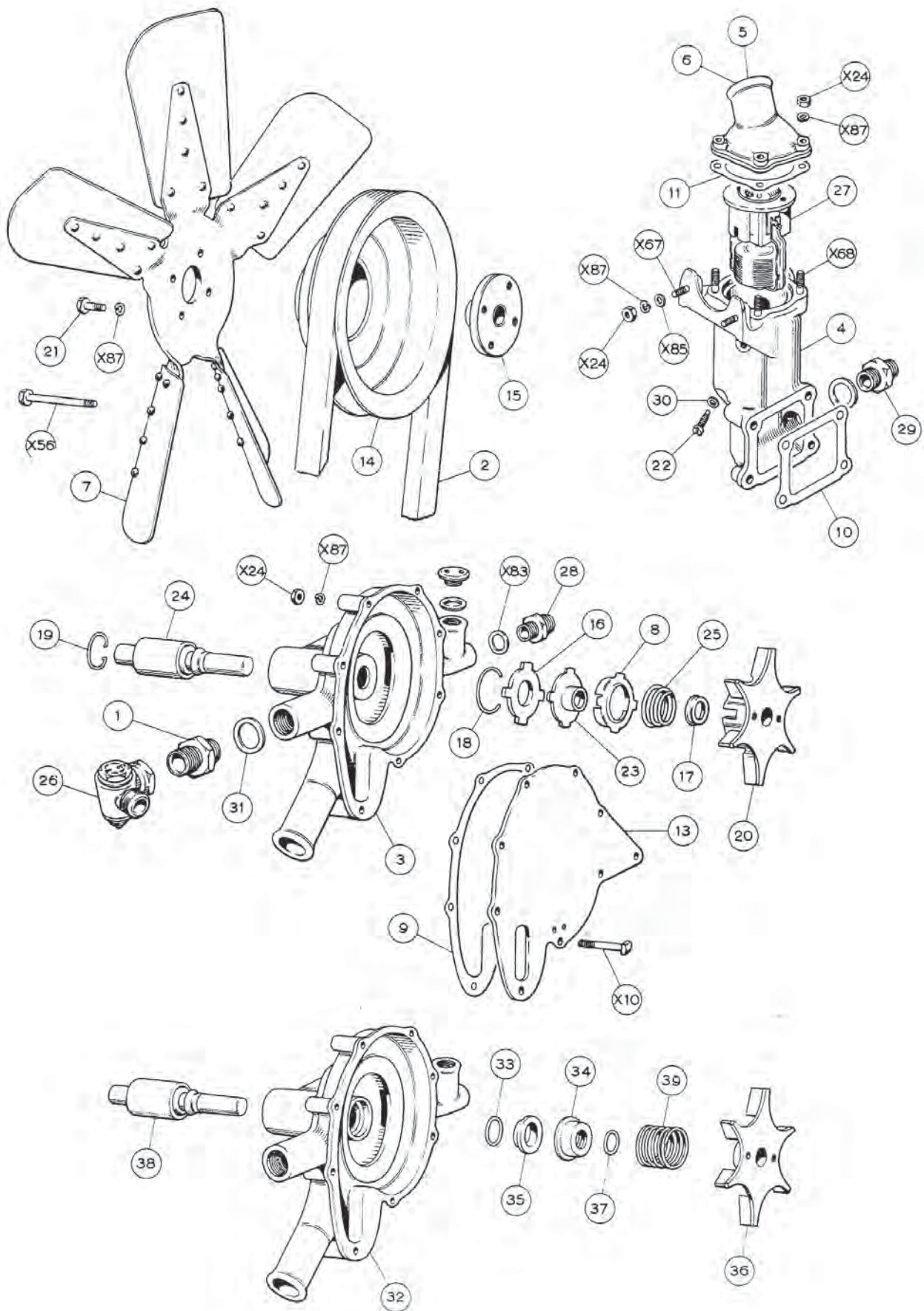
Spindle & bearing, water pump	24	UE597P
Circlip, spindle	19	RE2025P
Ring, spring, rotor gland	18	RE6869P
Carbon gland	16	RE12281P
Seal, rotor gland	23	RE19856P
Housing, seal	8	RE6870
Spring	25	RE2024P
Rotor, early	20	RE12280P
As above except for the following fitted to "flexibox seal" water pumps		
Cover, seal	33	UE570P
Ring, seal, stationary	35	UE541P
Ring, seal, rotary	34	UE540P
Seal	37	UE571P
Spring	39	RE23699
Rotor, late	36	UE569P

## WATER PUMP

The easiest way to identify which water pump is fitted to your car is by the part number that is cast into the casing of the pump (shown in brackets below)

Up to B377DZ approx	Water pump(including gasket), reconditioned exchange (casing RE3635)	RE2602ASXR
B377DZ to B213GT approx	Water pump(including gasket), reconditioned exchange (casing RE4757)	RE12969SXR
From B213GT approx	Water pump(including gasket), reconditioned exchange (casing RE11269)	RE12970SXR
Late	Water pump(including gasket), reconditioned exchange (casing RE20981)	RE20998SXR

# COOLING SYSTEM



ALL DIAGRAMS REPRODUCED WITH KIND PERMISSION OF BENTLEY MOTORS LIMITED - COPYRIGHT OF BENTLEY MOTORS LIMITED



# COOLING SYSTEM

## FAN BELTS & PULLEYS

See Diagram Page 25

Up to B213GT approx	Pulley, high speed	14	RE19043P
From B213GT approx	Pulley, low speed	14	RE11270
Up to B213GT	Fan belt, 4.25 litre engines	2	RE20941P
From B213GT to B325YA	Fan belt, 4.5 litre engines	2	RE20950P
Up to B213GT approx	Adapter, pulley to pump	15	RE4737
From B213GT approx	Adapter, pulley to pump	15	RE11272P
	Fan	7	RE6060U

## THERMOSTAT

See Diagram Page 25

Thermostat	27	RH9143
Thermostat	27	RH9143P
Thermostat cover gasket	11	RH12900P
Thermostat cover	6	RE3625P
Thermostat housing to cylinder head gasket	10	EB4004P
Extraction tool, thermostat		RH639P
Loan of Extraction tool, thermostat		RH639LOAN

## RADIATOR

	Radiator support rubber	RF1313P
	Filler cap, radiator	RE11320
	Seal, radiator filler cap	EW1666P
Up to B268DA	Radiator, 19" x 21" matrix	RE3691SXR
B268DA to B-TO	Radiator, 19" x 23 " matrix	RE13737SXR
From B-TO on	Radiator	RE18342SXR
	Valve, steam escape	RE7868
	Washer, valve body	XB1081R
	Plug, valve body	XB1063
	Coolant (5 litres)	UE70936L5

# ELECTRICAL

## FUSE BOARD

Base, fuse board	RD6685U
Cover, fuse board	RD3032U
Clip, cover to base	RD6686U
Fuse, bakelite	RD3686
	RD3686AU
Holder (card), spare fuse wire	DW432P
20 amp fuse wire (36m reel)	20AMPFUSEWIRE

## JUNCTION BOXES

Junction Box, 4 way	RD3085
Junction Box, 6 way	RD3086U

## CIGAR LIGHTER

Cigar lighter, "Cat's eye"	RD4157P
Cigar lighter, companion	RD3479U

## DYNAMO & REGULATOR

Up to B424CF approx	Dynamo 4.5", Lucas C45 (round body)	RD3006SXR
From B425CF approx	Dynamo 5", Lucas RA5 (square body)	RD7567SXR
	Brush set	RD6158P
	Voltage regulator	RE10621P

## HORNS

Horn, low tone	RD3206U
Horn, high tone	RD4265U
Chrome grille, horn	RD3254P
Relay, horn	RH8065

# ELECTRICAL

## BATTERY

Tube nut, battery retaining	RD4357P
Metal cover, battery, under drivers seat	327128U

## STARTER SWITCH & SWITCHBOX

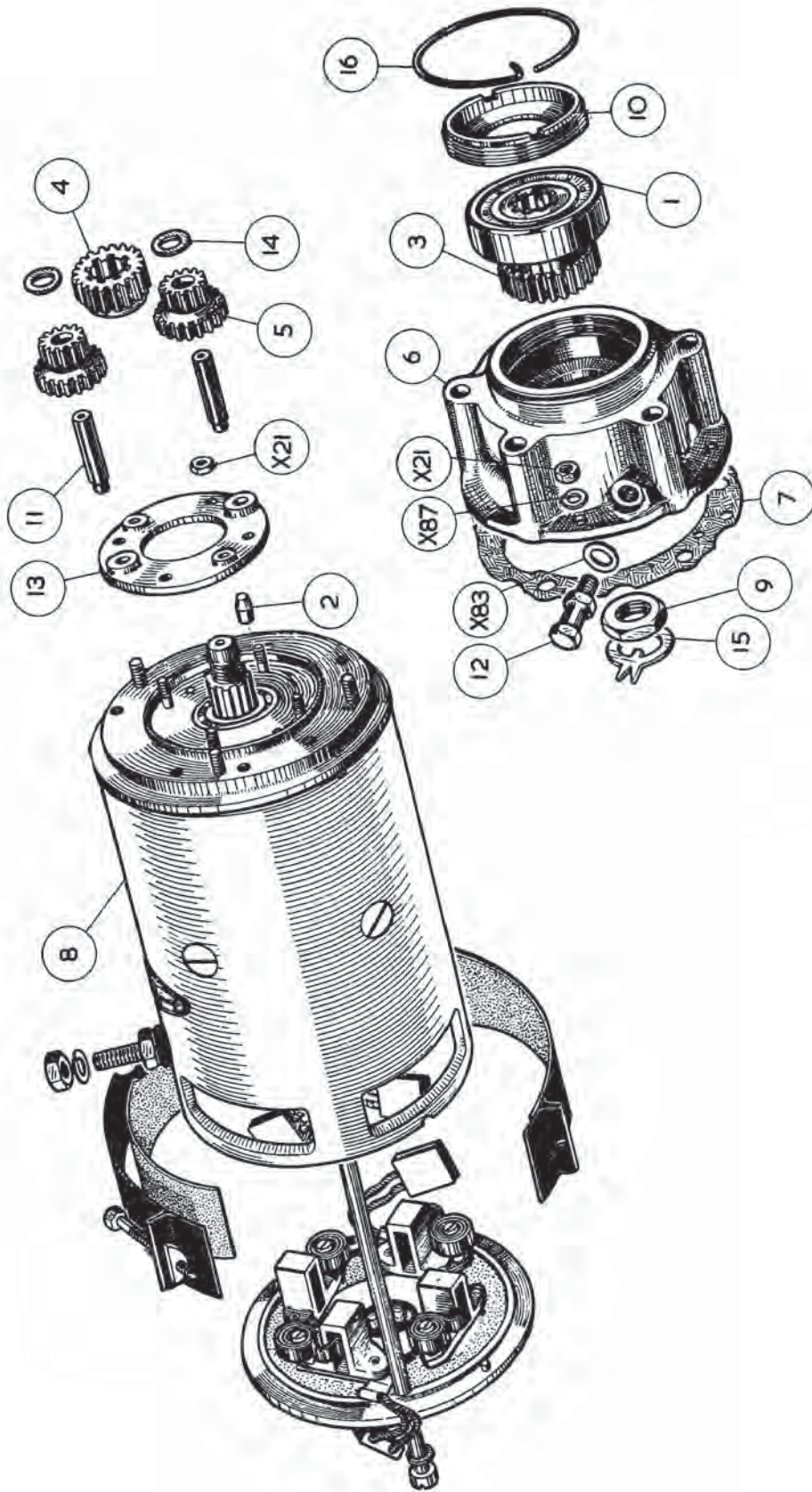
Starter switch (original push button type)	UD4181P
Starter switch (modern replacement)	RH8312
Switchbox	RD3057U

## STARTER MOTOR

See Diagram Page 29

Starter motor (Manual gearbox)	8	RD3127SXR
Starter motor (Automatic gearbox)	8	RD8542SXR
Bearing, driven gear	1	RD3957
Locktab, armature shaft	15	UD4632
Nut, armature shaft	9	RD3129
Plug, lubrication hole	12	RD5129
Washer, lubrication hole	X83	XB1077
Gear, driving shaft	4	DB986
Gear, idler (2 per motor)	5	DB987
Bearing pin, idler gear (2 per motor)	11	DB857
Brush set		RD4384P
Retaining bracket, to bell housing (not shown)		RE18226P

# ELECTRICAL - STARTER MOTOR



ALL DIAGRAMS REPRODUCED WITH KIND PERMISSION OF BENTLEY MOTORS LIMITED - COPYRIGHT OF BENTLEY MOTORS LIMITED

# ELECTRICAL - STARTER DRIVE

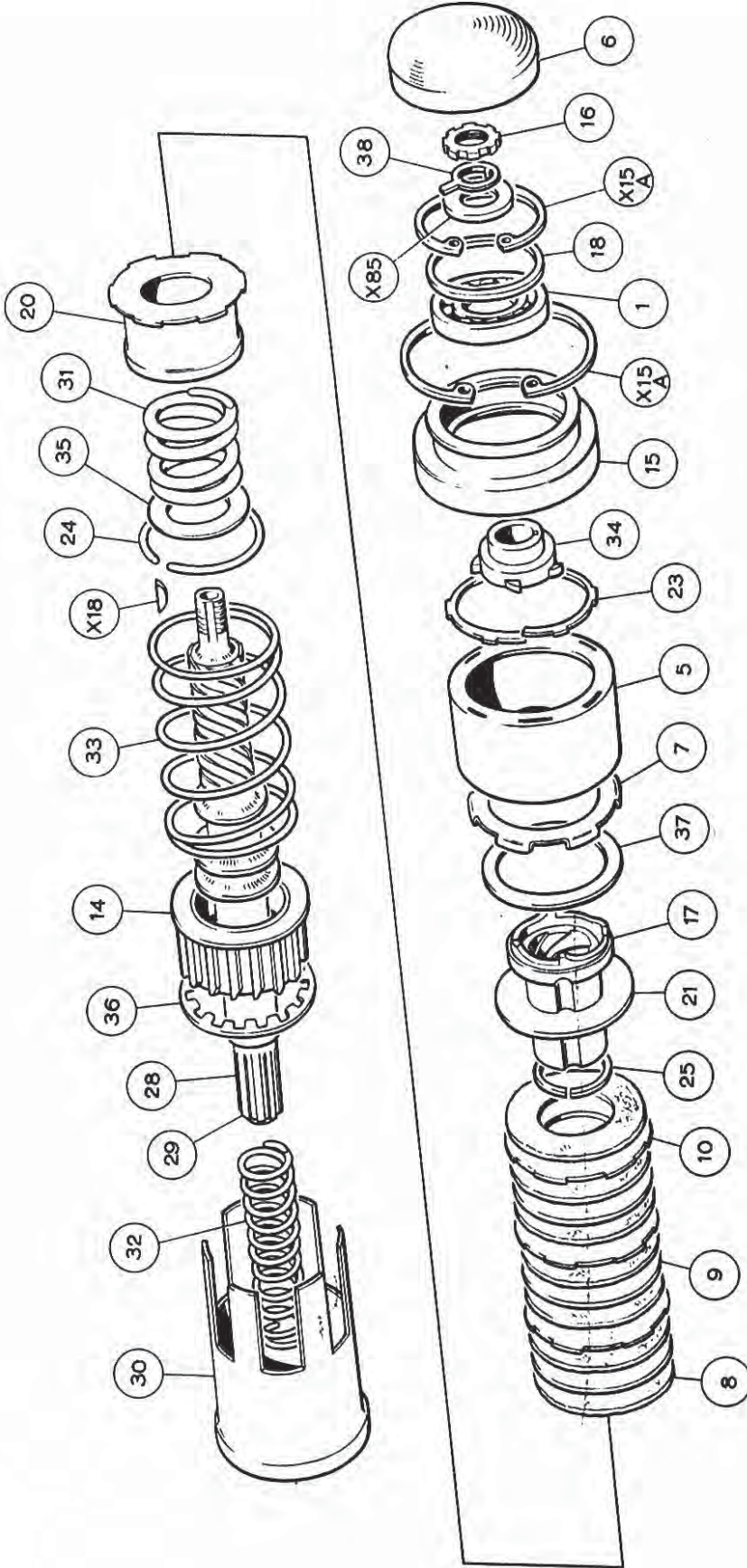
## STARTER DRIVE/BENDIX

See Diagram Page 31

Starter drive assembly		DB2307U
Shell	30	D54612P
Bearing	1	RD7530
Cover, clutch	5	DB366
Friction disc, clutch (7 per drive)	8	RD3726P
Disc with spigot, clutch (3 per drive)	9	RD3727
Disc without spigot, clutch (3 per drive)	10	D51584P
Gear assembly	14	DB1185AU
Fibre washer, pinion to shell	36	D50908P
Locking ring, cover to shell	23	D50911
Locking washer	38	D51590
Fibre washer, outer plate to cover	37	D51589P
Spring, driving	31	DB81
Washer, damper spring retaining	35	DB1675
Spring ring, damper spring washer retaining	24	D51139
Woodruff key	X18	XC500R
Spring, engaging	33	D51566
Spring, damper	32	DB2098P
Plate, clutch outer	21	D51585
Nut	16	G8753
Stop, operating	34	DB1674
Operating nut, starter drive	17	DB2271
Spring ring, outer clutch plate retaining	25	D72370
Cover, end of starter drive	6	RD8207



ELECTRICAL - STARTER DRIVE



ALL DIAGRAMS REPRODUCED WITH KIND PERMISSION OF BENTLEY MOTORS LIMITED - COPYRIGHT OF BENTLEY MOTORS LIMITED



## ELECTRICAL - LIGHTS

### CENTRE FOG LAMP

Lamp assembly	RD5141P
Bulb, 12V 48W	RF4516P
Pedestal	RD3255P
Hinged flap	RD3256P
Pin between pedestal and hinged flap	RD3240
Spring, hinged flap	RD3709P
Anchor, spring,hinged flap	RD3710

### FRONT SIDE LAMP

Side lamp assembly	RD4587P
Bulb	RD5085P
Seal, side lamp to wing	RD4587SEALP

### HEADLAMP

Headlamp, Bentley	RD7009P
Headlamp, RR	RD5681P
Bulb	UD3970P
Bulb 12V 48W, original type	RF4516P
Dipswitch, headlamps	RD8143P
	DB2360U
Rubber cap, dipswitch	RD5153
Bezel, headlamp	CD1717P
Bulb, double filament, 50/40W	RD5296P

## ELECTRICAL - LIGHTS

### TRAFFICATOR

Trafficator lamp	RD3211SXR
Bulb 12V, festoon	RD4167P
Lens, trafficator	RD7078LNP

### STOP & TAIL LAMP

	Stop & tail lamp assembly (Domed red lens)	RD7066DOMEDP
	Stop & tail lamp assembly (Domed clear lens)	RD7066CONTP
	Bulb	RD6602P
	Casing for rear lamp RH	RD3535AU
	Casing for rear lamp LH	RD3536AU
MkVI	Seal, rear lamp casing to rear wing	RD3568P
R Type	Seal, rear lamp casing to rear wing	RD6706P

### CORNERCROFT NUMBER PLATE LAMP (MkVI)

	Lens, round with concentric rings	RD7890P
	Chrome button, for centre of lens RD7890P	RD7772
	Seal, complete assembly	RD5299P
	Bulb, reverse light 12V 24W	RF4518

### REVERSE & NUMBER PLATE LAMP (R Type)

	Reverse/ Number plate lamp	UD1484
		UD1484U
	Lens	CD126U
	Chrome cover	CD3596P
	Seal	CD2245P
	Bulb x 2	UD1354P
	Bulb x 1	RD4997P

# ELECTRICAL

## ROOF LIGHT

Roof lamp (plain glass)	RD4613
Roof lamp (cut glass)	UD1644U
Bulb, roof light	RF4518
Roof lamp lens (plastic)	CD1570

## INTERNAL BOOT LIGHT

Boot lamp	RD6986U
Bulb, boot lamp	RD4242

## RADIO & AERIAL

Knob, aerial	RD6599P
	RD6599U
Mast, roof aerial	RD6598MAST
Chrome base (2 sections), roof aerial	RD6598P
Aerial assembly (excluding knob and mast)	RD6598AP
Seal, aerial base to roof	CD123P
Radio complete including speaker and receiver	RD3395R
Radio head unit model 4200 (with separate speaker and receiver)	RD7041R
	RD7041U
Receiver/power unit for RD7041	RD7559U
Speaker for RD7041 (square)	RD7560U
Speaker for RD7041 (oval)	RD7220U

## ELECTRICAL

### SWITCHES

Switch, courtesy light	RD3830U
Switch, seesaw, boot lamp & roof lamp	RD3572U
Scintilla switch, indicator	UD1871U
Bakelite knob, scintilla switch	UD1712U
Relay, Lucas DB10, scintilla switch	UD1654P

### WINDSCREEN WIPER MECHANISM (BERKSHIRE)

Early MkVI	Wiper motor, Berkshire	RD3774U
	Gearbox, Houdaille RAD37 (2 per car)	RD3775U
	Wiper arm	RD4139P
	Wiper blade	RD4138P
	Stop, wiper blade	RD4246P

### WINDSCREEN WIPER MECHANISM (LUCAS)

Late MkVI	Wiper arm	RD4139P
	Wiper blade	RD4138P
	Stop, wiper blade	RD4246P
	Wiper motor only, Lucas CRT 75144, RHD	RD5950SXR
	Rubber mount, wiper motor (replaces the individual 3 mounts)	RD6222P
	Grommet, wiper spindle (2 per car)	RD4137P
R Type	Motor (2 speed)	RD6723SXR
	Motor (2 speed), claphand type	RD8199
	Wiper arm, spoon fitting	RD6733P
	Wiper blade, 9" spoon fitting	RD7474P
	Sealing washer, wheelbox spindle	RD6717P
	Wiper rack	RH13051P

### WINDSCREEN WASHER BOTTLE

Washer bottle assembly, including bracket & pump	RF6351P
Washer bottle only	R4139U

## ENGINE

We have tried to list as many of the parts that we are most often asked for. If you cannot find what you are looking for please contact us. We also have stocks of complete engines and parts of engines. We can supply engines either as units for reconditioning, as good second hand running units or units that we can have fully reconditioned and guaranteed. Please contact us if you are interested in a complete engine

### BY-PASS OIL FILTER SYSTEM

By-pass oil filter	CD270P
Rubber seal for by-pass filter (not supplied with filter)	RE20661P

### FULL FLOW OIL FILTER SYSTEM

Full flow oil filter (original felt type including seal)	RH2765P
Seal between top & bottom of oil filter body	RE16060P
Domed nut on top of oil filter assembly	A42994
Locking washer below domed nut	XC484Z
Conversion kit from bypass to full flow (new modern kit)	RH2765MODKIT
Conversion kit from bypass to full flow (used original kit)	RH2765MODKITU
Conversion to spin-off oil filter	RH2765SOKIT

### OIL PUMP & RELIEF VALVE

	Oil pump assembly	RE9863SXU
	Plunger (high & low pressure) inside pressure relief valve ( x 2)	E87823P
Up to MD VIN	Flexible hose, oil pressure relief valve to bulkhead (Long)	RE4812P
From MD VIN	Flexible hose, oil pressure relief valve to bulkhead (Short)	RE14793
	Gasket, relief valve to crankcase	EB3953

## ENGINE

### FAN BELTS

Up to B213GT	4.25 litre engine fan belt	RE20941P
From B213GT to B325YA	4.5 litre engine fan belt	RE20950P

### ENGINE & GEARBOX MOUNTS

Engine mount, front (2 per car)	RF727P
Gearbox rear mount (1 per car)	FW1970P
Gearbox side kidney mounting rubbers (2 per car)	RE9001P
Gearbox tie bar rubbers (4 per car)	RG3428P

### CON RODS (UP TO S SERIES)

Con rod (new)	RE21077
Con rod (used)	RE9469U
Big end bolt	EB2701P
Nut, big end bolt	R7075P

### CON RODS (FROM S SERIES ON)

Con rod	RE17457U
Big end bolt	RE13414P
Nut, big end bolt	RE14185P

### SMALL END BUSHES (all cars)

Small end bush (all engines)	EB5211P
------------------------------	---------



## ENGINE - PISTONS & LINERS

### PISTONS & LINERS (4.25 litre engines)

Piston and rings, standard size (per piston)	RE13784P
Top piston ring, standard	RE26194
Centre piston ring, standard	RE11064
Oil control ring, standard	RE21327P
Cylinder liner, standard size	R3691P
Piston and rings, 0.010" (per piston)	RE13786P
Cylinder liner, +0.010"	UE5423
Piston and rings, 0.020" (per piston)	RE13788P
Piston and rings, 0.025" (per piston)	RE13789P
Piston and rings, 0.030" (per piston)	RE13790P
Piston and rings, 0.040" (per piston)	RE13792P
Piston and rings, 0.045" (per piston)	RE13793P

### PISTONS & LINERS (4.5 litre engines)

Piston and rings, standard size (per piston)	RE14773P
Top ring, standard	RE15787
Centre ring, standard	RE15788
Oil control ring, standard	R5207P
Liner, full length, standard size & +0.010"	RH7900
Piston and rings, 0.010" (per piston)	RE15790P
Liner, full length, standard size & +0.010"	RH7900P
Piston and rings, 0.020" (per piston)	RE15792P
Liner, full length, +0.020"	RH7901
Piston and rings, 0.025" (per piston)	RE15793P
Piston and rings, 0.030" (per piston)	RE15794P
Piston and rings, 0.040" (per piston)	RE15796P
Piston and rings, 0.045" (per piston)	RE15797P

## ENGINE - BEARINGS

### BIG END BEARINGS (4.25 & 4.5 litre engines)

Big end bearing set (standard size)	RE3236SAP
Big end bearing set (0.010" U/S)	RH2100P
Big end bearing set (0.020" U/S)	RE15121SA
Big end bearing set (0.030" U/S)	RH2102P

### MAIN BEARING SETS (4.25 litre engine) Supplied without thrust washers

Main bearing set (standard size)	RH2082P
Main bearing set (0.010" U/S)	RH2087P
Main bearing set (0.020" U/S)	RH2091P
Main bearing set (0.030" U/S)	RH2095P
Main bearing set (0.040" U/S)	RH2486AP

### MAIN BEARING SETS (4.5 litre engine) Supplied without thrust washers

Main bearing set (standard size)	RH2083P
Main bearing set (0.010" U/S)	RH2088P
Main bearing set (0.020" U/S)	RH2092P
Main bearing set (0.030" U/S)	RH2096P
Main bearing set (0.040" U/S)	RH2487AP

### THRUST WASHERS (4.25 & 4.5 litre engines)

Thrust washer upper (2 per engine)	RE14389P
Thrust washer lower (2 per engine)	RE14390P
Locktab for main bearing cap 0.375" (14 per engine)	XB7108P

### CAMSHAFT BEARINGS

Camshaft bearing set (RE210 x 1, RE3892 x 2, EB4146 x 1) (Items 10,11,12 - Diagram E2B - Page 45)	EB4146SAP
------------------------------------------------------------------------------------------------------	-----------

## ENGINE - GASKETS - 4.25 LITRE ENGINE

DECOKE KIT - 4.25 litre engine

The key below refers to the diagrams - E2A, E2B, E4 & E8 (Pages 44,45,46,53)

	Decoke kit for a 4.25 litre engine		RH2198P
	Containing:		
	Head gasket, 4.25 litre engine	40 - E2B	RE19719P
	Rocker cover gasket	13 - E4	RE10477P
	Rocker cover stud bush (3 per engine)	4 - E4	EB3998P
	Inlet manifold gasket (4 per engine)	12 - E4	RH13121P
	Exhaust manifold gaskets (6 per engine)	42 - E2B	EB4039P
	Exhaust manifold to downpipe gaskets (2 per engine)		EB4468P
	Valve stem seals, original cotton type (6 per engine)	8 - E8	EB1886P
	Water pump back plate to adapter gasket	36A - E2B	RH12904P
	Water pump adapter to crankcase gasket	36 - E2B	EB4219P
	Thermostat cover gasket		RH12900P
	Thermostat housing to cylinder head gasket	10 - E4	EB4004P
	Tappet cover gasket (for alloy tappet covers) (2 per engine)	39 - E2B	RE5427P
	Tappet cover gasket (for steel tappet covers) (2 per engine)	39 - E2B	EB4059
	Circlip for valve stems (6 per engine)	14 - E8	EB1747
	Water connection gasket onto inlet manifold (4 per engine)		EB3580P
	Hot spot gasket	11 - E2B	EB3581P
	Distributor housing to crankcase gasket	41 - E2B	EB4042
Up to 81HP	Carburettor to inlet manifold gasket oval (2 per engine)		EB4232P
From 81HP	Carburettor to inlet manifold gasket square (2 per engine)		RE10611P
	End plate gasket (rear of cylinder head), 10 hole	99 - E4	RE3422P
	Washer (4 per engine)		RF3274
	Water pump to water pump back plate gasket		EB4204P
	Washer (Carb float lid filter - 4 per car)		RE20957P
	Fuel filter seal		UR796P
	Washer		WHT002908
	Washer		RE3523
	Hot spot gasket (For cars with a Stromberg carburettor)		RH12896
	Sump plug washer	X83 - E2A	XB1084P

## ENGINE - GASKETS - 4.25 LITRE ENGINE

### SUMP (BOTTOM END) GASKETS - 4.25 LITRE ENGINE

The key below refers to the diagrams - E2A, E2B, E4 & E8 (Pages 44,45,46,53)

Sump gasket	45 - E2B	RE10419P
Sump plug washer	X83 - E2A	XB1084P
Oil level sender gasket	61 - E2A	UE73618P
Oil level sender internal gasket		RF8404I
Oil pressure relief valve to crankcase gasket	43 - E2A	EB3953
Full-flow oil filter adapter gasket to crankcase		RE9425
Rear camshaft cover gasket	44 - E2A	EB4179P
Wooden dowel oil seal rear crank bearing (2 per engine)	56 - E2A	RE7144P
Timing cover gasket	46 - E2B	RE6341P

### TOP END GASKETS (NOT INCLUDED IN DECOKE KIT)

	Oil filler cap cork seal	23 - E4	RE15879P
	Oil filler adapter to rocker cover gasket	22 - E4	RE11319
Up to B81HP	Air intake to carburettor gasket (2 per car)		RH12783
From B81HP	Air intake to carburettor gasket (2 per car)		RH13022P
	Washer (Spark plug)		CD151
	Stromberg carb to inlet manifold gasket		RE16572P
	Valve collet	33 - E8	EB1748P
	Valve stem seal, modified rubber type (6 per engine)		EB1886MODP

### FRONT, REAR & SIDE OF ENGINE GASKETS - 4.25 LITRE ENGINE

	Timing cover gasket	46 - E2B	RE6341P
	Breather to crankcase gasket (oval)	35 - E2B	EB4055P
	Bell housing to engine gasket		UG134P
	Rear camshaft cover gasket	44 - E2A	EB4179P
Late 4.25 Engine	Rear coolant rail cover gasket (9 hole)		RE4911P
	Coolant gallery cover gasket (3 per engine)	99 - E2A	RH12791P

## ENGINE - GASKETS - 4.5 LITRE ENGINE

### DECOKE KIT - 4.5 litre engine

The key below refers to the diagrams - E2A, E2B, E4 & E8 (Pages 44,45,46,53)

Decoke kit for a 4.5 litre engine		RH2205P
Containing:		
Head gasket, 4.5 litre engine	40 - E2B	RH13115P
Rocker cover gasket	13 - E4	RE10477P
Rocker cover stud bush (3 per engine)	4 - E4	EB3998P
Inlet manifold gasket (4 per engine)	12 - E4	RH13121P
Exhaust manifold gaskets (6 per engine)	42 - E2B	EB4039P
Exhaust manifold to downpipe gaskets (2 per engine)		EB4468P
Valve stem seals, original cotton type (6 per engine)	8 - E8	EB1886P
Circlip for valve stems (6 per engine)	14 - E8	EB1747
Thermostat cover gasket		RH12900P
Thermostat housing to cylinder head gasket	10 - E4	EB4004P
Tappet cover gasket (for alloy tappet covers) (2 per engine)	39 - E2B	RE5427P
Water connection gasket onto inlet manifold (4 per engine)		EB3580P
Hot spot gasket	11 - E2B	EB3581P
Distributor housing to crankcase gasket	41 - E2B	EB4042
End plate gasket (rear of cylinder head), 10 hole	99 - E4	RE3422P
From 81HP Carburetter to inlet manifold gasket square (2 per engine)		RE10611P
Washer (4 per engine)		RF3274
Water pump to water pump back plate gasket		EB4204P
Washer		RE3523
Washer		WHT002908
Washer (Carb float lid filter - 4 per car)		RE20957P
Washer (Spark plug)		CD151
Air intake to choke body gasket		RH13025
Water pump back plate to adapter gasket	36A - E2B	RH12904P
Water pump adapter to crankcase gasket early 4.5 litre	36 - E2B	EB4219P
Water pump adapter to crankcase gasket late 4.5 litre engine	36 - E2B	RH12792P
1/4" Locktab (18 per engine)		XB7106RP
Aluminium washer (13 per engine)		XB1076RP
Fuel filter seal		UR796P
Sump plug washer	X83 - E2A	XB1084P



## ENGINE - GASKETS - 4.5 LITRE ENGINE

The key below refers to the diagrams - E2A, E2B, E4 & E8 (Pages 44,45,46,53)

### TOP END GASKETS (NOT INCLUDED IN DECOKE KIT) - 4.5 LITRE ENGINE

Oil filler cap cork seal	23 - E4	RE15879P
Oil filler adapter to rocker cover gasket	22 - E4	RE11319
Breather to crankcase gasket (oval)	35 - E2B	EB4055P
Valve stem seal, modified rubber type (6 per engine)		EB1886MODP
Valve collet	33 - E8	EB1748P
Stromberg carb to inlet manifold gasket		RE16572P

### SUMP & CRANKCASE GASKETS - 4.5 LITRE ENGINE

Sump gasket	45 - E2B	RE10419P
Timing cover gasket	46 - E2B	RE6341P
Rear coolant rail cover gasket (9 hole)	100 - E2A	RE4911P
Rear coolant rail cover gasket (6 hole)	100 - E2A	RH12902P
Coolant gallery cover gasket (3 per engine)	99 - E2A	RH12791P
Rear camshaft cover gasket		EB4179P
Rear camshaft cover gasket	44 - E2A	RH14292
Breather to crankcase gasket (oval)	35 - E2B	EB4055P
Wooden dowel oil seal rear crank bearing	56 - E2A	RE7144
Bell housing to engine gasket		UG134P
Oil pressure relief valve to crankcase gasket	43 - E2A	EB3953
Full-flow oil filter adapter gasket to crankcase		RE9425
Oil level sender gasket	61 - E2A	UE73618P
Oil level sender internal gasket		RF8404I
Sump plug washer	X83 - E2A	XB1084P













## ENGINE - CYLINDER HEAD

### CYLINDER HEAD

Up to B93DZ approx	Cylinder head early 4.25 litre	9	RE3680U
From B93DZ approx	Cylinder head late 4.25 litre	9	RE7753U
From M series	Cylinder head early 4.5 litre	9	RE10429U
From B49TO approx	Cylinder head late 4.5 litre	9	RE19451U
	Washer for heater tap	25	RE4787
	Rocker cover stud bush (3 per engine)	4	EB3998P
	Washer, rocker stud bush (3 per engine)	18	RE14060P
	Rocker cover stud internal centre bush		RE7571P
4.25 litre engines	Oil filler cap	5	RE13817
	Seal for oil filler cap RE13817	24	EB5064
	Breather pipe	16	RE5778U
	Washer for breather adapter on RE5778	X83	XB1076RP
4.5 litre engines	Breather pipe		RE13360U
	Washer for breather adapter on RE13360		XB1092
	Seal for oil filler adapter	22	RE11319
	Heat shield, heater hoses		RE10423P

## ENGINE - CYLINDER HEAD

### CYLINDER HEAD STUDS

Up to approx 474DA	Short head studs (30 per engine) 5/16" diameter	RE7954
	Long head studs (9 per engine) 5/16" diameter	RE7955
	Nuts for 5/16" head studs ( X 39)	RE7956P
From approx 474DA	Short head studs (30 per engine) 3/8" diameter	RE7567P
	Long head studs (9 per engine) 3/8" diameter	RE7566P
	Nuts for 3/8" head studs (X 39)	X4010ZP
For all 4.5 litre engines	Short head studs (30 per engine) 3/8" diameter x 4 & 1/4"	RE10425P
	Long head studs (9 per engine) 3/8" diameter x 4 & 7/16"	RE10427P
	Nuts for 3/8" head studs (X 39)	X4010ZP

### ROCKER SHAFT

MkVI	Bush, rocker arm (X 6)	EB4198
	Spring,rocker arm (2 per arm)	19 - E8 RE13536
R Type	Bush, rocker arm (X 6)	RE14388P
	Washer, rocker pedestal stud (5 per head)	E50051P



# ENGINE

## SUMP

See Diagram E2A & E2B (Pages 44 & 45)

Up to B203EW	Engine sump, good used (without locating dowels)	E2B - 27	RE3671U
From B203EW	Engine sump, good used (with locating dowels)	E2B - 27	RE10417U
	Sump gasket	E2B - 45	RE10419P
	Oil level sender	E2A - 61	DB1870SXU
	Oil level sender gasket	E2A - 61	UE73618P
	Oil level sender internal gasket		RF8404I
	Sump plug	E2A - 54	RG3744
		E2A - 54	RG3744U
	Sump plug washer	E2A - X83	XB1084P
	Dipstick	E2B - 29	RE4783U

## CRANKCASE

4.25 litre	Crankcase		RE8812U
MkVI 4.5 litre	Crankcase		RE13835U
From R series	Crankcase		RE16911U
From SP on	Crankcase		RE16217U

# ENGINE - CRANKSHAFT

## CRANKSHAFT

Oil retaining cap, crank main bearing caps (x 13)	RE14142
Oil retaining cap, crank bib ends (x12)	RE14143P
Crankshaft good used 4.25 litre engine	RE9005AU
Crankshaft good used 4.5 litre engine	RE11561U

## CRANKSHAFT SPRING DAMPER

See Diagram E7 (Page 51)

	Damper wheel (rear)	18	RE3940P
	Friction drum	3	RE6714P
	Spring plate diaphragm	8	RE3942P
	Friction discs (fibre)	13	RH9082P
	Friction discs (cotton)	13	EW935P
	Springs for spring plate RE3942P ( x 6)	10	RE3943P
	Inner driving springs (x 8)	11	E57758P
	Outer driving springs (x 8)	12	E58239P
	Locking washer for crankshaft nut	14	EB3228P
	Plain washer for crankshaft nut	16	EB3226
Up to DA approx	Crank pulley	9	EB5014U
From DA approx	Crank pulley	9	RE4031U
	Locktab washers (square) for damper (x 6)	15	RE3947P

# ENGINE - CRANKSHAFT

## CRANKSHAFT SPRING DAMPER

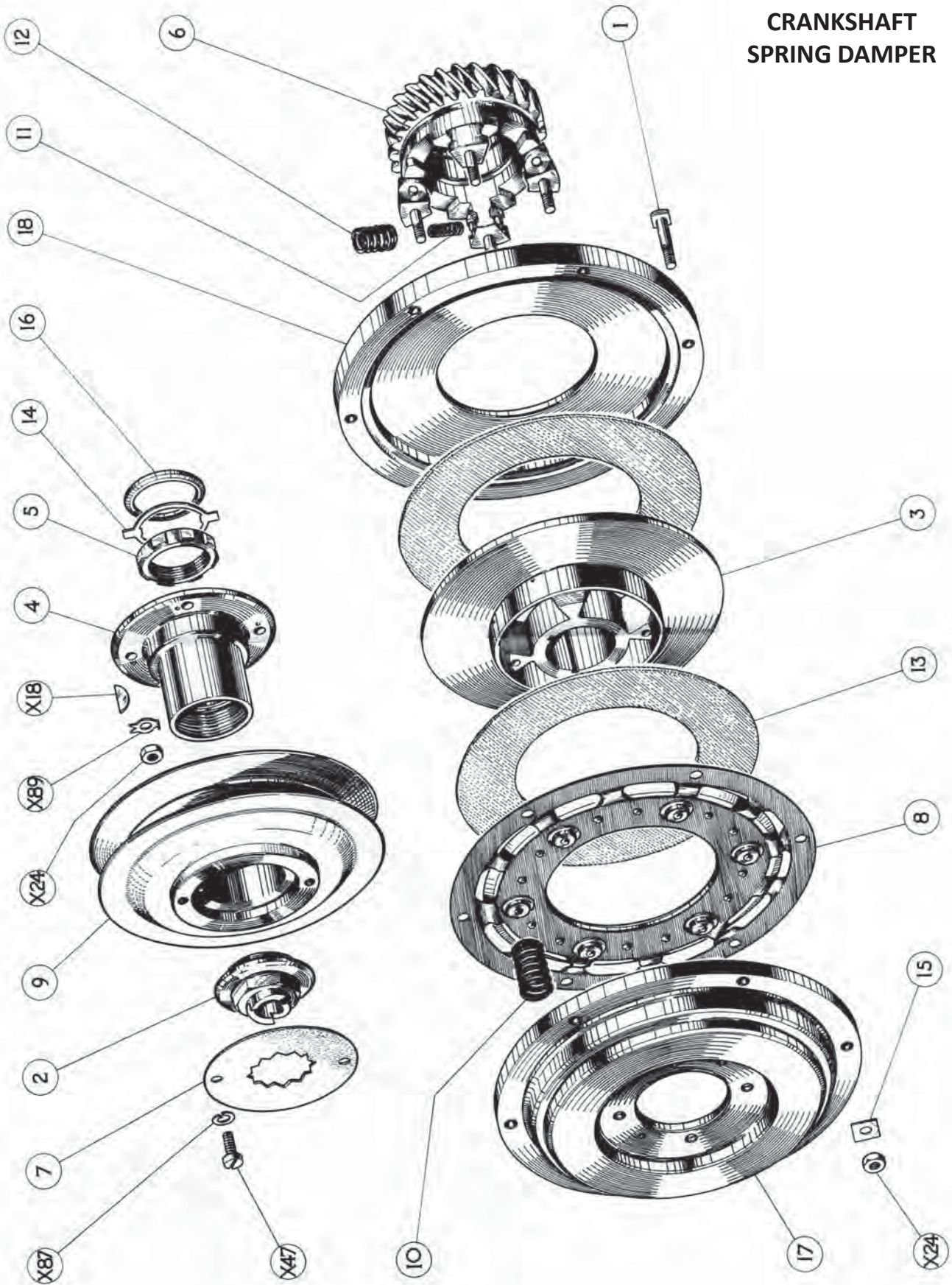


DIAGRAM E7

## ENGINE - CAMSHAFT & VALVES

The key below refers to the diagram E2B & E8 (Pages 45 & 53)

### CAMSHAFT

	Camshaft bearing set (RE210 x 1,RE3892 x 2,EB4146 x 1)	10,11,12 - E2B	EB4146SAP
Up to CD approx	Camshaft, high lift (4 stud fitting)	3 - E8	RE5157
		3 - E8	RE5157U
From D series approx	Camshaft, low lift (4 stud fitting)	3 - E8	RE6885SXR
From R series on	Camshaft (8 set screw fitting)	3 - E8	RE19517P
		3 - E8	RE19517U
	Spring, camshaft thrust	20 - E8	EB4023P

### INLET VALVE

	Inlet valve	27 - E8	EB3853P
	Inlet valve guide		RE361P
	Seat, inlet valve		UE351
	Tappet, inlet valve	25 - E8	RE15169P
	Adjusting screw, inlet tappet	17 - E8	RE17792
Up to R series	Push rod for operating inlet valve ( x 6)	15 - E8	RE13538
Continental	Push rod for operating inlet valve ( x 6)	15 - E8	RE14036P
	Valve stem seal (x 6)	8 - E8	EB1886P
	Circlip, valve stems (6 per engine)	14 - E8	EB1747
	Valve stem seal, modified rubber type (6 per engine)		EB1886MODP
	Washer,inlet valve spring outer, lower	31 - E8	RE3900
	Washer,inlet valve spring, upper	32 - E8	E86941
Up to CD approx	Spring, outer, inlet valve	23 - E8	E88325
Up to CD approx	Spring, inner, inlet valve	22 - E8	E86364
From D series approx	Spring, outer, inlet valve	23 - E8	RE6794P
From D series approx	Spring, inner, inlet valve	22 - E8	RE6793
	Washer,inlet valve spring inner, lower	30 - E8	RE3679
	Valve collet	33 - E8	EB1748P



# ENGINE - CAMSHAFT & VALVES

## CAMSHAFT, ROCKER SHAFT & VALVE MECHANISM

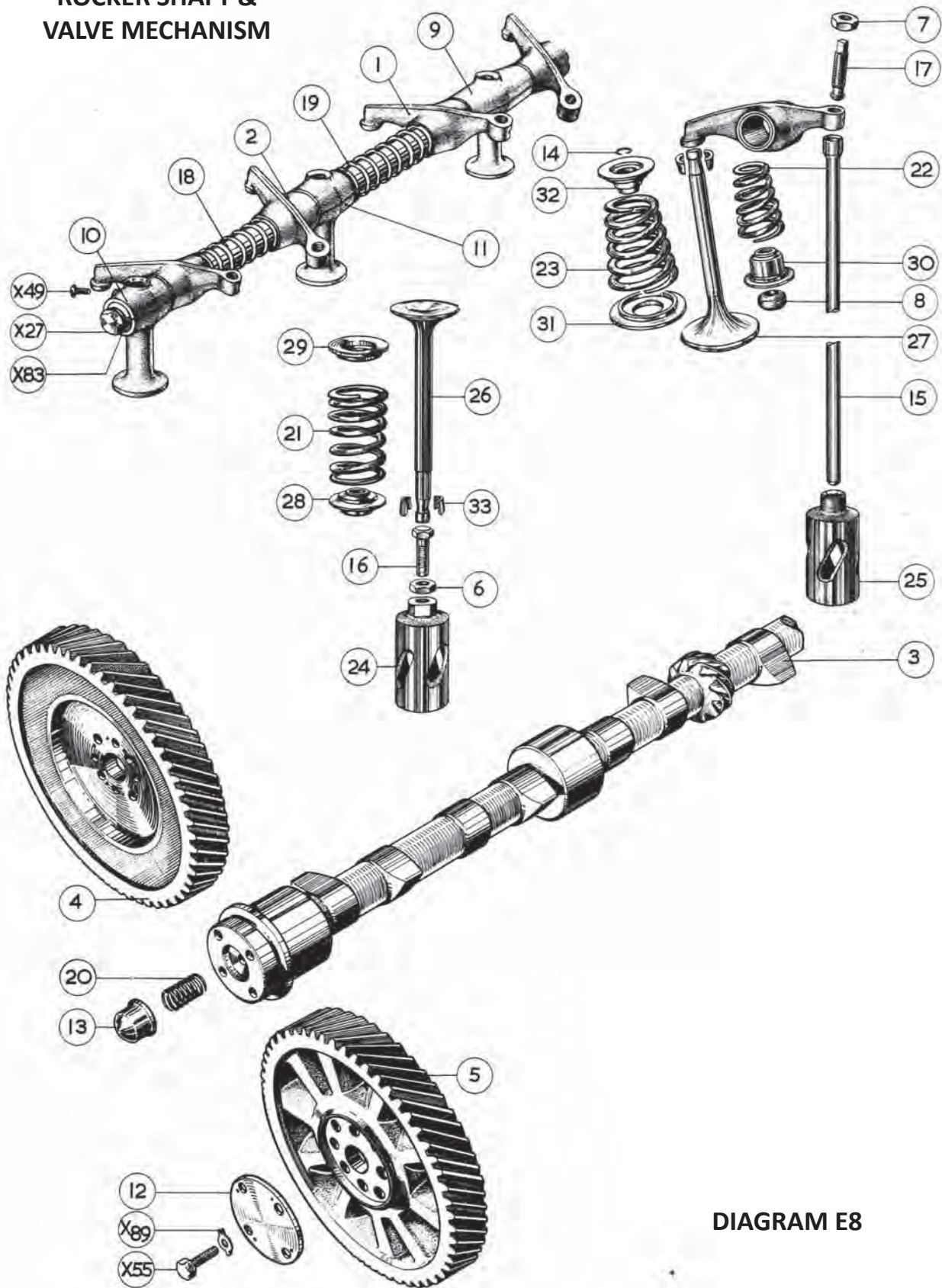


DIAGRAM E8



## ENGINE - VALVES & UNDERSHEETS

### EXHAUST VALVE

The key below refers to the diagram E8 (Page 53)

	Exhaust valve	26 - E8	RE25265P
	Guide, exhaust valve		RE5890P
	Seat, exhaust valve		RE23855P
	Tappet, exhaust valve	24 - E8	RE11780P
	Adjusting screw, exhaust tappet	16 - E8	RE7648
	Washer, exhaust valve spring, upper	29 - E8	RE975
4.25 litre engines	Spring, exhaust valve	21 - E8	RE3955
Up to VIN B24CF	Washer, exhaust valve spring lower	28 - E8	RE3073
From B26CF	Washer, exhaust valve spring lower	28 - E8	RE5892
4.5 litre engines	Spring, exhaust valve	21 - E8	RE15959P
	Washer, exhaust valve spring lower	28 - E8	RE15960
	Locking nut, exhaust tappet adjusting screw	6 - E8	G80757
	Valve collet	33 - E8	EB1748P

### ENGINE UNDERSHEETS (for cars with manual gearbox)

MkVI & R Type	Undersheet, RHF, RHD	RE4713P
MkVI only	Undersheet, LHF, LHD	RE8689
Up to M series	Undersheet, LHF, RHD	RE3688U
From M series on	Undersheet, LHF, RHD	RE5613U
R Type	Undersheet, RHR, RHD	RE4714U
	Undersheet, LHF, LHD	RE13400
	Undersheet, LHF, RHD	RE13405U
	Undersheet, LHR, LHD	RE13407

### ENGINE UNDERSHEETS (for cars with automatic gearbox)

Undersheet, RHR	RE18252
-----------------	---------

# SINGLE EXHAUST SYSTEMS

## MANIFOLDS, GASKETS & EXHAUST FITTINGS (Single System)

### See Diagram S1 (Page 56)

	Exhaust manifold, front, RHD, MkVI & Silver Wraith	6	EB3813P
	Exhaust manifold, rear, RHD, MkVI & Silver Wraith	7	EB3814P
	Exhaust manifold, front, LHD & Silver Dawn	6	RE8308
	Exhaust manifold, rear, LHD & Silver Dawn	7	RE8309P
	Stud, exhaust manifold to cylinder head (6 per manifold)		KB359ZP
	Washer, exhaust manifold stud (6 per manifold)	X85	X4407Z
	Brass nut, exhaust manifold stud (6 per manifold)	8	EW1833P
	Nut, downpipe bolt (3 per manifold)		X4009Z
	Gasket, exhaust manifold to cylinder head (3 per manifold)	3	EB4039P
	Gasket, exhaust manifold to down pipe (1 per manifold)	2	EB4468P
	Gasket, pipes to front & rear silencers (x 4)	4	EW2002P
MkVI / Silver Wraith SWB	Rubber hanger (4 hole) (4 per car - 2 on downpipe, 1 on centre pipe, 1 on tail pipe)	16	EB3559P
	Retaining plate, rubber hanger (8 per hanger)	15	EW1332P
	Distance piece, rubber hanger bolt (4 per hanger)	9	E50062P
	Nut, rubber hanger bolt (16 per car)	X24	X4313Z
	Spring washer, rubber hanger (16 per car)	X87	X9009ZP
Silver Dawn	Rubber hanger (2 hole) (4 per car - 2 on downpipe, 1 on centre pipe, 1 on tail pipe)		RE11466P
	Retaining plate, rubber hanger (4 per hanger)	15	EW1332P
	Distance piece, rubber hanger bolt (2 per hanger)	9	E50062P
	Nut, rubber hanger bolt (8 per car)	X24	X4313Z
	Spring washer, rubber hanger (8 per car)	X87	X9009ZP
	Bracket, horizontal, centre pipe		RF5228

# SINGLE EXHAUST SYSTEMS

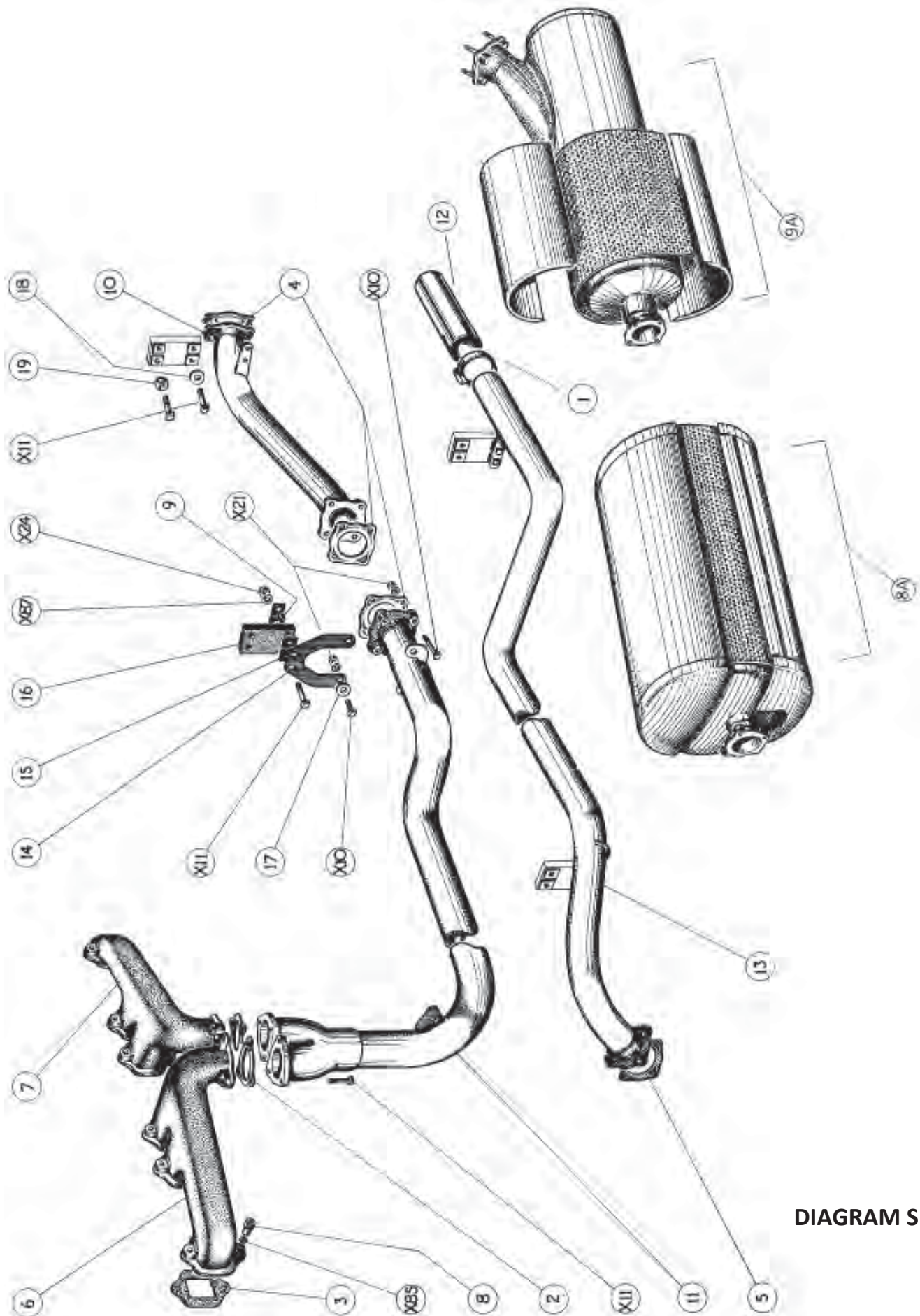


DIAGRAM S1

# SINGLE EXHAUST SYSTEMS

MKVI & SILVER DAWN SINGLE SYSTEM (Manual gearbox)

See Diagram S1 (Page 56)

	Downpipe, RHD (mild steel)	11	RE4672P
	Downpipe, RHD (stainless steel)	11	RE4672S
	Downpipe, LHD (mild steel)	11	RE8294P
	Silencer, front (mild steel)	8A	RE3746P
	Silencer, front (stainless steel)	8A	RE3746S
MkVI	Centre pipe	10	RE5914
MkVI	Centre pipe (mild steel)	10	RE5914P
MkVI	Centre pipe (stainless steel)	10	RE5914S
Silver Dawn	Centre pipe (mild steel)	10	RE18035P
	Silencer, rear (mild steel)	9A	RE3747P
	Silencer, rear (stainless steel)	9A	RE3747S
	Tail pipe (mild steel)	13	RE9991P
	Tail pipe (stainless steel)	13	RE9991S
	Tail pipe (coachbuilt)	13	RE13531P
	Chrome tail pipe extension 6"	12	RE4730
	Chrome tail pipe extension 12"	12	RE18095P
	Complete exhaust system (mild steel)		EXMSMK6
	Complete exhaust system (stainless steel)		EXSSMK6



# SINGLE EXHAUST SYSTEMS

SILVER WRAITH SINGLE SYSTEM (Manual gearbox)

See Diagram S1 (Page 56)

	Downpipe, RHD (mild steel)	11	RE4672P
	Downpipe, RHD (stainless steel)	11	RE4672S
	Downpipe, LHD (mild steel)	11	RE8294P
	Silencer, front (mild steel)	8A	RE3746P
	Silencer, front (stainless steel)	8A	RE3746S
A Series	Centre pipe (mild steel)	10	RE4723P
B,C,D Series	Centre pipe	10	RE5915
B,C,D Series	Centre pipe (mild steel)	10	RE5915P
From ALW1	Centre pipe, SWB (mild steel)	10	RE10045P
From ALW1	Centre pipe, LWB (mild steel)	10	RE13438P
	Silencer, rear (mild steel)	9A	RE3747P
	Silencer, rear (stainless steel)	9A	RE3747S
A,B,C,D series	Tail pipe (with standard bumpers)	13	RE9993P
A,B,C,D series	Tail pipe (with heavy type export bumpers)	13	RE12521P
from WME1	Tail pipe	13	RE12037P
from ALW1	Tail pipe, LHD (manual only)	13	RE12521P
	Chrome tail pipe extension 6"	12	RE4730
	Chrome tail pipe extension 12"	12	RE18095P
	Complete exhaust system (mild steel)		EXMSSWSINGLE
	Complete exhaust system (stainless steel)		EXSSSWSINGLE



# SINGLE EXHAUST SYSTEMS

SILVER DAWN & SILVER WRAITH SINGLE SYSTEM (Automatic gearbox)

See Diagram S1 (Page 56)

	Downpipe, RHD	11	RE18391
	Downpipe, LHD	11	RE18124P
	Silencer, front	8A	RE18750
Silver Dawn	Centre pipe (mild steel)	10	RE18035P
Silver Wraith			
A Series	Centre pipe (mild steel)	10	RE4723P
B,C,D Series	Centre pipe	10	RE5915
B,C,D Series	Centre pipe (mild steel)	10	RE5915P
From ALW1	Centre pipe, SWB (mild steel)	10	RE10045P
From ALW1	Centre pipe, LWB (mild steel)	10	RE13438P
	Silencer, rear (mild steel)	9A	RE3747P
	Silencer, rear (stainless steel)	9A	RE3747S
Silver Dawn			
Up to SNF20 approx	Tail pipe	13	RE18038
From SNF20 approx	Tail pipe	13	RE18318
Silver Wraith			
A,B,C,D series	Tail pipe (with standard bumpers)	13	RE9993P
A,B,C,D series	Tail pipe (with heavy type export bumpers)	13	RE12521P
from WME1	Tail pipe	13	RE12037P
from ALW1	Tail pipe, RHD & LHD (auto)	13	RE18388
	Chrome tail pipe extension 6"	12	RE4730
	Chrome tail pipe extension 12"	12	RE18095P
	Complete exhaust system (mild steel)		EXMSSWAUTOS
	Complete exhaust system (stainless steel)		EXSSSWAUTOS

# MKVI TWIN EXHAUST SYSTEM

## MkVI TWIN EXHAUST SYSTEM

See Diagram S3A (Page 62)

Exhaust manifold, front, RHD, MkVI & Silver Wraith	21	EB3813P
Exhaust manifold, rear, RHD, MkVI & Silver Wraith	22	EB3814P
Exhaust manifold, front, LHD & Silver Dawn	21	RE8308
Exhaust manifold, rear, LHD & Silver Dawn	22	RE8309P
Stud, exhaust manifold to cylinder head (6 per manifold)		KB359Z
Washer, exhaust manifold stud (6 per manifold)	X85	X4407Z
Brass nut, exhaust manifold stud (6 per manifold)	23	EW1833P
Nut, downpipe bolt (3 per manifold)	X21	X4009Z
Gasket, exhaust manifold to cylinder head (3 per manifold)	17	EB4039P
Gasket, exhaust manifold to down pipe (1 per manifold)	14	EB4468P
Downpipe, RH (OEM)	25	RE5478
Downpipe, RH (mild steel)	25	RE5478P
Downpipe, RH (stainless steel)	25	RE5478S
Downpipe, LH (OEM)	26	RE11426
Downpipe, LH (mild steel)	26	RE11426P
Downpipe, LH (stainless steel)	26	RE11426S
Silencer, front, RH (mild steel)	30	RE11428P
Silencer, front, RH (stainless steel)	30	RE11428S
Silencer, front, LH (OEM)	40	RE11429
Silencer, front, LH (mild steel)	40	RE11429P
Silencer, front, LH (stainless steel)	40	RE11429S
Silencer, rear, RH (mild steel)	31	RE11444P
Silencer, rear, RH (stainless steel)	31	RE11444S
Silencer, rear, LH (OEM)	32	RE11445
Silencer, rear, LH (mild steel)	32	RE11445P
Silencer, rear, LH (stainless steel)	32	RE11445S

# MKVI TWIN EXHAUST SYSTEM

## MkVI TWIN EXHAUST SYSTEM

See Diagram S3A (Page 62)

Tail pipe, RH, front section (OEM)	28	RE11446
Tail pipe, RH, front section (mild steel)	28	RE11446P
Tail pipe, RH, front section (stainless steel)	28	RE11446S
Tail pipe, LH, front section (OEM)	27	RE11447
Tail pipe, LH, front section (mild steel)	27	RE11447P
Tail pipe, LH, front section (stainless steel)	27	RE11447S
Tail pipe, RH, rear section (OEM)	42	RE11452S1
Tail pipe, RH, rear section (mild steel)	42	RE11452P
Tail pipe, RH, rear section (stainless steel)	42	RE11452S
Tail pipe, LH, rear section (mild steel)	41	RE11453P
Tail pipe, LH, rear section (stainless steel)	41	RE11453S
Complete exhaust system (mild steel)		EXMSMK6T
Complete exhaust system (stainless steel)		EXSSMK6T
Gasket, downpipe to front silencer (x 2)	15	RE5309P
Gasket, rear silencer & tail pipes (x 6)	16	RE11468P
Rubber hanger (x 6)	35	RE11466P
Retaining plate, rubber hanger (4 per hanger)	29	EW1332P
Distance piece, rubber hanger bolt (2 per hanger)	24	E50062P
Heat shield, rear		RE18001U
Heat shield, front		RE18002U

# MKVI TWIN EXHAUST SYSTEM

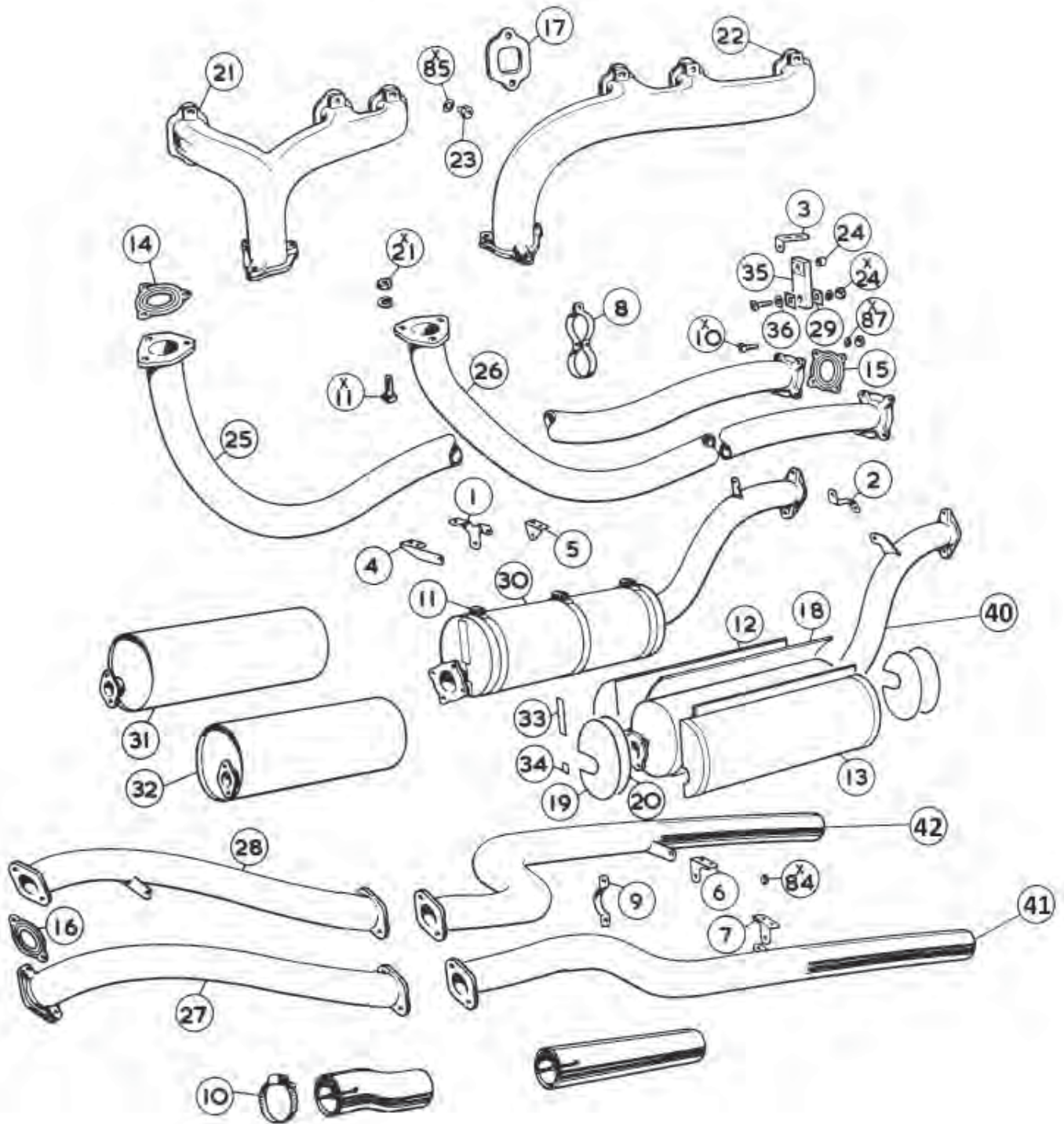


DIAGRAM S3A



# R TYPE & SILVER DAWN TWIN EXHAUST

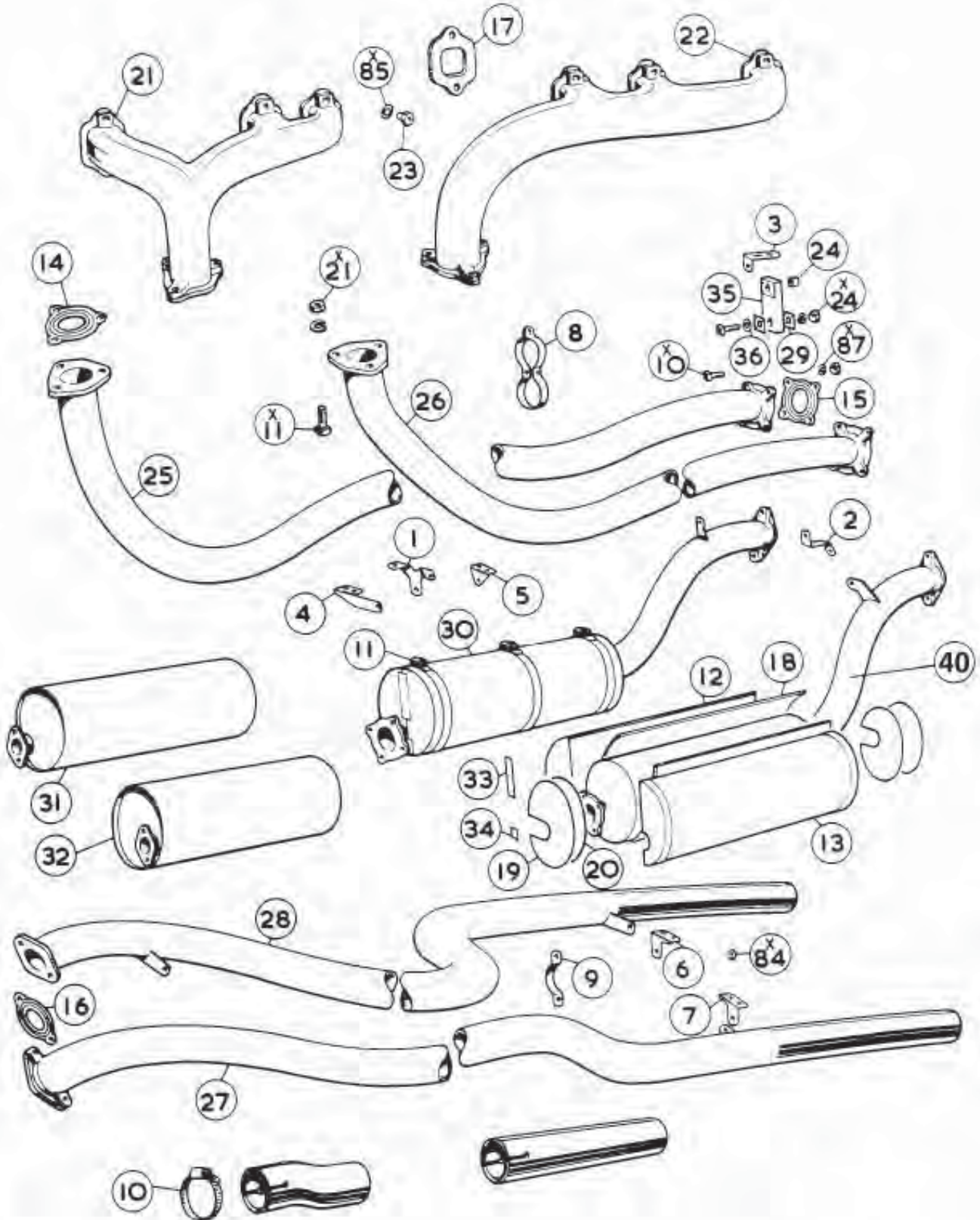


DIAGRAM S3B



## R TYPE & SILVER DAWN TWIN EXHAUST

### R TYPE/SILVER DAWN EXHAUST MANIFOLDS & FITTINGS

See Diagram S3B (Page 63)

Exhaust manifold, front	21	RE13356
Exhaust manifold, rear	22	RE13357P
Stud, exhaust manifold to cylinder head (6 per manifold)		KB359Z
Washer, exhaust manifold stud (6 per manifold)	X85	X4407Z
Brass nut, exhaust manifold stud (6 per manifold)	23	EW1833P
Nut, downpipe bolt (3 per manifold)	X21	X4009Z
Gasket, exhaust manifold to cylinder head (3 per manifold)	17	EB4039P
Gasket, exhaust manifold to down pipe (1 per manifold)	14	EB4468P
Gasket, downpipe to front silencer (x 2)	15	RE5309P
Gasket, rear silencer & tail pipes (x 4)	16	RE11468P
Rubber hanger (x 6)	35	RE11466P
Retaining plate, rubber hanger (4 per hanger)	29	EW1332P
Distance piece, rubber hanger bolt (2 per hanger)	24	E50062P
Nut, rubber hanger bolt (12 per car)	X24	X4313Z
Spring washer, rubber hanger (16 per car)	X87	X9009ZP
Heat shield, rear (x 2)		RE18001U
Heat shield, front		RE18002U

# R TYPE & SILVER DAWN TWIN EXHAUST

## R TYPE/SILVER DAWN EXHAUST PIPES & SILENCERS

See Diagram S3B (Page 63)

Downpipe, RH, automatic gearbox (OEM)	25	RE18238
Downpipe, RH, automatic gearbox (mild steel)	25	RE18238P
Downpipe, RH, automatic gearbox (stainless steel)	25	RE18238S
Downpipe, LH, automatic gearbox (OEM)	26	RE18240
Downpipe, LH, automatic gearbox (mild steel)	26	RE18240P
Downpipe, LH, automatic gearbox (stainless steel)	26	RE18240S
Downpipe, RH, manual gearbox (OEM)	25	RE13362
Downpipe, RH, manual gearbox (mild steel)	25	RE13362P
Downpipe, RH, manual gearbox (stainless steel)	25	RE13362S
Downpipe, LH, manual gearbox (OEM)	26	RE13364
Downpipe, LH, manual gearbox (mild steel)	26	RE13364P
Downpipe, LH, manual gearbox (stainless steel)	26	RE13364S
Silencer, front, RH (OEM)	30	RE13369
Silencer, front, RH (mild steel)	30	RE13369P
Silencer, front, RH (stainless steel)	30	RE13369S
Silencer, front, LH (mild steel)	40	RE13368P
Silencer, front, LH (stainless steel)	40	RE13368S
Silencer, rear, RH (mild steel)	31	RE11444P
Silencer, rear, RH (stainless steel)	31	RE11444S
Silencer, rear, LH (OEM)	32	RE11445
Silencer, rear, LH (mild steel)	32	RE11445P
Silencer, rear, LH (mild steel)	32	RE11445S
Tail pipe, RH (OEM)	28	RE13466
Tail pipe, RH (mild steel)	28	RE13466P
Tail pipe, RH (stainless steel)	28	RE13466S
Tail pipe, LH (mild steel)	27	RE13465P
Tail pipe, LH (stainless steel)	27	RE13465S
Complete Exhaust Systems:		
Mild steel - please specify Manual or Auto		EXMSRTTWIN
Stainless steel - please specify Manual or Auto		EXSSRTTWIN

## SILVER WRAITH (FROM ELW1) EXHAUST

### SILVER WRAITH TWIN EXHAUST SYSTEM (From ELW1)

	Gasket, manifold to downpipe (x 2)	EB4468P
Up to ELW47	Downpipe	UE1486P
From ELW47	Downpipe	UE1698P
Up to ELW47	Gasket, downpipe to front silencer	UE1474
From ELW47	Gasket, downpipe to front silencer	UE1686
	Front silencer (UE1700)	RH7692
		RH7692P
	Intermediate pipe	UE1490
		UE1490P
	Gasket, int pipe to front & rear silencers (x 2)	UE1144P
Up to ELW47	Rear silencer	UE1493
From ELW47	Rear silencer	UE1696P
Up to ELW47	Gasket, rear silencer to tail pipe	UE1145
From ELW47	Gasket, rear silencer to tail pipe	UE1683P
	Tail pipe	UE1501P
	Rubber hanger ( x 4)	RE18216P
	Retaining plate, rubber hanger (4 per hanger)	EW1332P
	Distance piece, rubber hanger bolt (2 per hanger)	E50062P

## FUEL

### FUEL HOSES

Hose, main fuel feed to carbs, RHD	RF8054P
Hose, main fuel feed to carbs, LHD	RF6489P

### FUEL FILTER

Gauze, fuel filter (2 per filter)	F86423
Seal, filter bowl to lid	UR796P
Washer, 0.750", inlet union	WHT002907
Washer, 0.625", outlet union	XB1081R
Washer, 0.312", drain plug	XB1077

### AIR SILENCER

From B109GT	Gasket, air intake to carburetter	RH13022P
Up to B109GT	Rubber connector, air intake to silencer	RE17017
From B109GT	Rubber connector, air intake to silencer	RE11539P

### GASKETS

Up to B81HP	Gasket (oval) carburetter to inlet manifold	EB4232P
From B81HP	Gasket (square) carburetter to inlet manifold	RE10611P
	Gasket carb to air silencer	RH13022P
	Gasket, water connection to inlet manifold	EB3580P
R Type	Gasket, hot spot	EB3581P

### AUTOMATIC CHOKE

R Type	Solenoid, original with cover	RD8574
	Shim, solenoid to body	RD6518
	Choke thermostat coil assembly	RE5123P
	Gasket, air intake to auto choke body	RH13025
	Diaphragm, choke depression valve	UE6162

# FUEL PUMP

## FUEL PUMP - ORIGINAL STUD MOUNTED

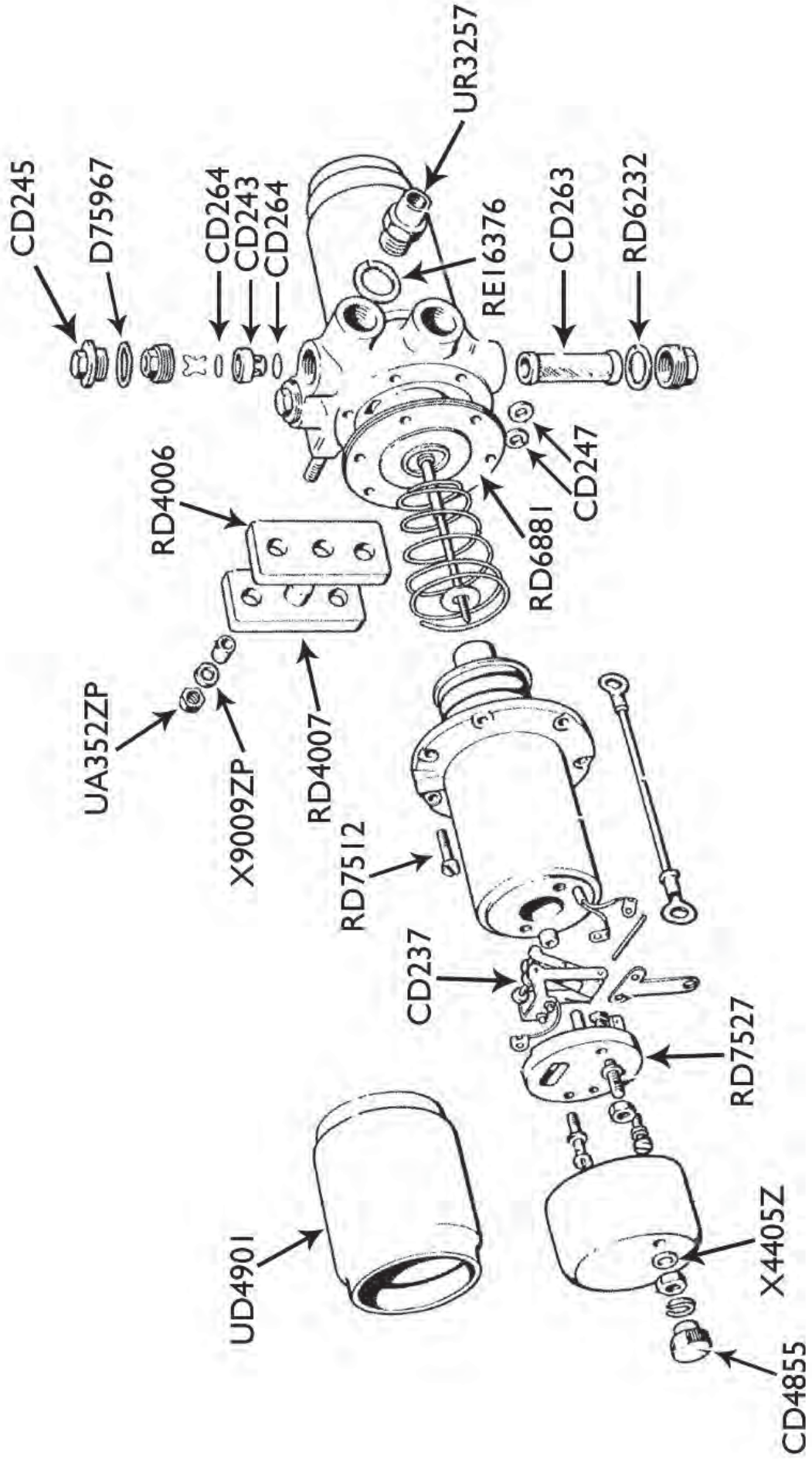
Fuel pump assembly (original type)	DB1935SXR
VALVE DISC (Fuel pump - 4 per pump)	CD2356
FUEL PUMP DIAPHRAGM	RD6881P
FUEL PUMP POINTS	CD237P
FUEL PUMP MOUNT (Inner)	RD4006
FUEL PUMP MOUNT (Outer)	RD4007
WASHER (Fuel pump top plug)	D75967
VALVE DISC (Fuel pump - 4 per pump)	CD264
VALVE CAGE (Fuel pump)	CD243
WASHER	RE16376
UNION	UR3257
FILTER (Inside fuel pump)	CD263
FIBRE WASHER (Fuel pump internal filter)	RD6232
BRASS ROLLER (Fuel pump diaphragm - 4 per pump)	CD247
SPRING WASHER	X9009ZP
HALF NUT	UA3522P
CHEESEHEAD SCREW (Fuel pump body - 12 per pump)	RD7512
END PLATE MOULDING (Fuel pump)	RD7527
SLEEVE (Fuel pump)	UD4901
TERMINAL NUT (Fuel pump)	CD4855
FUEL PUMP SEALING RING	CD4725

## FUEL PUMP - MODERN REPLACEMENT

Fuel pump (modern equivalent)	UD22715FCP
Fitting kit for modern pump	RH2380P



# FUEL PUMP



## FUEL - SU CARBURETTER

See Diagram P1B (Page 71)

### SU CARBURETTER

Up to B81HP approx	Carburetter rebuild kit (2 Kits required per car)	CARBKITMKVIE
From B83HP to R series	Carburetter rebuild kit (2 Kits required per car)	CARBKITMKVIL
R Type	Carburetter rebuild kit (2 Kits required per car)	CARBKITRT

### FLOAT CHAMBER

	Float needle valve and seat	32	CD3514P
	Gasket, float lid to body	46	RE7283P
	Float, SU carb	14	RE7286P
	Filter, float chamber	13	RE8399P
	Washer, filter	47	RE20597P
	Washer, fibre, float lid top	41	RE7297P
	Washer, aluminium, float lid top	40	RE7289P
	Washer, float body to main carb	44	EB4933
MkVI	Washer, float body to main carb bolt	42	RE14726
R Type	Washer, float body to main carb bolt (fibre) 2 per bolt		CD588
R Type	Washer, float body to main carb bolt (brass) 1 per bolt		CD587

### MAIN CARBURETTER

Up to B81HP approx	Needle (SC)	20	RE8743P
From B81HP approx	Needle (SP)	20	RE16111P
MkVI	Needle (SF) cars with oil bath air cleaner	20	RE8565
R Type	Needle (SF) cars with oil bath air cleaner	20	RE17771P
R Type	Needle (SH)	20	RE15210P
	Cork gland, needle jet (2 per jet)	49	R4479P
MkVI	Jet	15	RE7296P
R Type	Jet	15	RH9226P
	Cork washer, jet	50	RE7287P
	Brass washer, jet	51	RE8385
	Washer, lower jet bearing	43	RE8386



# FUEL - STROMBERG CARBURETTER

## STROMBERG CARBURETTER

See Diagram P1A (Page 73)

Complete carburetter rebuild kit		STROMBERG1
Float, Stromberg carb	12	RE7802P
Gasket, carb float	13	RE7796P
Gasket, throttle body to main body	14	RE7800P
Accelerator pump assembly	55	RE7807P
Jet, main discharge	24	RE7806
Jets, main (pair)	25	RE9842P
Needle & seat, float	41	RE7809P
Packing gasket, Stromberg carb to inlet manifold (not shown)		RE16571
Gasket, Stromberg carb to inlet manifold (not shown)		RE16572P
Gasket, auto choke housing	15	RE8329
Gasket, float needle valve seat	16	RE10862
Gasket, vacuum piston chamber plug	20	RE10875
Hotspot gasket, inlet manifold, Stromberg carburetter		RE151



# FUEL - STROMBERG CARBURETTOR

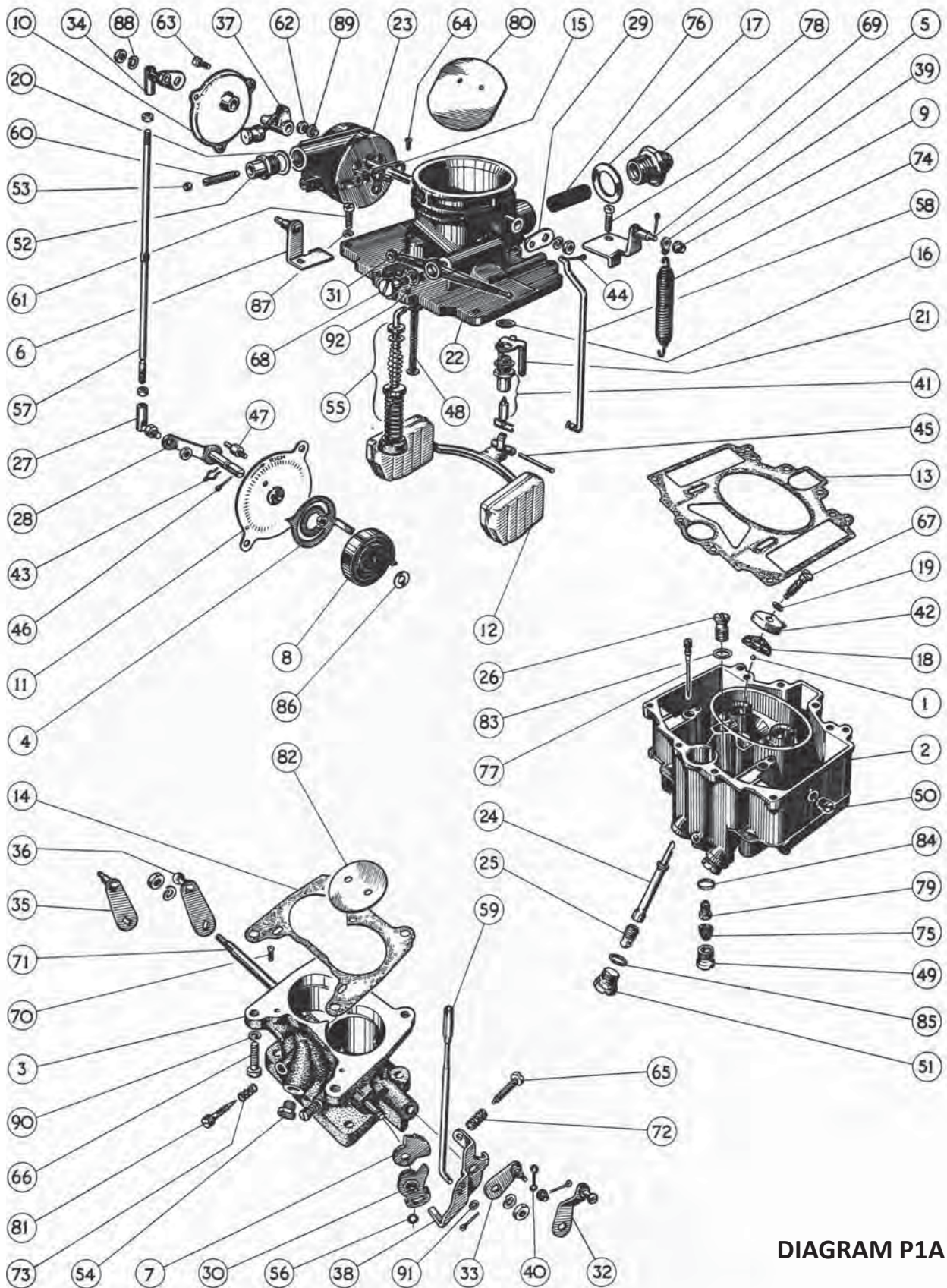


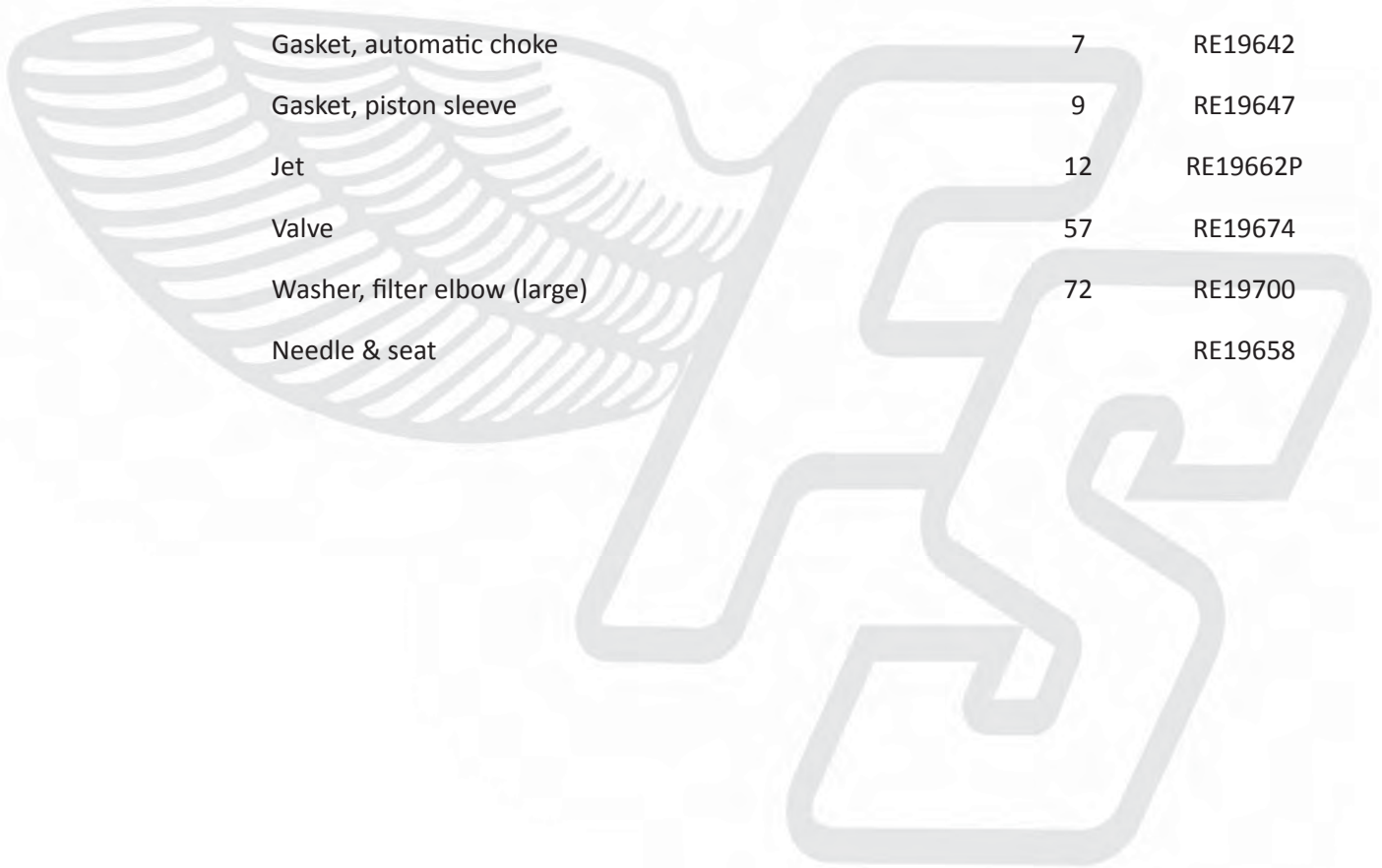
DIAGRAM P1A

# FUEL - ZENITH CARBURETTER

## ZENITH CARBURETTER

See Diagram P1C (Page 75)

Zenith carburetter kit		ZEN01
Packing piece, carb to inlet manifold		RE15880
Gasket, carb to inlet manifold		RE15881P
Gasket, carb body Zenith	10	RE19654
Float, Zenith carburetter	6	RE19660P
Gasket, float Zenith carburetter	8	RE19676
Gasket, automatic choke	7	RE19642
Gasket, piston sleeve	9	RE19647
Jet	12	RE19662P
Valve	57	RE19674
Washer, filter elbow (large)	72	RE19700
Needle & seat		RE19658





# FUEL - ZENITH CARBURETTOR

## ZENITH CARBURETTOR

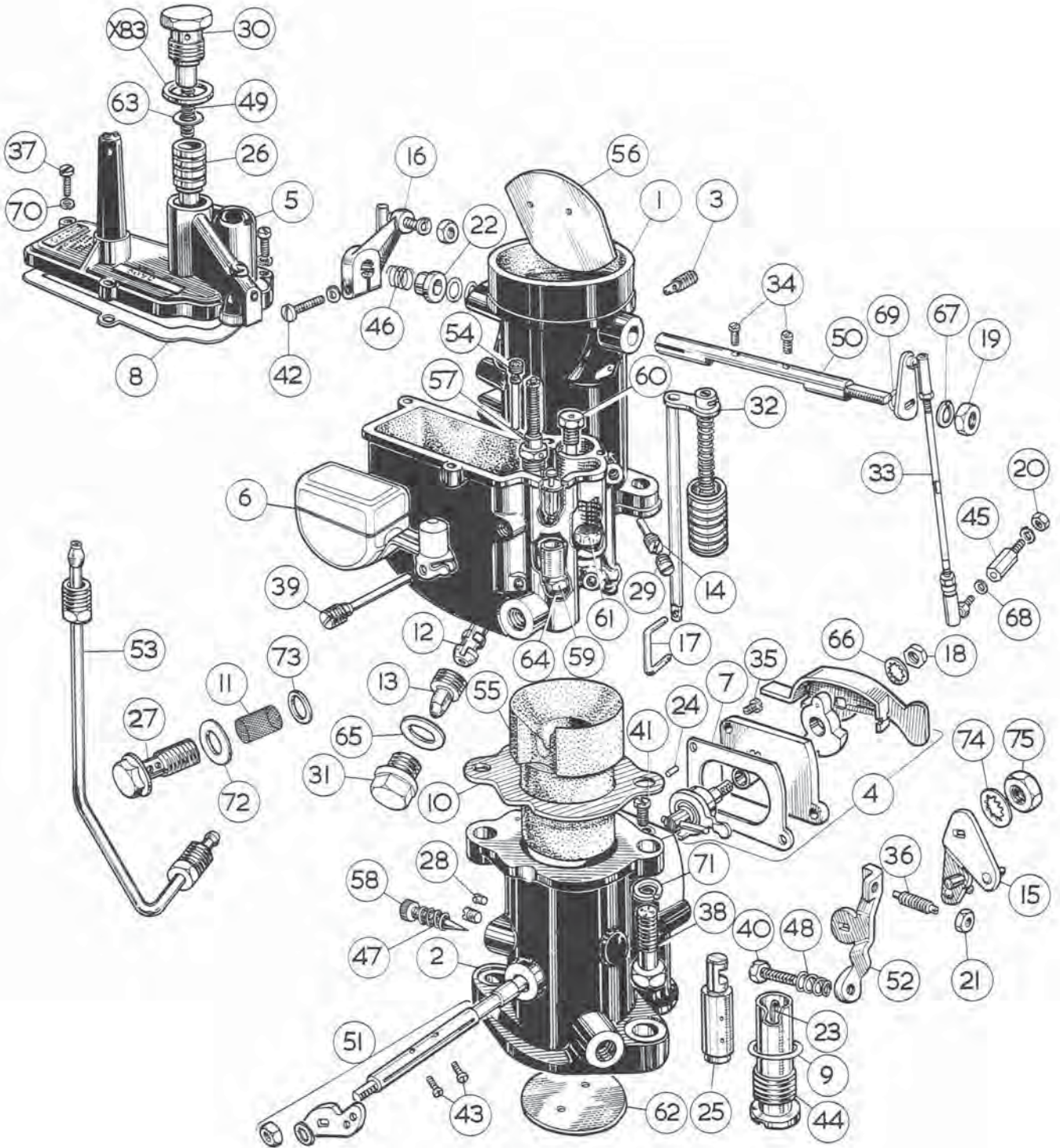


DIAGRAM P1C

# FUEL

## FUEL TANK (MkVI)

A to L series	Fuel tank	RE8060U
M series on	Fuel tank	RF7195U
	Strap assembly, upper and lower, fuel tank (stainless steel)	RF3994/5P
	Sender, fuel level	RF9227P
	Guard, fuel level sender	RF3485
	Filler cap	RF4260U
	Hose, fuel filler	RF8176P
	Drain plug	RG3744
		RG3744U
	Washer, drain plug	XB1084P
	Seal, fuel filter tube to body	RB2557P

## FUEL TANK (R Type, Silver Dawn & Silver Wraith)

R Type, Dawn	Fuel tank	RF9232U
Silver Wraith	Fuel tank	UR2181
	Sender, fuel level	RF9227P
	Gasket, fuel level sender	UE73618P
	Guard, fuel level sender	RF9237
	Strap assembly, fuel tank (stainless steel)	RF8832SAP
	Filler cap, lockable	RF9201U
	Hose, fuel filler	RH8118
	Seal, fuel filter tube to body	RB2557P



## GEARBOX & CLUTCH

### GEARBOX MOUNTS & RUBBERS

Gearbox rear mount (1 per car)	FW1970P
Mounting rubber, gearbox to chassis (2 per car)	RE9001P
Gearbox tie bar rubbers (4 per car)	RG3428P
Bush, selector linkage	RG5085

### CLUTCH ASSEMBLY

Clutch release bearing	RG8409P
4.25 litre engine Clutch friction plate, 10", reconditioned exchange	RG7066SXR
4.25 litre engine Clutch pressure plate, 10", reconditioned exchange	RG7067SXR
4.5 litre engine Clutch friction plate, 11", reconditioned exchange	RG7068SXR
4.5 litre engine Clutch pressure plate, 11", reconditioned exchange	RG7069SXR
Clutch & brake pedal rubber, Bentley	RF4281
Clutch & brake pedal rubber, RR	RF4282
Felt washer, anti-fume seal under clutch pedal	FB472
Bell housing	GB4333AU

### FLYWHEEL (Manual Gearbox)

Bearing, first motion shaft	RE12055
Flywheel /ring gear for 10" clutch (RHD)	RG3096
Flywheel /ring gear for 10" clutch (RHD)	RG3096U
Flywheel /ring gear for 11" clutch (RHD)	RH7256P
	RE10694U
Bolt, 3/8" ,flywheel disc to crank (x 12)	RE18405P
Flywheel bolts	RE17256P

## GEARBOX & CLUTCH

### FLYWHEEL (Automatic Gearbox)

Flywheel/ ring gear (threaded holes)	UE1399
Flywheel/ ring gear (plain holes)	UE1406P
Flywheel/ ring gear (cast iron flywheel casing)	UE1006
Bearing, flywheel	RE13183
Bearing, flywheel	UE9978
Gasket, bearing housing to crankshaft	RE13189P
Gasket, bell housing to engine	UG134P

### MANUAL GEARBOX

Complete gearbox good used exchange	RG3117AU
Dipstick	GB5130P
Plug, dipstick access	RB2515U
Gasket, top inspection plate	GB4125
Gasket, top inspection plate, LHD	RG5659
Gasket, main rear cover	GB4833
Gasket, backplate	RG5776
Gasket, side cover LH, small	RG170P
Gasket, side cover LH, large	RG5660
Gasket, LH gear change cover	RG427P
Gasket, bottom drain cover	RG3120P
Gasket, main front cover	GB4123P
Gasket, selector bars rear cover	RG3001P
Gasket, selector shaft	GB4124
Gasket, servo drive housing	RG3000
Seal, servo drive housing	RG7027P
Gasket, speedo drive	GB4950
Fork, gear selector	GB5076
Sump plug	RG3744
	RG3744U
Sump plug washer	XB1084P
Knob, gear lever	GB992P

## GEARBOX & CLUTCH

### AUTOMATIC GEARBOX

Complete gearbox reconditioned exchange	R6002SXR
Complete gearbox overhaul kit	GBOXMASTERKITRT
Gasket, sump	UG809
Sump plug	UG526
	UG526U
Washer, sump plug	XB1093RP
Filter	UG621U
Gasket, side cover	UG808P
Sealing washer, dipstick	UG1222
Front band, exchange	UG3451SXR
Rear band, exchange	UG12309SXR
Seal, front pump	RH8535
Nut, output shaft to prop	UG2288
Locktab, output shaft nut	UG934P
Clamping washer, output shaft nut	UG933
Gasket, rear extension to main gearbox case	RH13062P
Seal, inner, output shaft	UG148
Bearing, inner, output shaft	UG206
Bearing, outer, output shaft	RG8071
Gasket, rear cover	RG8286
Seal, outer, output shaft	RG7298
Seal, brake servo to gearbox	RG6640P
Bearing, flywheel	UE9978
Rear bearing, output shaft	RG7230

## IGNITION

	Distributor cap	CD876PTP
	Rotor arm (original style)	RD8550P
	Rotor arm (modern replacement)	CD6915P
	Point set (contains 2 x RF5093P, 1 x RH8889P, 1 x RH8891P)	POINTSET
	Tool, points synchronising	STD410P
	Up-rated Coil (With push-on lead terminal)	UD10846PP
	Coil (Standard - with screw-in lead terminal)	UD10846AP
	Coil (Standard - with push-in lead terminal)	UD10846P
	Condenser	CD369P
	Twin condenser (original style with bracket)	RD7774P
	Spark plug (NGK)	RE20608P
	Spark plug (Champion)	RE20608PC
	HT lead set (including coil lead)	HTLEADSETS1
	HT lead (individual lead including spark plug connector)	UE9764
	Electronic ignition conversion kit (positive earth)	ELEC1POS
	Electronic ignition conversion kit (negative earth)	ELEC1
	Lumenition kit to modify the distributor to electronic ignition	CD5904P
	Coil (recommended when modifying to Lumenition)	MS4
Up to B290NZ	Distributor assembly	RD5897SXU
B290NZ - B92TO	Distributor assembly	RD7783SXU
B93TO on	Distributor assembly	RD7937SXU
	Gasket, distributor to crankcase	EB4042



## INSTRUMENTS

	Bulb, 12 V 2.4W, 4 in 1 instrument unit, dash panel & speedo	RD4243
	Bulb, 16V 3W, fuel warning light & interior boot light	RD4242
	Clock, 8 day	RD3184SXR
	Clock, electric	RD5732SXR
Up to B-TO	Speedometer, mph, 11:41 ratio diff	RD5699SXU
From B-TN	Speedometer, mph, 12:41 ratio diff	RD6387SXU
From B- YA on	Speedometer, 120mph, 12:41 ratio diff	RD8381U
	Felt seal, speedo cable	CD606
	Speedo cable RHD 70"	RD3289U
	Speedo cable RHD 66"	RD5419U
	4 in 1 instrument assembly	RD7583U
	Including:	
	Ammeter gauge(exchange)	RD4673P
		RD4673U
	Fuel level gauge (exchange)	RD3786P
		RD3786U
	Oil pressure gauge (exchange)	RD3780U
	Connector on bulkhead, oil pipe to gauge	FB3629
	Flexible hose, oil pressure relief valve to bulkhead	RE4812P
	Coolant gauge including thermostat (exchange)	RD3770SXR
	Cigar lighter, "cats eye"	RD4157P
	Plug, inspection torch	RD4333
	Charging socket, dashboard	RD7056U

# INSTRUMENTS

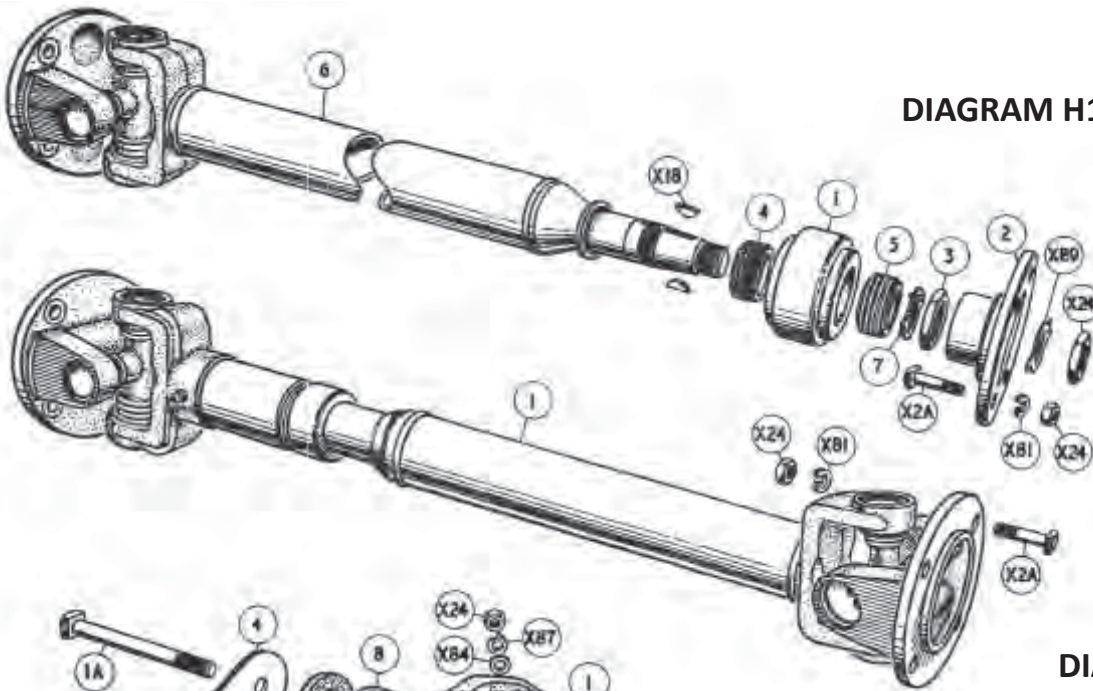
## DASH SWITCHES & KNOBS

Up to B191DZ	Switch, defroster	RD4964U
	Knob, defroster	RD4946U
From B192DZ to B492NZ	Switch, demister	RD4962U
	Knob, demister	RD4944U
From B492NZ	Switch, demister (3 position)	RD6692U
	Knob "M", demister	RD6693U
R Type	Switch, demister (3 position)	RD8346U
	Knob "M", demister	RD8343U
	Switch, instrument light	RD4961U
	Knob "I", instrument light	RD4943U
	Switch, oil/fuel level	RD3133
		RD3133U
	Switch, windscreen wiper	RD4963U
	Knob "W", windscreen wiper	RD4945U
	Switch, windscreen wiper, 3 position	RD6710
	Knob "W", windscreen wiper	RD8342U
	Switch, fog lamp	RD4966U
	Knob "F", fog lamp	RD5816
	From B492NZ	Switch, underseat heater, 3 position
Knob "H", underseat heater		RD6974U
From B2TN on	Switch, underseat heater, 3 position	RD8344U
	Knob "H", underseat heater	RD8341U
	Switch, demister rear window	RD6636U
	Knob "RW", demister rear window	RD6953
	Switch, map light	RD3135U

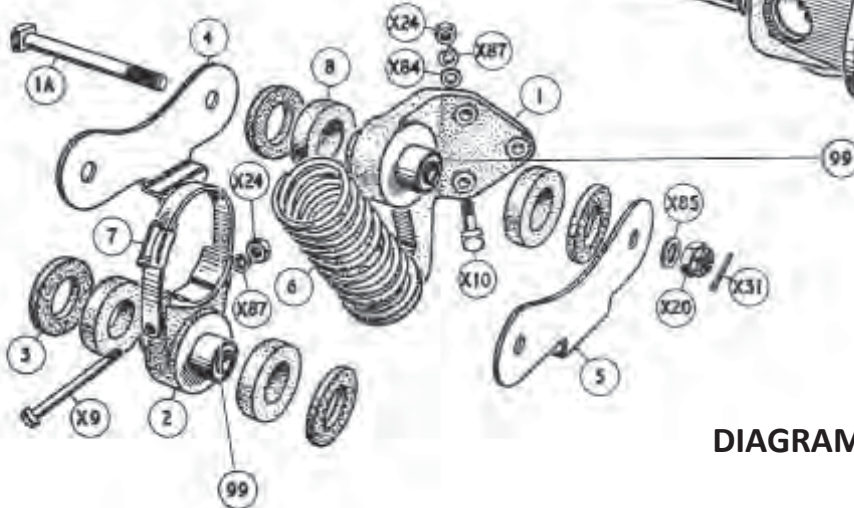
# PROPSHAFT

	Propshaft, front section	6 - H1	RG3113U
	U.J. assembly, front and rear sections (x 3)		CD4197P
	Bearing assembly, housing & bearing	1 - H1	RG3473P
	Bearing, centre	1 - H1	RG4454P
	Locking washer, centre bearing nut	7 - H1	RG3189
Up to B163HR approx	Propshaft, rear section	1 - H2	GB4444U
From B163HR approx	Propshaft, rear section	1 - H2	RG6992
	Bracket assembly, bearing support	1 - H3	RG3472U
	Silentbloc bearing, propshaft cradle & bracket (x 2)	99 - H3	RG3076
	Friction disc, propshaft cradle (x 4)	3 - H3	RG3466P
	Rubber compression disc, propshaft cradle (x 4)	8 - H3	RG3465
	Bolt, prop flange to gearbox & axle (x 8)	X2A - H1	XB8858Z
	Half nut, prop flange bolt(x 8)	X24 - H1	X4319Z

**DIAGRAM H1**



**DIAGRAM H2**



**DIAGRAM H3**

## SERVICE PARTS

By - pass oil filter	CD270P
Rubber seal for by-pass filter (not supplied with filter)	RE20661P
Full flow oil filter (original felt type)	RH2765P
Distributor cap	CD876PTP
Spark plug (NGK)	RE20608P
Spark plug (Champion)	RE20608PC
Rotor arm (original style)	RD8550P
Rotor arm (modern replacement)	CD6915P
Point set (contains 2 x RF5093P, 1 x RH8889P, 1 x RH8891P)	POINTSET
Points synchronising tool	STD910P
Wiper blade (MkVI)	RD4138P
Stop, wiper blade	RD4246P
Wiper blade (R Type)	RD7474P
Gauze, fuel filter (2 per filter)	F86423
Seal, fuel filter bowl to lid	UR796P
Felt seal, one shot lubrication pump	R3992
Brake fluid	RR363L1P



# ONE-SHOT CHASSIS LUBRICATION SYSTEM

## ONE-SHOT OIL LUBRICATION PUMP

Main pump assembly	FB4784SXR
Seal, pump to bulkhead	RF3536P
Washer pump to lower union	RF3274
Felt seal below pump filler cap	R3992
Leather seal, pump	R3962P

## CHASSIS LUBRICATION

Flexible hose, pump to chassis, ride control	RF9971P
Olive for RF9971 (2 per hose)	F85005P
Threaded bush, for olive RF9971	FB85053
Flexible hose chassis to rear spring shackle (12 inches long - MkVI & Silver Dawn)	R4521P
Flexible hose chassis to rear spring shackle (8 inches long)	RF8257P
Olive for RF8257 & R4521	RF6783
Male nut, hose	RF6780
Female nut, hose	RF6786
Drip plug (ZS1)	RE10673P
Drip plug (ZS4)	RF8308P
Drip plug (ZS2)	RE10670P
Brass piping (per foot)	BRASSPIPE

## STEERING - CENTRE LEVER

### STEERING WHEEL,COLUMN & BOX

Steering wheel	RF5974P
	RF5974U
Tube, steering cam	RF4366
Steering box assembly	RF5265SXR

### CENTRE STEERING LEVER

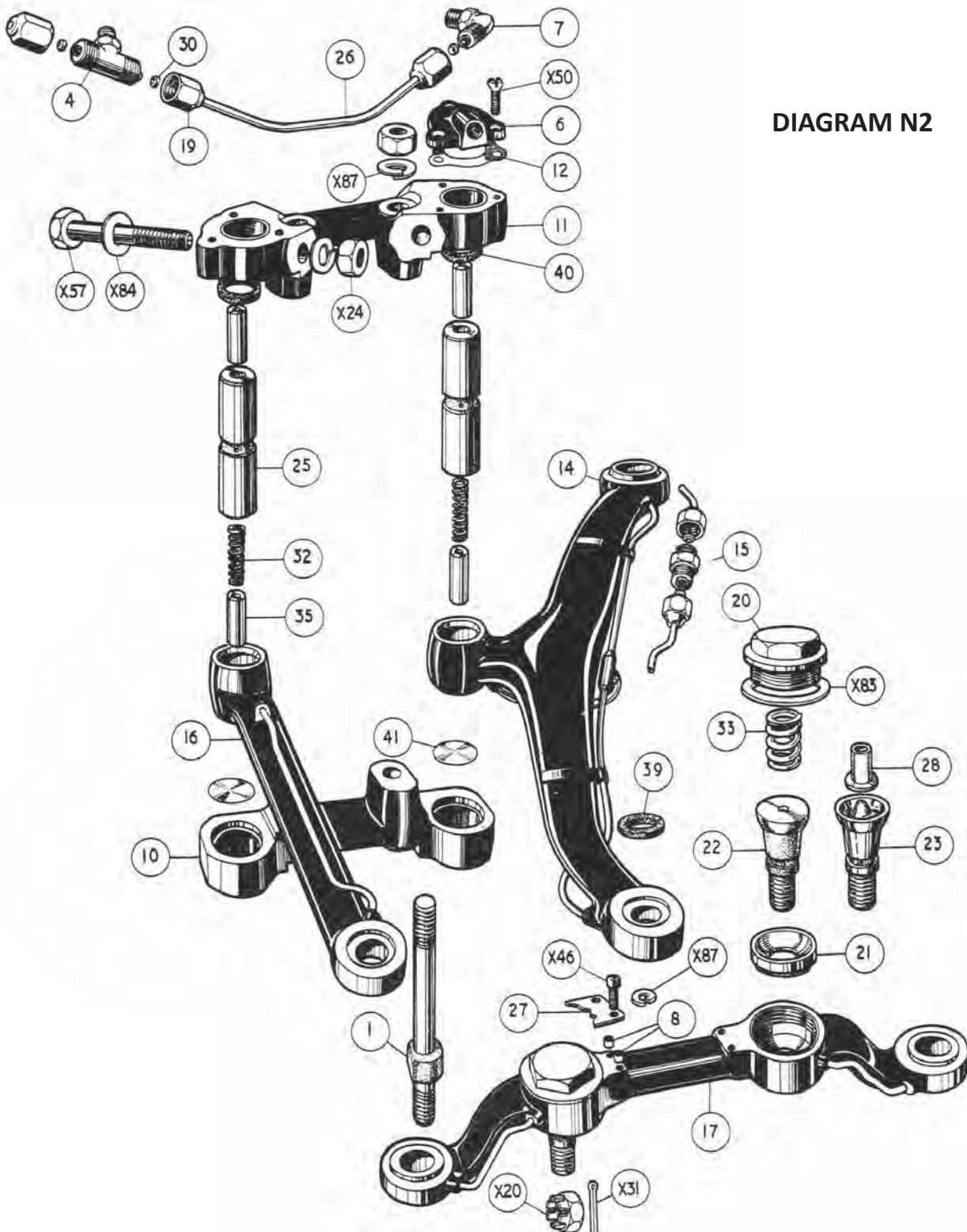
See Diagram N2 (Page 87)

	Ferrule, lock plate (4 per car)	8	RF5302
	Bush, lower bearing housing (inside housings 10 & 11)		RF6432P
	Seat, ball pin, centre steering link(2 per car)	21	GW1075NF
From B213PU	Ball pin,centre steering link (2 per car)	23	RF8287
From B213PU	Seating, spring, ball pin (2 per car)	28	RF8288
	Spring, ball pin (2 per car)	33	RF4999P
	Washer, aluminium, 1.250", ball pin	X83	WHT002911
	Fulcrum pin (2 per car)	25	RF9025P
	Spring, valve, fulcrum pin (2 per car)	22	GB4875P
	Valve, fulcrum pin (4 per car)	35	RF6433P
	Sealing washer, fulcrum pin (4 per car)	40	RF6434P
	Loan of pendulum lever extraction tool		RH657LOAN

# STEERING - CENTRE LEVER

## CENTRE STEERING LEVER

DIAGRAM N2

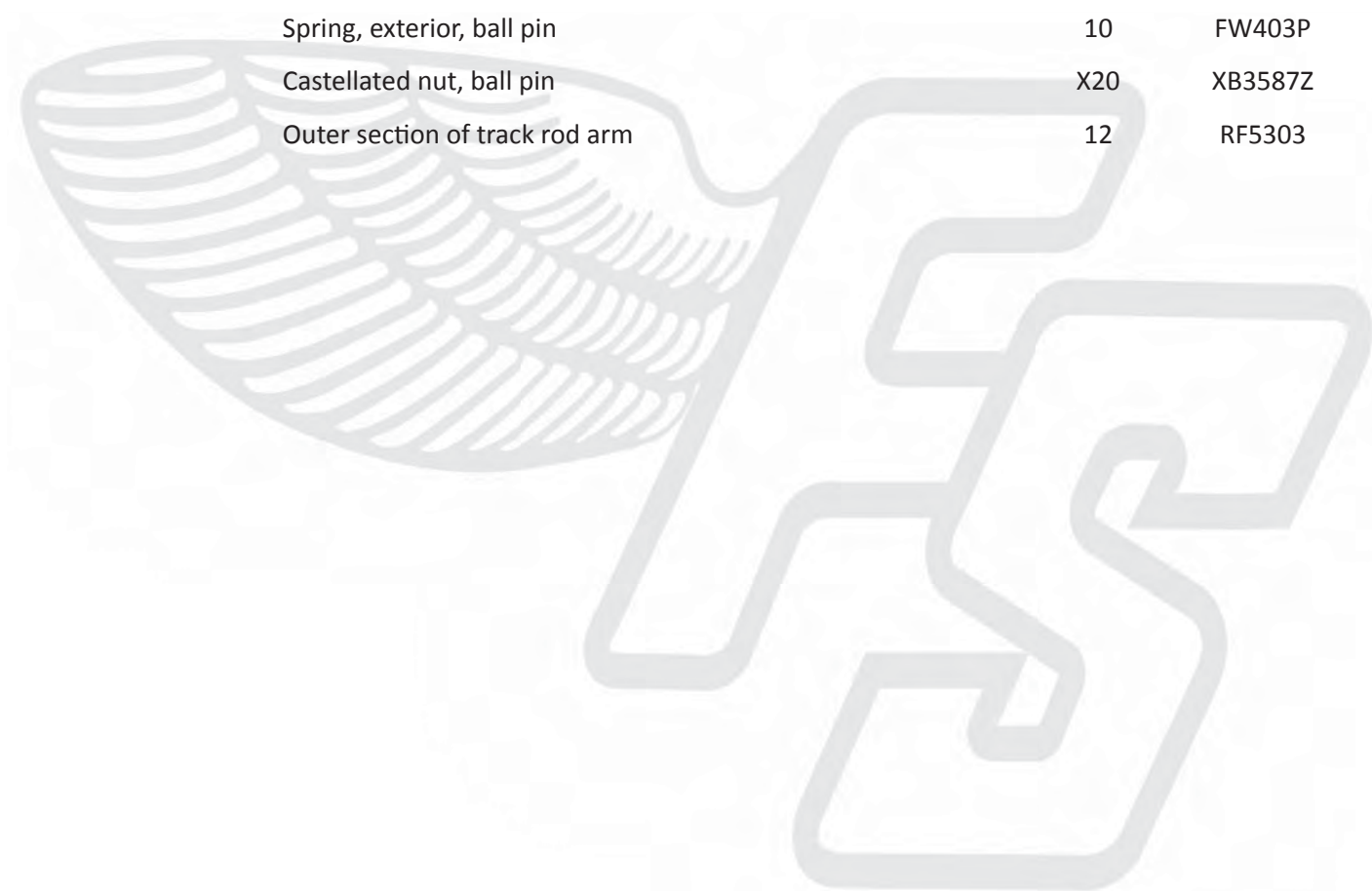


## STEERING - TRACK ROD

### CROSS STEERING TUBE/ TRACK ROD

See Diagram N6 (Page 89)

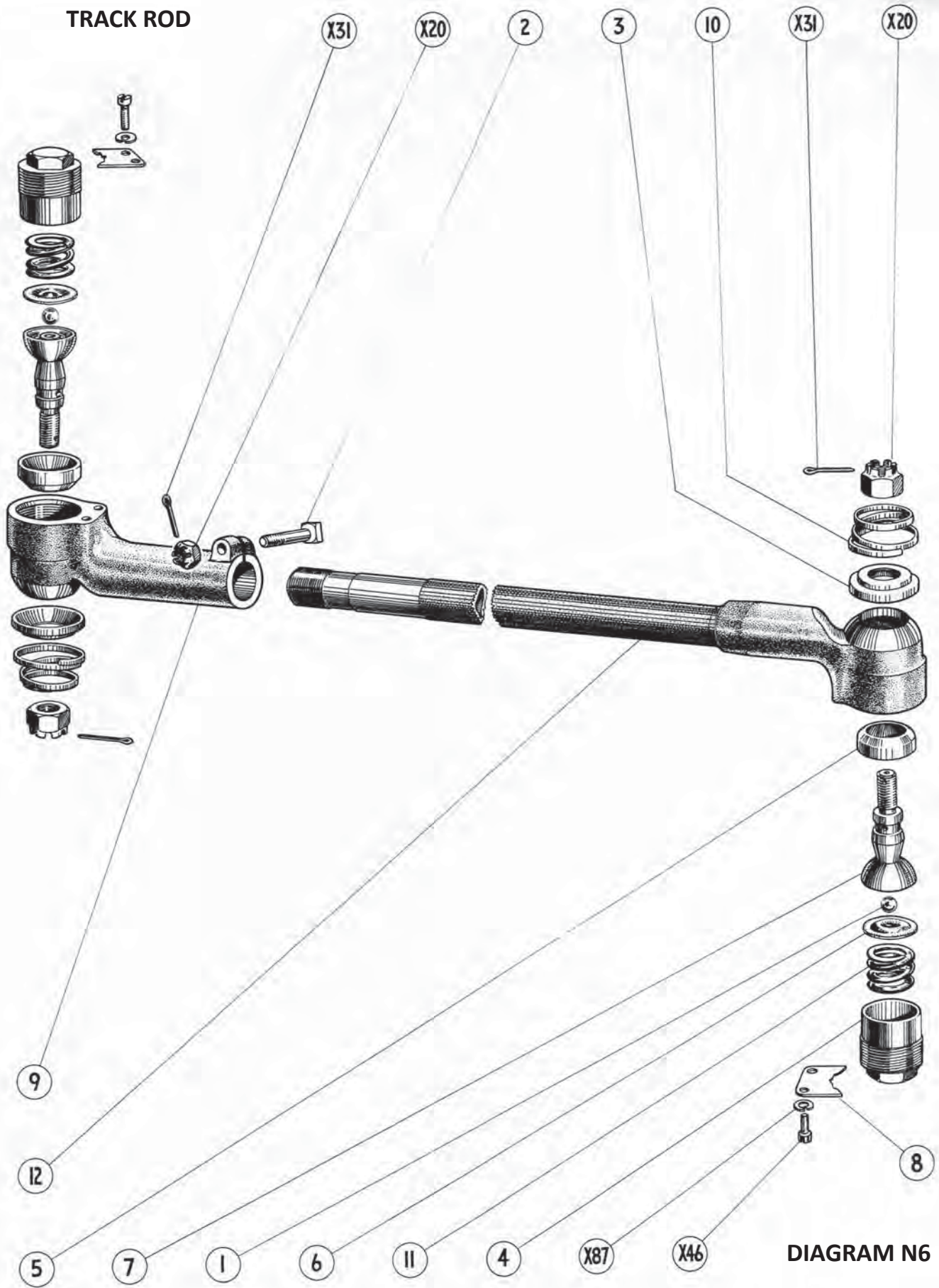
Ball pin	7	FW1903P
Seat, ball pin	5	GW1075NF
Ball bearing, ball pin	1	RG6131
Spring, interior, ball pin	11	GW1073P
Pad, spring	6	FW995
Dust excluder	3	FW1924
Spring, exterior, ball pin	10	FW403P
Castellated nut, ball pin	X20	XB3587Z
Outer section of track rod arm	12	RF5303





# STEERING - TRACK ROD

## TRACK ROD



ALL DIAGRAMS REPRODUCED WITH KIND PERMISSION OF BENTLEY MOTORS LIMITED - COPYRIGHT OF BENTLEY MOTORS LIMITED

# STEERING - SIDE STEERING TUBE

## SIDE STEERING TUBE

See Diagram N7 (Page 91)

	Ball pin	11	FW1000
	Seat, ball pin	8	FW996
	Dust excluder	3	RF3563
	Spring, dust excluder	18	FW403P
	Ball bearing	1	RG6131
	Pad, spring	10	FW995
	Spring	16	GW1073P
	Ball pin, rear socket	12	FW390AP
	Dust excluder	3	RF3563
	Spring, dust excluder	18	FW403P
	Locating washer, pendulum lever	20	FW391
Pre G series	Spring, rear socket (x 2)	17	RF4434
From G series	Spring, rear socket (x 2)	17	FB4925
From B213PU	Spring, rear socket (x 2)	17	RF9358
Pre G series	Guide, ball pin	5	RF4433
From G series	Guide, ball pin	5	FW1707

# STEERING - SIDE STEERING TUBE

## SIDE STEERING TUBE

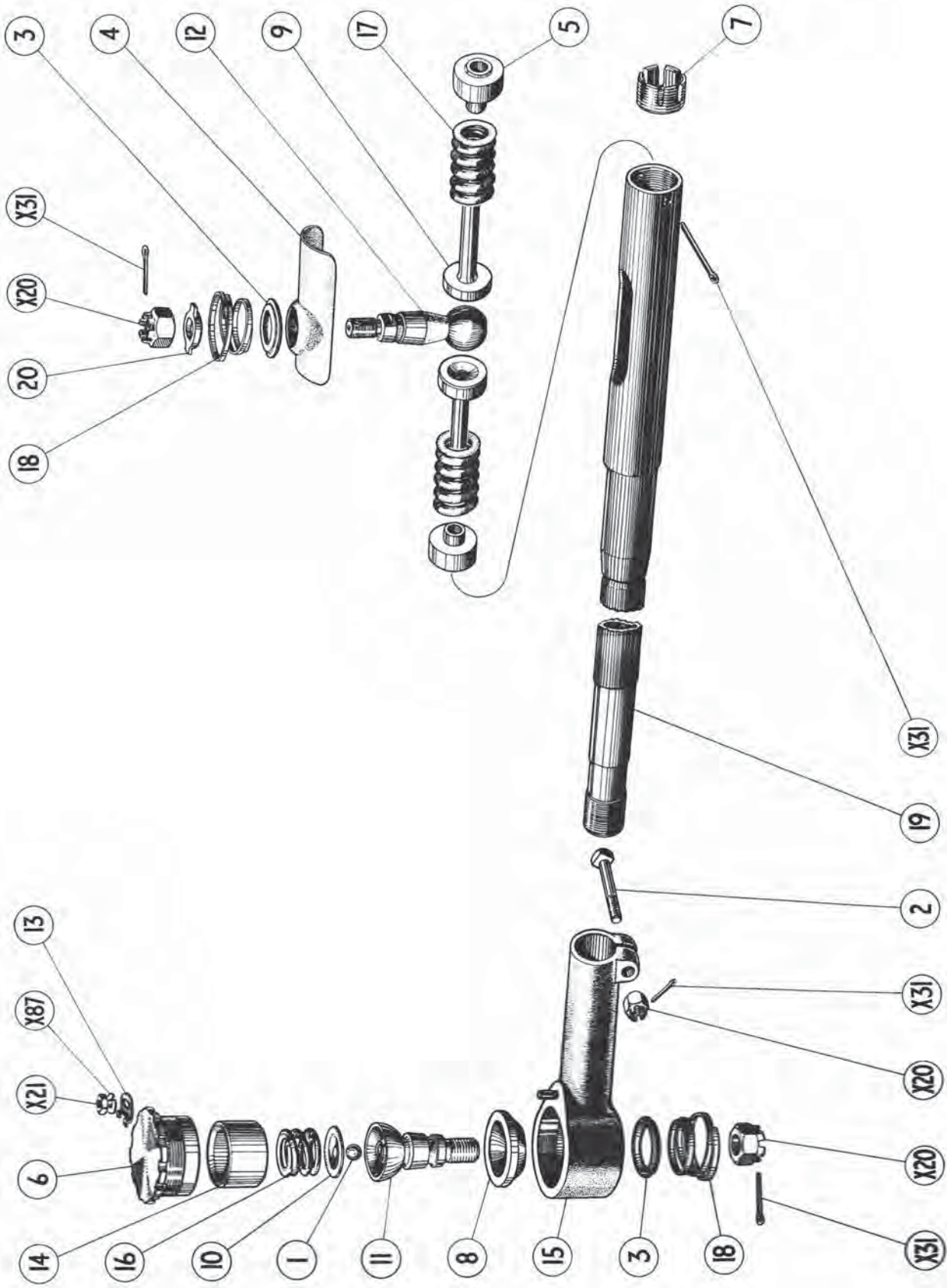


DIAGRAM N7

ALL DIAGRAMS REPRODUCED WITH KIND PERMISSION OF BENTLEY MOTORS LIMITED - COPYRIGHT OF BENTLEY MOTORS LIMITED

# FRONT SUSPENSION - KING PINS

## TORQUE ARM

Torque arm	RF6911P
Rubber seal "tennis ball"	FB3650P
Bump stop (3 stud)	RF6632P

## KING PINS

See Diagram M2 (Page 93)

### Before GT series

King pin	14	R7269P
Thrust washer below king pin	25	GW399P
Lower bearing (including needle rollers)	4	RF8366P
Needle roller, lower bearing (34 per bearing)		RF7364P
Felt seal, lower	21	GB2329
Retainer, felt seal	16	GW1960
Oil trough	17	GB2619
Upper bearing	6	GB2620P
Locktab, 0.687"	23	GB2622
Cover	8	GB2623
Nut	X24	X4331P
Oil union	18	RF6799P

### From GT series

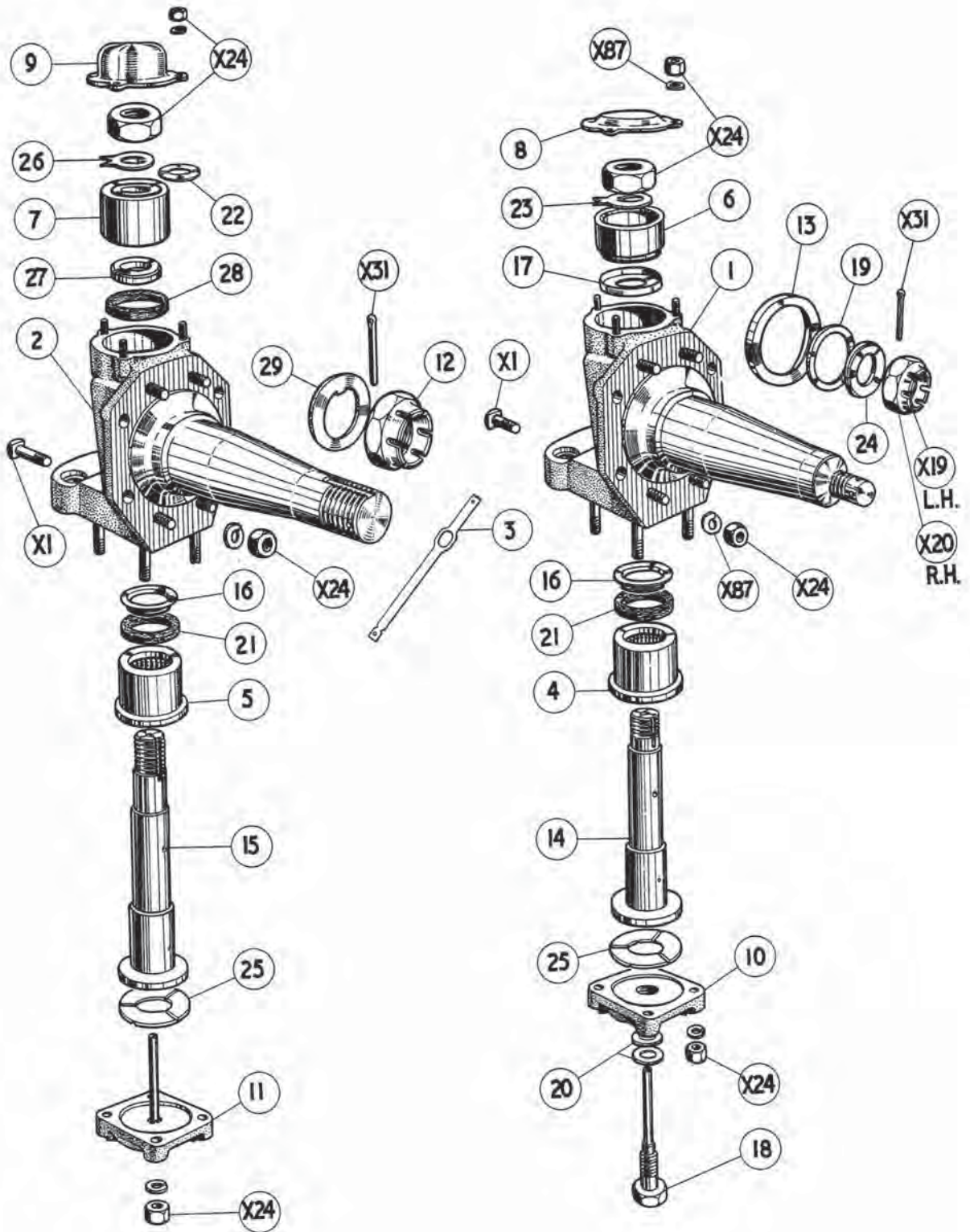
King pin kit (includes items labelled 15,7,5,X24,26,21,18,16)		RF5373KITP
King pin	15	RF5373SAP
Thrust washer below king pin	25	GW399P
Lower bearing (including needle rollers)	5	RF8366P
Needle roller, lower bearing (34 per bearing)		RF7364P
Felt seal, lower	21	GB2329
Retainer, felt seal	16	GW1960
Felt seal, upper	28	RF5378
Distance piece	27	RF5377
Upper bearing	7	RF8364P
Washer	22	RF8809
Locktab	26	RF5376P
Locking nut, 0.625"	X24	X4328Z
Cover	9	RF5375



# FRONT SUSPENSION - KING PINS

**FROM GT SERIES ON**

**UP TO GT SERIES**



**KING PINS**

**DIAGRAM M2**

ALL DIAGRAMS REPRODUCED WITH KIND PERMISSION OF BENTLEY MOTORS LIMITED - COPYRIGHT OF BENTLEY MOTORS LIMITED

## FRONT SUSPENSION

### LOWER TRIANGLE LEVER

See Diagram M3 (Page 95)

Silentbloc bush, triangle lever	4	UR1301
Lower trunion kit (per side)		GW1594K
Containing:		
Main bolt (1 per lever)	1	GW1594P
Washer, aluminium (2 per lever)	X83	XB1077
Housing (2 per lever)	3	GW800P
Needle roller (27 per housing)	9	RF7365P
Washer, adjusting 0.085" (2 per lever)	11	FB4843
Retaining washer, plain, needle rollers (2 per lever)	12	GW805P
Felt seal (2 per lever)	5	GW440
Nut, castellated (1 per lever)	X20	X4209ZP
Distance piece (1 per lever)	7	GW807P
Bearing pin (1 per lever)	8	FB3072P
Washer, plain 0.250"	X85	X4407Z

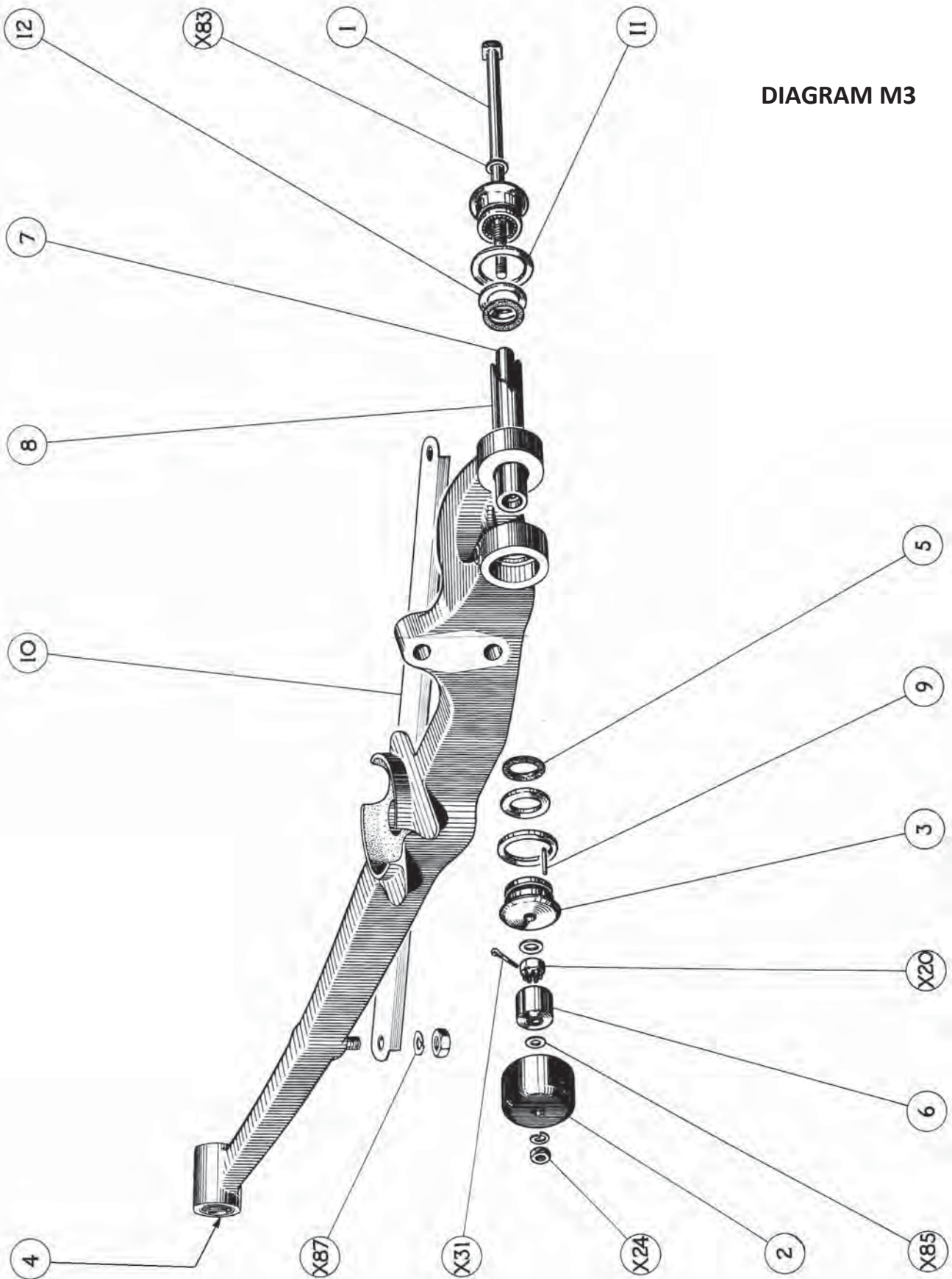
### ROAD SPRINGS

Road spring, front 13.5"	RF7192P
Road spring, front Colonial, 12.5"	RF6442
Road spring, front Colonial, 12.75"	RF9902
Plastic seat, spring, upper & lower (2 per spring)	UR15278P
Spring upper and lower (2 per spring)	RF3469
	RF3469U
Shim, adjusting height, below front spring	RF6000
Cone buffer, below spring	RF8067P
Bump stop, above spring	RF5081P

# FRONT SUSPENSION

## LOWER TRIANGLE LEVER

DIAGRAM M3



## FRONT SUSPENSION

### ANTI-ROLL BAR

Bush, main anti-roll bar (2 per car)	FW1502P
Anti-roll bar link kit, containing all of the parts below: (2 kits per car)	FB4743K
Stud, link rod ( 2 per car)	FB4743P
Nut, stud (4 per car)	X4313Z
Washer, plain (8 per car)	GW1694FC
Rubber, stud (8 per car)	FW1503P
Distance piece, stud (2 per car)	FB4493

### UPPER YOKE

Silentbloc bush, upper yoke	FB3143P
-----------------------------	---------

### SHOCK ABSORBER

Front shock absorber, (3 year warranty)	RF7958SXR
Bump stop, shock lever arm	FB4123P
Selected internal components of front shock absorber:	
Washer, filler plug, front shock absorber	XB1081R
Gasket, top cover	RF7199
Gland seal, large, shock absorber mainshaft	RF199
Gland seal, small, shock absorber mainshaft	RF200P



## REAR AXLE

### REAR AXLE

Reconditoned 12 x 41 ratio differential	AXLE1
Reconditoned 13 x 40 ratio Continental differential	AXLE2
Bearing, half shaft (2 per car)	RG4411P
Bearing, thrust pinion	RG4956P
Locking washer, pinion bearing retaining nut	GB4638P
Nut, pinion bearing retaining	XB3521
Felt seal, pinion	G83619P
Locking washer, pinion end nut	XB7116
Nut, pinion end	UA11443Z
Seal, RH & LH end plate	RG4264P
Washer, drain plug, breather & oil level plug	XB1084P
Sump plug	RG3744

### REAR AXLE SHAFTS

MkVI/ R Type/ S.Dawn	Half shaft RH	RG4346U
	Half shaft RH (Reconditoned inc new wheel bearings)	RG4346SXR
	Half shaft LH	RG4345U
	Half shaft LH (Reconditoned inc new wheel bearings)	RG4345SXR
	Bearing, half shaft	RG5365P
SWB S.Wraith only	Half shaft assembly RH	RG7022U
	Half shaft only RH	RG3192
	Half shaft assembly LH	RG7023U
	Half shaft only LH	GB4635
	Bearing, axle shaft	UG2939P

### WHEEL STUDS & NUTS

Wheel stud RH	GB3832U
Wheel stud LH	GB4468U
Nut, wheel stud retaining	X4322Z
Wheel nut LH	GB4469P
Wheel nut RH	GB4470P

### AXLE TUBES

MkVI & S.Dawn (short boot)	Axle tube LH	RG7018U
	Axle tube RH	RG7019U
R Type & S.Dawn (big boot)	Axle tube LH	RG7430U
	Axle tube RH	RG7431U
Silver Wraith	Axle tube LH	RG7025

## REAR AXLE - MkVI

### REAR AXLE MOUNTING (MKVI)

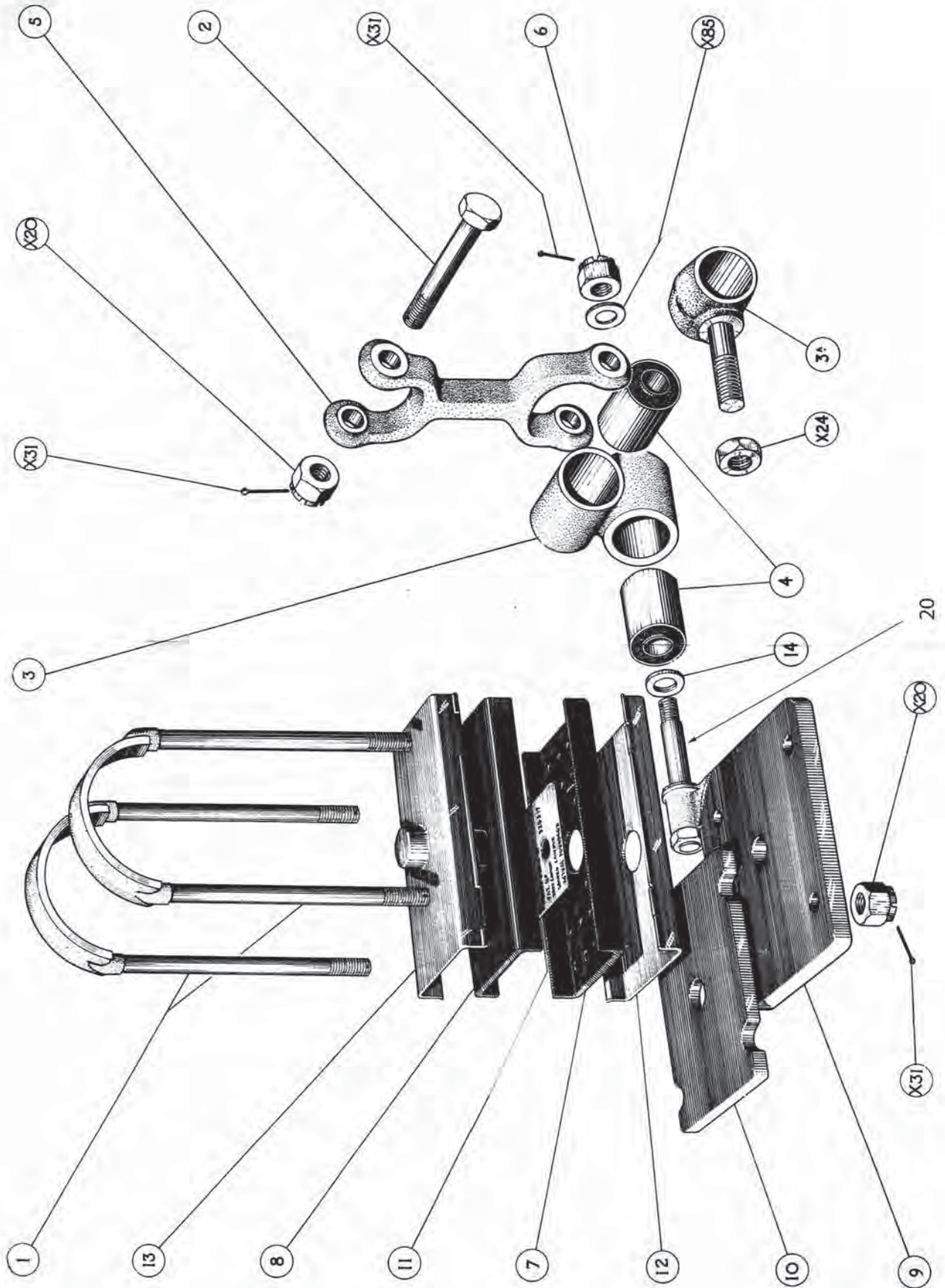
See Diagram O1A (Page 99)

Bump stop, rear axle to chassis (2 per car)			FB4606P
U bolt, rear axle tube	1		RF3269U
Shield, upper	13		FB4829P
Shield, lower	12		FB4828P
Rubber pad, upper shield	8		FB3045P
Rubber pad, lower shield	7		FB3046P
Link bracket	31		RF8258
(This link bracket was fitted as standard to all late MkVI's and as a modification to early MkVI's.)			
B106HR to R series	Nut for link bracket RF8258 and pin RF8256	X24	X4322Z
Silentbloc bush, damper link rod to rear spring	4		RF7157P
(Up to VIN B106HR there were 2 bushes fitted per side. From B108 HR there was one bush fitted per side)			

# REAR AXLE - MkVI

## MkVI REAR AXLE MOUNTING

## DIAGRAM O1A

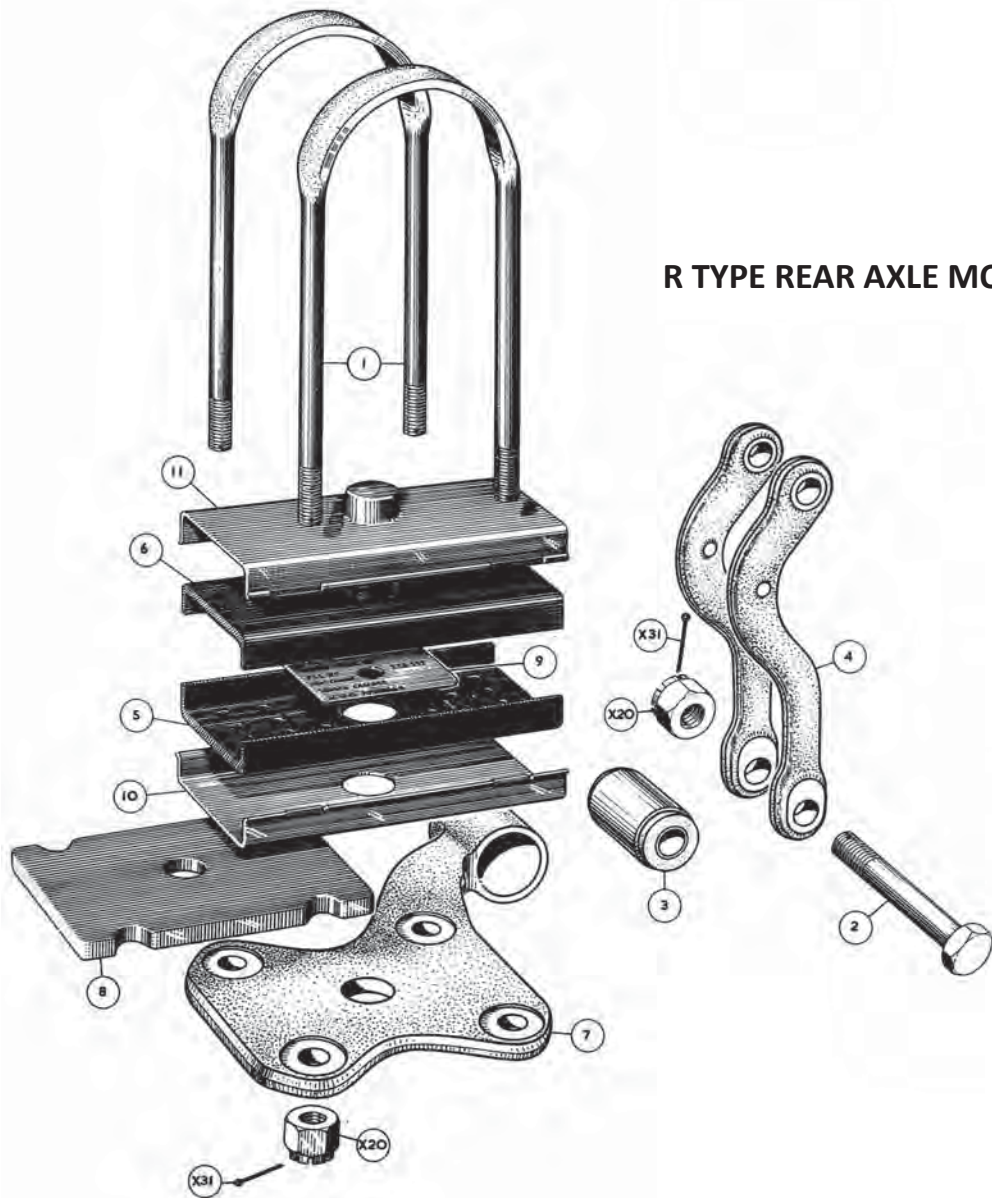


ALL DIAGRAMS REPRODUCED WITH KIND PERMISSION OF BENTLEY MOTORS LIMITED - COPYRIGHT OF BENTLEY MOTORS LIMITED

# REAR AXLE - R TYPE

## REAR AXLE MOUNTING (R TYPE)

Bump stop, rear axle to chassis (2 per car)		FB4606P
U bolt, rear axle tube (for 1000-1400lb rear springs)	1	RF9399
Shield, upper and lower pad	10/11	FB4729
Rubber pad, upper shield	6	FW1795P
Rubber pad, lower shield	5	FW1796P
Silentbloc bush (1 per side)	3	RF7157P
Attachment plate, RH	7	RF9104
Attachment plate, LH	7	RF9105



**DIAGRAM O1B**



## REAR SHOCK ABSORBERS & SPRINGS

### REAR SHOCK ABSORBER

Rear shock absorber RH, reconditioned exchange (3 year warranty)	FW1927SXR
Rear shock absorber LH, reconditioned exchange (3 year warranty)	FW1926SXR
Silentbloc bush in the end of the shock arm	RF7157P
Bump rubber, rear shock absorber	RF7138P

Selected internal components for rear shock absorbers:

Gasket, top cover	F75074
Ring, pressure gland	F85334
Gland seal, main pivot	F89727P
Spring, gland	F61163
Washer, filler plug	XB1079RP
Joint, cylinder to bellows (x 3)	F100989
Piston, bump and rebound per pair	RF3950
Disc, expanding, piston (x 2)	F59279
Bellows, ride control	F85395P
Cover, bellows LHR shock absorber	FB1157
Cover, bellows RHR shock absorber	FB1156

### REAR SPRINGS & GAITERS

Please contact us for details of second hand springs that we have in stock

LWB Silver Wraith (A-D Series)	Rear spring assembly 1220lb inc gaiters	RF8994
	Leather gaiter, front (MkVI) (1 per spring)	FB4928P
	Leather gaiter, rear (MkVI) (1 per spring)	FB4929P
	Leather gaiter, front (R Type 6 leaf spring) (1 per spring)	RF9341P
	Leather gaiter, rear (R Type 6 leaf spring) (1 per spring)	RF9342P
	Leather gaiter, front (R Type 7 leaf spring) (1 per spring)	RF9343P
	Leather gaiter, rear (R Type 7 leaf spring) (1 per spring)	RF9344P
	Leather gaiter, front (R Type 8 leaf spring) (1 per spring)	RF9345P
	Leather gaiter, rear (R Type 8 leaf spring) (1 per spring)	RF9346P

# REAR SPRING SHACKLES

## REAR SPRING SHACKLES

For lubrication hoses : see page 85

MkVI	Shackle pin, front	6	FB5242P
	Bush, front shackle pin	20	FB4095P
R Type	Shackle pin, front	6	RF3440P
	Bush, front shackle pin	20	FW1857P
	Seal, front shackle pin, inner, large	11	FW1694P
	Seal, front shackle pin, outer, small	12	FB4188P
	Castellated nut, front shackle pin	X20	XB3601Z
MkVI	Shackle pin, rear	7	RH12332P
MkVI	Bush, rear shackle	1	FB4332P
MkVI	Distance piece, inner to outer shackle	5	FB4544
R Type	Shackle pin, rear	7	RF7635MPP
R Type	Bush, rear shackle	1	RF7636
	Seal, rear shackle, inner, small (2 per spring)	13	CK612
	Seal, rear shackle, outer, large (2 per spring)	14	CK610P

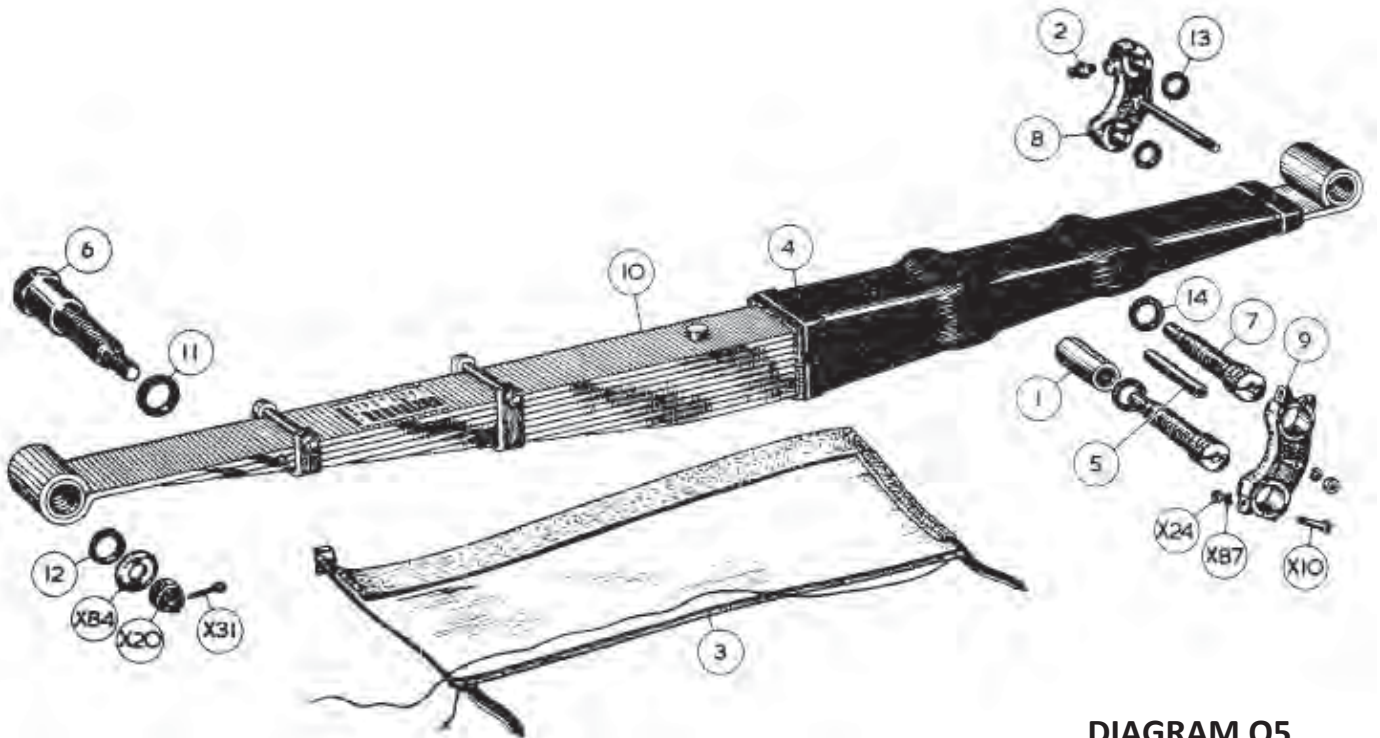


DIAGRAM O5

# TOOLS

Please be aware that the tools listed below are very rare; we cannot, therefore, guarantee availability.

Please contact us should you be interested in any tools.

Tools relating specifically to the Silver Wraith are listed on page 106

## MAIN TOOLS (Located in boot or in engine bay)

### See Diagram B1 (Page 105)

Tommy bar, 3/16" diameter	1	RF5941U
Tommy bar, 13/32" diameter	1	RF4381
Wheel brace	2	RF9084U
Oil can	5	RF6712
		RF6712U
Bracket, oil can support		RE4827U
Clip, oil can to inner wing		RB5949
Grease gun	9	RF9081U
Clip, grease gun to inner wing (2 per gun)		RB5950
Jack handle (for Dunlop bottle jack)	10	RF6018U
Starting handle (Home market)	11	RE18068U
Starting handle (R Type Continental & LWB Silver Wraith)		RE18339U
Clip, starting handle to inner wing (3 per handle)		RE4823U
Bottle jack, Dunlop,(jack only)	13	RF6019U
Tyre lever, 9" long (3 per car)	15	RF5595U
Tyre lever, 18" long (3 per car)	15	RF4392U
Tyre pump, Kinsman	17	RF4515
Hub nut spanner	26	RF3851P
		RF3851U
Clip, hub nut spanner, boot floor		RB3753
Bracket, hub nut spanner, boot floor		RB3754
Oil syringe	28	RF9082U
Clip, oil syringe to inner wing (2 per syringe)		RE4825U
Inspection torch (not shown)		RD5454U
Clip, inspection torch to bulkhead (2 per torch)		RF6473

# TOOLS

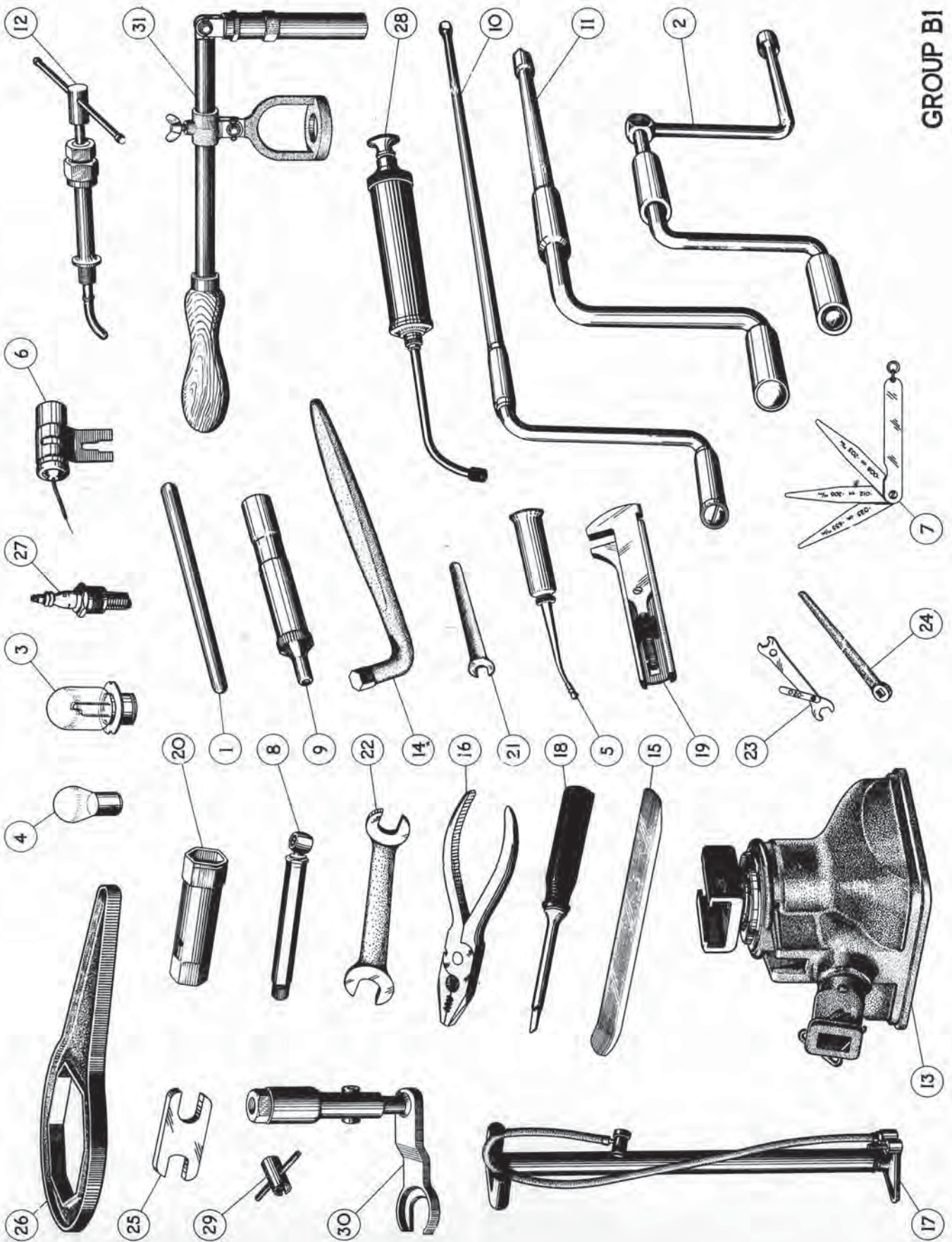
## SMALL TOOLS (In tool tray)

See Diagram B1 (Page 105)

Complete tool tray assembly (Under dash)		RB5339U
Complete tool tray assembly (Under seat)		RF9404U
Foam insert for tool tray		RF7200U
Tray, underdash, toolbox & handbook		RW7106U
Bulb, headlamp 12V 48W (Home market)	3	RF4516P
Bulb, sidelamp 12V 3W	4	RD5085P
Feeler gauge	7	RF6616U
Tyre pressure gauge (Dunlop)	8	RF5279U
Lever, drain plug	14	RF5951U
Pliers	16	RF5949U
Screwdriver (Hardwood handle)	18	UE5082P
Screwdriver (Hardwood handle)	18	UE5082U
Screwdriver (Black bakelite handle)		RH7234U
Adjustable spanner	19	RF6613U
Box spanner, 7/16" & 1/2" BSF (Spark plug)	20	RF5939U
Jaw spanner, 2BA	21	RF5908U
Jaw spanner, 1/4" BSF		RF5910U
Jaw spanner, 5/16" BSF		RF5916U
Jaw spanner, 5BA & 3BA	22	RF5906U
Jaw spanner, 5/16" & 3/8" BSF		RF5912U
Jaw spanner, 7/16" & 1/2" BSF		RF5914U
Feeler gauge, ignition points (0.020")	23	RF6612P
		RF6612U
Spanner, inlet valve tappet	24	RF5945U
Spanner, exhaust valve tappet	25	RF8406U
Spark plug	27	RE20608P
Tyre valve tool	29	RF6614U



# TOOLS



GROUP B1

# TOOLS

## WORKSHOP TOOLS

See Diagram B1 (Page 105)

Ignition points setting tool (not shown)		STD410P
Valve holder	12	RF5214U
Tool for compressing exhaust valve spring	30	RF4385U
Tool for compressing inlet valve spring	31	RF4391U
Brake shoe alignment tool (not shown)		RH627P
Thermostat extraction tool		RH639P
Loan of thermostat extraction tool		RH639LOAN

## SILVER WRAITH TOOLS

Feeler gauge, Moore & Wright		UR985U
Grease gun		RF6615U
Pliers, Elliot Lucas (Originally UR1053)		UR4483U
Screwdriver (UR957)		UE5082U
Spanner, adjustable (UR1054)		UR4484
Spanner, combination (UR960)		UE5078
Spanner, box, spark plug (UR965)		RH9714
Spanner, tappet		UR4769U
Spanner, 5/16" & wrench ring extension		UR964U
Spanner, 1/4" UNF & wrench ring 3/8" UNF		UR1308U
Spanner, wheel disc		RF9292U
Oil syringe		RF5992U
Screwdriver		UE5082P

## WHEELS & TYRES

### TYRES

670 X 16 DUNLOP RS5 CROSSPLY TYRE	670X16DUNLOPBW
650 X 16 FIRESTONE BLACK WALL TYRE	650X16FIRESTONE
650X17 DUNLOP BLACK WALLTYRE	RG3488P
650X17 FIRESTONE BLACK WALL TYRE	650X17FIRESTONEBW
650X17 FIRESTONE 3 1/4" WHITE WALL TYRE	650X17FIRESTONEWW
650X17 LESTER BLACK WALL TYRE	650X17LESTERBW
650X17 LESTER 4" WHITE WALL TYRE	650X17LESTERWW

### WHEELS

A - F series	Road wheel, 650 x 16	RG4437AU
G series on	Road wheel, 650 x 16	RE10462AU
A - F series	Road wheel, 650 x17	RG4440AU
(Silver Wraith)	Rubber pad, road wheel to hub cap (3 per wheel)	RG6547P
	Wheel nut, LH (5 per wheel)	GB4469
		GB4469U
	Wheel nut, RH(5 per wheel)	GB4470
		GB4470U
	Wheel stud RH	GB3832U
	Wheel stud LH	GB4468U
	Nut, wheel stud retaining	X4322Z

## WHEELS - HUBS & HUB CAPS

### FRONT HUBS

#### A - F series

Cover, inner, oil retaining, LHF hub	RG3743
Cover, inner, oil retaining, RHF hub	RG3742
Wheel bearing, inner, front hub	RG7081P
Hub, LH & RH front	RG3209
Wheel bearing, outer, front hub	RG7077P

#### GT series on

Cover, inner, oil retaining, LHF hub	RG4940
Cover, inner, oil retaining, RHF hub	RG4320
Wheel bearing, inner, front hub	UG13556/7P
Hub, LH & RH where wheels studs are retained by splines	RG4908
Wheel bearing, outer, front hub	UG13546/7P

### REAR HUBS

Rear hub, LH & RH	RG7393
-------------------	--------

### HUB CAPS

#### A - F series

Hub cap assembly	RG6336U
------------------	---------

#### See Diagram T1 (Page 109)

From G series on, MkVI, R Type & Silver Dawn:

Centre cap, Bentley	2	RG7047P
Centre cap, RR	2	RG7048
Inner disc, chrome	3	RG6470U
Inner disc, painted	3	RG7484P
Outer disc, aluminium	4	RG7483P
Centre disc, chrome	5	RG6476P
Retaining ring	6	RG6342
Sealing ring	7	RG6956P
Rubber pad, hub cap to wheel	10	RG6547P
Hub nut removal spanner		RF3851P
		RF3851U



# WHEELS & TYRES

## HUB CAP

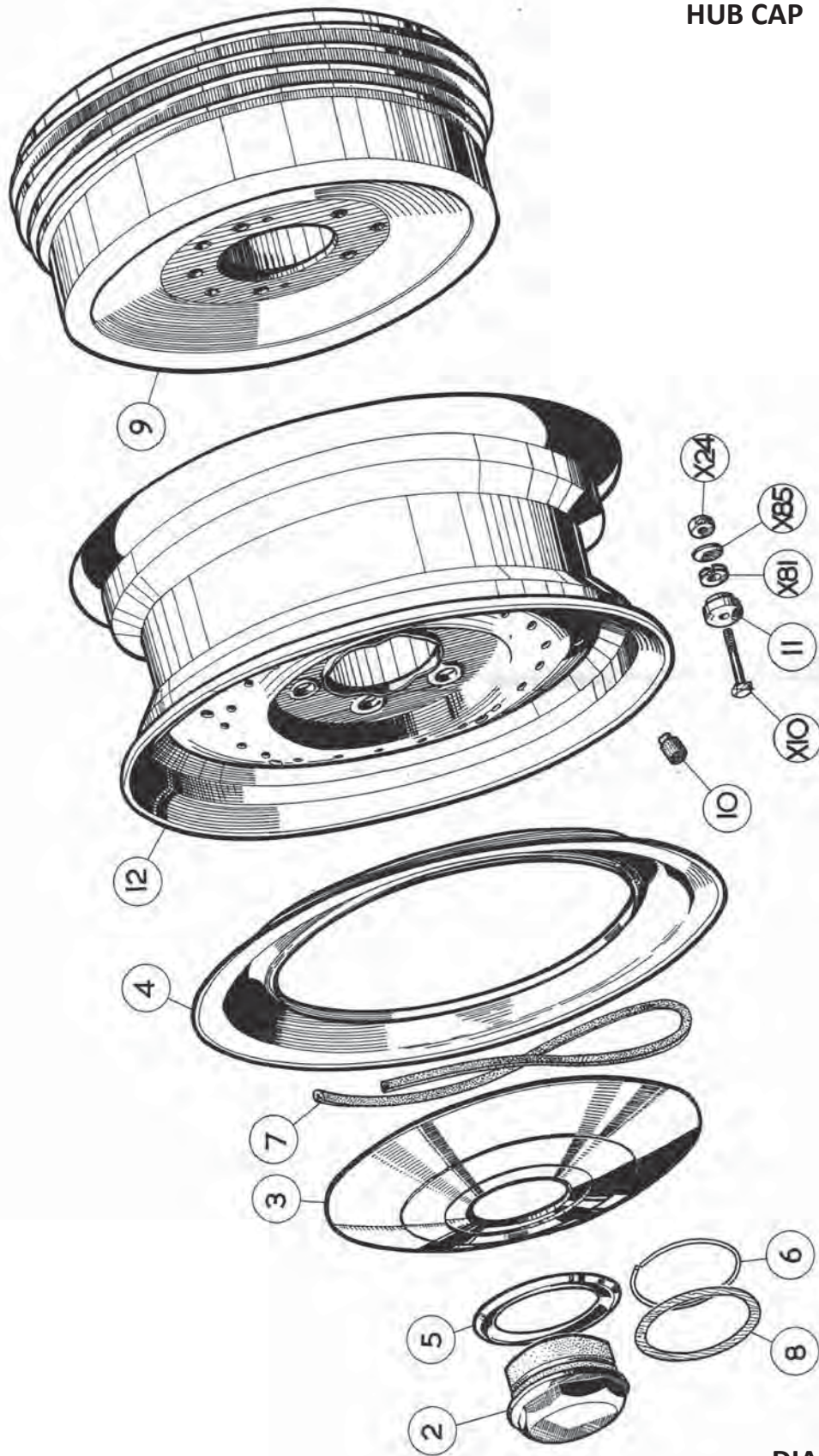


DIAGRAM T1

# FLYING SPARES - TERMS & CONDITIONS OF SALE

## SHIPPING

Flying Spares make every endeavour to ensure that your goods arrive in a satisfactory condition.

No claims for damage, loss or short delivery can be accepted once a consignment has been signed for as 'Received in good condition.' Once a parcel leaves our premises, we have no control over the delivery of that parcel, as such Flying Spares accept no responsibility for late delivery of a parcel and any ongoing costs incurred.

## ESTIMATED SHIPPING COSTS

Sometimes it may be necessary to estimate delivery charges on your invoice.

Whilst we make every attempt to correctly estimate these costs at the time of invoicing, we reserve the right to charge customers any additional shipping charges / local duties that are due.

## GUARANTEES & WARRANTIES

All used parts supplied are guaranteed for 3 months from the date of invoice.

If you are not satisfied with a used part that we have supplied, we will replace it or re-imburse you but only up to the value of the part on the original invoice.

All reconditioned parts are guaranteed for 12 months from the date of invoice.

Warranties against faulty parts are limited to the value of the original part and will not cover any costs incurred for labour, failure of a related component, failure due to incorrect installation or misuse of the component.

## RETURNS

Parts correctly supplied that are returned for credit through no fault of Flying Spares, will be liable to a 15% handling charge. Please note that parts specially ordered on behalf of a customer from Bentley Motors will not be accepted for credit as these parts cannot be returned to Bentley.

## SURCHARGES

Parts supplied with a surcharge against the exchange unit will have the surcharge refunded in full if Flying Spares are in receipt of a serviceable core unit within 28 days of the date of the invoice. If they are not received within this time, Flying Spares reserve the right to reduce the amount of surcharge refunded.

## STRIKES, LOCK OUTS ETC

Flying Spares shall not be held responsible for non-supply of an order owing to an act of God, war, disease, strike, lock-outs, fire or any other accident or incident of any nature whatsoever that is beyond the control of Flying Spares

## PAYMENT

All parts remain the property of Flying Spares Limited until full and final payment is received.

TELEPHONE : 01455 292949 - FAX : 01455 292959 - EMAIL : [sales@flyingspares.co.uk](mailto:sales@flyingspares.co.uk)

WEBSITE : [www.flyingspares.com](http://www.flyingspares.com)

# TABLE OF CONTENTS

IF THERE IS A PART YOU CANNOT FIND IN OUR PARTS LIST, PLEASE DO NOT HESITATE TO CONTACT US

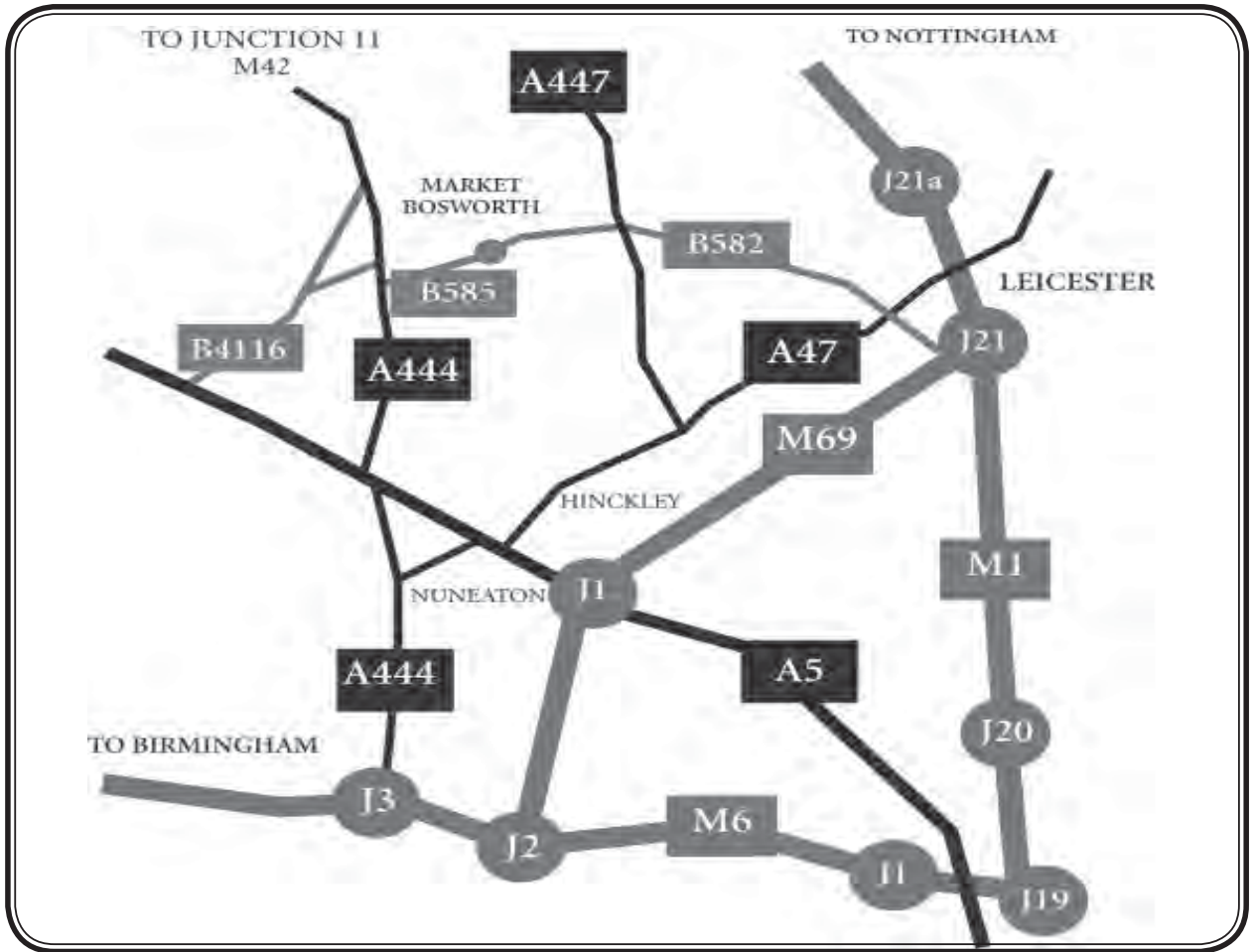
AERIAL, 34	DOOR HANDLE, 12-14	KING PIN, 92	STROMBERG CARBURETTER, 72
ANTI-ROLL BAR, 96	DOOR SEAL, 7	LAMPS, 32, 33, 34	SU CARBURETTER, 70
AXLE, 97-100	DOORS, 12, 13, 14	LINERS, 38	SUMP, 49
BADGES, 9	DRIVE BELTS, 26, 37	MANIFOLD, 55-66	SUN ROOF, 11
BATTERY, 28	DYNAMO, 27	MASCOTS, 9	SWITCHBOX, 28
BEARINGS, 39	ENGINE GASKETS, 40-43	MASTER CYLINDER, 20	SWITCHES, 35, 82
BLOWER MOTOR, 22	ENGINE MOUNTS, 37	MIRRORS, 14	TAX DISC HOLDERS, 5
BODY MOUNTS, 6	EXHAUSTS, 55-66	MOULDING, 6	THERMOSTAT, 26
BODY REPAIR PANELS, 15-17	FAN BELTS, 26, 37	OIL FILTER, 36, 84	TOMMY BAR, 103
BONNET, 10	FLYING LADY, 9	OIL PUMP, 36	TOOLS, 103-106
BOOT HANDLE, 10	FLYWHEEL, 77, 78	ONE-SHOT SYSTEM, 85	TOP HOSE, 22
BOOT LID, 10	FOG LAMPS, 32	OVERRIDER, 11, 12	TORCH, 103
BOOT SEAL, 7	FOOT PUMP, 103	PARTS LISTS, 5	TORQUE ARM, 92
BOTTOM HOSE, 22	FUEL FILTER, 68	PISTONS, 38	TRACK RODS, 88
BRAKE DRUMS, 18	FUEL PUMP, 67	POINTS SET, 80	TRIANGLE LEVER, 94
BRAKE FLUID, 18	FUEL TANK, 76	PROPSHAFT, 83	TRUNION, 94
BRAKE HOSES, 18	FUSES, 27	RADIATOR, 26	TYRES, 107
BRAKE SERVO, 20, 21	GAUGES, 81	RADIO, 34	UNDERSHEETS, 54
BRAKE SHOES, 18	GEARBOX MOUNTS, 37, 77	REAR AXLE, 97	VALVES, 52, 53
BUMPERS, 11, 12	GEARBOX, 78, 79	REAR SPRING SHACKLES, 102	WASHER BOTTLE, 35
BY-PASS HOSE, 22	GRILLE & VANES, 9	REVERSE LAMPS, 33	WATER PUMP, 25
CAMSHAFT, 52	HALF SHAFT, 97	RIDE CONTROL, 85	WHEEL BEARING, 108
CARBURETTERS, 71-75	HANDBOOKS, 5	RING GEARS, 77, 78	WHEEL BRACE, 103
CENTRE STEERING LEVER, 86	HANDBRAKE, 18	ROCKER SHAFT, 48	WHEEL CYLINDERS, 19
CHOKE, 69	HEAD GASKET, 40, 42	ROTOR ARM, 80	WHEELS, 107
CHROME MOULDINGS, 6	HEADLAMPS, 32	SCREEN SEAL, 7	WINDSCREENS, 7, 14
CIGAR LIGHTER, 27	HEATER TAP, 22	SHOCK ABSORBER, 96, 101	WIPER ARM, 35
CLOCK, 81	HEATER, 22	SIDE STEERING TUBE, 90	WIPER BLADE, 35
CLUTCH, 77	HORN, 27	SILLS, 15	WIPER MOTOR, 35
COIL, 80	HOSES, 22	SPARK PLUGS, 80	WIPERS AND WASHERS, 35
CONDENSOR, 80	HUB CAPS, 108	SPEEDO, 81	WORKSHOP MANUALS, 5
CRANKSHAFT DAMPER, 50	HUBS, 108	SPRING GAITERS, 101	YOKE, 96
CRANKSHAFT, 50	IGNITION, 80	SPRINGS, 94, 101, 102	ZENITH CARBURETTER, 74
CROSS STEERING TUBE, 88	INSTRUMENTS, 81	STARTER DRIVE, 29	
CYLINDER HEAD, 47	JACK, 103	STARTER MOTORS, 28	
DISTRIBUTOR CAP, 80	KEY RINGS, 5	STEERING BOX, 86	

TELEPHONE : 01455 292949 - FAX : 01455 292959 - EMAIL : [sales@flyingspares.co.uk](mailto:sales@flyingspares.co.uk)

WEBSITE : [www.flyingspares.com](http://www.flyingspares.com)



## LOCATION - HOW TO FIND US



LOCATED IN MARKET BOSWORTH, WE ARE CONVENIENTLY PLACED IN THE CENTRE OF THE MOTORWAY NETWORK. ONLY MINUTES FROM THE M6, M1, M42 AND M69.



# **Flying Spares Limited**

**Rosendale House  
Station Road Industrial Estate  
Market Bosworth  
Warwickshire  
CV13 0PE  
UK**

**Telephone : 01455 292949**

**Fax : 01455 292959**

**Email : [sales@flyingspares.co.uk](mailto:sales@flyingspares.co.uk)**

**Website : [www.flyingspares.com](http://www.flyingspares.com)**