

INSTRUCTIONS FOR ORDERING SPARE PARTS

To avoid delay through inaccurate interpretation, it is of great importance that the information detailed in the following paragraphs be strictly adhered to when placing orders.

CAR TYPE

Always quote the engine and chassis numbers except when Stock Orders are placed, in which case the Year and Model must be indicated.

If Gearbox components are required it is necessary to quote on the order the **serial number** of the Gearbox, together with any **prefix or suffix letters** which may be indicated.

The Serial numbers are stamped on a brass plate which is fitted on the right-hand side of the Engine Compartment and also on the Units referred to above.

DETAILS OF PARTS REQUIRED

When ordering, the most complete information should be given to enable us to deal with your requirements expeditiously and to minimise delay in the despatch of the goods. Therefore we strongly recommend that the following procedure be adopted:—

- (1) Identify part with technical description in catalogue.
- (2) On order, quote (a) part number, (b) technical description.

Note: In no case should the illustration plate number be given.

- (3) If doubt exists as to the part number or technical description, a dimensioned sketch will assist in the interpretation of the order, or, alternatively, the old part should accompany the order as a pattern. When patterns are sent, it is **most important** that they be labelled, indicating the name and address of the sender, together with any reference such as order number, etc. Patterns will not be returned unless instructions to that effect accompany the order. In the absence of such instructions, patterns will be scrapped after retention for a period of ONE WEEK.
- (4) To order in "sets" is misleading. Please, therefore, **state the specific quantity required.**

SPECIAL ATTENTION

Particular attention is drawn to the fact that when such items as wings, doors, door glasses, etc., are required, care should be taken to indicate whether they are located on the left-hand or right-hand side of the car. The position is determined by the driver's own left or right hand when seated in the car.

Orders for any coloured parts such as carpets, casings, etc., should clearly state the precise colour required.

DESPATCH INSTRUCTIONS

The full address of the destination to which the goods are to be sent, together with that of the customer, should be clearly defined.

Whilst every effort will be made to observe customers' wishes as to the mode of transport, it is the normal custom to utilize the quickest possible method, whether it be post, passenger train or road transport, this being dependent upon the size and weight of the package and the destination to which it is to be sent.

PRICES

Current retail prices shown in the Jaguar Parts Master Price List are subject to alteration without notice, and are for delivery at Works. Postage, carriage and packing will be charged extra.

DAMAGE BY FIRE OR ACCIDENT

Whilst every precaution is taken, we do not accept liability for damage which may be caused by fire to any motor car or part thereof entrusted to us for any purpose whatsoever. Nor is liability accepted for accidental damage.

INDEX TO SECTIONS

DESCRIPTION OF SECTIONS	PAGE No.	PLATE
ACCELERATOR CONTROLS (R.H. DRIVE)	44—46	9
ACCELERATOR CONTROLS (L.H. DRIVE)	48—50	10
AIR CLEANER INSTALLATION	41—42	8
BODY FITTINGS (OPEN CARS)	176—211	38—43
BODY FITTINGS (FIXED HEAD COUPE)	232—268	46—50
BODY SHELL (OPEN CARS)	164	—
BODY SHELL (FIXED HEAD COUPE)	219—221	—
BODY UNDERFRAME AND PANELS (OPEN CARS)	165—173	36—37
BODY UNDERFRAME AND PANELS (FIXED HEAD COUPE)	222—229	44—45
BRAKE CONTROLS	118—122	26
BRAKE SERVO RESERVAC TANK	116	25
BRAKE SERVO UNIT	114	24
CARBURETTORS AND PETROL FILTER	32—38	7
CLUTCH CONTROLS	56—62	13
CLUTCH UNIT (STANDARD)	52	11
CLUTCH UNIT (COMPETITION)	54	12
COOLING SYSTEM	148—150	32
CYLINDER BLOCK	1—6	1
CYLINDER HEAD	16—24	5
ELECTRICAL EQUIPMENT	276—304	51—53
EXHAUST SYSTEM	153—154	33
FINAL DRIVE UNIT	83—84	19
FRONT BRAKES	105—106	22
FRONT FRAME	161—162	35
FRONT SUSPENSION	87—92	20
FUEL SYSTEM	156—158	34
GEARBOX (SHAVED GEARS)	64—69	14—15
GEARBOX (CLOSE RATIO GROUND GEARS)	73—77	16—17
HANDBRAKE CONTROL	125—126	27
HEATER AND DEMISTER INSTALLATION	310—318	55
HYDRAULIC BRAKE PIPES (R.H. DRIVE)	128—132	28
HYDRAULIC BRAKE PIPES (L.H. DRIVE)	134—138	29
OIL CLEANER	10	3
OIL PUMP	8	2
OPTIONAL EXTRAS	320—322	—
PROPELLOR SHAFT	80	18
REAR BRAKES	109—112	23
REAR SUSPENSION	94—100	21
ROAD WHEELS	102—103	—
STEERING COLUMN	144—146	31
STEERING UNIT	141—142	30
TIMING GEAR	27—30	6
TOOL KIT	274	—
WATER PUMP	13—14	4
WINDSCREEN WASHER	308	54

INDEX TO PARTS

Description	Page No.	Plate	Description	Page No.	Plate
A			B—Continued		
Accelerator Connecting Lever	48	10	Boot Lid Lock Striker	199—261	41 & 49
Accelerator Control Rods	44—50	9 & 10	Boot Lid Prop	261	49
Accelerator Drop Arm	48	10	Boot Lid Seal	199 & 204	41 & 42
Accelerator Drop Arm Housing	48	10	Boot Trim	200—201	41
Accelerator Fulcrum Lever Assembly	44 & 49	9 & 10	Bottom Timing Chain	28	6
Accelerator Fulcrum Lever Stop	44 & 49	9 & 10	Bottom Timing Chain Vibration Damper	28 & 29	6
Accelerator Pedal	44 & 48	9 & 10	Brake Fluid Level Indicator	128 & 134	28 & 29
Accelerator Pedal Housing	44	9	Brake Fluid Level/Handbrake Warning Light	287	52
Accelerator Pedal Lever	44	9	Brake Fluid Reservoirs	128 & 134	28 & 29
Accelerator Pedal Link	48	10	Brake Fluid Reservoir Bracket	128 & 134	28 & 29
Air Balance Pipe	22	5	Brake Linkage Nylon Bushes	119—121	26
Air Cleaner Air Intake Box	41	8	Brake Master Cylinders	129—136	28 & 29
Air Cleaner Air Intake Box Base	42	8	Brake Master Cylinder Balance Link	120 & 121	26
Air Cleaner Bracket	41	8	Brake Master Cylinder Bracket	121	26
Air Cleaner Paper Element	41	8	Brake Master Cylinder Repair Kit	130 & 136	—
Air Duct Lower Panel	171 & 227	37 & 45	Brake Pedal	118	26
Air Intake Stone Guard	179 & 234	38 & 46	Brake Pedal Housing	118 & 119	26
Ammeter	283	52	Brake Pedal Housing Gasket	118 & 119	26
Anti Drum Material	204 & 267	—	Brake Pedal Pads	118	26
Ash Tray (Front Finisher Panel)	188 & 243	39 & 47	Brake Pedal Return Spring	118	—
Ash Tray Panel	188 & 243	39 & 47	Brake Pedal Shaft	119	26
B			Brake Pedal Shaft Bearings	118 & 119	26
Battery	299	53	Brake Pedal Shaft Connecting Lever	119	26
Battery Cables	299—300	—	Brake Pedal Shaft Connecting Lever Fork End	120	26
Battery Clamp	299	53	Brake Pedal Shaft Connecting Lever Serrated Pin	120	26
Battery Rod	299	53	Brake Pedal Tufnol Washer	119	—
Battery Tray	299	53	Brake Servo Bracket	122	26
Battery Tray Carrier Bracket	182 & 238	38 & 46	Brake Servo Bracket Rubber Seal	122	26
Battery Tray Drain Tube	299	53	Brake Servo Hoses	116	25
Big End Bearing	3	1	Brake Servo Operating Arm	120	26
Body Shell	164 & 219	—	Brake Servo Operating Arm Eccentric Barrel Nut	120	26
Body Underframe Assembly	165 & 222	—	Brake Servo Reservoir Hose Adaptor	22	5
Bonnet Balance Link	179 & 235	38 & 46	Brake Servo Reservoir Tank	116	25
Bonnet Beading	178 & 233	38 & 46	Brake Servo Unit	114	24
Bonnet Centre Panel	171 & 227	37 & 45	Breather Cover	20	5
Bonnet Diaphragms	171 & 227	37 & 45	Breather Flexible Pipe	20	5
Bonnet Front Under-Panel	171 & 227	37 & 45	Breather Pipe	21	—
Bonnet and Front Wings Assembly	171 & 227	—	By-Pass Hose	13	4
Bonnet Grille	180 & 235	38 & 46	C		
Bonnet Hinges	172 & 228	37 & 45	Cable Clips	303—304	—
Bonnet Hinge Bushes	172 & 228	37 & 45	Cable Sleeves	302	—
Bonnet Locks	180 & 236	38 & 46	Cable Strapping	303	—
Bonnet Lock Bracket	181 & 236	38 & 46	Camshafts	18	5
Bonnet Lock Escutcheon	180 & 236	38 & 46	Camshaft Bearings	18	5
Bonnet Rest Rubber	181 & 238	38 & 46	Camshaft Covers	19	5
Bonnet Rubber Buffer	182 & 238	38 & 46	Camshaft Sprockets	27	6
Bonnet Safety Catch	180 & 235	38 & 46	Canopy Rail Beading	209	43
Bonnet Safety Catch Bracket	180 & 235	38 & 46	Cantrail Chrome Beading	255	—
Bonnet Valances	171 & 227	37 & 45	Cantrail Crash Padding	255	48
Bonnet Valance Seal	180 & 236	38 & 46	Cantrail Panels	225	44
Boot Floor Boards	200	41	Cantrail Panel Drip Bead Extension	225—226	44
Boot Floor Mat	201	—	Cantrail Seal	253—254	48
Boot Lid	169 & 226	36 & 44	Cantrail Seal Retainers	253—254	48
Boot Lid Aperture Drain Tube	199 & 261	—	Cantrail Trim	254	47
Boot Lid Aperture Gutter	224	44	Cap Screws	1	—
Boot Lid Aperture Lower Trim Panel	257	49	Carburettor Body	34	7
Boot Lid Aperture Sealing Rubber	259 & 267	49 & 50	Carburettor Float	32 & 33	7
Boot Lid Aperture Support Panel	226	44	Carburettor Float Chamber	32 & 33	7
Boot Lid Casing	259—260	49	Carburettor Float Chamber Lid	32—34	7
Boot Lid Complete	258	—	Carburettor Insulator	37	7
Boot Lid Finisher	258—259	49	Carburettor Jet Assembly	32 & 33	7
Boot Lid Glass	258	49	Carburettor Jet Bearing	32 & 33	7
Boot Lid Glass Seal	258	49	Carburettor Jet Housing	32—34	7
Boot Lid Glass Seal Finishers	258	49	Carburettor Jet Needle	32 & 33	7
Boot Lid Gutter Finisher	258	49	Carburettor Needle and Seat	32 & 33	7
Boot Lid Hinges	169—226	36 & 44	Carburettor Overflow Pipes	37	7
Boot Lid Lock	199 & 260	41 & 49	Carburettor Shoe and Rod Assembly	32 & 33	7
Boot Lid Lock Bracket	199	41			
Boot Lid Lock Release Cable	199	41			
Boot Lid Lock Release Escutcheon	260	—			
Boot Lid Lock Release Mechanism	260	—			

INDEX TO PARTS

Description	Page No.	Plate
C—Continued		
Carburettor Suction Chamber ...	32 & 33	7
Carburettor Suction Chamber Damper ...	32 & 33	7
Carpets ...	205 & 265	42 & 50
Casing (below Quarter Light) ...	255 — 256	48
Casing Pocket ...	256	48
Chain Tensioner ...	29	6
Chain Tensioner Filter Gauze ...	2	1
Chain Tensioner Repair Kit ...	29	—
Choke Cable Adaptor (Carburetters) ...	35	7
Choke Connecting Rods (Carburetters) ...	34	7
Choke Control Cable ...	288	52
Choke Control Cable Sleeve ...	288	52
Choke Control Cable Casing Pivot ...	288	52
Choke Lever ...	288	52
Choke Lever Ball Bearing ...	288	52
Choke Lever Bracket ...	288	52
Choke Lever Escutcheon ...	287	52
Choke Lever Knob ...	288	52
Choke Warning Light ...	287	52
Choke Warning Light Switch ...	287	52
Cigar Lighter ...	286	52
Clutch Flexible Hose ...	58	13
Clutch Fluid Reservoir ...	59 & 60	13
Clutch Fluid Reservoir Bracket ...	60	13
Clutch Fork Return Spring ...	57	13
Clutch Housing ...	56	13
Clutch Housing Cover Plate ...	56	13
Clutch Housing Oil Seal ...	56	13
Clutch Housing Support Brackets ...	56	13
Clutch Hydraulic Pipes ...	57 — 59	13
Clutch Low Pressure Hose ...	59	13
Clutch Master Cylinder ...	58 & 59	13
Clutch Master Cylinder Repair Kit ...	59	—
Clutch Operating Fork ...	57	13
Clutch Operating Rod ...	57	13
Clutch Operating Rod Adjuster ...	57	13
Clutch Pedal ...	61 & 62	13
Clutch Pedal Bush ...	61 & 62	13
Clutch Pedal Housing ...	61	13
Clutch Pedal Housing Gasket ...	61	13
Clutch Pedal Pads ...	62	13
Clutch Pedal Return Spring ...	61	—
Clutch Shaft ...	57	13
Clutch Slave Cylinder ...	57	13
Clutch Slave Cylinder Repair Kit ...	57	—
Clutch Unit ...	52 & 54	11 & 12
Connecting Rods ...	3	1
Connecting Rod Bearings ...	3	1
Connecting Rod Gudgeon Pin ...	3	1
Connector and Terminal Blocks ...	280	51
Control Box ...	279 — 280	51
Control Box Bracket ...	280	51
Control Box Cover ...	279 — 280	—
Control Box Resistance ...	279 — 280	—
Crankshaft ...	2	1
Crankshaft Damper ...	2	1
Crankshaft Pulley ...	3	1
Crankshaft Thrust Washers ...	2	1
Cubby Box ...	186 & 242	—
Cylinder Block ...	1	1
Cylinder Block Core Plugs ...	1	1
Cylinder Block Liner ...	1	—
Cylinder Head ...	16	5
Cylinder Head Gasket ...	16	5
Cylinder Head Oil Pipe ...	20	5
Cylinder Head Studs ...	1	1
D		
Dash Aperture Covers ...	183 — 240	—
Dash Side Exterior Panels ...	167 & 223	36 & 44
Dash Top Corner Panels ...	173 & 229	37 & 45
Decarbonising Gaskets ...	16	—

Description	Page No.	Plate
D—Continued		
Demister Elbows ...	317	55
Demister Hoses ...	317	55
Dipstick Adaptor Tube ...	1	—
Direction Indicator/Headlamp Flasher Switch ...	296	53
Direction Indicator Switch Striker Plate ...	145	31
Direction Indicator Warning Light ...	287	52
Distributor ...	278	51
Distributor Cap ...	278	51
Distributor Cap Brush and Spring ...	278	51
Distributor Condenser ...	278	51
Distributor Contact Set ...	278	51
Distributor Rotor Arm ...	278	51
Distributor Sealing Ring ...	1	1
Distributor Suction Pipe ...	279	51
Distributor Vacuum Unit ...	278	—
Door Casing ...	197 & 250	40 & 48
Door Check Arms ...	168 & 224	36 & 44
Door, Complete ...	192 — 247	—
Door Hinges ...	168 & 224	36 & 44
Door Inside Handle ...	194 & 248	40 & 48
Door Inside Handle Escutcheons ...	194 & 248	40 & 48
Door Lock ...	193 & 247	40 & 48
Door Lock Remote Control ...	193 — 248	40 & 48
Door Lock Striker ...	198 & 250	40 & 48
Door Outside Handle ...	193 & 247	40 & 48
Door Seals ...	197 — 251	40 & 48
Door Seal Filler Block ...	196	40
Door Shell ...	167 — 224	36 & 44
Door Sill Finisher ...	198 & 250	40 & 48
Door Top Finisher (Outside) ...	196	40
Door Trim Chrome Finishers ...	197 & 250	40 & 48
Door Upper Trim Panel ...	197 & 250	40 & 48
Drain Tap (Cylinder Block) ...	2	1
Drip Moulding ...	208 & 209	43
Dynamo ...	276	51
Dynamo Adjusting Link ...	29 & 30	6
Dynamo Armature ...	276	—
Dynamo Bracket ...	2	1
Dynamo Brushes ...	276	—
Dynamo Fan ...	277	51
Dynamo Field Coils ...	276	—
Dynamo Pulley ...	276	51
E		
Earth Cables ...	302	—
Earth Connections ...	302	—
Electric Clock ...	285	—
Electric Clock Remote Control ...	285	52
Electrical Cables ...	301	—
Electrical Harnesses ...	300 — 301	—
Engine Decarbonising Gaskets ...	16	—
Engine Overhaul Gaskets ...	6	—
Exhaust Camshaft Flanged Plug ...	18	5
Exhaust Camshaft Oil Thrower ...	18	5
Exhaust Camshaft Sealing Ring ...	18	5
Exhaust Down Pipes ...	153	33
Exhaust Down Pipe Flange ...	153	—
Exhaust Down Pipe Sealing Ring ...	153	33
Exhaust Flexible Pipe ...	153	—
Exhaust Manifolds ...	21	5
Exhaust Manifold Sealing Ring ...	21	5
Exhaust Manifold Studs ...	16	5
Exhaust Mufflers ...	153 — 154	33
Exhaust Pipe Clips ...	153 — 154	33
Exhaust Silencer ...	153	33
Exhaust System Rubber Mountings ...	153 — 154	33
Exhaust Tail Pipes ...	153 — 154	33
Exhaust Tail Pipe Safety Bracket ...	154	—

INDEX TO PARTS

Description	Page No.	Plate	Description	Page No.	Plate
F			F—Continued		
Facia Panel	186 & 241	39 & 47	Front Suspension Anti-Roll Bar Bushes	91	20
Fan	149	32	Front Suspension Anti-Roll Bar Links	91	20
Fan Cowl	149	32	Front Suspension Assemblies	87	20
Fan Motor	149 & 296	32 & 53	Front Suspension Camber Shims	87	—
Fan Motor Relay	296	53	Front Suspension Lower Ball Pin	88	20
Fan Motor Thermostat	149	32	Front Suspension Lower Ball Pin Gaiter	89	20
Final Drive Unit Breather	83	19	Front Suspension Lower Ball Pin Socket	88	20
Final Drive Unit Crown Wheel and Pinion	83 & 84	19	Front Suspension Lower Ball Pin Spigot	88	20
Final Drive Unit Crown Wheel Lock Straps	83	19	Front Suspension Lower Wishbone	88	20
Final Drive Unit Companion Flange	83	19	Fulcrum Blocks	88	—
Final Drive Unit Differential Assembly	84	—	Front Suspension Lower Wishbone Fulcrum Shaft	88	20
Final Drive Unit Differential Adjusting Shims	83	19	Front Suspension Lower Wishbone Fulcrum Shaft Bush	88	20
Final Drive Unit Differential Bearings	83	19	Front Suspension Shock Absorbers	88	20
Final Drive Unit Differential Case	84	19	Front Suspension Shock Absorber Rubber Bushes	88	20
Final Drive Unit Differential Friction Discs	84	19	Front Suspension Stub Axle Carrier	89	20
Final Drive Unit Differential Friction Plates	84	19	Front Suspension Stub Axle Shaft	89	20
Final Drive Unit Drive Shafts	83	19	Front Suspension Stub Axle Shaft Seal	89	20
Final Drive Unit Drive Shaft Bearings	83	19	Front Suspension Torsion Bar	92	20
Final Drive Unit Drive Shaft Bearing Shims	83	19	Front Suspension Torsion Bar Rear Bracket	92	20
Final Drive Unit Drive Shaft Flanges	83	19	Front Suspension Upper Ball Pin	87	20
Final Drive Unit Drive Shaft Flange Oil Seal	83	19	Front Suspension Upper Ball Pin Gaiter	87	20
Final Drive Unit Filler and Drain Plugs	83	19	Front Suspension Upper Ball Pin Socket	87	20
Final Drive Unit Gear Carrier	83	19	Front Suspension Upper Wishbone Assemblies	87	20
Final Drive Unit Gear Carrier Cover	83	19	Front Suspension Upper Wishbone Fulcrum Blocks	87	—
Final Drive Unit Half-Shaft Bolts	83	19	Front Suspension Upper Wishbone Fulcrum Shafts	87	20
Final Drive Unit Pinion Bearings	83	19	Front Suspension Upper Wishbone Fulcrum Shaft Bushes	87	20
Final Drive Unit Pinion Bearing Shims	83	19	Front Suspension Upper Wishbone Pinch Bolts	87	20
Final Drive Unit Pinion Mate Gears	84	19	Front Timing Cover	1	1
Final Drive Unit Pinion Mate Gear Shaft	84	19	Front Wings	171 & 227	37 & 45
Final Drive Unit Pinion Oil Seal	83	19	Fuse Box	280	51
Final Drive Unit Side Gears	84	19			
Final Drive Unit Side Gear Ring	84	19			
Flasher Unit	293	53			
Floor	165 & 222	36 & 44			
Floor Mat	190 & 246	47			
Flywheel	3	1			
Front Brake Calipers	105	22			
Front Brake Caliper Bleed Screw and Ball	105	22			
Front Brake Caliper Bridge Pipe	105	22			
Front Brake Caliper Shims	105	22			
Front Brake Disc	106	22			
Front Brake Friction Pad Kit	106	—			
Front Brake Piston and Cylinder Assembly	105	22			
Front Brake Wheel Cylinder Repair Kit	105 & 106	—			
Front Bumper Assembly	176 & 232	38 & 46			
Front Bumper Bar	176 & 232	38 & 46			
Front Bumper Extensions	176 & 232	38 & 46			
Front Bumper Overider	176 & 232	38 & 46			
Front Bumper Seal	176 & 232	38 & 46			
Front Engine Mountings	5	1			
Front Engine Mounting Brackets	5	1			
Front Finisher Panel	188 & 243	39 & 47			
Front Flasher Lamp Bulb	290	53			
Front Flasher Lamp Lens	290—291	53			
Front Frame Cross Member	161	35			
Front Frame Side Members	161	35			
Front Frame Side Member Reaction Plate	162	35			
Front Frame Undershield	182 & 238	38 & 46			
Front Hub	90	20			
Front Hub Bearings	89	20			
Front Hub Cap	90	20			
Front Lamp Harness Connector	301	—			
Front Number Plate Carrier	178 & 234	—			
Front Sub-Frame	161	35			
Front Suspension Anti-Roll Bar	91	20			
			G		
			Gearbox Access Plugs	189 & 244	—
			Gearbox Breather Plug	66 & 74	14 & 16
			Gearbox Case	64 & 73	14 & 16
			Gearbox Change Speed Forks	66 & 74	14 & 16
			Gearbox Change Speed Lever	67 & 76	14 & 16
			Gearbox Change Speed Lever Bushes	67 & 76	14 & 16
			Gearbox Change Speed Lever Housing	66 & 74	14 & 16
			Gearbox Change Speed Lever Knob	67 & 76	14 & 16
			Gearbox Change Speed Selector	66 & 74	14 & 16
			Gearbox Constant Pinion Bearing	64 & 73	14 & 16
			Gearbox Constant Pinion Shaft	68 & 77	15 & 17
			Gearbox Countershaft	69 & 77	15 & 17
			Gearbox Countershaft Gears (Close Ratio)	77	17
			Gearbox Countershaft Gear Unit (Shaved Gears)	69	15
			Gearbox Countershaft Thrust Washers	69 & 77	15 & 17
			Gearbox Cover	189 & 244	39 & 47
			Gearbox Drain Plug	64 & 73	14 & 16
			Gearbox Filler Plug	64 & 73	14 & 16
			Gearbox Mainshaft	68 & 76	15 & 17
			Gearbox Mainshaft Bearing	64 & 73	14 & 16
			Gearbox Mainshaft Bearing Circlips	64 & 73	14 & 16
			Gearbox Mainshaft Gears	68 & 76	15 & 17
			Gearbox Mainshaft Operating Sleeves	68 & 76	15 & 17
			Gearbox Rear End Cover	64 & 73	14 & 16
			Gearbox Remote Control	65 & 73	14 & 16

INDEX TO PARTS

Description	Page No.	Plate	Description	Page No.	Plate
G—Continued			H—Continued		
Gearbox Remote Control Shaft ...	66 & 75	14 & 16	Hood Cloth	209	43
Gearbox Remote Control Shaft Seal ...	66 & 75	14 & 16	Hood Envelope	211	43
Gearbox Reverse Gear	69 & 77	15 & 17	Hood Envelope Hook Plate	209	43
Gearbox Reverse Slipper	69 & 77	15 & 17	Hoodsticks	206	43
Gearbox Reverse Spindle	69 & 77	15 & 17	Hoodstick Cantrail Channels	206	43
Gearbox Selector Finger	66 & 75	14 & 16	Hoodstick Main Head Pillars	206	43
Gearbox Selector Lever	67 & 75	14 & 16	Hoodstick Pivot Bolts	207	—
Gearbox Selector Lever Bush	67 & 76	14 & 16	Hoodstick Pivot Brackets	207	43
Gearbox Selector Lever Pivot Jaw	67 & 75	14 & 16	Hood Toggle Clamp	210	43
Gearbox Side Panels	166 & 223	36 & 44	Hood Toggle Clamp Sockets	211	43
Gearbox Striking Rods	66 & 74	14 & 16	Horns	295	53
Gearbox Synchronising Sleeves	68 & 76	15 & 17	Horn Contact	145	31
Gearbox Top Cover	65 & 74	14 & 16	Horn Contact Holder	145	31
Gearbox Universal Joint Flange	68 & 76	15 & 17	Horn Contact Insulating Strip	145	31
Grab Handle	186—242	39 & 47	Horn Contact Nipple	144	31
H			Horn Contact Pin	144	31
Handbrake Cable Anchor Spring	126	—	Horn Contact Pin Bushes	144	31
Handbrake Cable Assembly	125	27	Horn Earth Contact	145	31
Handbrake Cable Grommet	125	27	Horn Push	295	53
Handbrake Compensator	126	27	Horn Relay	295	53
Handbrake Lever Assembly	125	27	Horn Slip Ring	144	31
Handbrake Mechanism	110—112	23	Horn Slip Ring Rotor	144	31
Handbrake Mechanism Repair Kit	112	—	Hydraulic Brake Flexible Hoses	131 & 137	28 & 29
Handbrake Mechanism Retraction Plate	110 & 112	23	Hydraulic Brake Hose Brackets (Front Suspension)	91	—
Handbrake Operating Levers	110 & 111	23	Hydraulic Brake Pipes	130—138	28 & 29
Handbrake Pad Carriers	110—112	23	Hydraulic Brake Pipe Clips	132 & 138	28 & 29
Handbrake Pad Carrier Bolt	110 & 111	23	Hydraulic Brake Pipe Connector	131 & 137	28 & 29
Handbrake Warning Light	287	52	Hydraulic Brake 3-Way Union	132 & 138	28 & 29
Handbrake Warning Light Switch	125 & 287	27 & 52	Hydraulic Brake 4-Way Union	130 & 136	28 & 29
Handbrake Warning Light Switch Striker	125	27	Hydraulic Fluid Reservoir Heat Shield	134	29
Headlamps	289—290	53	I		
Headlamp Aperture Finisher	177 & 233	38 & 46	Idler Sprocket	27	6
Headlamp Bulb	289—290	53	Idler Sprocket Eccentric Shaft	27	6
Headlamp Dipper Switch	286	52	Idler Sprocket Barrel	281	52
Headlamp Flasher Switch	296	53	Ignition Coil	277	51
Headlamp Glass	177 & 233	38 & 46	Ignition Coil Bracket	277	51
Headlamp Glass Rubber Seal	177 & 233	38 & 46	Ignition Switch	281	52
Headlamp Light Unit	289—290	53	Ignition Switch Adaptor Plate	281	52
Headlamp Recess Panel	177 & 233	38 & 46	Ignition Timing Pointer	5	1
Head Lining	254	—	Inlet Camshaft Seal	18	5
Heater Adaptors	312 & 315	55	Inlet Manifolds	21 & 22	5
Heater Air Intake Extension	180 & 236	38 & 46	Inlet Manifold Studs	16	5
Heater Air Intake Extension Rubber Seal	180 & 236	38 & 46	Inner Steering Column	144	31
Heater Case	310	55	Instrument Panel	281	52
Heater Case Air Flap Seals	311	55	Instrument Panel Face	281	52
Heater Case Air Flap Springs	310	55	Insulating Felts	205—266	—
Heater Case Air Intake Mesh	312	55	Interior Light	298	53
Heater Case Air Release Duct	310	55	Interior Light Switch	283	52
Heater Case Bracket	310	55	Interior Mirror	298—299	53
Heater Case Seal (Dash)	310	55	Interior Trimming	203 & 267	—
Heater Case Side Panel	310	55	Intermediate Sprocket	28	6
Heater Control Cables	315—316	55	Intermediate Sprocket Shaft	28	6
Heater Control Cable End Fittings	316	55	J		
Heater Control Levers	315	55	Jacking Brackets	167 & 223	—
Heater Control Lever Trunnions	316	55	'Jaguar' Emblem (Boot Lid)	199 & 259	41 & 49
Heater Doors	316	55	L		
Heater Fan	312	55	Licence Holder	185 & 240	—
Heater Fan Switch	282	52	Lower Steering Column	146	31
Heater Hoses	317	55	Lower Steering Column Journal	146	31
Heater Motor	312	55			
Heater Motor Mounting Grommets	312	55			
Heater Motor Resistance	312	55			
Heater Pipes	313—314	55			
Heater Radiator	310	55			
Heater Radiator Seals	311	55			
Heater Water Control Valve	313	55			
Heater Water Control Valve Sealing Ring	313	55			
Heatshields	190—245	39 & 47			
High Tension Leads	23	—			
High Tension Lead Conduit	24	—			

INDEX TO PARTS

Description	Page No.	Plate
L—Continued		
Lower Steering Column Universal Joints	146	31
Luggage Compartment Floor Rubber Beading	263	49
Luggage Compartment Floor Beading Retainers	263	49
Luggage Compartment Floor Extension	264	49
Luggage Compartment Floor Mat	263	49
Luggage Compartment Side Casing	257	49
M		
Main Bearings	2	1
Map Light	298	53
Map Light Door Switch	286	52
Map Light Door Switch Striker	196 & 249	40 & 48
Map Light Panel Switch	282	52
Micro Adjustment Plate	27	6
Motif Bar	176 & 232	38 & 46
Mudshields	182—239	38 & 46
Mudshield Rubber Seals	182—239	—
N		
Number Plate Illumination Lamp	294	53
O		
Oil Cleaner	10	3
Oil Cleaner Element	10	3
Oil Filler Cap	19	5
Oil Gallery Plugs	1	1
Oil Pressure Gauge	283	52
Oil Pressure Gauge Element	283	52
Oil Pump	8	2
Oil Pump Cover	8	2
Oil Pump Drive Gear	2	1
Oil Sump	4	1
Oil Sump Baffle	4	1
Oil Sump Dipstick	4	1
Oil Sump Drain Plug	4	—
Oil Sump Filter Basket	4	1
Oil Sump Gasket	4	1
Oil Sump Hose	4	1
Oil Sump Hose Adaptor	4	1
Oil Sump Seals	4	1
P		
Panel Assembly, Lower Rear	170 & 227	36 & 44
Panel Light Switch	282	52
Pedal Aperture Covers	183—240	—
Petrol Feed Pipe Assembly (Carburettors)	37 & 158	7 & 34
Petrol Filler Box	169 & 225	36 & 44
Petrol Filler Box Drain Tube	201 & 262	—
Petrol Filler Cap	156	34
Petrol Filler Hose	156	34
Petrol Filler Lid	170 & 227	36 & 44
Petrol Filler Lid Buffer	200 & 262	—
Petrol Filter	38 & 158	7 & 34
Petrol Filter Bracket	38 & 158	7 & 34
Petrol Gauge	283	52
Petrol Pipes	157—158	34

Description	Page No.	Plate
P—Continued		
Petrol Pipe Clips	158	34
Petrol Pipe Bulkhead Connector	158	34
Petrol Pump	156 & 279	34 & 51
Petrol Pump Bracket	156 & 279	34 & 51
Petrol Tank	156	34
Petrol Tank Cover	263	49
Petrol Tank Drain Plug	156	34
Petrol Tank Forward Bracket	157	34
Petrol Tank Gauge Unit	156 & 289	34 & 52
Petrol Tank Mounting Pads	157	34
Petrol Tank Sump	156	34
Petrol Tank Vent Hose	156	35
Pistons	3 & 4	1
Piston Rings	3 & 4	1
Propeller Shaft Flange Bolts	80	18
Propeller Shaft Flange Yokes	80	18
Propeller Shaft Journals	80	18
Propeller Shaft Sleeve Yoke	80	18
Propeller Shaft Tunnel Finisher	189 & 243	39 & 47
Q		
Quarter Light Catch	253	—
Quarter Light Glass	251—252	48
Quarter Light Hinge Pillar	252	48
Quarter Light Hinge Plate	252	48
Quarter Light Sealing Rubber	252	48 & 50
R		
Rack and Pinion Assembly	141	30
Rack and Pinion Rubber Mounting	142	30
Radiator Block	148	32
Radiator Block Drain Tap	148	32
Radiator Block Mounting Pads	148	32
Radiator Duct Shield	149	32
Radiator Header Tank	148	32
Radiator Header Tank Bracket	148	32
Radiator Header Tank Filler Cap	148	32
Radiator Header Tank Overflow Pipe	148	32
Radiator Header Tank Tie Bars	148	32
Radiator Hoses	150	32
Radiator Hose Connecting Pipe	150	32
Radiator Seals	149	32
Radio Aperture Finisher	188 & 244	39 & 47
Radio Aperture Finisher Surround	188 & 244	39 & 47
Radio Installation	320	—
Rear Brake Calipers	109	23
Rear Brake Caliper Bleed Screw and Ball	109	23
Rear Brake Caliper Bridge Pipe	109	23
Rear Brake Caliper Shims	109	23
Rear Brake Disc	112	23
Rear Brake Friction Pad Kit	110	—
Rear Brake Piston and Cylinder Assembly	109	23
Rear Brake Wheel Cylinder Repair Kit	110	—
Rear Bulkhead Mat	192	39
Rear Bulkhead Panel	166	36
Rear Bumper Bar	176 & 232	38 & 46
Rear Bumper Overriders	176 & 232	38 & 46
Rear Bumper Seal	176 & 232	38 & 46
Rear Cover (Cylinder Block)	1	1
Rear End	166 & 223	—
Rear Engine Mountings	6	1
Rear Engine Mounting Bracket	6	1
Rear Floor	166 & 222	36 & 44
Rear Floor Cover Plate	200 & 262	49
Rear Floor Cross Member	166 & 222	36 & 44
Rear Hubs	96	21
Rear Hub Bearings	97	21

INDEX TO PARTS

Description	Page No.	Plate	Description	Page No.	Plate
R—Continued			S—Continued		
Rear Hub Bearing Spacers	97	21	Seat Cushion	189 & 245	39 & 47
Rear Hub Carrier	96	21	Seat Slides	190 & 245	39 & 47
Rear Hub Carrier Fulcrum Shafts	96	21	Shut Pillars	166 & 222	36 & 44
Rear Hub Carrier Fulcrum Shaft Bearings	96	21	Shut Pillar Closing Panel	166 & 223	36 & 44
Rear Hub Carrier Fulcrum Shaft Seals	96	21	Shut Pillar Reinforcement Panel	166 & 223	36 & 44
Rear Hub Carrier Grease Cap	96	21	Shut Pillar Trim	191 & 246	39 & 47
Rear Hub Oil Seals	97	21	Side/Flasher Lamps	290—291	53
Rear Hub Oil Seal Seating Rings	97	21	Sidelamp Bulb	290	53
Rear Number Plate	201 & 262	—	Sidelamp Warning Light (Italy only)	286	—
Rear Number Plate Illumination Lamp	294	53	Sill Closing Panel	166 & 223	36 & 44
Rear Number Plate Panel Chrome Beading	202	41	Sill Panel (Outer)	167 & 223	36 & 44
Rear Number Plate Panel Plugs	201 & 262	—	Sill Panel Reinforcement	166 & 223	36 & 44
Rear Shock Absorbers	98 & 99	21	Spare Wheel Clamp	201 & 262	41 & 49
Rear Shock Absorber Mounting Shaft	99	—	Spare Wheel Cover	262	49
Rear Suspension Anti-Roll Bar	99	21	Spare Wheel Cover Mat	263	49
Rear Suspension Anti-Roll Bar Bushes	99	21	Sparkling Plugs	23	—
Rear Suspension Anti-Roll Bar Link	99	21	Sparkling Plug Leads	23	—
Rear Suspension Bump Stops	99	21	Sparkling Plug Lead Conduit	24	—
Rear Suspension Camber Shims	98	21	Sparkling Plug Terminals	23	—
Rear Suspension Coil Springs	98	21	Speedometer	284—285	52
Rear Suspension Coil Spring Seats	99	21	Speedometer Cable Right Angle Gearbox	285	52
Rear Suspension Cross Member	94	21	Speedometer Driven Gear	65 & 73	14 & 16
Rear Suspension Cross Member Bracing Plate	94	21	Speedometer Driving Gear	68 & 76	15 & 17
Rear Suspension Cross Member Rubber Mountings	94	21	Speedometer Flexible Cable	285	52
Rear Suspension Half Shafts	98	21	Speedometer Trip Mileage Remote Control	285	52
Rear Suspension Half Shaft Journals	98	21	Stabilising Link	5	1
Rear Suspension Half Shaft Yokes	98	21	Stabilising Link Bearing Brackets	6	1
Rear Suspension Inner Fulcrum Shafts	95	21	Stabilising Link Bush	5	1
Rear Suspension Inner Fulcrum Shaft Bearings	95	21	Stabilising Link Rubber Mounting	5	1
Rear Suspension Inner Fulcrum Shaft Mountings	94	21	Stabilising Link Stepped Washers	5	1
Rear Suspension Inner Fulcrum Shaft Sealing Rings	95	21	Starter Motor	277	51
Rear Suspension Radius Arms	100	21	Starter Motor Terminal Boot	303	—
Rear Suspension Radius Arm Safety Straps	100	21	Starter Solenoid	277	51
Rear Suspension Wishbones	95	21	Starter Solenoid Bracket	277	51
Rear Wheel Arch Panels	166 & 222	36 & 44	Starter Solenoid Terminal Boots	303	—
Rear Wheel Arch Valances	202—203	41	Starter Switch	282	52
Rear Wheel Arch Seals	166	36	Steering Column Lock and Ignition Switch	144	—
Rear Wings	168 & 227	36 & 44	Steering Column Seal	183—239	38 & 46
Reflex Reflector	291—293	41	Steering Tie Rods	141	30
Reverse Lamp	294	53	Steering Tie Rod Ball Joint Gaiters	142	30
Reverse Lamp Bulb	294	53	Steering Tie Rod Ends	142	30
Reverse Lamp Housing	294	53	Steering Tie Rod Levers	91	20
Reverse Lamp Lens	294	53	Steering Wheel	145	31
Reverse Lamp Switch (Gearbox)	294	53	Steering Wheel Shaft	144	31
Rev. Counter	285	52	Steering Wheel Split Cone	145	31
Rev. Counter Generator	19 & 286	5 & 52	Stoneguard Frame	173 & 229	37 & 45
Rev. Counter Generator Adaptor	19	5	Stop Lamp Switch	296	53
Rev. Counter Generator Driving Dog	19	5	Stop/Tail/Flasher Lamps	291—293	53
Rev. Counter Generator 'O' Ring	19	5	Stop/Tail/Lamp Brackets	170—227	—
Rev. Counter Generator Oil Seal	18	5	Stop/Tail Lamp Seating Panel	170—171	36
Road Lights Switch	282	52	Stop/Tail Lens	291—293	53
Road Lights Switch Lever	282	52	Sun Visors	240	—
Road Wheels	102 & 103	—	Switches	281—296	52
Roof Gutter Finishers	258	49	Switch Indicator Strip	281	52
Roof Panel	225	44	Switch Indicator Strip Finisher	281	52
Roof Reinforcement Rail	225	44	T		
Rubber Grommets	302	—	Tacking Strips	209	—
Rubber Plugs and Boots	303	—	Tail Panel	224	44
S			Tappet Guide	16	5
Screen Rail Facia	185 & 241	39 & 47	Tension Rod (Centre of Screen)	211	43
Scuttle Casings	187—243	39 & 47	Thermostat	22	5
Scuttle Top Panel	172 & 229	37 & 45	Throttle Control Rods	36	7
Seal Retainers	208 & 268	—	Throttle Control Rod Levers	35	7
Sealing Rubbers	204 & 267	42 & 50	Throttle Return Springs (Carburettors)	35	7
Seats	189—245	39 & 47	Throttle Return Spring Anchor Brackets (Carburettors)	35	7
			Throttle Return Spring Levers (Carburettors)	35	7
			Throttle Slave Shafts	45—50	9 & 10
			Throttle Slave Shaft Bush	45 & 49	9 & 10

INDEX TO PARTS

Description	Page No.	Plate	Description	Page No.	Plate
T—Continued			W—Continued		
Throttle Slave Shaft Coupling	36	7	Windscreen Washer Jet Assembly	308	54
Throttle Slave Shaft Levers	46 & 50	9 & 10	Windscreen Washer Switch	282	52
Timing Chain Gear	2	1	Windscreen Washer Tee Piece	308	54
Timing Cover	29	6	Windscreen Wiper Arms	297 — 298	53
Timing Gear Brackets	27	6	Windscreen Wiper Blades	298	53
Tonneau Beading	209	43	Windscreen Wiper Link Set	297	53
Tonneau Rear Panels	169	36	Windscreen Wiper Motor	297	53
Tonneau Reinforcement Panel	166	36	Windscreen Wiper Switch	320	52
Tonneau Support Panel	169	36	Wing Mirrors	282	—
Tonneau Top Panel	169	36			
Tonneau Trim	192	39			
Tool Kit	274	—			
Top Quarter Panels	169	36			
Top Timing Chain	28	6			
Top Timing Chain Dampers	28 & 29	6			
U					
Upper Steering Column	144	31			
Upper Steering Column Bearings	144	31			
Upper Steering Column Brackets	145 & 146	31			
Upper Steering Column Locknut	144	31			
V					
Valves	17	5			
Valve Adjusting Pads	17	5			
Valve Collars	17	5			
Valve Guides	16	5			
Valve Inserts	16	5			
Valve Springs	17	5			
Valve Tappets	17	5			
Voltage Control Unit (Instrument Panel)	283	52			
W					
Water Outlet Elbow	23	5			
Water Outlet Pipe	22	5			
Water Pump	13	4			
Water Pump Belt	13	4			
Water Pump Impeller	13	4			
Water Pump Pulley	13	4			
Water Pump Seal	13	4			
Water Pump Spindle	13	4			
Water Temperature Gauge	283	52			
Water Temperature Gauge Element	283	52			
Wheel Arch Trim Panels... ..	191 — 192	39			
Window Frame	195 & 249	40 & 48			
Window Frame Brackets	195 & 249	40 & 48			
Window Frame Felt	195 & 249	40 & 48			
Window Glass	195 & 249	40 & 48			
Window Glass Outer Seal	196 & 249	40 & 48			
Window Regulator	194 — 248	40 & 48			
Window Regulator Handle	194 & 248	40 & 48			
Window Regulator Handle Escutcheon	194 & 248	40 & 48			
Window Weather Strip	197	—			
Windscreen Glass	184 & 240	38 & 46			
Windscreen Glass Finishers	184 & 240	38 & 46			
Windscreen Glass Seal	184 & 240	38 & 46			
Windscreen Header Panel	225	44			
Windscreen Pillars	172 & 229	37 & 45			
Windscreen Pillar Closing Panel	173 & 229	37 & 45			
Windscreen Pillar Filler Panel	172 & 229	37 & 45			
Windscreen Pillar Top Reinforcement Channel	229	45			
Windscreen Washer	308	54			

CYLINDER BLOCK

Part No.	Description	Plate No.	No. per Unit	Remarks
C.17212/1	CYLINDER BLOCK ASSEMBLY	1- 1	1	Fitted from Engine No. R.1001 to R.7194.
C.15867	Plug (Screwed) for Oil Filter Flange		1	
C.317	Core Plug (Welch Washer) at right-hand side of Cylinder Block		1	
C.315	Core Plug (Welch Washer) at each side and at rear of Cylinder Block	1- 2	7	
C.5022	Plug (1" Briggs) on right-hand side of Cylinder Block, sealing aperture for heater element		1	
C.2352	Plug ($\frac{1}{8}$ " A.N.F.) at right-hand side of Cylinder Block, sealing oil gallery apertures		6	
C.2296/3	Washer (Copper) on Plugs		6	
C.13479	Dowel , between Bearing Caps and Cylinder Block		14	
C.8614/1	Front Timing Cover	1- 3	1	
C.16862	Expansion Plug for Oil Filter Flange		1	
UFS.131/3R	Screw , Set, for Water Jet hole	1- 4	4	
FW.105/E	Copper Washer , on Setscrews	1- 5	4	
C.17522	Dipstick Adaptor Tube		1	
C.19291	CYLINDER BLOCK ASSEMBLY		1	Fitted to Engine No. R.7195 and subs.
C.13479	Dowel (small) between Bearing Caps and Cylinder Block		7	
C.19340	Dowel (large) between Bearing Caps and Cylinder Block		7	
All other items are as for Cylinder Block C.17212/1.				
C.2305	Plug ($\frac{7}{8}$ " A.N.F.) in front end of oil gallery	1- 6	1	
C.2157	Headed Plug ($\frac{7}{8}$ " A.N.F.) in rear end of oil gallery		1	
C.2296/2	Washer (Copper) on Plug		1	
C.11530	Screwed Plug at rear of Cylinder Block		1	
C.11531	Washer (Copper) for Screwed Plug		1	
C.13479	Dowel for location of Timing Cover on front of Cylinder Block	1- 7	2	
C.13478	Dowel for location of Clutch Housing on rear face of Cylinder Block	1- 8	2	
C.2269	Stud (Plain) for fixing of Cylinder Head to Block	1- 9	13	
C.2270	Stud (Dowel) for fixing of Cylinder Head to Block	1-10	1	
C.16317/S	Cover Assembly on rear face of Cylinder Block	1-11	1	
C.2373	Ring Dowel , between Rear Cover and Cylinder Block	1-12	2	
UFS.131/7R	Screw , Set, Centre, securing Rear Cover to Cylinder Block	1-13	1	Fitted from Engine No. R.1001 to R.2563.
UFB.131/9R	Bolt , Outer, securing Rear Cover to Cylinder Block	1-14	2	
FG.105/X	Spring Washer , on Bolts and Setscrew		3	
C.19648	Cover Assembly , on rear face of Cylinder Block		1	
C.19654	Oil Seal (asbestos) inside Cover Assembly		2	
C.19686	Cap Screw (centre) securing Rear Cover to Cylinder Block		1	Fitted to Engine No. R.2564 and subs.
C.19625	Cap Screw (outer) securing Rear Cover to Cylinder Block		2	
C.2373	Ring Dowel , between Rear Cover and Cylinder Block		2	
C.2394	Ring Dowel , between Sealing Ring and Rear Cover		2	
C.2470	Cap Screw , securing Sealing Ring to Rear Cover		2	
C.5846	Union , connecting oil feed pipe to Cylinder Block	1-15	1	
C.4146	Washer (Copper) at each side of Union	1-16	2	
C.2430	Sealing Ring , in Distributor aperture on Cylinder Block	1-17	1	
UFS.125/4R	Screw , Set, securing Distributor in Cylinder Block		1	
C.724	Washer , Shakeproof, on Setscrew		1	
FW.104/T	Washer , Plain, on Setscrew		1	
UFS.119/2R	Plug , in aperture for Distributor drive lubrication		1	
AW.102/E	Washer (Copper) on Plug		1	
C.2262	Bolt , securing Bearing Caps		14	
C.21171	Washer , locking bolts on centre, intermediate and front Bearing Caps		11	
C.21172	Washer , locking bolts on rear Bearing Cap		2	
C.13791	LINER FOR CYLINDER BLOCK		6	FOR USE WHEN RECONDITIONING CYLINDER BLOCK.

CYLINDER BLOCK

Part No.	Description	Plate No.	No. per Unit	Remarks
C.13457	FILTER GAUZE, IN CYLINDER BLOCK, BEHIND HYDRAULIC CHAIN TENSIONER	1-18	1	
C.2354	WATER DRAIN TAP FOR LEFT-HAND SIDE OF CYLINDER BLOCK	1-19	1	
C.2296/3	Washer (Copper) on Drain Tap	1-20	1	
C.316	Washer (Fibre) on Drain Tap	1-21	2	
C.14917	DYNAMO MOUNTING BRACKET	1-22	1	Fitted from Engine No. R.1001 to R.1509.
C.18228	DYNAMO MOUNTING BRACKET		1	Fitted to Engine No. R.1510 and subs.
UFS.137/6R	Screw, Set, securing Mounting Bracket to Cylinder Block		3	
FG.106/X	Washer, Spring, on Setscrews		3	
UFB.131/8R	Bolt, securing Dynamo to Mounting Bracket		2	
C.8737/2	Nut, on Bolts		2	
C.4808/1	CRANKSHAFT	1-23	1	Fitted from Engine No. R.1001 to R.2563.
C.4283	Screwed Plug, in Crankshaft Journals	1-24	6	
C.18350/1	CRANKSHAFT		1	Fitted to Engine No. R.2564 and subs.
C.4283	Screwed Plug, in Crankshaft Journals		6	
C.2226	Bush, in rear end of Crankshaft, for Gearbox Primary Shaft	1-25	1	
C.2316	Thrust Washer, for Centre Bearing Cap (.091"/.093")	1-26	2	
C.2316/1	Thrust Washer, for Centre Bearing Cap (.095"/.097")	1-26	2	Upsize Thrust Washers to be used for service replacements if required.
C.16293	Main Bearing, on front, centre and rear journals of Crankshaft (standard size)	1-27	6 halves	
C.16294	Main Bearing, on intermediate journals of Crankshaft (standard size)	1-28	8 halves	
MAIN BEARINGS are obtainable in the following undersizes :-				
— .010" — .020" — .030" — .040"				
When ordering, please quote Part No. and under-size required (e.g. C.16293/20 for .020" undersize)				
C.15274	CRANKSHAFT DAMPER ASSEMBLY	1-29	1	
C.2466	Cone, for centre of Hub	1-30	1	
C.2173	Distance Piece, on Crankshaft, behind Damper	1-31	1	
C.2283	Oil Thrower, behind Distance Piece	1-32	1	
C.2170	Gear, for Timing Chain	1-33	1	
C.2314	Gear, for Oil Pump Drive	1-34	1	
C.757	Key, locking Cone to Damper Hub and Crankshaft, and Gears for Timing Chain and Oil Pump to Crankshaft	1-35	4	

CYLINDER BLOCK

Part No.	Description	Plate No.	No. per Unit	Remarks
C.14589	PULLEY, ON CRANKSHAFT, FOR FAN BELT	1-36	1	Fitted from Engine No. R.1001 to R.1458.
C.18703	PULLEY, ON CRANKSHAFT, FOR FAN BELT	1-36	1	Fitted from Engine No. R.1459 to R.5249.
C.19517	PULLEY, ON CRANKSHAFT, FOR FAN BELT	1-36	1	Fitted to Engine No. R.5250 and subs.
UFB.131/12V C.725	Bolt , securing Pulley to Damper Hub Washer , Shakeproof, on Bolts	1-37 1-38	4 2	
C.5896 C.2468 C.2467	Bolt , securing Damper to Crankshaft Washer , behind Bolt Tab Washer , locking Bolt	1-39 1-40 1-41	1 1 1	
C.7917	CONNECTING ROD (LESS BEARINGS)	1-42	6	Fitted from Engine No. R.1001 to R.7103.
C.7917/2	CONNECTING ROD (LESS BEARINGS)		6	Fitted to Engine No. R.7104 and subs.
C.17164 C.3944 C.2361 L.103.5/8U	Bearing , Small End Bolt , securing Caps to Connecting Rod Nut , on Bolts Split Pin , locking Nuts		6 12 12 12	
C.16295 C.18712	Bearing , Big End (standard size) Bearing , Big End (standard size)	1-43 1-43	12 halves 12 halves	SUPERSEDED BY C.18712. SUPERSEDES C.16295 AT ENGINE No. R.3162.
	BIG END BEARINGS are obtainable in the following undersizes :— — .010" — .020" — .030" — .040"			
	When ordering please quote Part No. and under-size required (e.g. C.16295/20 for .020" under-size)			
C.14921	FLYWHEEL (LIGHTENED)	1-44	1	STANDARD FITMENT.
C.20310	FLYWHEEL (LIGHTENED)		1	FOR COMPETITION CARS ONLY.
C.2313 C.1782 C.4855 C.4810	Dowel , in centre of Flywheel Dowel , on outer face of Flywheel Screw , Set, securing Flywheel to Crankshaft Plate , locking Setscrews	1-45 1-46 1-47 1-48	2 2 10 1	
C.14806/1	PISTON, COMPLETE	1-49	6	FOR 8 : 1 COMPRESSION RATIO ENGINES from R.1001 to R.7103.
C.13794/1	PISTON, COMPLETE		6	FOR 9 : 1 COMPRESSION RATIO ENGINES from R.1001 to R.7103.
C.13796 C.13797 C.13798 C.13827 C.3964	Pressure Ring , Upper (Chromium plated) Pressure Ring , Lower Scraper Ring (Maxigroove) Gudgeon Pin , retaining Piston to Connecting Rods Circlip , securing Gudgeon Pins in Pistons	1-50 1-51 1-52 1-53 1-54	6 6 6 6 12	
C.14806/2	PISTON, COMPLETE		6	FOR 8 : 1 COMPRESSION RATIO ENGINES R.7104 and subs.

CYLINDER BLOCK

Part No.	Description	Plate No.	No. per Unit	Remarks
C.13794/2	PISTON, COMPLETE		6	FOR 9:1 COMPRESSION RATIO ENGINES R.7104 and subs.
C.20846	Pressure Ring, Upper (Chromium plated)		6	
C.13797	Pressure Ring, Lower		6	
C.20847	Scraper Ring (Maxiflex)		6	
C.13827	Gudgeon Pin, retaining Piston to Connecting Rods		6	
C.3964	Circlip, securing Gudgeon Pins in Pistons		12	
<p>PISTONS AND RINGS are obtainable in the following oversizes:— +.010" +.020" +.030"</p> <p>When ordering, please state Part No. and over-size required (e.g. C.14806/1/20 for .020" over-size)</p>				
C.16750	ALUMINIUM OIL SUMP	1-55	1	
C.16319	Gasket, between Oil Sump and Cylinder Block	1-56	2 halves	
C.8593	Seal, at front end of Oil Sump	1-57	1	
C.16315	Seal (Cork Rubber) at rear of Oil Sump	1-58	1	
C.2364	Drain Plug, for Oil Sump		1	
C.2296/1	Washer (Copper) on Oil Sump Drain Plug		1	
C.14170	Screw, Set, securing Oil Sump to Cylinder Block		1	
UFS.131/6R	Screw, Set, securing Oil Sump to Cylinder Block		25	
C.725	Washer, Shakeproof, on Setscrews		26	
C.16741	BAFFLE ASSEMBLY, INSIDE OIL SUMP	1-59	1	
C.16751	Stud, for fixing of Baffle to Sump	1-60	6	
UFN.131/L	Nut, securing Baffle		6	
FG.105/X	Washer, Spring, under Nuts		6	
C.16752	FILTER BASKET ASSEMBLY, INSIDE OIL SUMP	1-61	1	
UFN.125/L	Nut, securing Filter Basket to Baffle		6	
C.724	Washer, Shakeproof, under Nuts		6	
C.16753	ADAPTOR ASSEMBLY, AT R.H. SIDE OF SUMP, FOR CONNECTION OF HOSE FROM OIL CLEANER	1-62	1	
C.16756	Gasket, under Adaptor	1-63	1	
C.16757	Stud, for fixing of Adaptor to Oil Sump	1-64	3	
UFN.125/L	Nut, securing Adaptor		3	
FG.104/X	Washer, Spring, under Nuts		3	
C.15949	HOSE, FROM OIL SUMP TO OIL CLEANER	1-65	1	
C.2905/2	Clip, securing Hose	1-66	2	
C.15841	DIPSTICK ASSEMBLY FOR OIL SUMP	1-67	1	SUPERSEDED BY C.21251.
C.21251	DIPSTICK ASSEMBLY FOR OIL SUMP	1-67	1	SUPERSEDES C.15841.

CYLINDER BLOCK

Part No.	Description	Plate No.	No. per Unit	Remarks
C.16758	IGNITION TIMING POINTER ON OIL SUMP	1-68	1	
UCS.125/4R	Screw, Set, securing Timing Pointer to front of Oil Sump		2	
C.724	Washer, Shakeproof, on Setscrews		2	
FW.104/T	Washer, Plain, under Shakeproof Washers		2	
C.15849	BRACKET ASSEMBLY FOR LEFT-HAND FRONT ENGINE MOUNTING	1-69	1	
C.15850	BRACKET ASSEMBLY FOR RIGHT-HAND FRONT ENGINE MOUNTING	1-70	1	
UFS.143/6R	Screw, Set, securing Engine Mounting Brackets to Cylinder Block		6	
C.727	Washer, Shakeproof, on Setscrews		6	
C.18556	FRONT ENGINE MOUNTING (RUBBER)	1-71	2	
UFS.150/7R	Screw, Set, securing Engine to Rubber Mounting		2	
FW.108T	Washer, Plain, on Setscrews		2	
FG.108/X	Washer, Spring, on Setscrews		2	
C.18242	Packing Plate, under Rubber Mountings	1-72	As req'd	
UFS.131/6R	Screw, Set, securing Rubber Mountings to Flange Support Brackets		4	
C.8667/2	Nut, Self-Locking, on Setscrews		4	
C.12890	STABILISING LINK AT REAR OF CYLINDER BLOCK	1-73	1	
C.10940	Bush, in Stabilising Link	1-74	1	
UFB.143/14R	Bolt, securing Stabilising Link to Bearing Brackets		1	
C.8737/4	Nut, Self-Locking, on Bolt		1	
C.11607	Stepped Washer, on Stabilising Link, at top of Rubber Mounting	1-75	1	
C.11688	Stepped Washer, on Stabilising Link, at bottom of Rubber Mounting	1-76	1	
C.8667/3	Nut, Self-Locking, securing Stabilising Link to Rubber Mounting		1	
C.18441	RUBBER MOUNTING FOR STABILISING LINK AT TOP	1-77	1	} SUPERSEDED BY C.20217 AND C.20201 IN SETS.
UFS.131/6R	Screw, Set, securing Rubber Mounting to Dash		2	
C.19267	Tapped Plate, for fixing of Rubber Mounting		1	
C.725	Washer, Shakeproof, on Setscrews		2	
FW.105/T	Washer, Plain, under Shakeproof Washers		2	
C.20217	RUBBER MOUNTING FOR STABILISING LINK AT TOP		1	} SUPERSEDES C.18441 AND C.19267 IN SETS.
UFS.131/6R	Screw, Set, securing Rubber Mounting to Dash		2	
C.20201	Tapped Plate, for fixing of Rubber Mounting		1	
C.725	Washer, Shakeproof, on Setscrews		2	
FW.105T	Washer, Plain, under Shakeproof Washers		2	

CYLINDER BLOCK

Part No.	Description	Plate No.	No. per Unit	Remarks
C.14922	BEARING BRACKET, L.H., ON CLUTCH HOUSING, FOR MOUNTING OF STABILISING LINK AT BOTTOM	1-78	1	
C.14923	BEARING BRACKET, R.H., ON CLUTCH HOUSING, FOR MOUNTING OF STABILISING LINK AT BOTTOM	1-79	1	
UCS.131/6R C.725	Screw, Set, securing Bearing Brackets to Clutch Housing Washer, Shakeproof, on Setscrew		4 4	
C.17769	SUPPORT BRACKET ASSEMBLY FOR REAR ENGINE MOUNTING (UNDER GEARBOX)	1-80	1	Fitted from Chassis No. 850001 to 850168. 875001 to 875590. 860001 to 860009. 885001 to 885050. USE C.19430 FOR ALL REPLACEMENTS.
C.19430	SUPPORT BRACKET ASSEMBLY FOR REAR ENGINE MOUNTING (UNDER GEARBOX)		1	
UFS.131/5R FG.105/X	Screw, Set, securing Support Bracket to Body Floor Washer, Spring, on Setscrews		5 5	Fitted from Chassis No. 850169 to 850648. 875591 to 878888. 860010 to 861061. 885051 to 888081.
C.12677	RUBBER MOUNTING UNDER GEARBOX	1-81	2	
C.8737/3 FW.106/T	Nut, Self-Locking, securing Rubber Mountings to Gearbox and Support Bracket Washer, Plain, under Nuts		4 4	Fitted from Chassis No. 850001 to 850648. 875001 to 878888. 860001 to 861061. 885001 to 888081.
C.21333	SUPPORT BRACKET ASSEMBLY FOR REAR ENGINE MOUNTING (UNDER GEARBOX)		1	
C.12335 C.12265	Spring Seat (Rubber) inside Bracket Centre Bush (Rubber)		1 1	Fitted to Chassis No. 850649 and subs. 878889 and subs. 861062 and subs. 888082 and subs. (See note below)
C.12299	COIL SPRING FOR REAR ENGINE MOUNTING		1	
C.19119 C.21336	Retainer, at top of Coil Spring Pin Assembly, securing Retainer to Gearbox and locating Support Bracket		1 1	Fitted to Chassis No. 850649 and subs. 878889 and subs. 861062 and subs. 888082 and subs. (See note below)
8668	GASKETS PACKAGE FOR COMPLETE ENGINE OVERHAUL (SD.1111)		1	

NOTE : The following cars were fitted with Support Bracket C.19430 and Rubber Mountings C.12677:

Open R.H. Drive 850653, 850654.
 Open L.H. Drive 878895, 878900, 878907, 878908, 878913, 878914, 878915, 878926, 878936, 878937, 878939, 878958, 878986, 879005,
 879024, 879049.

Fixed Head R.H. Drive 861087.

Fixed Head L.H. Drive 888086, 888096, 888101, 888103, 888109, 888113, 888117, 888118, 888120, 888134, 888157, 888178, 888238.

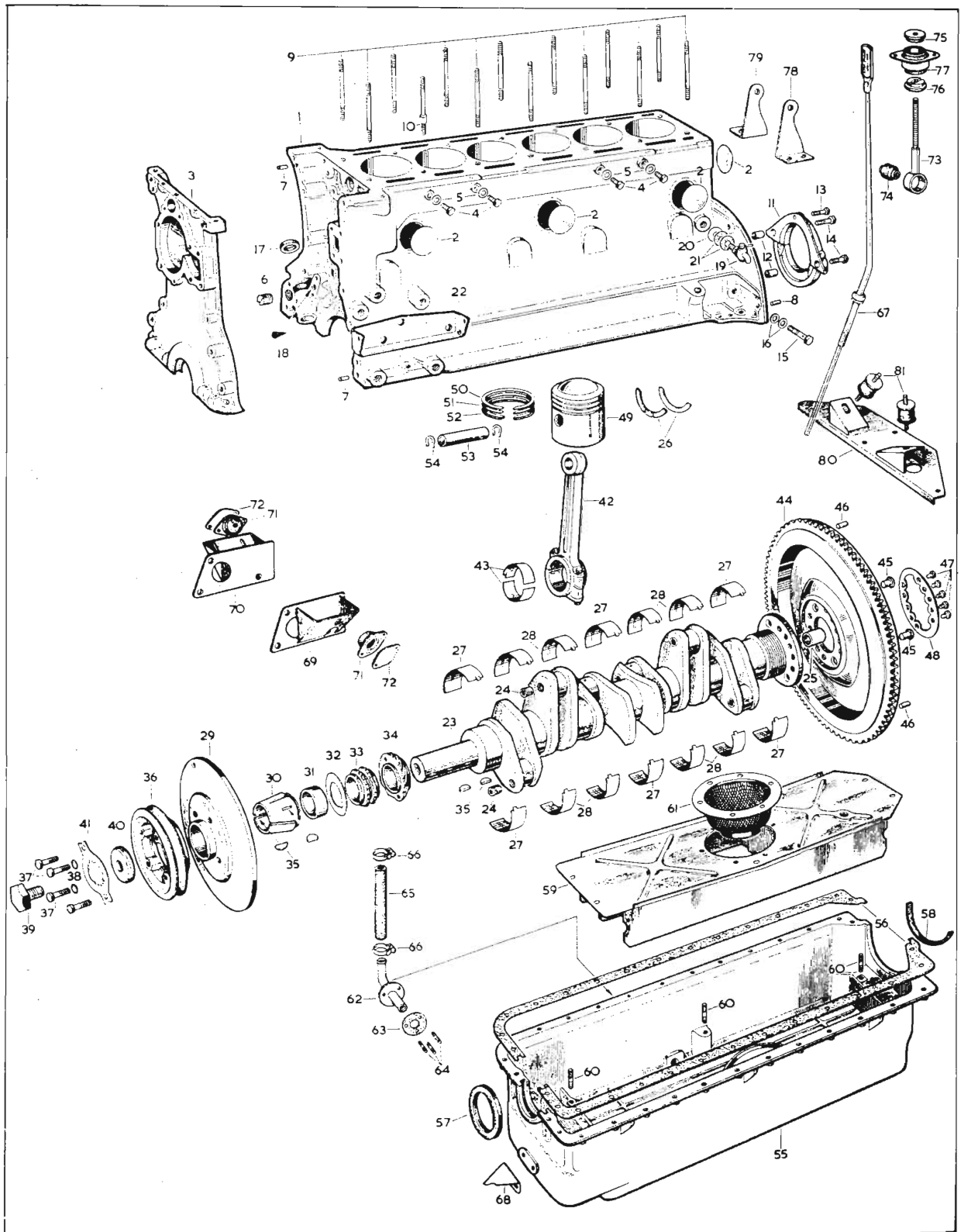


PLATE 1

OIL PUMP

Part No.	Description	Plate No.	No. per Unit	Remarks
C.17655	OIL PUMP COMPLETE (HE.4707)		1	
C.17656	Body only (HE.4708)	2- 1	1	SUPPLIED ONLY AS A COMPLETE ASSEMBLY.
C.17665	Rotor Assembly (HE.4723) (comprising Inner Rotor, Outer Rotor, Driving Shaft and Locking Pin)	2- 2	1	
C.17657	Cover, at bottom of Pump (HE.4709)	2- 3	1	
UCS.131/6R	Screw, Set, securing Cover	2- 4	2	
UCS.131/14R	Screw, Set, securing Cover	2- 5	2	
FG.105/X	Washer, Spring, on Setscrews	2- 6	4	
C.8649	'O' Ring, in Oil Pump Body and Cover	2- 7	2	
C.8646	Drive Shaft, between Distributor and Coupling Shaft	2- 8	1	
C.8647	Bush, on Drive Shaft	2- 9	1	
C.2393	Washer, on Drive Shaft (at bottom of Bush)	2-10	1	
C.2152	Helical Gear, driving Oil Pump and Distributor	2-11	1	
C.753	Key, locking Helical Gear on Drive Shaft	2-12	1	
UFN.256/L	Nut, at bottom of Drive Shaft	2-13	1	
C.2151	Special Washer, locking Nut	2-14	1	
C.8648	Shaft, coupling Driving Gear in Pump and Drive Shaft for Distributor	2-15	1	
C.9294	Dowel Bolt, securing Oil Pump to Bearing Cap	2-16	3	
C.7263	Tab Washer, on Bolts	2-17	3	
C.8608	OIL DELIVERY PIPE FROM PUMP TO CYLINDER BLOCK	2-18	1	
C.2220	Gasket, between Flange of Delivery Pipe and Cylinder Block	2-19	1	
UFB.131/6R	Bolt, securing Delivery Pipe to Cylinder Block		2	
C.7263	Tab Washer, locking Bolts		2	
C.16760	OIL SUCTION PIPE FROM OIL SUMP TO PUMP	2-20	1	
C.6824	Clip, securing Suction Pipe to Struts	2-21	2	
C.8665	Strut, on Pump, supporting Suction Pipe	2-22	1	
C.16761	Strut, on Bearing Cap, supporting Suction Pipe	2-23	1	
UFS.125/5R	Screw, Set, securing Clips to Struts		2	
FW.104/T	Washer, Plain, on Setscrews		2	
C.3968/1	Nut, Self-Locking, on Setscrews		2	
C.6829	Plate, sealing bottom of Suction Pipe	2-24	1	
C.6828	Spring, compressing Plate	2-25	1	
C.1221/4	Split Pin, retaining Plate and Spring on Suction Pipe	2-26	1	

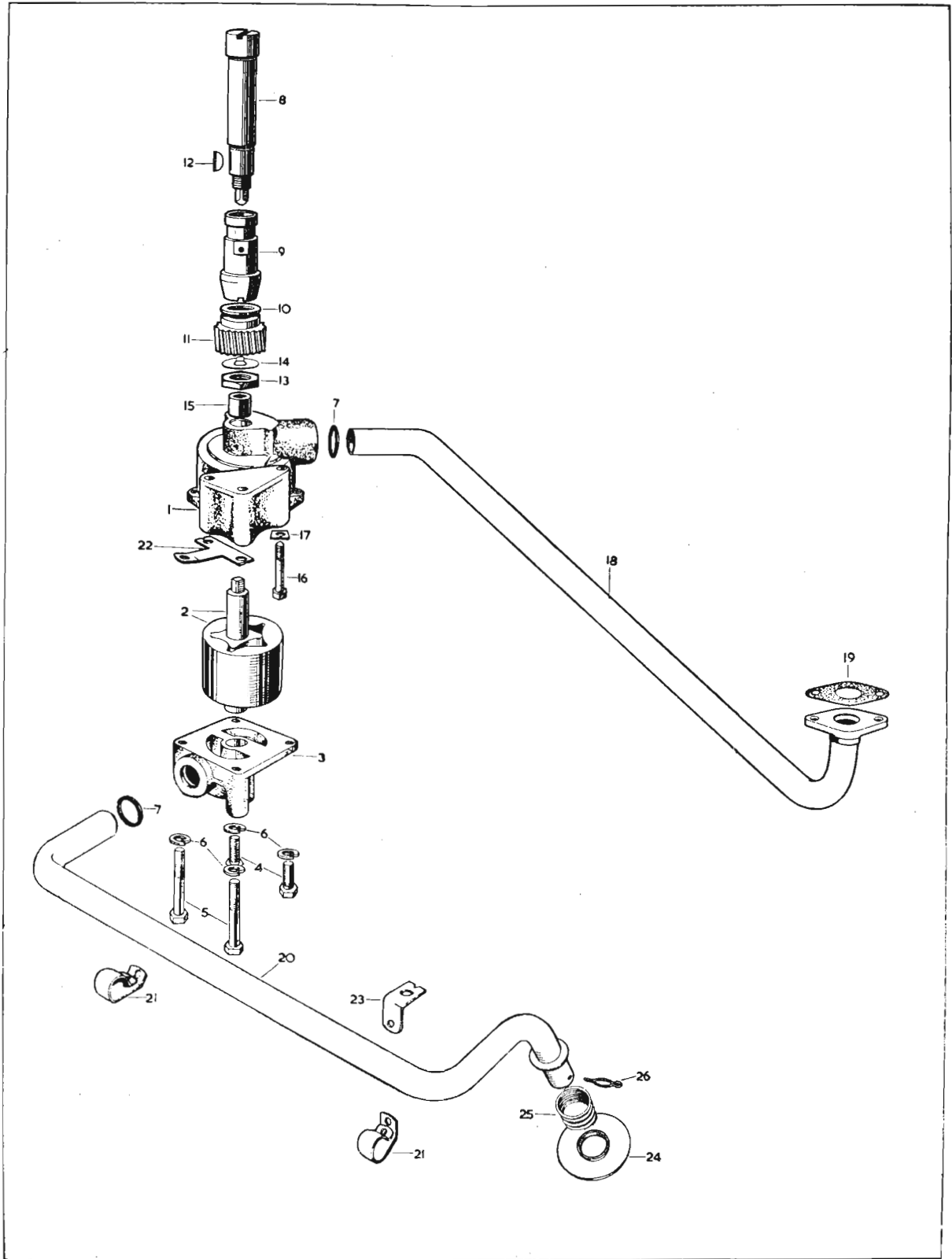


PLATE 2

OIL CLEANER

Part No.	Description	Plate No.	No. per Unit	Remarks
C.15839	OIL CLEANER COMPLETE (FA.2746)	3- 1	1	
7984	Canister Assembly (125429)	3- 2	1	
6159	Spring , at bottom of Canister (160441)	3- 3	1	
6160	Washer , Plain, at top of Spring (174660)	3- 4	1	
6161	Washer , Felt, under Pressure Plate (141251)	3- 5	1	
6886	Pressure Plate (134477)	3- 6	1	
8705	Bolt , through Canister (46387)	3- 7	1	
6158	Washer (Rubber) under Head of Bolt (137574)	3- 8	1	
6163	Spring Clip , on Bolt (174966)	3- 9	1	
1526	Element (FG.2306)	3-10	1	
6883	Sealing Ring , between Filter Head and Canister (137493)	3-11	1	
8750	Filter Head (41077/101)	3-12	1	
8104	Balance Valve Assembly , in Filter Head (50011)	3-13	1	
8103	Washer , under Head of Valve (27612)	3-14	1	
2714	Relief Valve (118261)	3-15	1	
8105	Spring , for Relief Valve (160698)	3-16	1	
8106	Spider and Pin Assembly , under Spring (44128)	3-17	1	
8108	Adaptor , retaining Relief Valve and for connection of Hose to Oil Sump (104702)	3-18	1	
8107	Washer , under Adaptor (140150)	3-19	1	
8751	Drain Plug , at bottom of Filter Head (21665-281)	3-20	1	
8752	Washer , on Drain Plug (140085)	3-21	1	
C.15962	Gasket , between Cylinder Block and Oil Cleaner	3-22	1	
UFB.131/21R	Bolt , securing Oil Cleaner to Cylinder Block		4	
FW.105/E	Washer (Copper) on Bolts		4	
FW.105/T	Washer (Steel) on Bolts		4	
C.15949	HOSE, BETWEEN OIL CLEANER AND SUMP	3-23	1	
C.2905/2	Clip , securing Hose	3-24	2	

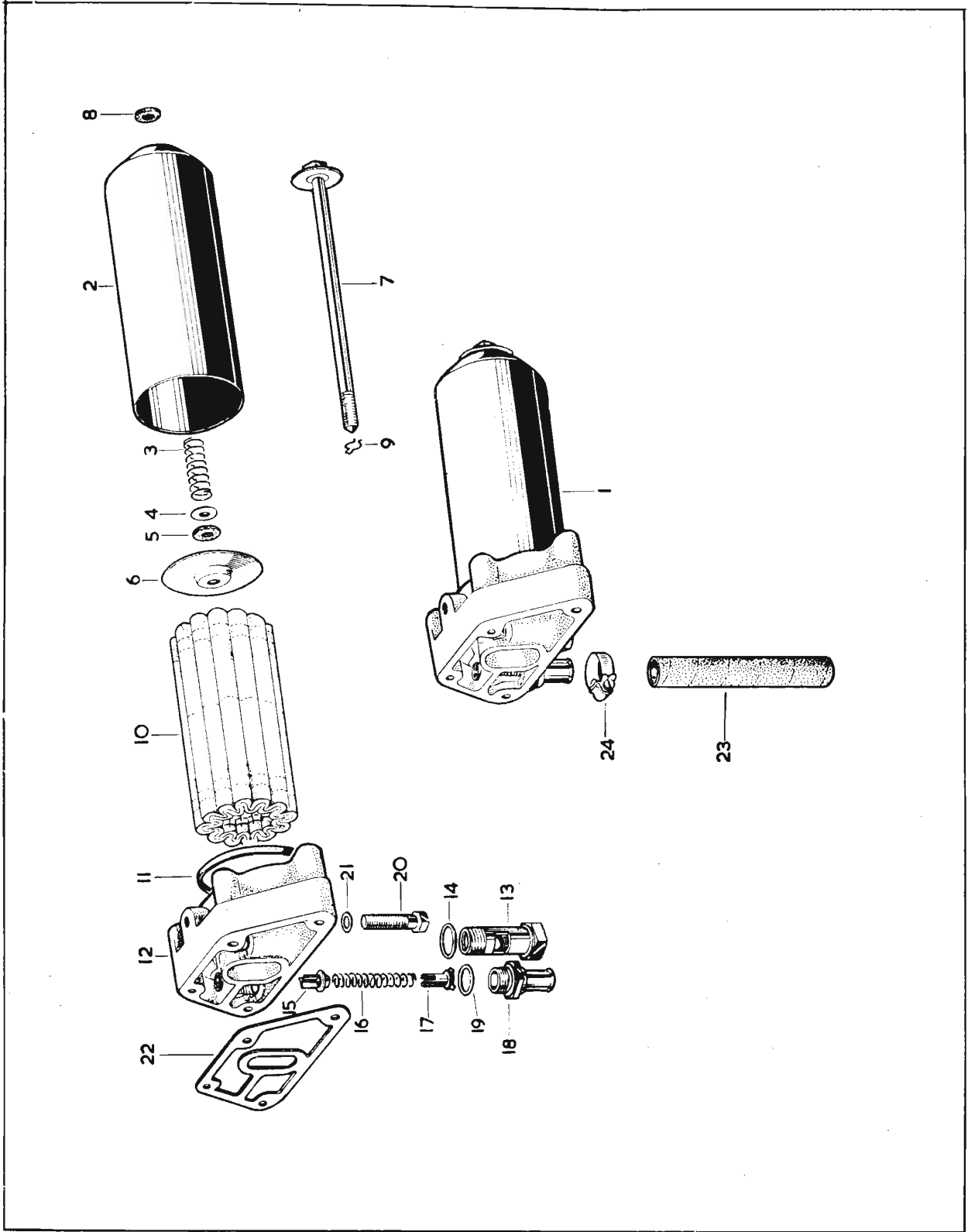


PLATE 3

WATER PUMP

Part No.	Description	Plate No.	No. per Unit	Remarks
C.15694	WATER PUMP, COMPLETE		1	
C.14944	Body only	4- 1	1	
C.8167	Spindle , complete with Bearing	4- 2	1	
C.8011	Screw (Allen Head) retaining Bearing in Pump Body	4- 3	1	
UFN.225/L	Nut , locking Screw	4- 4	1	
C.8256	Thrower , on long end of Spindle, adjacent to Bearing	4- 5	1	
C.6773	Seal , on long end of Spindle, adjacent to Thrower	4- 6	1	
C.7675	Impeller	4- 7	1	
C.17654	Carrier , for Pulley, on short end of Spindle	4- 8	1	
C.2303	Gasket , between Water Pump and Cylinder Block	4- 9	1	
C.17421	Adaptor , on Water Pump, for Heater Hose connection	4-10	1	
C.799	Plug , sealing redundant aperture in Pump Body	4-11	1	
C.2296/1	Washer (Copper) on Adaptor and Plug	4-12	2	
C.14588	PULLEY FOR WATER PUMP	4-13	1	Fitted from Engine No. R.1001 to R.5249.
C.20176	PULLEY FOR WATER PUMP		1	Fitted to Engine No. R.5250 to R.9999. RA.1001 and subs.
UFS.131/5R	Screw , Set, securing Pulley to Carrier	4-14	4	
FG.105/X	Washer , Spring, on Setscrews	4-15	4	
C.15840	BELT, DRIVING PULLEY	4-16	1	Fitted from Engine No. R.1001 to R.5249.
C.19524	BELT, DRIVING PULLEY		1	Fitted to Engine No. R.5250 to R.9999. RA.1001 and subs.
C.7548	BY-PASS WATER HOSE	4-17	1	
C.2905/12	Clip , securing By-pass Hose	4-18	2	
THE ITEMS LISTED BELOW ARE THE HEATER CONNECTIONS FROM THE WATER PUMP AND INLET MANIFOLD.				
C.14999/1	HOSE, BETWEEN ADAPTOR ON WATER PUMP AND FRONT RETURN PIPE	4-19	1	
C.2905/2	Clip , securing Hose	4-20	2	

WATER PUMP

Part No.	Description	Plate No.	No. per Unit	Remarks
C.16871	FRONT RETURN PIPE ALONG SIDE OF CYLINDER BLOCK	4-21	1	
C.16964	Clip, front, securing Front Return Pipe to Cylinder Block	4-22	1	
C.16963	Clip, rear, securing Front Return Pipe to Cylinder Block	4-23	1	
UFS.119/BR	Screw, Set, securing clips to Front Return Pipe		2	
UFN.119/L	Nut, on Setscrews		2	
C.723/A	Washer, Shakeproof, under Nuts		2	
C.4399	HOSE, BETWEEN FRONT AND REAR RETURN PIPES	4-24	1	
C.2905/2	Clip, securing Hose to Return Pipes	4-25	2	
C.17421	ADAPTOR, IN INLET MANIFOLD, FOR WATER FEED TO HEATER UNIT	4-26	1	
C.2296/1	Washer (Copper) on Adaptor	4-27	1	
C.18987	HOSE, BETWEEN ADAPTOR AND R.H. FEED PIPE BEHIND DASH PANEL	4-28	1	
C.2905/2	Clip, securing Hose to Adaptor and R.H. Feed Pipe	4-29	2	

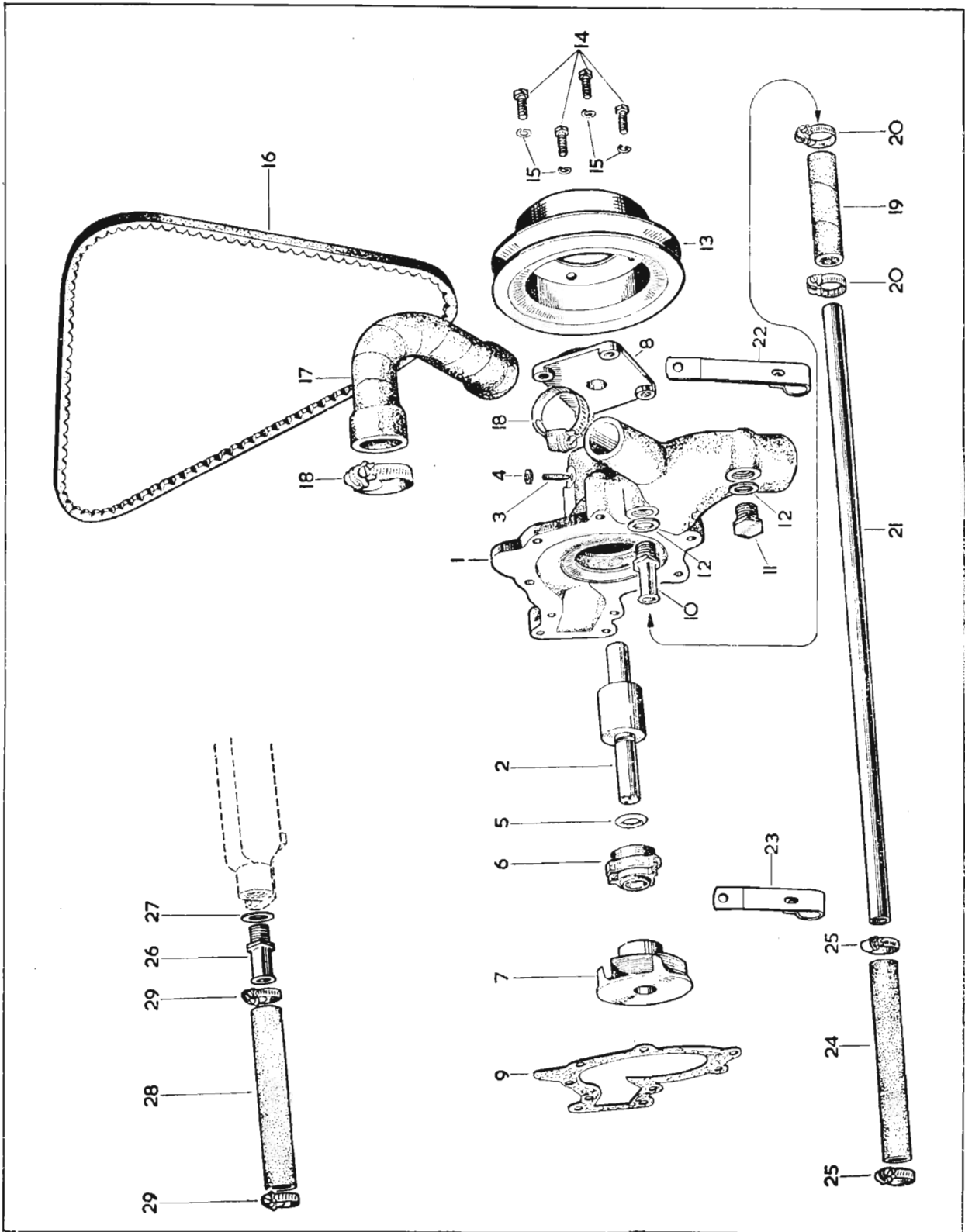


PLATE 4

CYLINDER HEAD

Part No.	Description	Plate No.	No. per Unit	Remarks
8377	CYLINDER HEAD ASSEMBLY, COMPLETE (SD.1105) (Comprising Cylinder Head, Valves, Valve Inserts, Guides, Springs, Tappets, Tappet Guides, Adjusting Pads, Camshafts, Camshaft Covers, Filler Cap, Rev. Counter Generator, Breather Cover, etc.)		1	
C.14957	CYLINDER HEAD	5- 1	1	
C.2326	Stud , in Cylinder Head, for fixing of Camshaft Bearing Caps and Covers	5- 2	16	
C.2373	Ring Dowel , on Studs	5- 3	16	
C.2323	'D' Washer , on Studs	5- 4	16	
UFN.131/L	Nut , securing Bearing Caps		16	
FG.105/X	Washer , Spring, under Nuts		16	
C.2157	Core Plug (headed) on top of Cylinder Head	5- 5	3	
C.2296/2	Washer (Copper) under Headed Core Plug	5- 6	3	
C.15509	Guide , for Inlet Valve	5- 7	6	
C.15506	Guide , for Exhaust Valve		6	
C.12507	Insert , for Inlet Valve	5- 8	6	
C.9865	Insert , for Exhaust Valve		6	
C.7262	Guide , for Tappets	5- 9	12	
C.11530	Core Plug , on Inlet Face of Cylinder Head		2	
C.11531	Washer (Copper) on Core Plugs		2	
C.13795	Gasket , between Cylinder Head and Cylinder Block	5-10	1	SUPERSEDED BY C.19113.
C.19113	Gasket , between Cylinder Head and Cylinder Block		1	
C.2189	Stud (Short) for fixing of Cylinder Head to Timing Cover and Cylinder Block	5-11	4	
UFN.131/L	Nut , on Studs		4	
FG.105/X	Washer , Spring, under Nuts at Cylinder Head		2	
FW.105/E	Washer (Copper) under Nuts at Timing Cover		2	
C.2325	Stud , in Cylinder Head, for fixing of Exhaust Manifolds	5-12	15	
C.7624	Stud , in Cylinder Head, for fixing of Exhaust Manifolds and Dipstick Retaining Clip	5-13	1	
UFN.131/Q	Nut (Bronze) for Exhaust Manifold Studs		16	
FG.105/X	Washer , Spring, under Nuts		16	
C.11761	Stud , in Cylinder Head, for fixing of Inlet Manifolds	5-14	18	
C.4202/2	Nut , on Inlet Manifold Studs		18	
FG.105/X	Washer , Spring, under Nuts		18	
C.6727/1	Stud , in front end of Cylinder Head, for fixing of Camshaft Covers	5-15	6	
C.6727	Stud , in front face of Cylinder Head, for fixing of Breather Housing	5-16	4	
C.317	Core Plug for Exhaust face of Cylinder Head		2	
C.2328	Dome Nut , securing Cylinder Head to Cylinder Block		14	
C.2385	'D' Washer , under Dome Nuts		10	
FW.207/T	Washer , Plain, under Dome Nuts		4	
8667	GASKETS PACKAGE FOR DECARBONISING ENGINE (SD.1110)		1	

CYLINDER HEAD

Part No.	Description	Plate No.	No. per Unit	Remarks
C.12444	INLET VALVE	5-17	6	
C.7708	EXHAUST VALVE	5-18	6	
C.7137	VALVE SPRING, INNER	5-19	12	
C.7136	VALVE SPRING, OUTER	5-20	12	
C.2181	Seat, for Valve Springs	5-21	12	
C.2159	Collar, at top of Valve Seats	5-22	12	
C.430	Cotter, retaining Collar to Valve Seats	5-23	24	
C.7213/1	TAPPET	5-24	12	
VALVE ADJUSTING PADS				
C.2243/A	Adjusting Pad (.085" thick)	5-25	12	SELECTIVE SIZES. Choose the Pad of the desired thickness.
C.2243/B	Adjusting Pad (.086" thick)	5-25	12	
C.2243/C	Adjusting Pad (.087" thick)	5-25	12	
C.2243/D	Adjusting Pad (.088" thick)	5-25	12	
C.2243/E	Adjusting Pad (.089" thick)	5-25	12	
C.2243/F	Adjusting Pad (.090" thick)	5-25	12	
C.2243/G	Adjusting Pad (.091" thick)	5-25	12	
C.2243/H	Adjusting Pad (.092" thick)	5-25	12	
C.2243/I	Adjusting Pad (.093" thick)	5-25	12	
C.2243/J	Adjusting Pad (.094" thick)	5-25	12	
C.2243/K	Adjusting Pad (.095" thick)	5-25	12	
C.2243/L	Adjusting Pad (.096" thick)	5-25	12	
C.2243/M	Adjusting Pad (.097" thick)	5-25	12	
C.2243/N	Adjusting Pad (.098" thick)	5-25	12	
C.2243/O	Adjusting Pad (.099" thick)	5-25	12	
C.2243/P	Adjusting Pad (.100" thick)	5-25	12	
C.2243/Q	Adjusting Pad (.101" thick)	5-25	12	
C.2243/R	Adjusting Pad (.102" thick)	5-25	12	
C.2243/S	Adjusting Pad (.103" thick)	5-25	12	
C.2243/T	Adjusting Pad (.104" thick)	5-25	12	
C.2243/U	Adjusting Pad (.105" thick)	5-25	12	
C.2243/V	Adjusting Pad (.106" thick)	5-25	12	
C.2243/W	Adjusting Pad (.107" thick)	5-25	12	
C.2243/X	Adjusting Pad (.108" thick)	5-25	12	
C.2243/Y	Adjusting Pad (.109" thick)	5-25	12	
C.2243/Z	Adjusting Pad (.110" thick)	5-25	12	

CYLINDER HEAD

Part No.	Description	Plate No.	No. per Unit	Remarks
C.14985	INLET CAMSHAFT	5-26	1	Fitted from Engine No. R.1001 to R.1216 R.5001 and subs.
C.17138	INLET CAMSHAFT		1	Fitted from Engine No. R.1217 to R.5000.
C.13081	EXHAUST CAMSHAFT	5-27	1	
C.2288	Bearing, for Camshafts	5-28	16 halves	
C.2324	OIL THROWER, AT REAR END OF EXHAUST CAMSHAFT	5-29	1	
UFS.137/4R FW.106/E	Screw, Set, securing Oil Thrower to Exhaust Camshaft Washer (Copper) on Setscrew	5-30 5-31	1 1	
C.2312	Sealing Ring, at rear end, between Exhaust Camshaft Cover and Cylinder Head	5-32	1	} Fitted from Engine No. R.1001 to R.2599. Fit C.2312/1 only if necessary to prevent oil leak.
C.2312/1	Sealing Ring (Oversize) at rear end, between Exhaust Camshaft Cover and Cylinder Head	5-32	1	
C.19044	Sealing Ring, at rear end, between Exhaust Camshaft Cover and Cylinder Head		1	
				Fitted to Engine No. R.2600 and subs.
C.2154/1	FLANGED SEALING PLUG AT LEFT-HAND REAR OF CYLINDER HEAD	5-33	1	Fitted from Engine No. R.1001 to R.2599.
C.19043	FLANGED SEALING PLUG AT LEFT-HAND REAR OF CYLINDER HEAD		1	Fitted to Engine No. R.2600 and subs.
C.7134/2 FW.105/E	Screw, Set, securing Flanged Plug to Cylinder Head Washer (Copper) on Setscrews		2 2	
C.14991	SEAL, BETWEEN REAR BEARING CAP AND R.H. (INLET) CAMSHAFT, FOR ELECTRIC REV. COUNTER GENERATOR	5-34	1	

CYLINDER HEAD

Part No.	Description	Plate No.	No. per Unit	Remarks
C.16771	ADAPTOR, AT END OF R.H. (INLET) CAMSHAFT, FOR ELECTRIC REV. COUNTER GENERATOR	5-35	1	
C.16772	DRIVING DOG, COUPLING ADAPTOR TO ELECTRIC REV. COUNTER GENERATOR	5-36	1	
C.16773	Circlip, securing Driving Dog to Adaptor	5-37	1	
C.14996	GENERATOR, ON INLET CAMSHAFT, FOR ELECTRIC REV. COUNTER	5-38	1	
9993	Connector Moulding Assembly (41-161-105-00)		1	
9994	Gasket, under Moulding (31-754-707)		1	
AS.306/2.5H	Screw, Set, securing Moulding (30-232-089-11)		2	
AG.106/X	Washer, Spring, on Setscrews (30-282-010-11)		2	
C.14990	'O' Ring on Generator	5-39	1	
C.14992	Screw (Allen Head) securing Generator to Cylinder Head	5-40	3	
C.15918	Plate Washer, on Screws, adjacent to Cylinder Head	5-41	1	
C.15919	Lock Washer, between head of Screws and Plate Washer	5-42	3	
C.14987/1	COVER FOR R.H. (INLET) CAMSHAFT	5-43	1	
C.7186/1	COVER FOR L.H. (EXHAUST) CAMSHAFT	5-44	1	Fitted from Engine No. R.1001 to R.2599.
C.19042	COVER FOR L.H. (EXHAUST) CAMSHAFT		1	Fitted to Engine No. R.2600 and subs.
C.6735	Gasket, between L.H. Camshaft Cover and Cylinder Head	5-45	1	
C.14988	Gasket, between R.H. Camshaft Cover and Cylinder Head	5-46	1	
C.2327	Dome Nut, securing Camshaft Covers to Cylinder Head	5-47	22	
FW.104/E	Washer (Copper) under Dome Nuts	5-48	22	
C.1022	OIL FILLER CAP ON LEFT-HAND CAMSHAFT COVER	5-49	1	
C.419	Washer (Fibre) on Filler Cap	5-50	1	

CYLINDER HEAD

Part No.	Description	Plate No.	No. per Unit	Remarks
C.5849	OIL PIPE FROM CYLINDER BLOCK TO REAR OF CYLINDER HEAD	5-51	1	
C.5846	Banjo Bolt , securing Oil Pipe to Cylinder Head and Block	5-52	3	
C.4146	Washer (Copper) at each side of Banjos	5-53	6	
C.8048	FRONT COVER AND BREATHER HOUSING	5-54	1	} Fitted from Chassis No. 850001 to 850091. 875001 to 875385. 860001 to 860004. 885001 to 885020.
C.2391	Pipe , in Cover	5-55	1	
C.2390	Baffle , behind Cover	5-56	1	
C.2227	Gasket , at front and rear of Baffle	5-57	2	
C.2327	Dome Nut , securing Cover to Cylinder Head	5-58	4	
FG.104/X	Washer , Spring, under Dome Nuts	5-59	4	
C.2485/1	FLEXIBLE PIPE FOR BREATHER ON FRONT COVER (27" LONG)	5-60	1	} Fitted from Chassis No. 850001 to 850091. 875001 to 875385. 860001 to 860004. 885001 to 885020.
C.2905/3	Clip , securing Flexible Pipe to Front Cover	5-61	1	
C.1040/21	Clip , securing Flexible Pipe to L.H. Undershield	5-62	1	
UFS.125/4R	Screw , Set, securing Clip to L.H. Undershield		1	
UFN.125/L	Nut , on Setscrew		1	
C.724	Washer , Shakeproof, under Nut		1	
C.18584	FRONT COVER AND BREATHER HOUSING ASSEMBLY		1	} Fitted to Chassis No. 850092 and subs. 875386 and subs. 860005 and subs. 885021 and subs.
C.18604/1	Gauze Filter Assembly , behind Front Cover		1	
C.2227	Gasket , at front and rear of Filter		2	
C.2327	Dome Nut , securing Cover to Cylinder Head		4	
FG.104/X	Washer , Spring, under Dome Nuts		4	
C.18591	ELBOW HOSE, BETWEEN TOP OF BREATHER HOUSING AND BREATHER PIPE		1	}
C.15886/8	Clip , securing Elbow Hose		2	

CYLINDER HEAD

Part No.	Description	Plate No.	No. per Unit	Remarks
C.19002	BREATHER PIPE FROM ELBOW HOSE TO ADAPTOR ON AIR BOX BASE		1	} Fitted to Chassis No. 850092 and subs. 875386 and subs. 860005 and subs. 885021 and subs.
C.19007	Clip, on Inlet Manifold Stud, securing Pipe		1	
UFS.119/4R	Screw, Set, through Clip		1	
UFN.119/L	Nut, on Setscrew		1	
C.723/A	Washer, Shakeproof, under Nut		1	
C.18589	HOSE, BETWEEN BREATHER PIPE AND ADAPTOR ON AIR BOX BASE		1	
C.15886/8	Clip, securing Hose		2	
C.19003	ADAPTOR, ON AIR BOX BASE, FOR CONNECTION OF HOSE FROM BREATHER		1	
C.19006	Gasket, under Adaptor		1	
UFN.125/L	Nut, securing Adaptor		2	
FG.104/X	Washer, Spring, under Nuts		2	
C.18396	EXHAUST MANIFOLD, FRONT	5-63	1	
C.18397	EXHAUST MANIFOLD, REAR	5-64	1	
C.2318	Gasket, between Exhaust Manifolds and Cylinder Head	5-65	2	
C.15848	Clip, under Manifold nut, retaining Dipstick	5-66	1	
C.11583	Distance Piece, under Clip		1	
C.2369	Stud, in outlet flanges of Exhaust Manifolds, for attachment of Exhaust Down Pipes	5-67	8	
C.17916	Nut, securing Exhaust Pipes to Manifold		8	
FG.106/X	Washer, Spring, under Nuts		8	
C.18405/1	Sealing Ring, between outlet flanges of Manifolds and Exhaust Down Pipes	5-68	2	
C.15832	INLET MANIFOLD, FRONT	5-69	1	
C.15832	INLET MANIFOLD, CENTRE	5-70	1	

CYLINDER HEAD

Part No.	Description	Plate No.	No. per Unit	Remarks
C.15833	INLET MANIFOLD, REAR	5-71	1	
C.14127	Gasket , between Inlet Manifolds and Cylinder Head	5-72	3	
C.2496	Stud , in Inlet Manifold, for attachment of Water Outlet and Air Balance Pipes		12	
C.6570	Stud , in Inlet Manifold, for attachment of Carburetters		12	
C.4202/2	Nut , on Studs		24	
FG.105/X	Washer , Spring, under Nuts		24	
C.14918	AIR BALANCE PIPE	5-73	1	Fitted from Engine No. R.1001 to R.2933.
C.18945	AIR BALANCE PIPE		1	Fitted to Engine No. R.2934 and subs.
C.11577	Gasket , between Air Balance Pipe and Inlet Manifolds	5-74	3	
C.12472	Stud , in Balance Pipe, for attachment of Brake Servo Adaptor	5-75	2	
C.14746	ADAPTOR, AT REAR OF AIR BALANCE PIPE, FOR CONNECTION OF BRAKE SERVO VACUUM HOSE	5-76	1	
C.14089	Gasket , between Adaptor and Balance Pipe	5-77	1	
UFN.125/L	Nut , securing Adaptor		2	
FG.104/X	Washer , Spring, under Nuts		2	
C.15905	WATER OUTLET PIPE	5-78	1	
C.11577	Gasket for Water Outlet Pipe	5-79	3	
C.2496	Stud , in Water Outlet Pipe, for attachment of Outlet Elbow		2	
C.12867/2	THERMOSTAT IN WATER OUTLET PIPE (OPENING TEMPERATURE 159° TO 168° F)	5-80	1	Fitted from Engine No. R.1001 to R.8299.
C.20766/2	THERMOSTAT IN WATER OUTLET PIPE (OPENING TEMPERATURE 159° TO 168° F)	5-80	1	Fitted to Engine No. R.8300 and subs.

CYLINDER HEAD

Part No.	Description	Plate No.	No. per Unit	Remarks
C.17345	BLANKING PLATE, IN WATER OUTLET PIPE, SEALING REDUNDANT CHOKE THERMOSTAT APERTURE	5-81	1	
C.2475	Gasket, between Blanking Plate and Water Outlet Pipe	5-82	1	
C.7134/1	Screw, Set, securing Blanking Plate to Water Outlet Pipe		3	
C.723/A	Washer, Shakeproof, on Setscrews		3	
C.12422	WATER OUTLET ELBOW	5-83	1	
C.4985	Gasket for Water Outlet Elbow	5-84	1	
C.4202/2	Nut, securing Water Outlet Elbow to Outlet Pipe		2	
FG.105/X	Washer, Spring, under Nuts		2	
UN.12Y	SPARKING PLUG (CHAMPION)		6	
	HIGH TENSION SPARKING PLUG LEADS			
C.4976	Lead to No. 1 Sparking Plug		1	Fitted from Engine No. R.1001 to R.3854. USE 5520/1 FOR ALL REPLACEMENTS.
C.4977	Lead to No. 2 Sparking Plug		1	
C.4978	Lead to No. 3 Sparking Plug		1	
C.4979	Lead to No. 4 Sparking Plug		1	
C.4980	Lead to No. 5 Sparking Plug		1	
C.4981	Lead to No. 6 Sparking Plug		1	
C.4741	Lead to Ignition Coil		1	
5520/1	HIGH TENSION CABLE TO SPARKING PLUGS AND COIL (21'-0" LONG)		1	Fitted to Engine No. R.3855 and subs.
C.16979	TERMINAL FOR SPARKING PLUG LEADS (INCORPORATING SUPPRESSOR)		6	
C.17456	TERMINAL FOR SPARKING PLUG LEADS		6	FOR EXPORT ONLY.

CYLINDER HEAD

Part No.	Description	Plate No.	No. per Unit	Remarks
C.18285	RUBBER SLEEVE FOR SPARKING PLUG TERMINALS		6	
C.2451	CONDUIT, ALONG CENTRE OF CYLINDER HEAD, ENCLOSING SPARKING PLUG LEADS		1	
C.4983	SPACER FOR SPARKING PLUG LEADS (THICK)		2	} Fitted from Engine No. R.1001 to R.3854.
C.4984	SPACER FOR SPARKING PLUG LEADS (THIN)		3	
C.4982	CLIP AROUND THICK SPACER		1	
C.19890	CLIP, ON TIMING COVER BOLT, RETAINING SPARKING PLUG LEADS		1	} Fitted to Engine No. R.3855 and subs. MAY BE USED TO REPLACE C.4983, C.4984 and C.4982.
3204	Grommet, in Clip		1	
UFB.131/15R	Bolt, securing Clip		1	
C.2155	Distance Piece, on Bolt		1	
C.19889	SLEEVE (P.V.C.) FOR SPARKING PLUG AT FRONT OF CYLINDER HEAD		1	

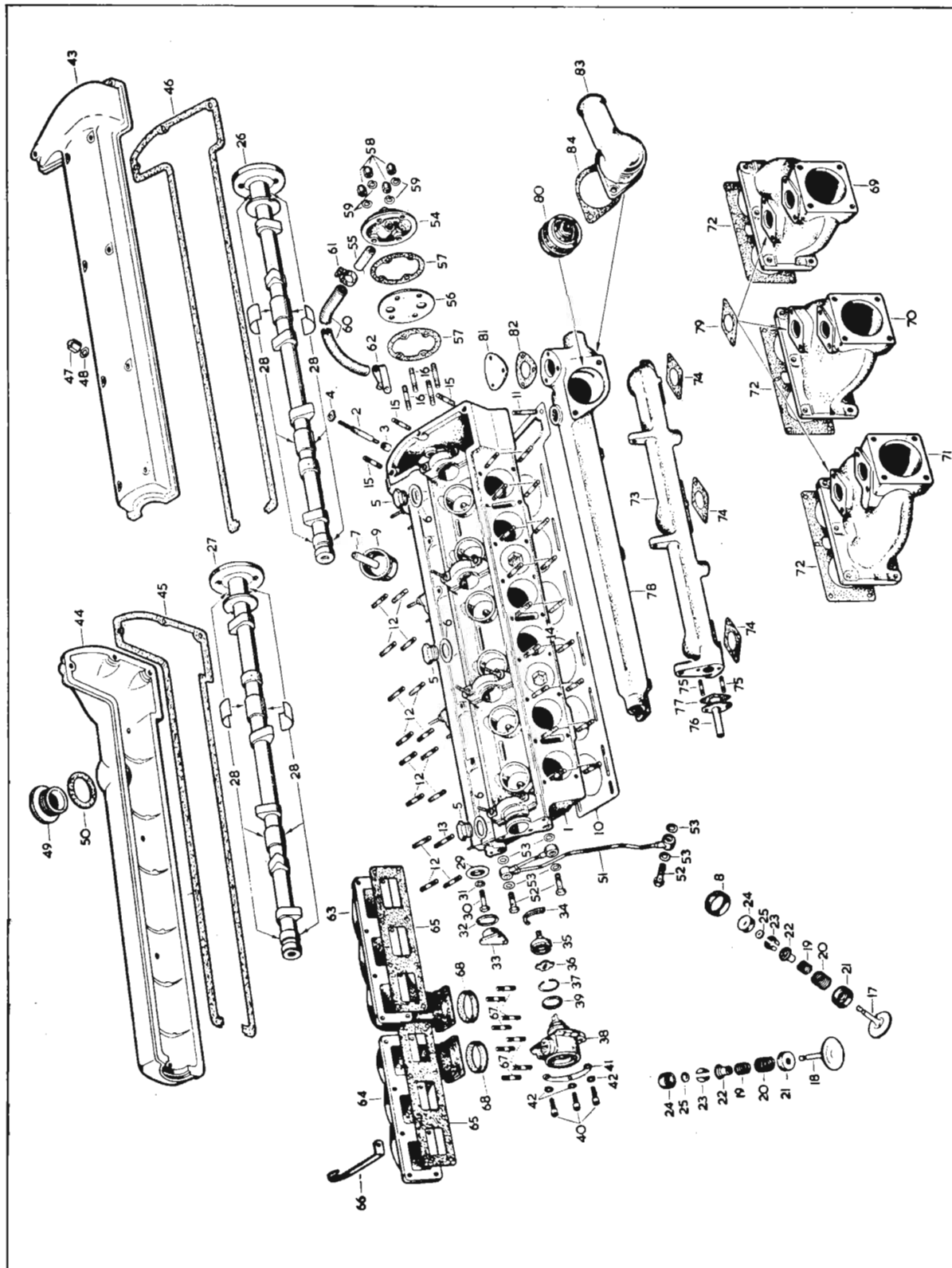


PLATE 5

TIMING GEAR

Part No.	Description	Plate No.	No. per Unit	Remarks
C.2169	SPROCKET FOR CAMSHAFTS	6- 1	2	
C.2329	Adjusting Plate , inside Camshaft Sprockets	6- 2	2	} SUPPLIED ONLY AS AN ASSEMBLY TO PART No. 1003.
C.2191	Clamping Plate , on Adjusting Plates	6- 2	2	
C.2193	Circlip , retaining Adjusting Plates in Sprockets	6- 3	2	
C.2178	Guide Pin , through Adjusting Plates	6- 4	2	
C.2194	Star Washer , on Guide Pin, behind Adjusting Plates	6- 5	2	
C.2261	Circlip , retaining Guide Pins	6- 6	2	
C.2310	Screw, Set , securing Adjusting Plates and Sprockets to Camshafts		4	
C.4128/1	FRONT MOUNTING BRACKET FOR TIMING GEAR	6- 7	1	
C.4129	REAR MOUNTING BRACKET FOR TIMING GEAR	6- 8	1	
C.2182	Stud , for fixing of front and rear Mounting Brackets		4	
UFN.125/L	Nut , securing Brackets on Studs		4	
C.724	Washer , Shakeproof, under Nuts		4	
C.7424	Bolt (Long) securing Mounting Bracket to Cylinder Block		4	
C.740	Washer , Shakeproof, on Bolts		4	
C.2166	Bolt (Short) securing rear Mounting Bracket and Intermediate Chain Damper to Cylinder Block		2	
C.16831	Tab Washer , retaining Bolts		1	
C.2308	IDLER SPROCKET (21 TEETH) BETWEEN MOUNTING BRACKETS	6- 9	1	
C.2319	Bush , for Idler Sprocket		1	
C.2177	ECCENTRIC SHAFT, THROUGH IDLER SPROCKET, FOR ADJUSTMENT OF UPPER TIMING CHAIN	6-10	1	
C.2282	Plug , in end of Eccentric Shaft	6-11	1	
C.4404	ADJUSTMENT PLATE, ON FACE OF FRONT MOUNTING BRACKET, FOR MICRO ADJUSTMENT OF UPPER TIMING CHAIN	6-12	1	
C.3338/4	Nut , securing Adjustment Plate to Eccentric Shaft		1	
C.742	Washer , Shakeproof, under Nut		1	
C.4405	Plunger Pin , in front Mounting Bracket, holding Adjustment Plate in tension	6-13	1	
C.2297	Spring , behind Plunger Pin	6-14	1	

TIMING GEAR

Part No.	Description	Plate No.	No. per Unit	Remarks
C.2309	INTERMEDIATE SPROCKET (20 TEETH) AT BOTTOM OF UPPER TIMING CHAIN		1	} SUPERSEDED BY C.17154. USE C.17154 FOR ALL REPLACEMENTS.
C.2320	Bush, for Sprocket		1	
C.2307	INTERMEDIATE SPROCKET (28 TEETH) AT TOP OF LOWER TIMING GEAR		1	} SUPERSEDED BY C.17154. USE C.17154 FOR ALL REPLACEMENTS.
C.926	Key, locking Intermediate Sprockets together		1	
C.17154	INTERMEDIATE SPROCKET ASSEMBLY AT TOP OF LOWER TIMING CHAIN	6-15	1	SUPERSEDES C.2309 AND C.2307.
C.2320	Bush, for Sprocket		1	
C.2161	SHAFT, HOLDING INTERMEDIATE SPROCKETS	6-16	1	
C.2335	Circlip, retaining Shaft	6-17	1	
C.2256	TOP TIMING CHAIN	6-18	1	
C.13616	L.H. DAMPER ASSEMBLY FOR UPPER TIMING CHAIN	6-19	1	
C.13617	R.H. DAMPER ASSEMBLY FOR UPPER TIMING CHAIN	6-20	1	
C.13660	Distance Piece, for Upper Dampers	6-21	4	
C.13615	INTERMEDIATE DAMPER ASSEMBLY FOR UPPER TIMING CHAIN		1	SUPERSEDED BY C.13615/1. USE C.13615/1 FOR ALL REPLACEMENTS.
C.13615/1	INTERMEDIATE DAMPER ASSEMBLY FOR UPPER TIMING CHAIN	6-22	1	SUPERSEDES C.13615 at Engine No. R.5533.
C.2255	BOTTOM TIMING CHAIN	6-23	1	
C.13614	VIBRATION DAMPER FOR LOWER TIMING CHAIN		1	} Fitted from Engine No. R.1001 to R.8138.
UFS.131/5R	Screw, Set, securing Damper to Cylinder Block		2	
C.7436	Tab Washer, on Setscrews		1	

TIMING GEAR

Part No.	Description	Plate No.	No. per Unit	Remarks
C.13614/1	VIBRATION DAMPER FOR LOWER TIMING CHAIN	6-24	1	} Fitted to Engine No. R.8139 and subs.
UFS.131/5R C.20397	Screw, Set, securing Damper to Cylinder Block Tab Washer, locking Setscrews		2 1	
C.10332	HYDRAULIC CHAIN TENSIONER ASSEMBLY	6-25	1	
6029	Tab Washer, securing Adjuster Plug		1	
C.9766 UFB.125/11R	Shim, for adjustment of Hydraulic Chain Tensioner Bolt, securing Hydraulic Chain Tensioner to Cylinder Block	6-26	As req'd 2	
C.10333	Tab Washer, retaining Bolts		1	
6265	REPAIR KIT FOR HYDRAULIC CHAIN TENSIONER (SD.1042) (Comprising Cylinder Barrel, Spring, Plug and Tab Washer)		1	
C.13457	FILTER GAUZE, IN CYLINDER BLOCK, BEHIND HYDRAULIC CHAIN TENSIONER	6-27	1	
C.8614/1	FRONT TIMING COVER	6-28	1	
C.8615 C.8593	Gasket, between Timing Cover and Cylinder Block Oil Seal, between Timing Cover and Crankshaft	6-29 6-30	2 halves 1	
C.2183	Stud, in Front Timing Cover, for fixing of Cylinder Head		2	
C.2184	Stud, in Front Timing Cover, for fixing of Water Pump		3	
C.2325	Stud, in Front Timing Cover, for fixing of Oil Sump		4	
UFN.131/L	Nut, on Studs		9	
FG.105/X	Washer, Spring, under Nuts		5	
C.725	Washer, Shakeproof, at Oil Sump fixing		4	
UFB.131/9R	Bolt, securing Timing Cover to Cylinder Block		1	
UFB.131/26R	Bolt, securing Timing Cover and Water Pump to Cylinder Block		2	
UFB.131/14R	Bolt, securing Timing Cover to Cylinder Block		2	1 required after Engine No. R.1509.
UFB.131/21R	Bolt, securing Timing Cover and Water Pump to Cylinder Block		3	4 required after Engine No. R.1509.
UFB.131/22R	Bolt, securing Timing Cover, Water Pump and Dynamo Adjusting Link to Cylinder Block		1	Up to Engine No. R.1509.
FG.105/X	Washer, Spring, on Bolts		9	
UFB.137/11R	Bolt, securing Timing Cover to Cylinder Block		5	3 required after Engine No. R.1845.
FG.106/X	Washer, Spring, on Bolts		5	3 required after Engine No. R.1845.
UFB.131/15R	Bolt, securing Timing Cover to Cylinder Block		1	For Engine No. R.1845 and subs.
C.14924	DYNAMO ADJUSTING LINK		1	} Fitted from Engine No. R.1001 to R.1509.
FW.105/T	Washer, Plain, for Adjusting Link		1	

TIMING GEAR

Part No.	Description	Plate No.	No. per Unit	Remarks
C.2286	DYNAMO ADJUSTING LINK		1	} Fitted from Engine No. R.1510 to R.1844.
C.18307	Distance Piece , behind Adjusting Link		1	
UFB.131/20R	Bolt , for Adjusting Link		1	
C.18850	DYNAMO LINK	6-31	1	} Fitted to Engine No. R.1845 to R.9999. RA.1001 and subs.
C.18307	Distance Piece , behind Link	6-32	1	
UFB.131/20R	Bolt , securing Link		1	
C.18732	BRACKET ASSEMBLY MOUNTING AUTOMATIC FAN BELT TENSIONER	6-33	1	} Fitted to Engine No. R.1845 to R.9999. RA.1001 and subs.
UFB.137/13R	Bolt , securing Bracket and Timing Cover to Cylinder Block		1	
UFB.137/14R	Bolt , securing Bracket and Timing Cover to Cylinder Block		1	
FG.106/X	Washer , Spring, on Bolts		2	
C.18447	TORSION SPRING AUTOMATICALLY ADJUSTING TENSION ON FAN BELT	6-34	1	} Fitted from Engine No. R.1845 to R.9999. RA.1001 to RA.1099.
C.18835	CARRIER FOR JOCKEY PULLEY	6-35	1	
C.8737/2 C.18454	Nut , Self-Locking, securing Carrier to Bracket Thrust Washer , under Nut		1 1	
C.21330	CARRIER FOR JOCKEY PULLEY		1	} Fitted to Engine No. RA.1100 and subs. May be used IN PAIRS to replace C.18835 and C.18454.
C.8737/2 C.21326	Nut , Self-Locking, securing Carrier to Bracket Thrust Washer and Stop , under Nut		1 1	
C.18733	JOCKEY PULLEY ASSEMBLY FOR FAN BELT		1	
C.3968/2	Nut , Self-Locking, securing Pulley to Carrier		1	} Fitted from Engine No. R.1845 to R.5249.
C.19521	JOCKEY PULLEY ASSEMBLY FOR FAN BELT	6-36	1	
C.3968/2	Nut , Self-Locking, securing Pulley to Carrier		1	} Fitted to Engine No. R.5250 to R.9999. RA.1001 and subs.

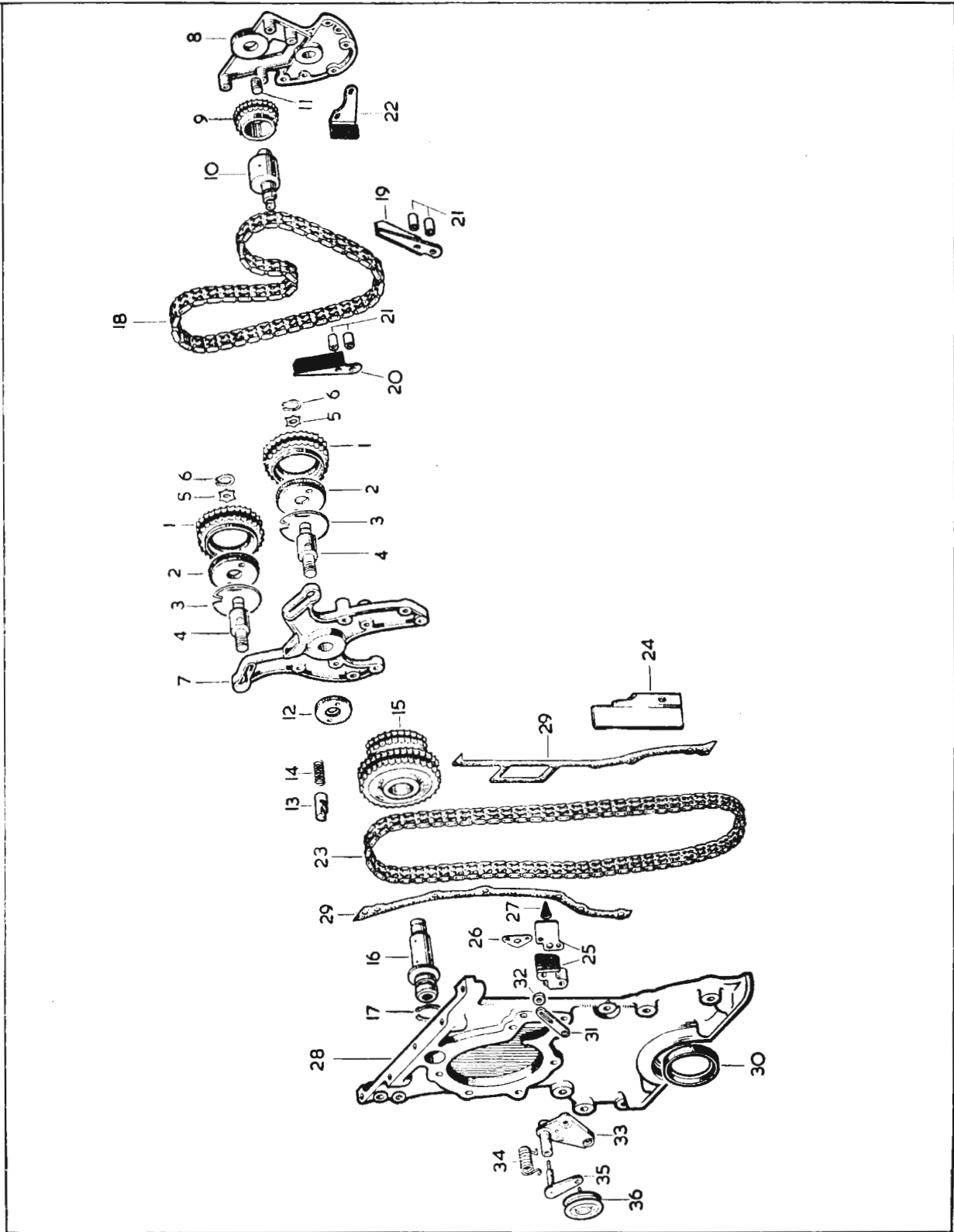


PLATE 6

CARBURETTERS AND PETROL FILTER

Part No.	Description	Plate No.	No. per Unit	Remarks
C.15835	FRONT CARBURETTER ASSEMBLY (HD.8)	7- 1	1	
8762	Body only (AUC.8271)	7- 2	1	
7090	Adaptor, for Ignition Union (AUC.2044)	7- 3	1	
7091	Gasket, under Adaptor (AUC.2014)	7- 4	1	
5618	Screw, securing Adaptor (AUC.2175)		2	
C.723	Washer, Shakeproof, on Screws (AUA.4643)		2	
7106	Ignition Union (AUC.4490)	7- 5	1	
8763	Suction Chamber and Piston Assembly (AUC.8063)	7- 6	1	
7093	Screw, holding Jet Needle in position (AUC.2057)		1	
8764	Damper Assembly in Suction Chamber (AUC.8115)	7- 7	1	
7095	Washer, for Damper (AUC.4900)	7- 8	1	
7871	Spring, assisting return of Piston (AUC.2107)	7- 9	1	
7872	Skid Washer, under Spring, at bottom of Piston (AUC.1048)	7-10	1	
5618	Screw, securing Suction Chamber to Carburetter Body (AUC.2175)		4	
C.18439	Jet Needle (UM)	7-11	1	
7860	Jet Assembly (AUC.8156) (comprising Jet Unit, with Diaphragm and Cup)	7-12	1	
6958	Jet Bearing (AUC.2001)	7-13	1	
6959	Nut, locking Jet Bearing (AUC.2002)	7-14	1	
8765	Spring, under Jet Diaphragm (AUD.2093)	7-15	1	
8766	Jet Housing Assembly (AUC.8655)	7-16	1	
8759	Shoe and Rod Assembly, for operation of Throttle during Cold Starting (AUC.8962)	7-17	1	
8760	Return Spring for Shoe and Rod Assembly (AUC.2020)	7-18	1	
8761	Plate, at top of Shoe and Rod Assembly (AUC.2019)	7-19	1	
7879	Screw, securing Plate (AUC.4790)		1	
C.723	Washer, Shakeproof, on Screw (AUA.4643)		1	
7048	Screw, in Plate, for operation of Choke/Throttle opening (AUC.2521)	7-20	1	
7049	Spring, on screw (AUC.2451)	7-21	1	
6993	Float Chamber Assembly (AUC.2009)	7-22	1	
7115	Bolt, securing Float Chamber to Carburetter Body (AUC.2110)		4	
C.723	Washer, Shakeproof, on Bolts		4	
7117	Lid for Float Chamber (AUC.4261)	7-23	1	
1090	Float (AUC.1123)	7-24	1	
6970	Needle and Seat, controlling Petrol Flow to Float Chamber (AUC.8170)	7-25	1	
7118	Lever, operating Float Needle (AUC.1980)	7-26	1	
1153	Pin, securing Lever to Float Chamber Lid (AUC.1152)	7-27	1	
7119	Gasket, under Float Chamber Lid (AUC.1147)	7-28	1	
5832	Cap Nut, securing Lid (AUC.1867)	7-29	1	
1298	Serrated Washer (Fibre) on Cap Nut adjacent to Lid (AUC.1928)	7-30	1	
7120	Alum Washer, on Cap Nut (AUC.1557)	7-31	1	
479	Filter, in Inlet Connection on Float Chamber Lid (AUC.2139)	7-32	1	
C.11488	Banjo Bolt, securing Feed Pipe to Float Chamber (AUC.2698)	7-33	1	
C.11489	Fibre Washer, on Banjo Bolt (AUC.2141)	7-34	2	
6967	Valve, for slow-running adjustment (AUC.2028)	7-35	1	
6966	Spring, for slow-run Valve (AUC.2027)	7-36	1	
6968	Gland Washer, for slow-run Valve (AUC.2029)	7-37	1	
6969	Dished Washer (Brass) at top of Gland Washer (AUC.2030)	7-38	1	

CARBURETTERS AND PETROL FILTER

Part No.	Description	Plate No.	No. per Unit	Remarks
C.15836	CENTRE CARBURETTER ASSEMBLY (HD.8)	7-39	1	
8767	Body only (AUC.8272)		1	
8763	Suction Chamber and Piston Assembly (AUC.8063)		1	
7093	Screw, holding Jet Needle in position (AUC.2057)		1	
8764	Damper Assembly, in Suction Chamber (AUC.8115)		1	
7095	Washer, for Damper (AUC.4900)		1	
7871	Spring, assisting return of Piston (AUC.2107)		1	
7872	Skid Washer, under Spring, at bottom of Piston (AUC.1048)		1	
5618	Screw, securing Suction Chamber to Carburetter (AUC.2175)		4	
C.18439	Jet Needle (UM)		1	
7860	Jet Assembly (AUC.8156) (comprising Jet Unit, with Diaphragm and Cup)		1	
6958	Jet Bearing (AUC.2001)		1	
6959	Nut, locking Jet Bearing (AUC.2002)		1	
8765	Spring, under Jet Diaphragm (AUD.2093)		1	
8768	Jet Housing Assembly (AUC.8654)		1	
8759	Shoe and Rod Assembly, for operation of Throttle during cold starting (AUC.8962)		1	
8760	Return Spring, for Shoe and Rod Assembly (AUC.2020)		1	
8761	Plate, at top of Shoe and Rod Assembly (AUC.2019)		1	
7879	Screw, securing Plate (AUC.4790)		1	
C.723	Washer, Shakeproof, on Screw (AUA.4643)		1	
7048	Screw, in Plate, for operation of Choke/Throttle opening (AUC.2521)		1	
7049	Spring, on Screw (AUC.2451)		1	
8756	Abutment Bracket, for Choke Control Outer Cable (AUC.1288)		1	
8757	Cable Clamp, for Abutment Bracket (AUC.2102)		1	
5803	Bolt, securing Cable Clamp (AUC.2694)		1	
AN.102/L	Nut, on Bolt		1	
5648	Washer, Spring, under Nut (AUC.2246)		1	
7114	Float Chamber Assembly (AUC.2088)		1	
7115	Bolt, securing Float Chamber to Carburetter Body (AUC.2110)		4	
C.723	Washer, Shakeproof, on Bolts		4	
7117	Lid, for Float Chamber (AUC.4261)		1	
1090	Float (AUC.1123)		1	
6970	Needle and Seat, controlling Petrol Flow to Float Chamber (AUC.8170)		1	
7118	Lever, operating Float Needle (AUC.1980)		1	
1153	Pin, securing Lever to Float Chamber Lid (AUC.1152)		1	
7119	Gasket, under Float Chamber Lid (AUC.1147)		1	
5832	Cap Nut, securing Lid (AUC.1867)		1	
1298	Serrated Washer (Fibre) on Cap Nut adjacent to Lid (AUC.1928)		1	
7120	Alum Washer, on Cap Nut (AUC.1557)		1	
479	Filter, in Inlet Connection on Float Chamber (AUC.2139)		1	
C.11488	Banjo Bolt, securing Feed Pipe to Float Chamber Lid (AUC.2698)		1	
C.11489	Fibre Washer, on Banjo Bolt (AUC.2141)		2	
6967	Valve, for slow-running adjustment (AUC.2028)		1	
6966	Spring, for slow-run Valve (AUC.2027)		1	
6968	Gland Washer, for slow-run Valve (AUC.2029)		1	
6969	Dished Washer (Brass) at top of Gland Washer (AUC.2030)		1	

CARBURETTERS AND PETROL FILTER

Part No.	Description	Plate No.	No. per Unit	Remarks
C.16650	REAR CARBURETTER ASSEMBLY (HD.8)	7-40	1	
8766	Jet Housing Assembly (AUC.8655)		1	
7116	Lid, for Float Chamber (AUC.4260)		1	
	All other items for Rear Carburetter are as for Centre Carburetter C.15836, except that Abutment Bracket (8756) and Cable Clamp (8757) are not fitted.			
8762	BODY FOR FRONT CARBURETTER (AUC.8271)	7-2	1	
8767	BODY FOR CENTRE AND REAR CARBURETTERS (AUC.8272)		2	
7862	Piston Lift Pin (AUC.2065)		3	
7863	Spring, for Lift Pin (AUC.2066)		3	
6964	Seating Washer, for Lift Pin (AUC.2098)		3	
7865	Brass Washer at top of Seating Washer (AUC.4944)		3	
7866	Circlip, securing Washers and Spring on Lift Pin (AUC.1250)		3	
8758	CHOKE CONNECTING ROD, BETWEEN REAR AND CENTRE CARBURETTERS (AUC.1427)	7-41	1	
C.10700	CHOKE CONNECTING ROD, BETWEEN CENTRE AND FRONT CARBURETTERS (AUC.2872)	7-42	1	
8755	FORK END, FOR FIXING OF CONNECTING RODS TO CARBURETTERS (AUC.2256)	7-43	3	
AN.102/L 5511	Nut, securing Fork Ends on Rods (AUC.2156)		3	
	Clevis Pin, retaining Fork Ends to Front and Rear Carburetters (AUC.2108)	7-44	2	
AW.102/T	Washer, on Clevis Pins		2	
L.102/5U	Split Pin, retaining Clevis Pins, and for retention of Connecting Rod to centre Fork End		4	

CARBURETTERS AND PETROL FILTER

Part No.	Description	Plate No.	No. per Unit	Remarks
C.18832	ADAPTOR, SECURING CHOKE CONTROL CABLE TO CENTRE CARBURETTER (AUC.5058)	7-45	1	
C.18833	Special Screw, securing Cable in Adaptor (AJD.7026)	7-46	1	
C.14371	LEVER, ON CARBURETTER SPINDLES, FOR CONNECTION OF THROTTLE RETURN SPRINGS (AUC.8405)	7-47	3	
5803	Bolt, through Levers (AUC.2694)		3	
5614	Nut, on Bolts (AUC.2156)		3	
7966	Washer, under Nuts (AUC.8396)		3	
C.14366	THROTTLE RETURN SPRING	7-48	3	
C.15963	BRACKET ASSEMBLY, UNDER FRONT AND REAR CARBURETTERS, ANCHORING RETURN SPRING	7-49	2	
C.15844	BRACKET ASSEMBLY, UNDER CENTRE CARBURETTER, ANCHORING RETURN SPRING	7-50	1	
C.17631	LEVER ASSEMBLY, ON CARBURETTER SPINDLES, FOR CONNECTION OF THROTTLE CONTROL RODS	7-51	3	

CARBURETTORS AND PETROL FILTER

Part No.	Description	Plate No.	No. per Unit	Remarks
C.17635	CONTROL ROD, LINKING CARBURETTOR LEVERS WITH SLAVE SHAFTS	7-52	3	
C.13824	Clip, securing Control Rods	7-53	6	
C.14103	LEVER, ON SLAVE SHAFTS, FOR CONNECTION OF CONTROL RODS (AUC.4054)	7-54	3	
5803	Bolt, through Levers		3	
5614	Nut, on Bolts		3	
7966	Washer, under Nuts		3	
C.14145	THROTTLE SLAVE SHAFT ASSEMBLY, FRONT	7-55	1	
C.18537	THROTTLE SLAVE SHAFT ASSEMBLY, CENTRE	7-56	1	
C.18443	Distance Piece, on Centre Slave Shaft, adjacent to Lever for Centre Carburetter	7-57	1	
4833	COUPLING, BETWEEN FRONT AND CENTRE SLAVE SHAFTS (AUC.4334)	7-58	1	
5801	Bolt, through Coupling (AUC.2669)		2	
673	Nut, on Bolts (AUC.2673)		2	
4812	Washer, under Nuts (AUC.4612)		2	
C.18905	THROTTLE SLAVE SHAFT ASSEMBLY, REAR	7-59	1	R.H. DRIVE CARS ONLY.

CARBURETTORS AND PETROL FILTER

Part No.	Description	Plate No.	No. per Unit	Remarks
C.18540	THROTTLE SLAVE SHAFT ASSEMBLY, REAR		1	L.H. DRIVE CARS ONLY.
C.17413	INSULATOR BETWEEN CARBURETTORS AND INLET MANIFOLDS	7-60	3	
C.7221	Gasket at each side of Insulators	7-61	6	
C.16873	OVERFLOW PIPE FOR FRONT CARBURETTER	7-62	1	
C.16874	OVERFLOW PIPE FOR CENTRE CARBURETTER	7-63	1	
C.16875	OVERFLOW PIPE FOR REAR CARBURETTER	7-64	1	
C.14090	Clip, on Oil Cleaner Bolt, securing Overflow Pipes	7-65	1	
C.12336	SUCTION PIPE FROM FRONT CARBURETTER TO DISTRIBUTOR VACUUM CONTROL	7-66	1	
C.15823	PETROL FEED PIPE ASSEMBLY LINKING CARBURETTORS	7-67	1	

CARBURETTORS AND PETROL FILTER

Part No.	Description	Plate No.	No. per Unit	Remarks
C.17335	PETROL PIPE ASSEMBLY, BETWEEN FEED PIPE AND FILTER	7-68	1	
C.13681	PETROL FILTER ASSEMBLY (AC.7950001)	7-69	1	
7297	Filter Casting	7-70	1	
7298	Sealing Washer between Filter Casting and Glass Bowl	7-71	1	
7299	Filter Gauze	7-72	1	
7300	Glass Bowl	7-73	1	
7301	Retaining Strap Assembly	7-74	1	
C.13705	Banjo Bolt, securing Petrol Pipes to Filter	7-75	2	
C.784	Fibre Washer, at each side of Banjos	7-76	4	
C.17354	BRACKET, ON FRONT FRAME FIXING BOLT, FOR MOUNTING OF PETROL FILTER	7-77	1	
UFS.131/6R	Screw, Set, securing Filter to Bracket		2	
UFN.131/L	Nut, on Setscrews		2	
FG.105/X	Washer, Spring, under Nuts		2	

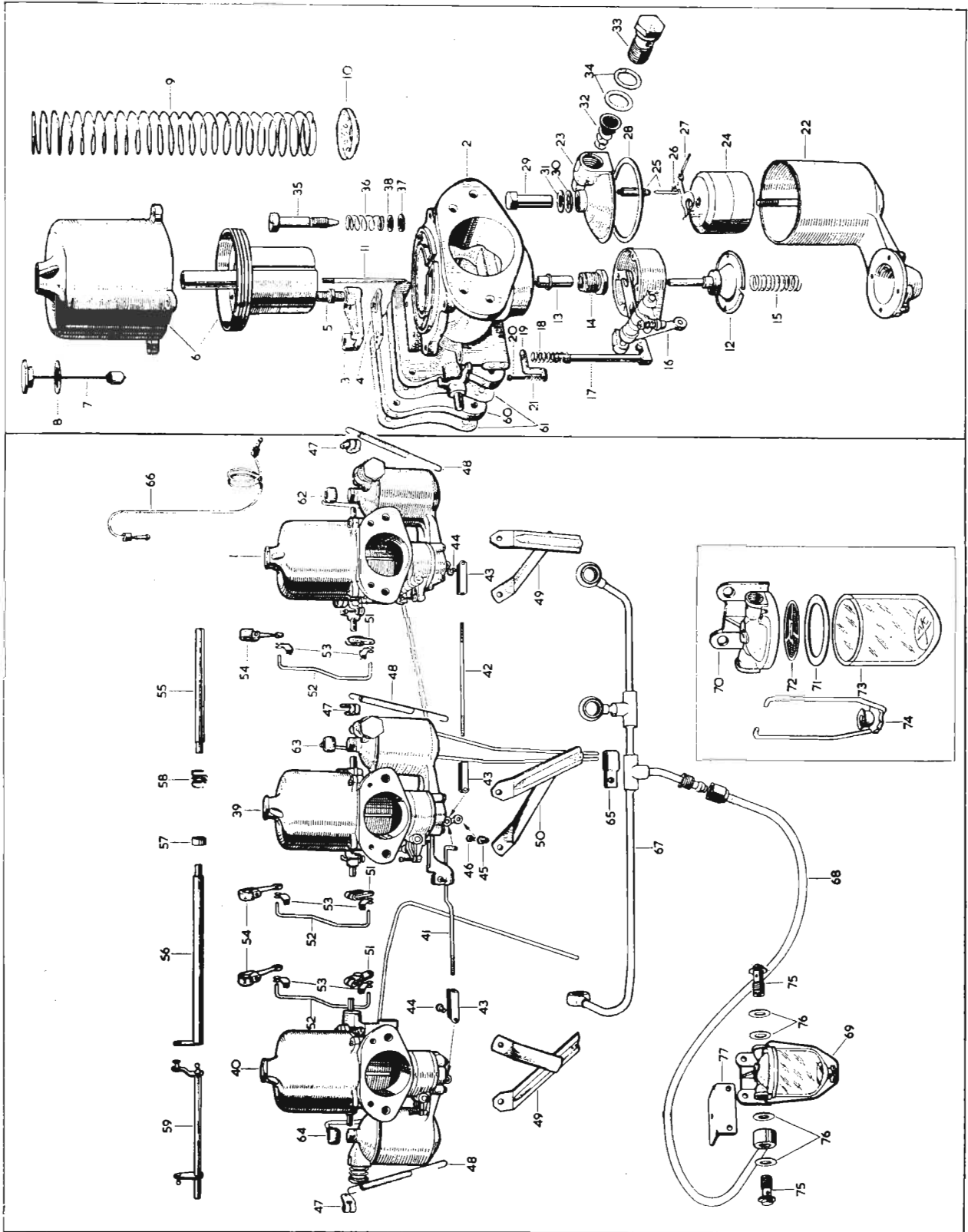


PLATE 7

AIR CLEANER INSTALLATION

Part No.	Description	Plate No	No. per Unit	Remarks
C.17545	AIR CLEANER ASSEMBLY (AC.7955780)		1	
8420	Shell Assembly , for Air Cleaner (7955783)	8- 1	1	
8419	Retaining Plate Assembly , for Element (7955782)	8- 2	1	
8417	Gasket , at top and bottom of Element (7955504)	8- 3	2	
8416	Element (A.4847)	8- 4	1	
8418	Top Plate Assembly (7955781)	8- 5	1	
C.17651	BRACKET, MOUNTING AIR CLEANER	8- 6	1	
UFS.131/4R	Screw , Set, securing Bracket to Air Cleaner		2	
C.725	Washer , Shakeproof, on Setscrews		2	
FW.105/T	Washer , Plain, under Shakeproof Washers		2	
UFS.125/4R	Screw , Set, securing Bracket to Body		2	
C.724	Washer , Shakeproof, on Setscrews		2	
FW.104/T	Washer , Plain, under Shakeproof Washers		2	
C.17652	SUPPORT BRACKET FOR AIR CLEANER	8- 7	1	
C.12705	Stud , for fixing of Support Bracket to Air Cleaner	8- 8	1	
UFN.131/L	Nut , on Stud		1	
C.725	Washer , Shakeproof, under Nut		1	
FW.105/T	Washer , Plain, under Shakeproof Washer		1	
UFS.131/3R	Screw , Set, securing Support Bracket to Body		2	
C.725	Washer , Shakeproof, on Setscrews		2	
C.17546	RUBBER GROMMET, BETWEEN AIR CLEANER AND AIR INTAKE BOX	8- 9	1	
C.17533	AIR INTAKE BOX ASSEMBLY	8-10	1	

AIR CLEANER INSTALLATION

Part No.	Description	Plate No.	No. per Unit	Remarks
C.17540	BASE ASSEMBLY FOR AIR INTAKE BOX (COMPLETE WITH TRUMPETS)	8-11	1	Fitted from Chassis No. 850001 to 850091. 875001 to 875385. 860001 to 860004. 885001 to 885020.
C.19012	BASE ASSEMBLY FOR AIR INTAKE BOX (COMPLETE WITH TRUMPETS)		1	Fitted to Chassis No. 850092 and subs. 875386 and subs. 860005 and subs. 885021 and subs.
C.17539	Gasket (Neoprene) between Base and Air Intake Box	8-12	1	
C.12734	Wing Nut , securing Air Intake Box to Base	8-13	2	
C.17544	Special Washer , under Wing Nuts	8-14	2	
C.7164	Gasket , between Base and Carburetters	8-15	3	
C.4202/2	Nut , securing Base to Carburetters		6	
FG.105/X	Washer, Spring , under Nuts		6	

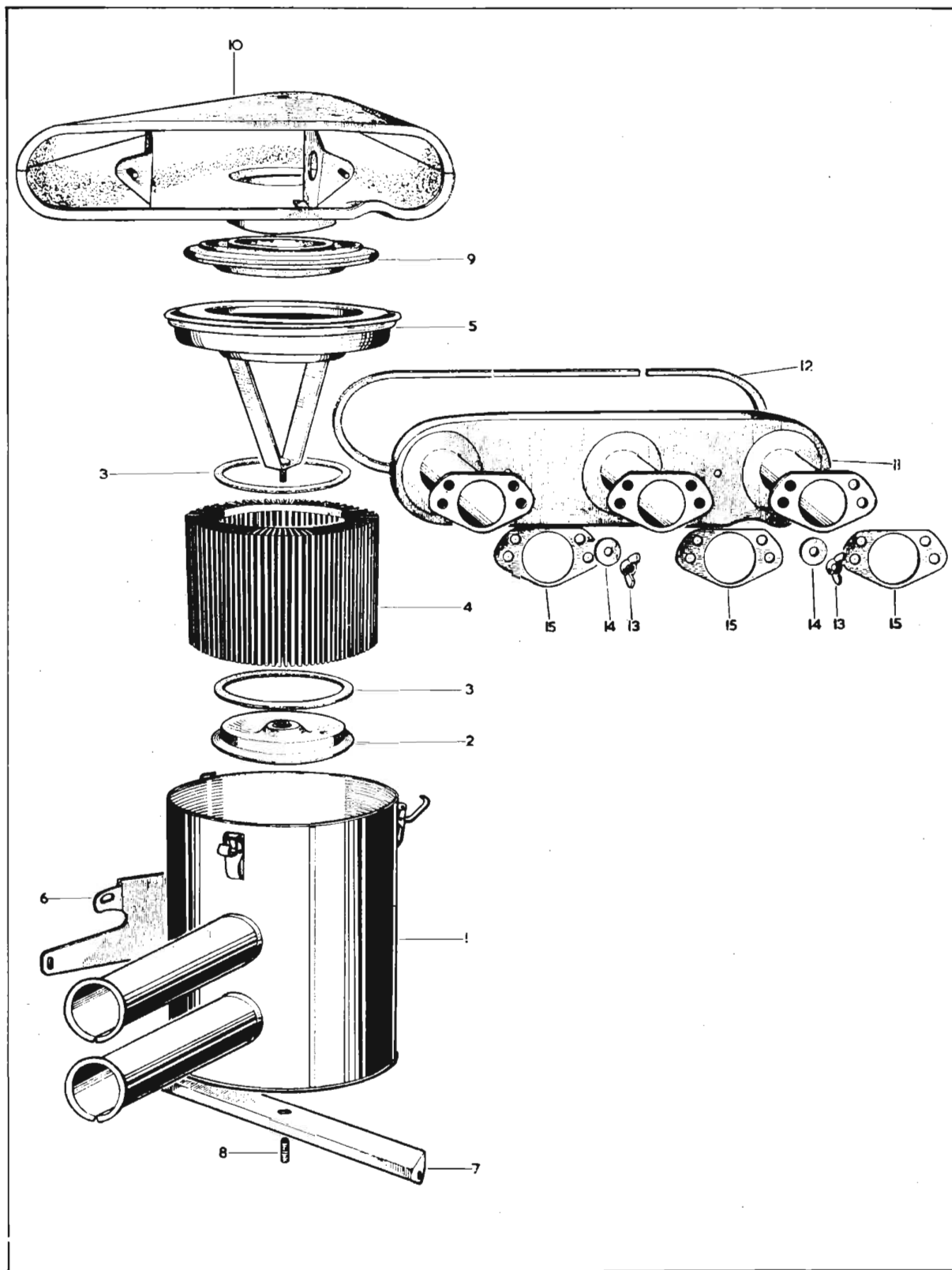


PLATE 8

ACCELERATOR CONTROLS

(R.H. DRIVE CARS ONLY)

Part No.	Description	Plate No.	No. per Unit	Remarks
C.17840	ACCELERATOR PEDAL ASSEMBLY		1	Fitted from Chassis No. 850001 to 850474. 860001 to 860374 except 860365.
C.20223	ACCELERATOR PEDAL ASSEMBLY	9- 1	1	Fitted to Chassis No. 850475 and subs. 860375 and subs., also 860365.
C.14366	Return Spring, for Accelerator Pedal	9- 2	1	
C.17844	HOUSING ASSEMBLY FOR ACCELERATOR PEDAL	9- 3	1	
C.17851	Pivot Bush, at each side of Housing		2	
C.17848	Stud, for fixing of Housing to Scuttle	9- 4	3	
C.18721	Stop Plate, on Studs, for pedal travel adjustment		1	Fitted from Chassis No. 850001 to 850474. 860001 to 860375 except 860365.
C.20639	Stop Plate, on Studs, for pedal travel adjustment	9- 5	1	Fitted to Chassis No. 850475 and subs. 860375 and subs., also 860365.
C.8667/1	Nut, Self-Locking, securing Housing to Scuttle		3	
FW.104/T	Washer, Plain, under Nuts		3	
BD.19706	Gasket, under Accelerator Pedal Housing		1	
C.18302	ACCELERATOR PEDAL LEVER ASSEMBLY	9- 6	1	
C.3767	Ball Pin, in end of Lever		1	
UFB.137/16R	Bolt, securing Pedal and Lever in Housing		1	
C.410	Special Washer, under head of Bolt		1	
C.18273	Spacing Collar, on Bolt		1	
C.989	Special Washer, on Boss of Pedal Lever		1	Fitted from Chassis No. 850001 to 850248. 860001 to 860020. Fitted to Chassis No. 850249 and subs. 860021 and subs. MAY BE USED TOGETHER TO REPLACE C.18273 AND C.989.
C.19915	Spacing Collar, on Pivot Bolt		1	
C.19914	Special Washer, on Boss of Pedal Lever		1	
C.8737/3	Nut, Self-Locking, on Bolt		1	
C.17867	CONTROL ROD, BETWEEN PEDAL LEVER AND FULCRUM LEVER	9- 7	1	
C.17858	FULCRUM LEVER ASSEMBLY	9- 8	1	
C.3767	Ball Pin, in ends of Lever		2	
C.18292	Bracket Assembly, on Brake Servo fixing Studs, for mounting of Fulcrum Lever	9- 9	1	
L.102.5/8U	Split Pin, retaining Fulcrum Lever on Bracket		1	
BD.1708/5	Washer, D.C. Spring, under Split Pin		1	
FW.104/T	Washer, Plain, under D.C. Spring Washer		1	
C.18275	Eccentric Sleeve, for Fulcrum Lever Stop Adjustment	9-10	1	
UFB.125/10R	Bolt, securing Sleeve to Fulcrum Mounting Bracket		1	
C.724	Washer, Shakeproof, on Bolt		1	
FW.104/T	Washer, Plain, under Shakeproof Washer		1	

ACCELERATOR CONTROLS

(R.H. DRIVE CARS ONLY)

Part No.	Description	Plate No.	No. per Unit	Remarks
C.17868	CONTROL ROD, BETWEEN FULCRUM LEVER AND THROTTLE REAR SLAVE SHAFT	9-11	1	
C.18905	REAR SHAFT SLAVE ASSEMBLY FOR THROTTLE OPERATION		1	Fitted from Engine No. R.1001 to R.2933.
C.3767	Ball Pin , in Lever of Rear Slave Shaft		1	
C.18938	REAR SLAVE SHAFT ASSEMBLY FOR THROTTLE OPERATION	9-12	1	Fitted to Engine No. R.2934 and subs.
C.3767	Ball Pin , in Lever of Rear Slave Shaft		1	
C.13605	BUSH ASSEMBLY, SUPPORTING END OF REAR SLAVE SHAFT	9-13	1	
C.18545	Housing Assembly , for Bush	9-14	1	
UFS.125/5R C.724	Screw , Set, securing Housing to Mounting Bracket Washer , Shakeproof, on Setscrews		2 2	
C.18548	BRACKET ASSEMBLY, MOUNTING HOUSING TO DASH	9-15	1	
UFS.125/5R C.724 FW.104/T	Screw , Set, securing Bracket to Dash Washer , Shakeproof, on Setscrews Washer , Plain, under Shakeproof Washers		2 2 2	
C.18537	CENTRE SLAVE SHAFT ASSEMBLY FOR THROTTLE OPERATION		1	} Fitted from Engine No. R.1001 to R.2933.
C.18443	Distance Piece , on Centre Slave Shaft, adjacent to boss on Air Balance Pipe		1	
C.14145	FRONT SLAVE SHAFT ASSEMBLY FOR THROTTLE OPERATION		1	Fitted from Engine No. R.1001 to R.2933.
C.18935	FRONT SLAVE SHAFT ASSEMBLY FOR THROTTLE OPERATION	9-16	1	Fitted to Engine No. R.2934 and subs.

ACCELERATOR CONTROLS

(R.H. DRIVE CARS ONLY)

Part No.	Description	Plate No.	No. per Unit	Remarks
C.18941	ADAPTOR, IN FRONT BOSS ON AIR BALANCE PIPE, SUPPORTING FRONT SLAVE SHAFT	9-17	1	} Fitted to Engine No. R.2934 and subs.
C.18942	ADAPTOR, IN REAR BOSS ON AIR BALANCE PIPE, SUPPORTING FRONT AND REAR SLAVE SHAFTS	9-18	1	
C.18943	Tab Washer, securing Adaptors	9-19	2	
4833	FLEXIBLE COUPLING LINKING FRONT AND CENTRE SLAVE SHAFTS (AUC.4334)		1	} Fitted from Engine No. R.1001 to R.2933.
5803	Bolt, through Coupling		2	
5614	Nut, on Bolts		2	
7966	Washer, Spring, under Nuts		2	
C.14103	LEVER, ON FRONT AND CENTRE SLAVE SHAFTS, FOR CONNECTION OF CONTROL RODS TO CARBURETTERS (AUC.4054)		3	} Fitted from Engine No. R.1001 to R.2933.
5803	Bolt, securing Levers to Slave Shafts		3	
5614	Nut, on Bolts		3	
7966	Washer, Spring, under Nuts		3	
C.17635	CONTROL ROD, LINKING LEVERS ON SLAVE SHAFTS WITH CARBURETTERS		3	Fitted from Engine No. R.1001 to R.2933.
C.14104	CONTROL ROD, LINKING LEVERS ON SLAVE SHAFTS WITH CARBURETTERS	9-20	3	Fitted to Engine No. R.2934 and subs.
C.13824	Clip, securing Control Rods	9-21	6	

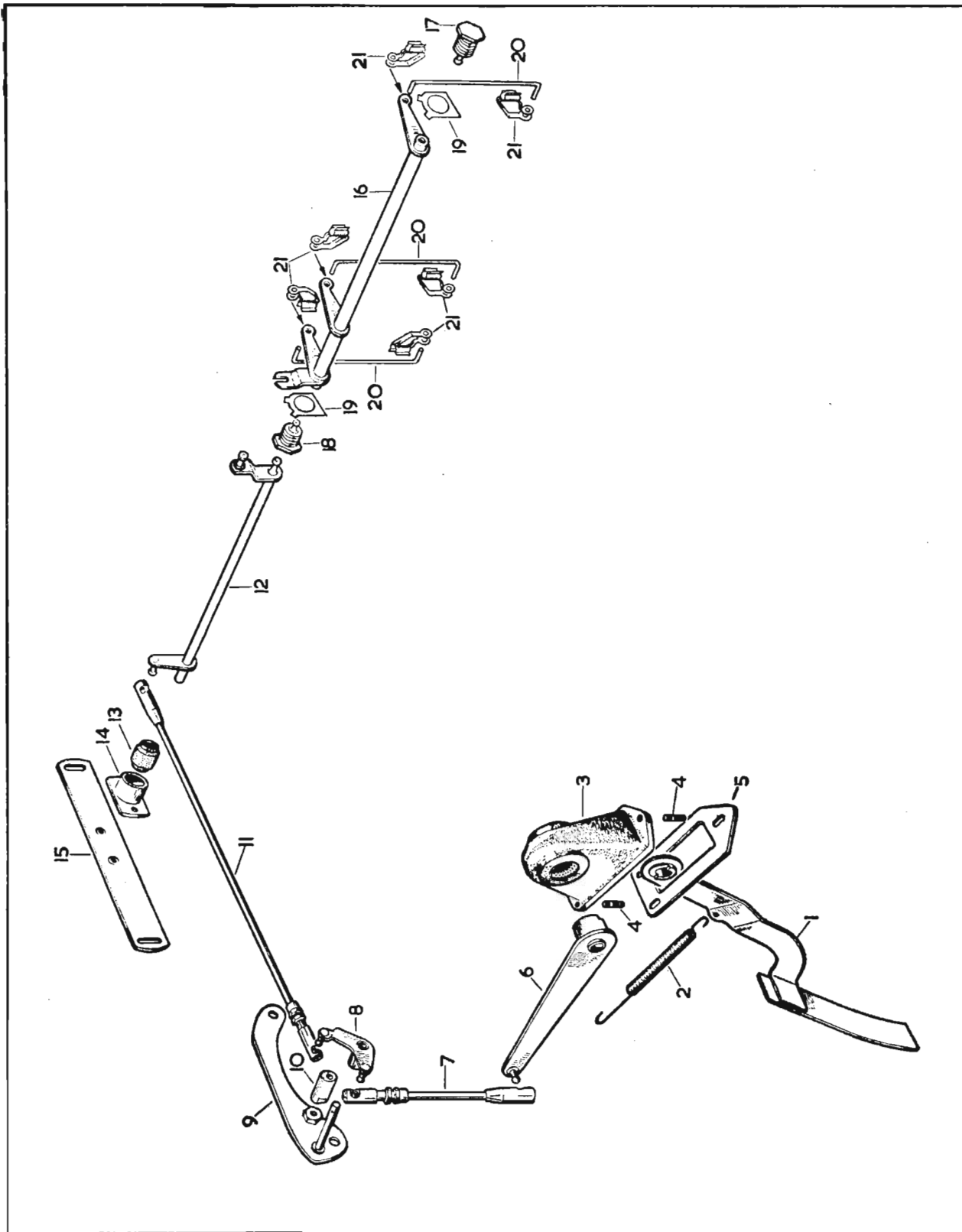


PLATE 9

ACCELERATOR CONTROLS

(L.H. DRIVE CARS ONLY)

Part No.	Description	Plate No.	No. per Unit	Remarks
C.18467	ACCELERATOR PEDAL ASSEMBLY	10- 1	1	
UFS.125/4R C.724	Screw, Set, securing Accelerator Pedal to Floor Washer, Shakeproof, on Setscrews		2 2	
C.18478	LINK ASSEMBLY, BETWEEN PEDAL AND ACCELERATOR DROP ARM	10- 2	1	
C.18482 C.8667/17	Retainer, for Link Nut, Self-Locking, securing Retainer to Link	10- 3	1 1	
C.18476	ACCELERATOR DROP ARM ASSEMBLY	10- 4	1	
C.14366	Return Spring, for Drop Arm	10- 5	1	
C.17845	HOUSING ASSEMBLY FOR DROP ARM	10- 6	1	
C.17851	Pivot Bush, at each side of Housing		2	
C.17848	Stud, for fixing of Housing to Scuttle	10- 7	4	
C.8667/1 FW.104/T BD.19708	Nut, Self-Locking, securing Housing to Scuttle Washer, Plain, under Nuts Gasket, under Accelerator Pedal Housing		4 4 1	
C.18270	CONNECTING LEVER BETWEEN DROP ARM AND CONTROL ROD	10- 8	1	
C.3767	Ball Pin, in Connecting Lever		1	
UFB.137/16R	Bolt, securing Drop Arm and Connecting Lever in Housing		1	
C.410	Special Washer, under head of Bolt		1	} Fitted from Chassis No. 875001 to 875910. 885001 to 885124. } Fitted to Chassis No. 875911 and subs. 885125 and subs. MAY BE USED TOGETHER TO REPLACE C.18273 AND C.989.
C.18273	Spacing Collar, on Bolt		1	
C.989	Special Washer, on Boss of Connecting Lever		1	
C.19915	Spacing Washer, on Bolt		1	
C.19914	Special Washer, on Boss of Connecting Lever		1	
C.8737/3	Nut, Self-Locking, on Bolt		1	
C.19053	CONTROL ROD BETWEEN CONNECTING LEVER AND FULCRUM LEVER	10- 9	1	

ACCELERATOR CONTROLS

(L.H. DRIVE CARS ONLY)

Part No.	Description	Plate No.	No. per Unit	Remarks
C.17859	FULCRUM LEVER ASSEMBLY	10-10	1	
C.3767	Ball Pin, in ends of Fulcrum Lever		2	
C.18276	Pivot Pin, for Fulcrum Lever	10-11	1	
C.18275	Eccentric Sleeve, for Fulcrum Lever stop adjustment	10-12	2	
UFB.125/11R	Bolt, securing Eccentric Sleeves to Dash		2	
C.18274	Stiffening Plate, on Pivot Pin and Setscrews	10-13	1	
C.18483	Tab Washer, locking Pivot Pin and Setscrews	10-14	1	
C.17870	CONTROL ROD BETWEEN FULCRUM LEVER AND THROTTLE REAR SLAVE SHAFT	10-15	1	
C.18540	REAR SLAVE SHAFT ASSEMBLY FOR THROTTLE OPERATION		1	Fitted from Engine No. R.1001 to R.2933.
C.3767	Ball Pin, in Lever of Rear Slave Shaft		1	
C.18937	REAR SLAVE SHAFT ASSEMBLY FOR THROTTLE OPERATION	10-16	1	Fitted to Engine No. R.2934 and subs.
C.3767	Ball Pin, in Lever of Rear Slave Shaft		1	
C.13605	BUSH ASSEMBLY SUPPORTING END OF REAR SLAVE SHAFT	10-17	1	
C.18545	Housing Assembly, for Bush	10-18	1	
UFS.125/5R	Screw, Set, securing Housing to Mounting Bracket		2	
C.724	Washer, Shakeproof, on Setscrews		2	
C.18548	BRACKET ASSEMBLY, MOUNTING HOUSING TO DASH	10-19	1	
UFS.125/5R	Screw, Set, securing Bracket to Dash		2	
C.724	Washer, Shakeproof, on Setscrews		2	
FW.104/T	Washer, Plain, under Shakeproof Washers		2	
C.18537	CENTRE SLAVE SHAFT ASSEMBLY FOR THROTTLE OPERATION		1	} Fitted from Engine No. R.1001 to R.2933.
C.18443	Distance Piece, on Centre Slave Shaft, adjacent to boss on Air Balance Pipe		1	

ACCELERATOR CONTROLS

(L.H. DRIVE CARS ONLY)

Part No.	Description	Plate No.	No. per Unit	Remarks
C.14145	FRONT SLAVE SHAFT ASSEMBLY FOR THROTTLE OPERATION		1	Fitted from Engine No. R.1001 to R.2933.
C.18935	FRONT SLAVE SHAFT ASSEMBLY FOR THROTTLE OPERATION	10-20	1	Fitted to Engine No. R.2934 and subs.
C.18941	ADAPTOR, IN FRONT BOSS ON AIR BALANCE PIPE, SUPPORTING FRONT SLAVE SHAFTS	10-21	1	} Fitted to Engine No. R.2934 and subs.
C.18942	ADAPTOR, IN REAR BOSS ON AIR BALANCE PIPE, SUPPORTING FRONT AND REAR SLAVE SHAFTS	10-22	1	
C.18943	Tab Washer, securing Adaptors	10-23	2	
4833	FLEXIBLE COUPLING LINKING FRONT AND CENTRE SLAVE SHAFTS (AUC.4334)		1	} Fitted from Engine No. R.1001 to R.2933.
5803	Bolt, through Coupling		2	
5614	Nut, on Bolts		2	
7966	Washer, Spring, under Nuts		2	
C.14103	LEVER, ON FRONT AND CENTRE SLAVE SHAFTS FOR CONNECTION OF CONTROL RODS TO CARBURETTERS (AUC.4054)		3	} Fitted from Engine No. R.1001 to R.2933.
5803	Bolt, securing Levers to Slave Shafts		3	
5614	Nut, on Bolts		3	
7966	Washer, Spring, under Nuts		3	
C.17635	CONTROL ROD, LINKING LEVERS ON SLAVE SHAFTS WITH CARBURETTERS		3	Fitted from Engine No. R.1001 to R.2933.
C.14104	CONTROL ROD, LINKING LEVERS ON SLAVE SHAFTS WITH CARBURETTERS	10-24	3	Fitted to Engine No. R.2934 and subs.
C.13824	Clip, securing Control Rods	10-25	6	

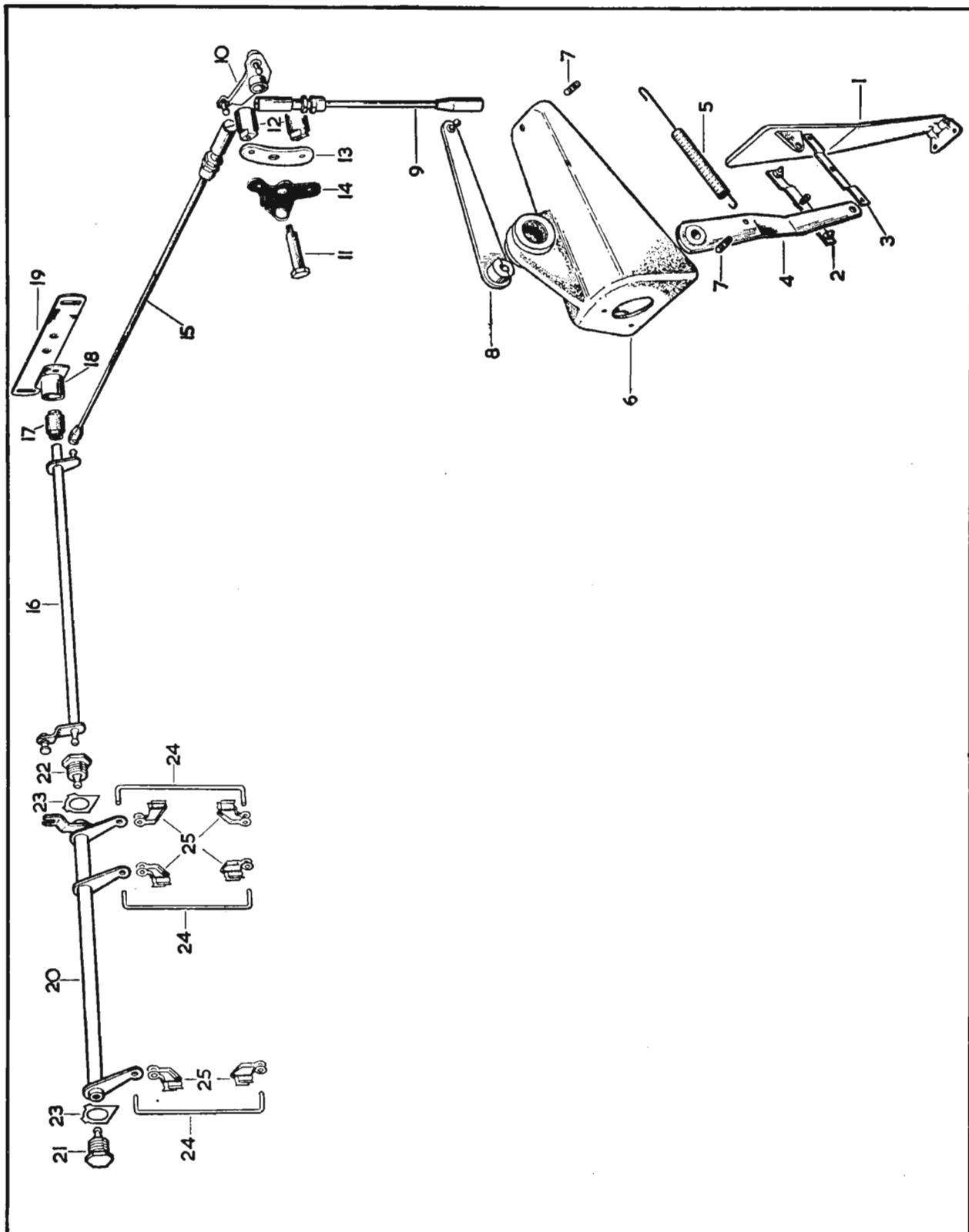


PLATE 10

FUEL SYSTEM

Part No.	Description	Plate No.	No. per Unit	Remarks
C.15076	PETROL TANK ASSEMBLY		1	} Fitted from Chassis No. 850001 to 850091. 875001 to 875385. 860001 to 860004. 885001 to 885020.
C.19107	Sump Assembly, at bottom of Petrol Tank		1	
C.1617	Washer, on Sump		1	
C.19117	Petrol Filter and Drain Plug Assembly, at bottom of Sump		1	
C.19108 C.1617	'O' Ring, for top of Petrol Filter Washer, on Petrol Filter		1 1	
C.19801	PETROL TANK ASSEMBLY	34- 1	1	} Fitted to Chassis No. 850092 and subs. 875386 and subs. 860005 and subs. 885021 and subs.
C.19302	Sump Assembly, at bottom of Petrol Tank	34- 2	1	
C.1617	Washer, on Sump	34- 3	1	
C.19298	Screwed Ring, for Sump	34- 4	1	
C.15150 C.2905/1	Ventilation Hose, from Tank to Petrol Filler Box Clip, securing Hose	34- 5 34- 6	1 2	
C.18906	Rubber Pad, under Petrol Tank		1	
C.9024	FILLER CAP FOR PETROL TANK	34- 7	1	
C.18936	HOSE, CONNECTING TANK TO PETROL FILLER BOX	34- 8	1	
C.2905/7	Clip, securing Hose	34- 9	2	
C.16077	PETROL TANK ELEMENT UNIT (TF.1104/051)		1	For Spares Replacements use C.20429.
C.20429	PETROL TANK ELEMENT UNIT (TF.1104/049)	34-10	1	
C.937 UFS.313/3H C.2296/9	Gasket, under Element Unit Screw, Set, securing Element Unit Copper Washer, on Setscrews	34-11	1 6 12	
C.17468	PETROL PUMP ASSEMBLY (LUCAS 78388/A-2.FP)		1	} Fitted from Chassis No. 850001 to 850091. 875001 to 875385. 860001 to 860004. 885001 to 885020.
C.17570 8811	Outlet Union, for Petrol Pump (771390) Washer (Fibre) on Outlet Union (54140054)		1 1	
UFB.125/8R C.8667/1 FW.104/T	Bolt, securing Petrol Pump to Mounting Bracket Nut, Self-Locking, on Bolts Washer, Plain, under Nuts		2 2 2	
C.19919	PETROL PUMP ASSEMBLY (78387/D-2.FP)	34-12	1	
C.18952 C.18953 8667/1	Special Washer, for Pump Mounting Special Washer, for Pump Mounting Self-Locking Nut, securing Pump	34-13 34-14	2 2 2	
C.19271	FILTER ASSEMBLY FOR FEED PIPE ON PETROL PUMP	34-15	1	} Fitted to Chassis No. 850092 and subs. 875386 and subs. 860005 and subs. 885021 and subs.
C.11576 C.11575	Union Nut, securing Filter to Feed Pipe Olive, on Feed Pipe, for Union Nut	34-16 34-17	1 1	
C.17499	BRACKET ASSEMBLY, FOR MOUNTING OF PETROL PUMP		1	

FUEL SYSTEM

Part No.	Description	Plate No.	No. per Unit	Remarks
C.18907	PLATE ASSEMBLY, FOR MOUNTING OF PETROL PUMP	34-18	1	Fitted to Chassis No. 850092 and subs. 875386 and subs. 860005 and subs. 885021 and subs.
C.17504 UFS.119/4R AVV.102/E	Gasket , under Bracket (or Plate) Screw , Set, securing Bracket to Petrol Tank Copper Washer , on Setscrews	34-19	1 8 8	
C.19262	PETROL PIPE ASSEMBLY BETWEEN FILTER AND PUMP		1	Fitted from Chassis No. 850001 to 850091. 875001 to 875385. 860001 to 860004. 885001 to 885020.
8812	Banjo Bolt , securing Petrol Pipe to inlet side of Pump (54710343)		1	
8813	Washer , at each side of Banjo (54148514)		2	
C.19264	PETROL PIPE ASSEMBLY BETWEEN FILTER AND PUMP	34-20	1	Fitted to Chassis No. 850092 and subs. 875386 and subs. 860005 and subs. 885021 and subs.
C.19259 C.11489	Banjo Bolt , securing Petrol Pipe to inlet side of Pump Washer , at each side of Banjo	34-21 34-22	1 2	
NOTE:—WHEN SERVICING THE PETROL PUMP, THE BATTERY SHOULD BE DISCONNECTED AS A PRECAUTION AGAINST FIRE.				
BD.16008	BRACKET ASSEMBLY, FOR FORWARD MOUNTING OF PETROL TANK	34-23	1	
UFN.131/L C.725	Nut , securing Bracket to Boot Floor Washer , Shakeproof, under Nuts		4 4	
C.19846 C.6390 C.11920 FG.106/X C.410	Rubber Pad , at Petrol Tank Mountings Distance Tube , through Rubber Pads Bolt , securing Petrol Tank Washer , Spring, on Bolts Washer , Special, under Spring Washers	34-24 34-25	6 3 3 3 3	
C.19095	PETROL PIPE BETWEEN OUTLET UNION ON PUMP AND CONNECTOR ON PUMP MOUNTING BRACKET		1	Fitted from Chassis No. 850001 to 850091. 875001 to 875385. 860001 to 860004. 885001 to 885020.
C.16267	Nipple , for connection of Pipe to Union on Mounting Bracket		1	
C.16266	Nut , securing Nipple to Union		1	
C.20834	PETROL PIPE ASSEMBLY FROM PUMP TO CONNECTOR ON PUMP MOUNTING PLATE	34-26	1	Fitted to Chassis No. 850092 and subs. 875386 and subs. 860005 and subs. 885021 and subs.
C.11488 C.11489	Bolt , securing Banjo Fibre Washer , on Banjo Bolt	34-28 34-29	1 2	
C.17506	PETROL PIPE ASSEMBLY BETWEEN PUMP MOUNTING BRACKET AND BULKHEAD CONNECTOR	34-27	1	
C.11488 C.11489	Banjo Bolt , securing Pipe to Pump Bracket and Connector Fibre Washer , at each side of Banjos	34-28 34-29	2 4	

FUEL SYSTEM

Part No.	Description	Plate No.	No. per Unit	Remarks
C.17630	BULKHEAD CONNECTOR AT R.H. FRONT CORNER OF BOOT FLOOR	34-30	1	
C.18254	Mounting Plate , for Bulkhead Connector	34-31	1	
C.10267	Nut , securing Connector to Mounting Plate	34-32	1	
C.3729	Brass Washer , under Nut	34-33	1	
UFS.125/4R	Screw , Set, securing Mounting Plate to Boot Floor		2	
C.724	Washer , Shakeproof, on Setscrews		2	
C.17222	PETROL PIPE ASSEMBLY BETWEEN CONNECTOR AND PETROL FILTER	34-34	1	
C.3727	Clip , securing Petrol Pipe to Wheel Arch	34-35	2	
C.10268	Clip , securing Petrol Pipe to Underframe	34-36	4	
C.1040/9	Clip , securing Petrol Pipe to Underframe	34-37	1	
C.1040/12	Clip , securing Petrol Pipe at Reservac Tank Mounting	34-38	1	
C.13681	PETROL FILTER ASSEMBLY (AC.7950001)	34-39	1	
7297	Filter Casting	34-40	1	
7298	Sealing Washer , between Filter Casting and Glass Bowl	34-41	1	
7299	Filter Gauze	34-42	1	
7300	Glass Bowl	34-43	1	
7301	Retaining Strap Assembly	34-44	1	
C.13705	Banjo Bolt , securing Petrol Pipes to Filter	34-45	2	
C.784	Fibre Washer , at each side of Banjos	34-46	4	
C.17354	BRACKET ON FRONT FRAME FIXING BOLT, FOR MOUNTING OF PETROL FILTER		1	Fitted from Chassis No. 850001 to 850091. 875001 to 875385. 860001 to 860004. 885001 to 885020.
C.18964	BRACKET ON FRONT FRAME FIXING BOLT, FOR MOUNTING OF PETROL FILTER	34-47	1	Fitted to Chassis No. 850092 and subs. 875386 and subs. 860005 and subs. 885021 and subs.
UFS.131/6R	Screw , Set, securing Filter to Bracket		2	
UFN.131/L	Nut , on Setscrews		2	
FG.105/X	Washer , Spring, under Nuts		2	
C.17335	PETROL PIPE ASSEMBLY FROM FILTER TO CARBURETTER FEED PIPE	34-48	1	
C.11576	Union Nut , securing Feed Pipe to Pipe from Filter		1	
C.11575	Olive , on Carburetter Feed Pipe		1	
C.15823	FEED PIPE ASSEMBLY, LINKING CARBURETTERS	34-49	1	
C.11488	Banjo Bolt , securing Feed Pipe to Float Chambers	34-50	3	
C.11489	Fibre Washer , at each side of Banjos	34-51	6	

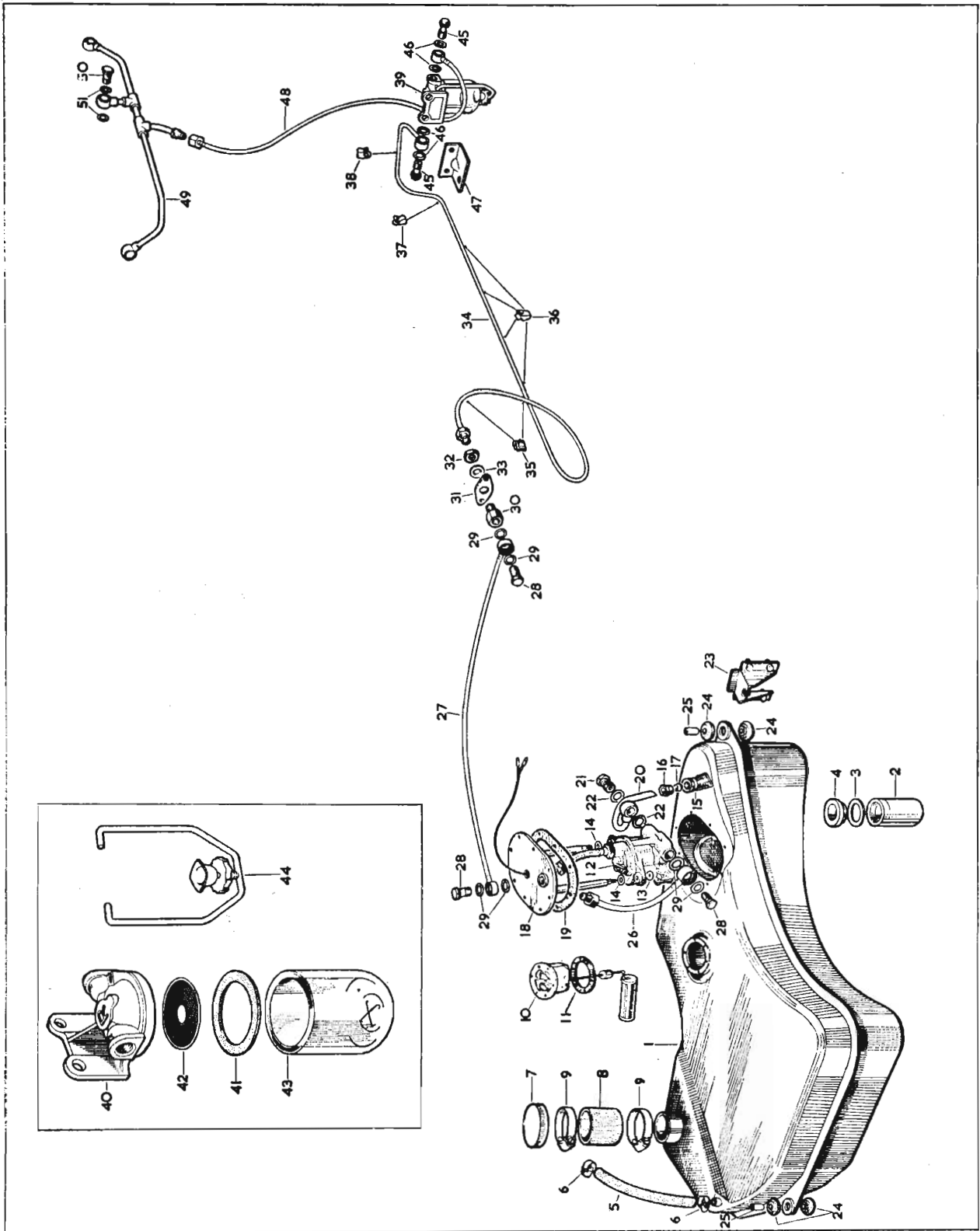


PLATE 34

EXHAUST SYSTEM

Part No.	Description	Plate No.	No. per Unit	Remarks
C.18426	FRONT DOWN PIPE ASSEMBLY, FROM MANIFOLD TO SILENCER	33- 1	1	
C.1759	Flexible Pipe, on Down Pipe (12" long)		1	
C.18401	Flange		1	
C.18427	REAR DOWN PIPE ASSEMBLY, FROM MANIFOLD TO SILENCER	33- 2	1	
C.1759	Flexible Pipe, on Down Pipe (12" long)		1	
C.18401	Flange		1	
C.18405/1	Gasket, between Down Pipe and Exhaust Manifold	33- 3	2	
C.17916	Nut, securing Down Pipe to Exhaust Manifold		8	
FG.106/X	Washer, Spring, under Nuts		8	
C.13063	CLIP, SECURING DOWN PIPES TO SILENCERS	33- 4	2	
UFB.131/22R	Bolt, through Clips		2	
UFN.131/L	Nut, on Bolts		2	
FW.105/T	Washer, Plain, under Nuts		2	
C.17123	TWIN SILENCERS ASSEMBLY	33- 5	1	
C.17124	Silencer only	33- 6	2	
C.17127	Mounting Strap, for Silencers	33- 7	2	
C.18986	Stiffener, for Silencers	33- 8	1	
1363	RUBBER MOUNTING FOR SUSPENSION OF SILENCERS TO BODY	33- 9	4	
UFN.131/L	Nut, securing Rubber Mountings to Body		4	
C.725	Washer, Shakeproof, under Nuts		4	
UFS.131/7R	Screw, Set, securing Silencers to Rubber Mountings		4	
C.12027	Spacer, between Silencers and Rubber Mountings		4	
C.8667/2	Nut, Self-Locking, on Setscrews		4	
FW.105/T	Washer, Plain, under Nuts		4	
C.18432	EXHAUST TAIL PIPE ASSEMBLY	33-10	1	
C.18433	Tail Pipe only	33-11	2	} Fitted from Chassis No. 850001 to 850178. 875001 to 875607. 860001 to 860011. 885001 to 885058.
C.17131	Strap, linking Tail Pipes at front	33-12	1	
C.18434	Muffler Box Assembly	33-13	2	
C.18436	Mounting Bracket, between Muffler Boxes	33-14	1	

EXHAUST SYSTEM

Part No.	Description	Plate No.	No. per Unit	Remarks
C.18660	EXHAUST TAIL PIPE ASSEMBLY, R.H.	33-15	1	} Fitted to Chassis No. 850179 and subs. 875608 and subs. 860012 and subs. 885059 and subs.
C.18661	EXHAUST TAIL PIPE ASSEMBLY, L.H.	33-16	1	
UFS.125/5R C.8667/1	Setscrew , securing Tail Pipe to Tail Pipe Nut , Self-Locking, on Setscrews		2 2	
C.18655	MUFFLER ASSEMBLY, R.H.	33-17	1	} Fitted to Chassis No. 850179 and subs. 875608 and subs. 860012 and subs. 885059 and subs.
C.18656	MUFFLER ASSEMBLY, L.H.	33-18	1	
C.18975	Tie Plate , between Mufflers	33-19	2	
UFS.125/5R	Setscrew , securing Tie Plate to Mufflers		2	
C.8667/1	Nut , Self-Locking, on Setscrews		1	
C.18196	CLIP, SECURING TAIL PIPES TO SILENCERS	33-20	2	
UFB.131/22R UFN.131/L FW.105/T	Bolt , through Clips Nut , on Bolts Washer , Plain, under Nuts		2 2 2	
1363	RUBBER MOUNTING FOR SUSPENSION OF TAIL PIPES TO BODY	33-21	1	
UFS.131/6R UFN.131/L C.725	Screw , Set, securing Mounting to Tail Pipes Nut , on Setscrews Washer , Shakeproof, under Nut		1 1 1	
C.17462	BRACKET FOR FIXING OF RUBBER MOUNTING TO BODY	33-22	1	
C.8667/2	Nut , Self-Locking, securing Bracket to Boot Floor		2	
UFS.131/5R UFN.131/L C.725	Screw , Set, securing Rubber Mounting to Bracket Nut , on Setscrews Washer , Shakeproof, under Nuts		2 2 2	
C.19018	Hooked Safety Bracket , on Setscrews		1	

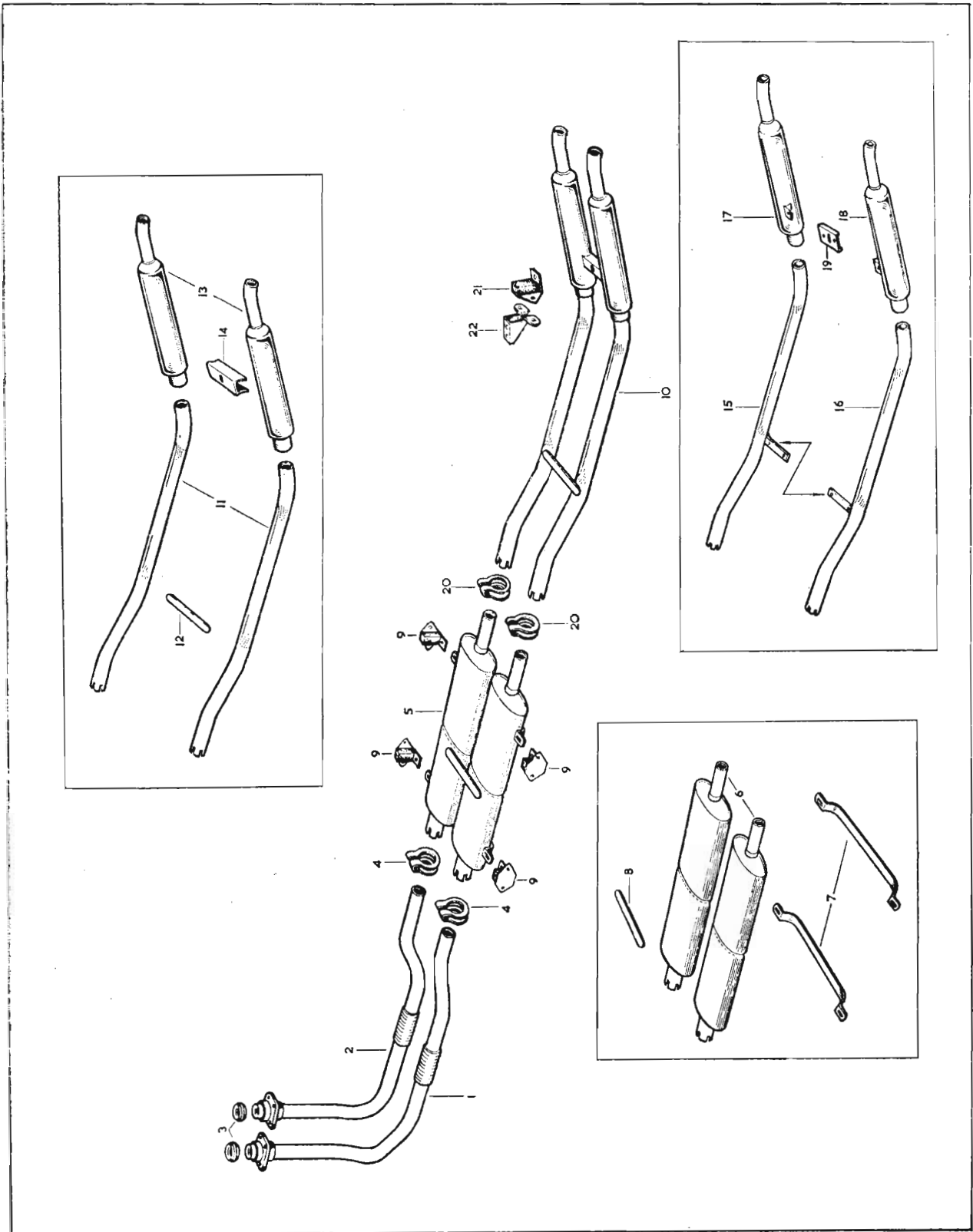


PLATE 33

COOLING SYSTEM

Part No.	Description	Plate No.	No. per Unit	Remarks
C.16770	RADIATOR BLOCK ASSEMBLY	32- 1	1	
C.8975	Rubber Mounting Pad , for Radiator Block	32- 2	4	
C.18283	Distance Collar , through Pads	32- 3	2	
C.8737/3	Nut , securing Radiator Block to Front Sub-Frame		2	
BD.541/2	Washer , Plain, under Nuts		2	
C.16764	Tie Bar , R.H., between Radiator Block and Header Tank Support Bracket	32- 4	1	
C.16765	Tie Bar , L.H., between Radiator Block and Header Tank Support Bracket	32- 5	1	
C.16766	Distance Piece , under forward end of Tie Bars	32- 6	2	
C.8737/2	Nut , Self-Locking, securing Tie Bars to Radiator Block		2	
C.2354	DRAIN TAP FOR RADIATOR BLOCK	32- 7	1	
C.316	Fibre Washer , on Drain Tap	32- 8	As req'd	
C.16998	RADIATOR HEADER TANK ASSEMBLY	32- 9	1	} Fitted from Chassis No. 850001 to 850656. 875001 to 879043. 860001 to 861090. 885001 to 888240.
C.18460	Filler Cap (4 lbs. pressure)	32-10	1	
C.21512	RADIATOR HEADER TANK ASSEMBLY		1	} Fitted to Chassis No. 850657 and subs. 879044 and subs. 861091 and subs. 888241 and subs.
C.18485	Filler Cap (9 lbs. pressure)		1	
BD.4052/1	Rubber Overflow Pipe , for Header Tank	32-11	1	
C.16768	BRACKET ASSEMBLY SUPPORTING HEADER TANK	32-12	1	
C.8975	Rubber Mounting Pad , for Support Bracket	32-13	4	
C.8976	Distance Collar , through Pads	32-14	2	
UFB.137/10R	Bolt , securing Support Bracket to Cross Member		2	
BD.541/2	Washer , Plain, on Bolts		2	
UFS.131/5R	Screw , Set, securing Header Tank to Support Bracket and securing Radiator Tie Bars		2	
UFS.131/6R	Screw , Set, securing Header Tank to Support Bracket and securing Radiator Tie Bars		1	
C.8667/2	Nut , Self-locking, on Setscrews		3	

COOLING SYSTEM

Part No.	Description	Plate No.	No. per Unit	Remarks
C.18559	THERMOSTAT, IN HEADER TANK, CONTROLLING ELECTRIC COOLING FAN	32-15	1	
C.2475	Gasket , under Thermostat	32-16	1	
UFS.419/4H	Screw, Set , securing Thermostat		3	
AW102/E	Washer , on Setscrews		3	
C.16687	COOLING FAN ASSEMBLY	32-17	1	
C.8667/1	Nut , Self-Locking, securing Fan to Motor		1	
FW.104/T	Washer , Plain, under Nut		1	
C.16452	ELECTRIC MOTOR, DRIVING FAN (LUCAS 78378/B)	32-18	1	
C.18110	Grommet , in Mounting Bracket	32-19	4	
C.18123	Washer , under Grommets	32-20	4	
C.8667/17	Nut , Self-Locking, securing Electric Motor to Mounting Bracket on Cross Member		4	
C.18111	Washer , Plain, under Nuts		4	
C.18109	COWL, SURROUNDING COOLING FAN	32-21	1	
C.18107/1	Sealing Strip (Polyurethane) at top and bottom of Cowl	32-22	2	
C.18106	Sealing Strip (Polyurethane) at L.H. Side of Cowl	32-23	1	
C.18108	Sealing Strip (Polyurethane) at R.H. Side of Cowl	32-24	1	
UFB.125/8R	Bolt , securing Cowl to Radiator Tie Bars		2	
C.15712	Distance Piece , between Cowl and Tie Bars		2	
C.8667/1	Nut , Self-Locking, on Bolts		2	
FW.104/T	Washer , Plain, under Nuts		2	
C.18105	Bracket , under Radiator Block, for mounting of Cowl and Duct Shield		2	
UFS.125/6R	Screw, Set , securing Cowl to Bracket		2	
BD.541/9	Distance Washer , on Setscrews		2	
C.8667/1	Nut , Self-Locking, on Setscrews		2	
FW.104/T	Washer , Plain, under Nuts		2	
C.18282	DUCT SHIELD, BETWEEN LOWER EDGE OF RADIATOR AND SUB-FRAME CROSS TUBE	32-25	1	
C.1040/20	Clip , for fixing of Duct Shield to Sub-Frame		3	
UFS.125/4R	Screw, Set , securing Duct Shield		5	
C.8737/1	Nut , Self-Locking, on Setscrews		5	
FW.104/T	Washer , Plain, at Clip fixing		3	

COOLING SYSTEM

Part No.	Description	Plate No.	No. per Unit	Remarks
C.16767	ELBOW HOSE, CONNECTING RADIATOR TO HEADER TANK	32-26	1	
C.2905/4	Clip, securing Hose	32-27	2	
C.12424	HOSE, CONNECTING HEADER TANK TO OUTLET ELBOW ON ENGINE	32-28	1	MUST NOT BE USED IF 9 LBS. PRESSURE CAP IS FITTED TO HEADER TANK.
C.21489	HOSE, CONNECTING HEADER TANK TO OUTLET ELBOW ON ENGINE		1	Fitted to Chassis No. 850657 and subs. 879044 and subs. 861091 and subs. 888241 and subs.
C.2905/4	Clip, securing Hose	32-29	2	
C.7548	BY-PASS HOSE	32-30	1	
C.2905/4	Clip, securing By-Pass Hose	32-31	2	
C.12630	ELBOW HOSE, CONNECTING WATER PUMP TO PIPE	32-32	1	
C.2905/5	Clip, securing Hose to Pipe	32-33	1	
C.2905/4	Clip, securing Hose to Water Pump		1	
C.16999	PIPE, CONNECTING HOSES	32-34	1	
C.15099	HOSE, CONNECTING PIPE TO BOTTOM OF RADIATOR	32-35	1	
C.2905/5	Clip, securing Hose to Pipe	32-36	1	
C.2905/4	Clip, securing Hose to Radiator	32-37	1	

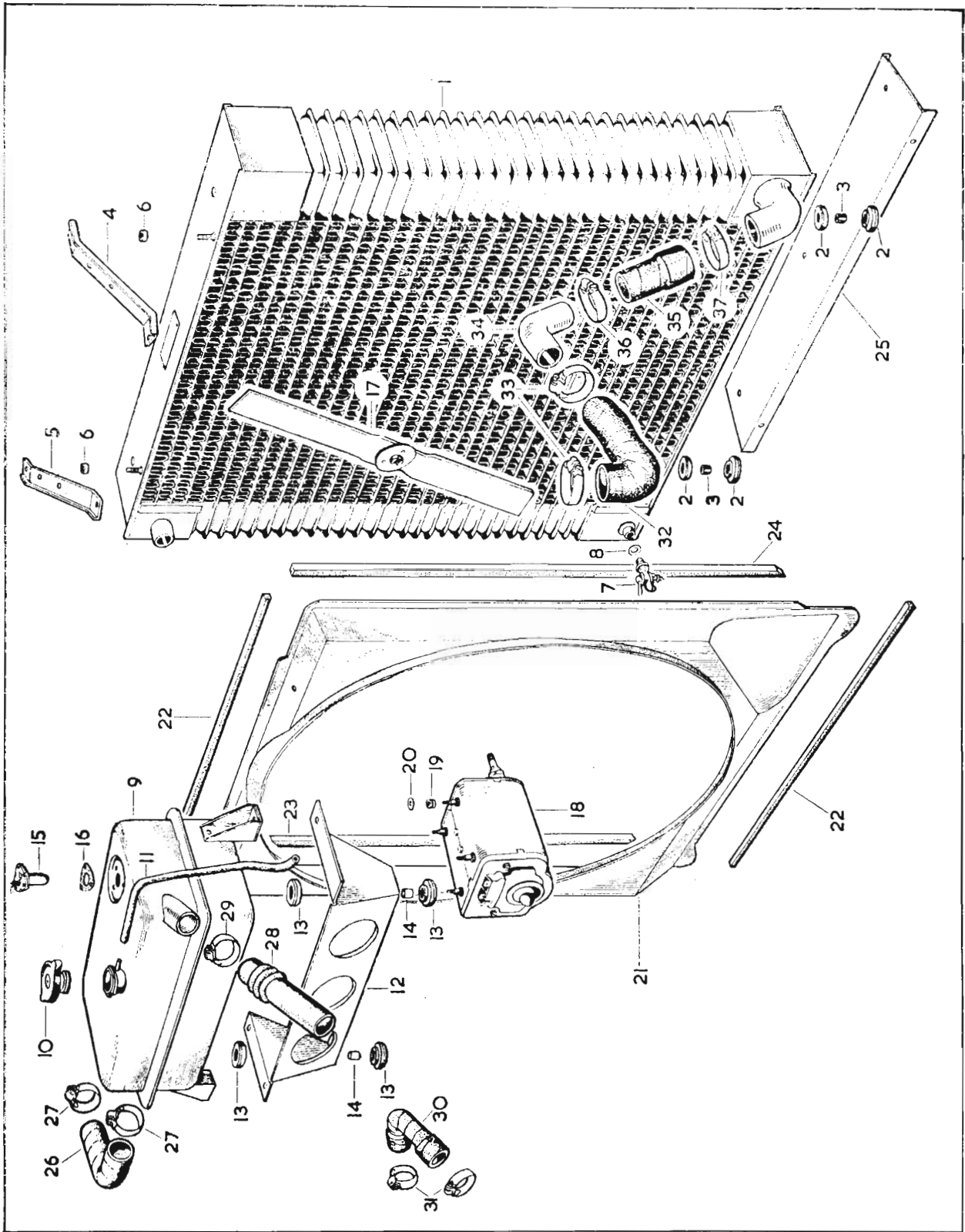


PLATE 32

HEATER AND DEMISTER INSTALLATION

Part No.	Description	Plate No.	No. per Unit	Remarks
C.17271	CASE ASSEMBLY FOR HEATER	55- 1	1	
C.17300	Side Panel Assembly , for Heater Case	55- 2	1	
BD.1229/1	Screw , Self-Tapping, securing Side Panel to Case		6	
C.15587	Spring , steadying Air Control Flap	55- 3	1	
C.19761	Lever Assembly , for connection of Spring to Air Control Flap	55- 4	1	
UFS.119/7R	Screw , Set, clamping Lever on Control Flap Shaft		1	
UFN.119/L	Nut , on Setscrew		1	
AW.102/T	Washer , Plain, under Nut		1	
C.18711	AIR RELEASE DUCT, ON BOTTOM PANEL, INSIDE HEATER CASE	55- 5	1	
BD.1814/2	Pop Rivet , securing Duct to Heater Case		6	
C.17641	CLAMP BRACKET FOR MOUNTING OF HEATER CASE TO FRAME SIDE MEMBER	55- 6	1	
UFS.119/4R	Screw , Set, securing Heater Case to Bracket		2	
C.723/A	Washer , Shakeproof, on Setscrews		4	
UFN.119/L	Nut , on Setscrews		2	
AW.102/T	Washer , Plain, on Setscrews		2	
UFS.125/4R	Screw , Set, securing Heater Case to Dash		4	
C.724	Washer , Shakeproof, on Setscrews		4	
C.17308	SEAL BETWEEN HEATER CASE AND DASH	55- 7	1	
C.17092	WATER RADIATOR FOR HEATER	55- 8	1	

HEATER AND DEMISTER INSTALLATION

Part No.	Description	Plate No.	No. per Unit	Remarks
C.17303	SEAL (FELT) AT TOP AND BOTTOM OF WATER RADIATOR	55- 9	2	
C.17304	SEAL (POLYURETHANE) AT L.H. END OF WATER RADIATOR	55-10	1	
C.17305	SEAL (POLYURETHANE) AT R.H. END OF WATER RADIATOR	55-11	1	
C.18514	SEAL (POLYURETHANE) ON HEATER RADIATOR SEATING AIR CONTROL FLAP WHEN CLOSED	55-12	1	
C.18107/3	SEAL (POLYURETHANE) ON HEATER CASE FOR LOWER EDGE OF AIR CONTROL FLAP	55-13	1	
C.18917	SEAL (POLYURETHANE) SEATING ENDS OF AIR CONTROL FLAP	55-14	2	
C.18713	SEAL (POLYURETHANE) ON AIR CONTROL FLAP, FOR RELEASE DUCT	55-15	1	

HEATER AND DEMISTER INSTALLATION

Part No.	Description	Plate No.	No. per Unit	Remarks
C.17427	HEATER MOTOR ASSEMBLY	55-16	1	
C.17309	Adaptor Plate , for mounting of Heater Motor		1	
C.17352	Fan , on Heater Motor	55-17	1	
C.18241	Spire Nut , securing Fan	55-18	1	
C.17428	Resistance , for Heater Motor (FHE.3103/01)	55-19	1	
BD.1814/1	Pop Rivet , securing Resistance to Adaptor Plate		2	
C.17310	Sealing Ring (Polyurethane) between Adaptor Plate and Heater Volute	55-20	1	
C.14696	Grommet , in motor Adaptor Plate, at fixings to Heater Volute	55-21	4	
UFN.119/L	Nut , securing Motor to Volute		4	
AW.102/T	Washer , Plain, under Nuts		4	
C.17280	INTAKE MESH, AT TOP OF HEATER VOLUTE	55-22	1	
C.18239	Fixing Ring , for Intake Mesh	55-23	1	
BD.1229/1	Screw , Self-Tapping, securing Fixing Ring to Volute		4	
C.18240	RUBBER SEAL, BETWEEN BONNET AND HEATER AIR INTAKE		1	
C.17421	ADAPTOR, AT REAR OF INLET MANIFOLD, FOR WATER FEED TO HEATER	55-24	1	
C.2296/1	Copper Washer , on Adaptor	55-25	1	
C.18987	HOSE, BETWEEN ADAPTOR AND R.H. FEED PIPE BEHIND DASH TOP PANEL	55-26	1	
C.2905/2	Clip , securing Hose	55-27	1	

HEATER AND DEMISTER INSTALLATION

Part No.	Description	Plate No.	No. per Unit	Remarks
C.17771	R.H. FEED PIPE ASSEMBLY, BEHIND DASH TOP PANEL, BETWEEN HOSE AND WATER CONTROL VALVE	55-28	1	
C.17314/1 BD.1814/2	Fixing Flange, for Feed Pipe Pop Rivet, securing Feed Pipe to Dash through Fixing Flanges	55-29	2 6	
C.17777	ELBOW HOSE, BETWEEN R.H. FEED PIPE AND WATER CONTROL VALVE	55-30	1	
C.2905/1	Clip, securing Elbow Hose	55-31	2	
C.17820	WATER CONTROL VALVE ASSEMBLY (SMITHS FHW.1272/30)	55-32	1	SUPERSEDED BY C.20820.
C.20820	WATER CONTROL VALVE ASSEMBLY (SMITHS 011-99. 7109/119)		1	SUPERSEDES C.17820.
C.17821	Mounting Block, under Valve	55-33	1	
C.9928	Sealing Ring, for L.H. Feed Pipe	55-34	1	
UFB.119/9R AG.102/X	Bolt, securing Control Valve to Dash Washer, Spring, on Bolts		2 2	
C.17773	L.H. FEED PIPE ASSEMBLY, BEHIND DASH TOP PANEL, BETWEEN WATER CONTROL VALVE AND HEATER RADIATOR	55-35	1	
C.17314/1 BD.1814/2	Fixing Flange, for Feed Pipe Pop Rivet, securing Feed Pipe to Dash through Fixing Flange	55-36	1 3	
C.17778	ELBOW HOSE, BETWEEN L.H. FEED PIPE AND HEATER RADIATOR INLET	55-37	1	
C.2905/1	Clip, securing Elbow Hose	55-38	2	

HEATER AND DEMISTER INSTALLATION

Part No.	Description	Plate No.	No. per Unit	Remarks
C.17779	ELBOW HOSE, BETWEEN HEATER RADIATOR OUTLET AND REAR RETURN PIPE	55-39	1	
C.2905/1	Clip, securing Elbow Hose	55-40	2	
C.17775	REAR RETURN PIPE ASSEMBLY, BEHIND DASH TOP PANEL, FOR WATER FROM HEATER	55-41	1	
C.17314/1	Fixing Flange, for Rear Return Pipe	55-42	2	
BD.1814/2	Pop Rivet, securing Rear Return Pipe to Dash through Fixing Flanges		6	
C.4399	HOSE BETWEEN REAR AND FRONT RETURN PIPES	55-43	1	
C.2905/2	Clip, securing Hose	55-44	2	
C.16871	FRONT RETURN PIPE AT R.H. SIDE OF CYLINDER BLOCK	55-45	1	SUPERSEDED BY C.19366.
C.19366	FRONT RETURN PIPE AT R.H. SIDE OF CYLINDER BLOCK		1	SUPERSEDES C.16871.
C.16963	Hanger Bracket, rear, for Front Return Pipe	55-46	1	
C.16964	Hanger Bracket, front, for Front Return Pipe	55-47	1	
UFS.119/4R	Screw, Set, securing Pipe in Brackets		2	
UFN.119/L	Nut, on Setscrews		2	
C.723/A	Washer, Shakeproof, under Nuts		2	

HEATER AND DEMISTER INSTALLATION

Part No.	Description	Plate No.	No. per Unit	Remarks
C.14999/1	HOSE BETWEEN FRONT RETURN PIPE AND ADAPTOR ON WATER PUMP	55-48	1	
C.2905/2	Clip, securing Hose	55-49	2	
C.17421	ADAPTOR, IN WATER PUMP, FOR RETURN FROM HEATER	55-50	1	
C.2296/1	Copper Washer, on Adaptor	55-51	1	
C.17872	L.H. CONTROL LEVER ASSEMBLY OPERATING AIR FLAP IN HEATER CASE	55-52	1	
C.17873	R.H. CONTROL LEVER ASSEMBLY OPERATING WATER VALVE	55-53	1	
UFB.125/10R	Bolt, for pivoting of Control Levers		1	
C.18701	Bush (Steel) on Bolt		1	
C.17783	Distance Collar, between Control Levers		1	
C.18414/1	Wavy Washer, between Distance Collar and L.H. Control Lever		1	
BD.541/20	Special Washer, outside Control Levers		2	
C.8737/1	Nut, Self-Locking, on Bolt		1	
C.18700	Support Bracket, on escutcheon fixing studs, for Control Levers	55-54	1	
C.16794/3	CONTROL CABLE, OPERATING AIR FLAP	55-55	1	
C.15714/3	Outer Cable, on Control Cable	55-56	1	

HEATER AND DEMISTER INSTALLATION

Part No.	Description	Plate No.	No. per Unit	Remarks
C.16794/1	CONTROL CABLE, OPERATING WATER VALVE	55-57	1	
C.15714/2	Outer Cable, on Control Cable	55-58	1	
C.17324	End Fitting, securing Control Cables to Levers	55-59	2	
C.17874	Special Screw, in End Fitting		2	
C.18510	Bracket, on L.H. Facia inner mounting Bracket, for Cable Abutment Clamp	55-60	1	
UFS.119/4R	Screw, Set, securing Bracket		2	
C.723/A	Washer, Shakeproof, on Setscrews		2	
C.18571	Abutment Clamp, securing Control Outer Cables to Bracket	55-61	1	
UFS.119/4R	Screw, Set, securing Abutment Clamp		1	
UFN.119/L	Nut, on Setscrew		1	
C.723/A	Washer, Shakeproof, under Nut		1	
C.2850	Grommet, for Outer Cables	55-62	See remarks	4 off required for R.H. Drive Cars. 5 off required for L.H. Drive Cars.
C.17801	ESCUTCHEON FOR HEATER CONTROL LEVERS	55-63	1	
C.18456	Plate, behind Escutcheon, inscribed "OFF-AIR-ON" "COLD-HOT"	55-64	1	
UFN.119/L	Nut, securing Escutcheon and Control Lever Support Bracket to L.H. Facia		2	
C.723/A	Washer, Shakeproof, under Nuts		2	
C.10351	TRUNNION FOR CONNECTION OF CONTROL INNER CABLE TO AIR FLAP AND WATER VALVE	55-65	2	
C.10352	Screw, Set, in Trunnions	55-66	2	
C.17287	Abutment Clamp, securing Flap Control Outer Cable to Bracket on Heater Case	55-67	1	
UFS.119/4R	Screw, Set, through Abutment Clamp		1	
C.723/A	Washer, Shakeproof, on Setscrew		1	
BD.19853	DOOR ASSEMBLY, UNDER SIDES OF DASH, FOR AIR FROM HEATER	55-68	2	
BD.20506	Spring, on Doors		2	
BD.10807	Knob, on Doors		2	
UCS.119/3R	Screw, Set, securing Knob to Doors		2	
C.723/A	Washer, Shakeproof, on Setscrews		2	
BD.19856	Seal (Polyurethane) for Doors		2	
UFS.119/3R	Screw, Set, securing Doors to Dash		8	
C.723/A	Washer, Shakeproof, on Setscrews		8	

HEATER AND DEMISTER INSTALLATION

Part No.	Description	Plate No.	No. per Unit	Remarks
DEMISTER CONNECTIONS BEHIND INSTRUMENT PANEL AND FACIAS				
BD.14607	RUBBER ELBOW, ON HEATER BOX, FOR CONNECTION OF HOSE TO DEMISTER NOZZLES	55-69	3	} USE IN CONJUNCTION WITH SCREEN RAIL FACIA ASSEMBLIES BD.19752, OPEN CARS, OR BD.23634, FIXED HEAD COUPE.
BD.14607	RUBBER ELBOW, ON HEATER BOX, FOR CONNECTION OF HOSE TO DEMISTER NOZZLES		1	
BD.23569	RUBBER ELBOW, ON HEATER BOX, FOR CONNECTION OF HOSE TO DEMISTER NOZZLES		2	} USE IN CONJUNCTION WITH SCREEN RAIL FACIA ASSEMBLIES BD.22732, OPEN CARS, OR BD.23832, FIXED HEAD COUPE.
BD.5281/10	FLEXIBLE HOSE BETWEEN RUBBER ELBOW AND CENTRE DEMISTER NOZZLE (7" LONG)	55-70	1	
BD.5281/11	FLEXIBLE HOSE BETWEEN RUBBER ELBOWS AND OUTER DEMISTER NOZZLES (11" LONG)	55-71	2	} USE IN CONJUNCTION WITH SCREEN RAIL FACIA ASSEMBLIES BD.19752, OPEN CARS, OR BD.23634, FIXED HEAD COUPE.
BD.5281/14	FLEXIBLE HOSE BETWEEN 'Y' PIECES AND INTERMEDIATE DEMISTER NOZZLES AND RUBBER ELBOW TO CENTRE DEMISTER NOZZLE (6" LONG)		3	
BD.5281/15	FLEXIBLE HOSE BETWEEN 'Y' PIECES AND OUTER DEMISTER NOZZLES (14½" LONG)		2	} USE IN CONJUNCTION WITH SCREEN RAIL FACIA ASSEMBLIES BD.22732, OPEN CARS, OR BD.23832, FIXED HEAD COUPE.
BD.25214	'Y' PIECE FOR FLEXIBLE AIR DUCT HOSES		2	

HEATER AND DEMISTER INSTALLATION

Part No.	Description	Plate No.	No. per Unit	Remarks
BD.19752	SCREEN RAIL FACIA ASSEMBLY (COMPRISING PANEL, CRASH PAD, FACING, ATTACHMENT BRACKETS AND DEMISTER NOZZLES)	55-72	1	OPEN CARS ONLY. FOR SPARES REPLACEMENTS USE BD.22732 (See page 185).
BD.22732	SCREEN RAIL FACIA ASSEMBLY (COMPRISING PANEL, CRASH PAD, FACING, ATTACHMENT BRACKETS AND DEMISTER NOZZLES)		1	OPEN CARS ONLY.
BD.20634	SCREEN RAIL FACIA ASSEMBLY (COMPRISING PANEL, CRASH PAD, FACING, ATTACHMENT BRACKETS AND DEMISTER NOZZLES)		1	FIXED HEAD COUPE ONLY. FOR SPARES REPLACEMENTS USE BD.23832. (See page 241).
BD.23832	SCREEN RAIL FACIA ASSEMBLY (COMPRISING PANEL, CRASH PAD, FACING, ATTACHMENT BRACKETS AND DEMISTER NOZZLES)		1	FIXED HEAD COUPE ONLY.

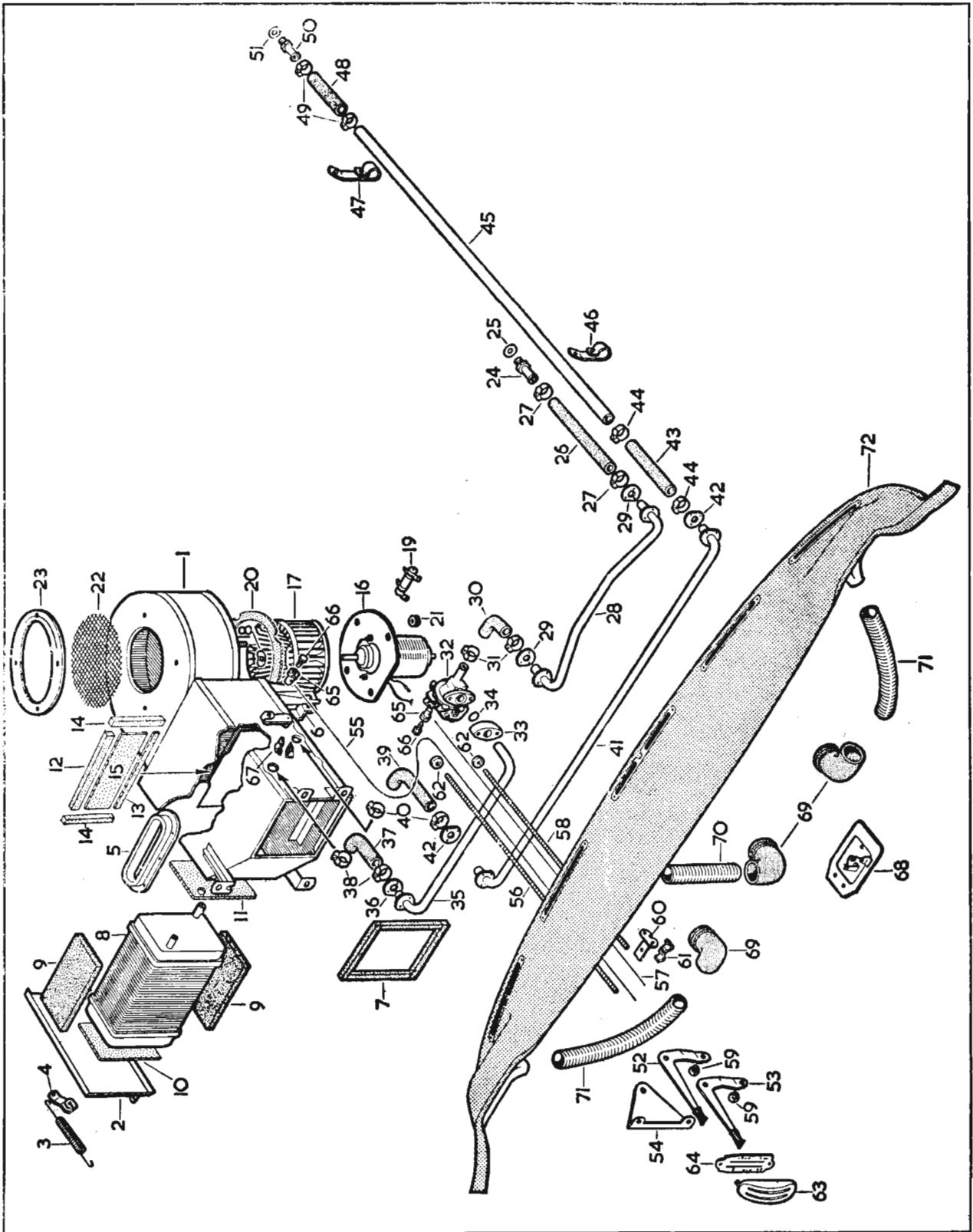


PLATE 55

CLUTCH UNIT

NOT SUITABLE FOR RACING OR COMPETITION PURPOSES

Part No.	Description	Plate No.	No. per Unit	Remarks
C.16172	CLUTCH UNIT, COMPLETE (BB.10/160/A)	11- 1	1	
C.16173	CLUTCH COVER ASSEMBLY (BB.45696/106)		1	
2546	Cover only (45616)	11- 2	1	
8769	Thrust Spring (Violet) (49970)	11- 3	12	
8097	Pressure Plate (50401)	11- 4	1	
6839	Release Lever (48992)	11- 5	3	
2472	Plate, Release Lever (40968)	11- 6	1	
2395	Retainer, Release Lever (40015)	11- 7	3	
2527	Strut, Release Lever (42606)	11- 8	3	
2588	Eyebolt, Release Lever (48243)	11- 9	3	
2523	Pin, through Eyebolt (42604)	11-10	3	
5086	Nut, on Eyebolt (48132)	11-11	3	
2545	Anti-Rattle Spring (45577)	11-12	3	
6840	RELEASE BEARING ASSEMBLY (48444)		1	
2590	Release Bearing and Cup (48443)	11-13	1	
4163	Retainer, securing Cup to Clutch Operating Fork (41628)	11-14	2	
7643	DRIVE PLATE ASSEMBLY (47627/124)		1	
2561	Facings Package (consisting of Clutch Linings and Rivets) (46663)		1	FOR RENEWAL OF DRIVEN PLATE LININGS.
C.1782	Dowel, for location of Clutch Unit to Flywheel		2	
C.20311	Bolt, securing Clutch Unit to Flywheel	11-15	6	
C.8737/3	Nut, Nylon, on Bolts	11-16	6	

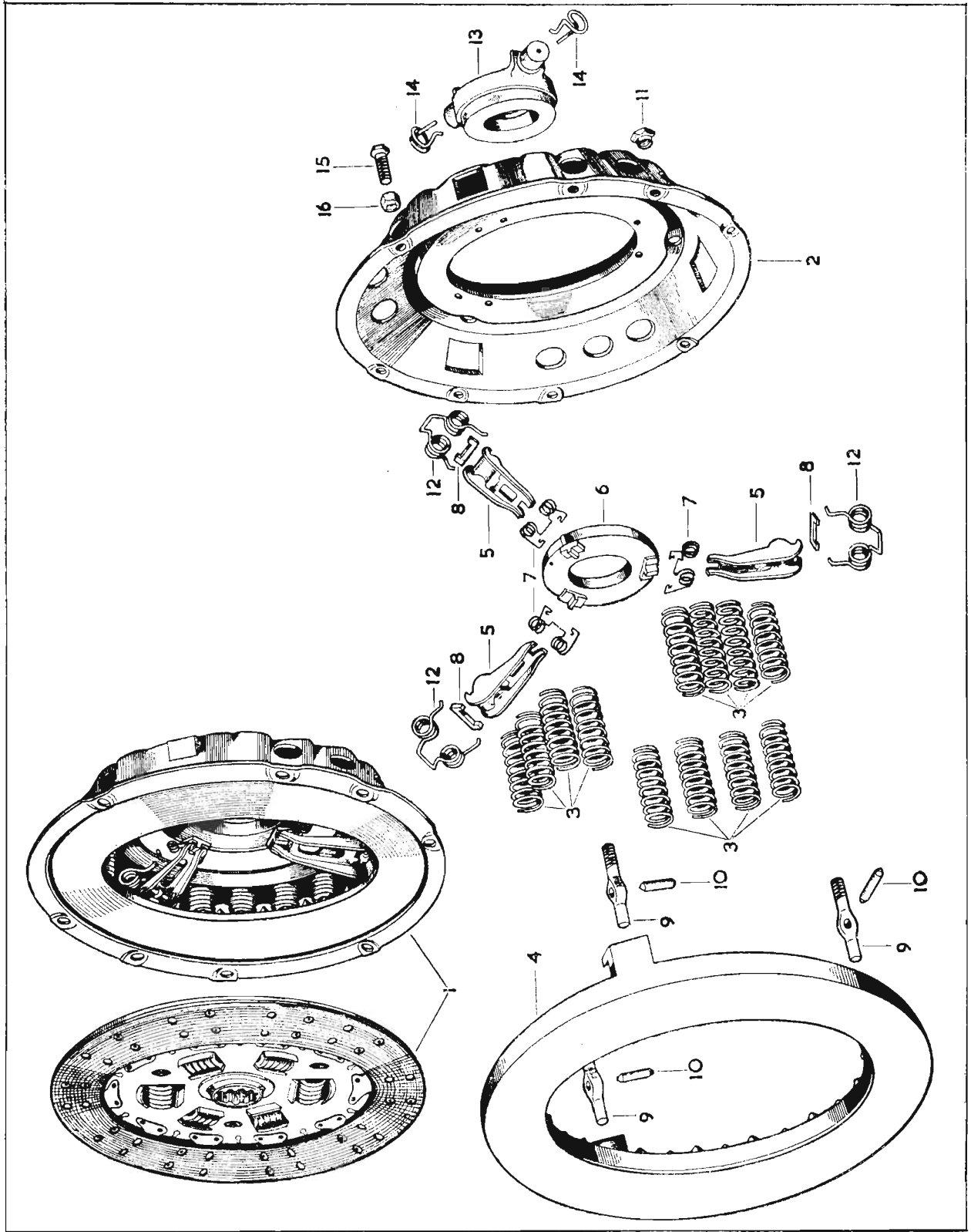


PLATE 11

CLUTCH UNIT

FOR RACING OR COMPETITION USE

Part No.	Description	Plate No.	No. per Unit	Remarks
C.16174	CLUTCH UNIT, COMPLETE (BB.10/161)	12- 1	1	SUPERSEDED BY C.19951
C.19951	CLUTCH UNIT, COMPLETE (BB.10/161A)		1	
C.16175	CLUTCH COVER ASSEMBLY (BB.45696/107)		1	SUPERSEDED BY C.19952
2546	Cover only (45616)	12- 2	1	
8769	Thrust Spring (Violet) (49970)	12- 3	12	
8780	Pressure Plate (48575)	12- 4	1	
6839	Release Lever (48992)	12- 5	3	
2472	Plate, Release Lever (40968)	12- 6	1	
2395	Retainer, Release Lever (40015)	12- 7	3	
2527	Strut, Release Lever (42606)	12- 8	3	
2588	Eyebolt, Release Lever (48243)	12- 9	3	
2523	Pin, through Eyebolt (42604)	12-10	3	
5086	Nut, on Eyebolt (48132)	12-11	3	
2545	Anti-Rattle Spring (45577)	12-12	3	
C.19952	CLUTCH COVER ASSEMBLY (BB.45696/112)		1	
10022	Thrust Spring (Buff with Black) (51448A)		12	
	All other items as for C.16175.			
6840	RELEASE BEARING ASSEMBLY (48444)		1	
2590	Release Bearing and Cup (48443)	12-13	1	
4163	Retainer, securing Cup to Clutch Operating Fork (41628)	12-14	2	
C.16215	DRIVEN PLATE ASSEMBLY (46093/42)		1	
C.1782	Dowel, for location of Clutch Unit to Flywheel		2	
C.20311	Bolt, securing Clutch Unit to Flywheel	12-15	6	
C.8737/3	Nut, Nyloc, on Bolt	12-16	6	

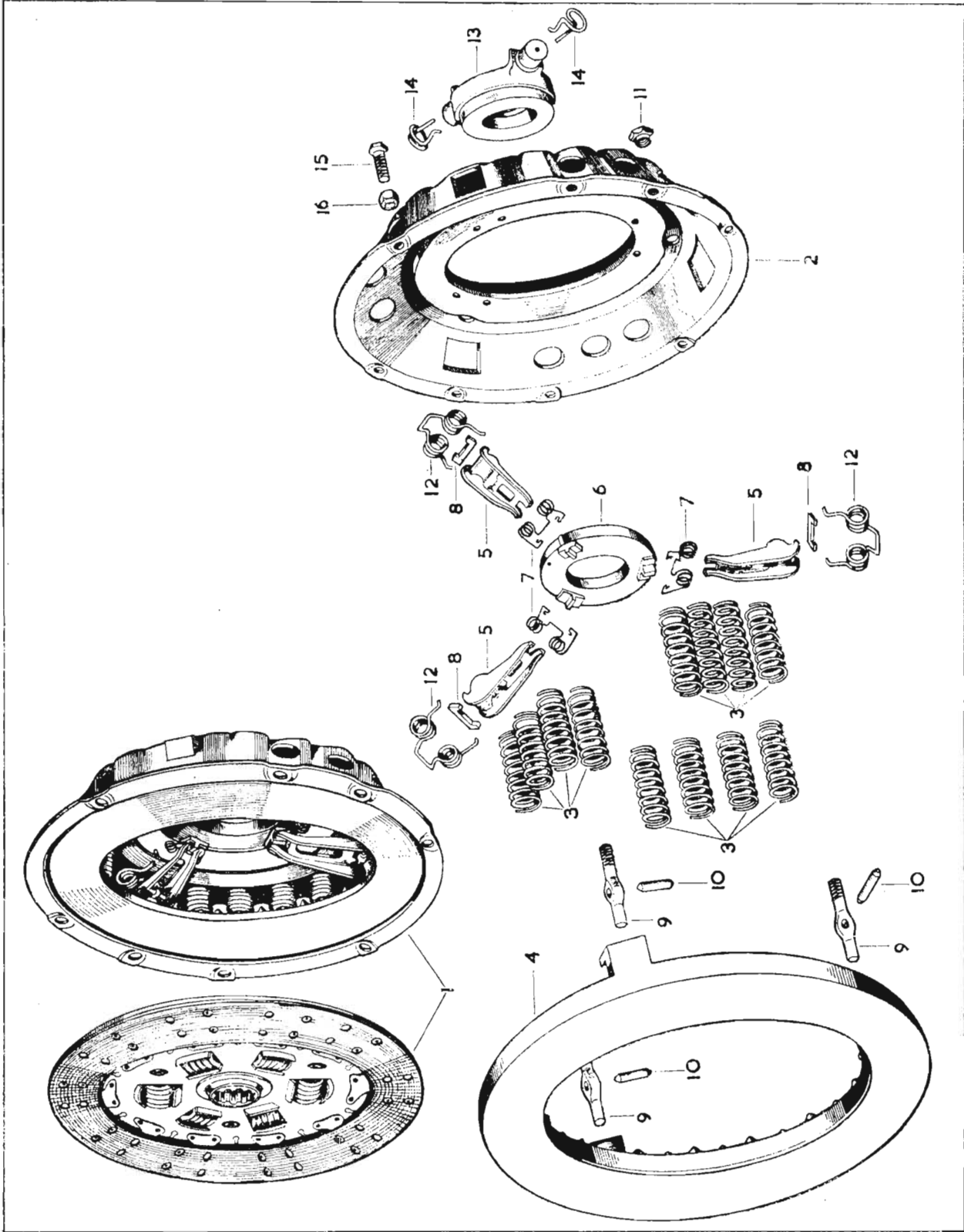


PLATE 12

CLUTCH CONTROLS

Part No.	Description	Plate No.	No. per Unit	Remarks
C.14494	CLUTCH HOUSING (COMPLETE WITH BUSHES)	13- 1	1	FITTED TO GEARBOX WITH SHAVED GEARS.
C.14494/G	CLUTCH HOUSING (COMPLETE WITH BUSHES)		1	FITTED TO GEARBOX WITH CLOSE RATIO GROUND GEARS.
C.10025	Bush , for Throw-out Shaft		2	
FB.107/13D	Bolt , securing Clutch Housing to Gearbox		6	
C.9859	Bolt , securing Clutch Housing to Gearbox		1	
C.9860	Bolt , securing Clutch Housing to Gearbox		1	
FW.107/T	Washer , Plain, on Bolts		2	
C.587	Plate , locking Bolts	13- 2	2	
C.5073	Plate , locking Bolts	13- 3	1	
UFB.137/23R	Bolt , securing Clutch Housing to Cylinder Block		11	
C.726	Washer , Shakeproof, on Bolts		11	
UFB.137/23R	Bolt , securing Clutch Housing and Support Brackets to Cylinder Block		2	
UFN.137/L	Nut , on Bolts		2	
C.726	Washer , Spring, under Nuts		2	
C.1221/1	Split Pin , in Oil Drain Hole, at bottom of Clutch Housing		1	
C.11910	Cover , over Timing aperture at bottom of Clutch Housing	13- 4	1	
BD.524/2	Rivet , securing Cover to Clutch Housing		1	
C.18739	OIL SEAL, AT REAR OF CLUTCH HOUSING, FOR GEARBOX PRIMARY SHAFT	13- 5	1	FITTED TO GEARBOX WITH SHAVED GEARS.
C.6738	OIL SEAL, AT REAR OF CLUTCH HOUSING, FOR GEARBOX PRIMARY SHAFT		1	FITTED TO GEARBOX WITH CLOSE RATIO GROUND GEARS.
C.5072	COVER PLATE, AT BACK OF CLUTCH HOUSING	13- 6	1	
UCS.125/4R	Screw , Set, securing Cover Plate		4	
C.724	Washer , Shakeproof, on Setscrews		4	
C.19207	SUPPORT BRACKET AT R.H. SIDE OF CLUTCH HOUSING	13- 7	1	
C.19206	SUPPORT BRACKET AT L.H. SIDE OF CLUTCH HOUSING	13- 8	1	
UFB.131/10R	Bolt , securing Support Brackets to Cylinder Block		3	
UFB.131/12R	Bolt , securing Support Brackets to Cylinder Block		1	
UFN.131/L	Nut , on Bolts		4	
FG.105/X	Washer , Spring, under Nuts		4	
UFB.137/11R	Bolt , securing Support Brackets to Clutch Housing		4	
UFN.137/L	Nut , on Bolts		4	
C.726	Washer , Shakeproof, under Nuts		4	

CLUTCH CONTROLS

Part No.	Description	Plate No.	No. per Unit	Remarks
C.9857	SHAFT, HOLDING OPERATING FORK TO CLUTCH HOUSING	13-9	1	
C.9797	FORK, ON SHAFT, OPERATING RELEASE BEARING	13-10	1	
C.8011	Screw (Allen Head) securing Clutch Operating Fork to Shaft		1	
UFN.125/L	Nut, locking Screw		1	
C.5120	RETURN SPRING FOR CLUTCH OPERATING FORK	13-11	1	
C.5178	Plate, anchoring Return Spring	13-12	1	
C.16989	SLAVE CYLINDER FOR CLUTCH OPERATION (110272)	13-13	1	
8335	Body only (110271)	13-14	1	
8336	Spring (89500)	13-15	1	
6139	Cup Filler, at top of Spring (87575)	13-16	1	
8591	Seal, behind Piston (27526)	13-17	1	
8592	Piston (103439)	13-18	1	
8337	Circlip, retaining Piston in Slave Cylinder Body (K.19714)	13-19	1	
6142	Rubber Boot, over end of Slave Cylinder (33427)	13-20	1	
6096	Bleeder Screw, in Slave Cylinder (28696)	13-21	1	
C.9858	Stud, for mounting of Slave Cylinder to Clutch Housing	13-22	2	
UFN.137/L	Nut, on Studs		2	
FG.106/X	Washer, Spring, under Nut		1	
C.726	Washer, Shakeproof, under Nut		1	
8593	REPAIR KIT FOR SERVICING CLUTCH SLAVE CYLINDER (SSB.601)		1	
C.9798	OPERATING ROD BETWEEN SLAVE CYLINDER AND CLUTCH FORK	13-23	1	
C.10360	ADJUSTER ASSEMBLY FOR OPERATING ROD	13-24	1	
C.9800	Bush, for Adjuster		1	
UFN.231/L	Nut, locking Adjuster to Operating Rod		1	
C.9801	Pivot Pin, securing Adjuster to Clutch Operating Fork	13-25	1	
L.103/7U	Split Pin, securing Pivot Pin		1	
FW.105/T	Washer, Plain, behind Split Pin		1	
BD.1708/1	Washer, Double Coil Spring, behind Plain Washer		1	
C.17827	PIPE ASSEMBLY BETWEEN SLAVE CYLINDER AND FLEXIBLE HOSE (VBO.7664)	13-26	1	

CLUTCH CONTROLS

Part No.	Description	Plate No.	No. per Unit	Remarks
C.11603	FLEXIBLE HOSE, BETWEEN HYDRAULIC PIPES (KL.93475)	13-27	1	
UFN.237/L	Nut , securing Flexible Hose		2	
C.741	Washer , Shakeproof, under Nuts		2	
C.17826	Bracket , on Scuttle, receiving outboard end of Hose	13-28	1	
C.17828	Bracket , at R.H. side of Cylinder Block, receiving in-board end of Hose	13-29	1	
C.2155	Distance Piece , under Bracket	13-30	1	
C.17831	PIPE ASSEMBLY BETWEEN FLEXIBLE HOSE AND CLUTCH MASTER CYLINDER (VBO.7666)	13-31	1	R.H. DRIVE CARS ONLY.
C.17833	PIPE ASSEMBLY BETWEEN FLEXIBLE HOSE AND PIPE CONNECTOR (VBO.7662)		1	L.H. DRIVE CARS ONLY.
C.13187	PIPE CONNECTOR (VBO.1766)		1	L.H. DRIVE CARS ONLY.
C.17832	PIPE ASSEMBLY BETWEEN CONNECTOR AND CLUTCH MASTER CYLINDER (VBO.7663)		1	} L.H. DRIVE CARS ONLY.
C.1040/8	Clip , securing Pipe to Scuttle		2	
C.17643	CLUTCH MASTER CYLINDER ASSEMBLY (VBM.4044)	13-32	1	} Fitted from Chassis No. 850001 to 850547. 875001 to 877488. 860001 to 860646. 885001 to 886218.
8543	Body only (VBM.3261)	13-33	1	
8296	Seal , on Valve (VBO.4842)	13-34	1	
8545	Valve (VBO.7465)	13-35	1	
6943	Spring , on Valve (VBO.1410)	13-36	1	
8546	Spring Support, Forward (VBO.7552)	13-37	1	
8548	Main Spring (VBO.7551)	13-38	1	
8547	Spring Support, Rear (VBO.4451)	13-39	1	
8549	Cup Seal , on Piston (VBO.8206)	13-40	1	
8544	Piston (VBO.7550)	13-41	1	
8550	Static Seal , on Piston (VBO.7554)	13-42	1	
8551	Push Rod Assembly (VBO.7625)	13-43	1	
6948	Circlip , retaining Push Rod in Cylinder Body (VBO.2048)	13-44	1	
6945	Dust Excluder , over end of Cylinder Body (VBO.1869)	13-45	1	

CLUTCH CONTROLS

Part No.	Description	Plate No.	No. per Unit	Remarks
C.20775	CLUTCH MASTER CYLINDER ASSEMBLY (VBM.4044/1)		1	} Fitted to Chassis No. 850548 and subs. 877489 and subs. 860647 and subs. 886219 and subs.
9314	Spring Support, Forward (VBO.8885)		1	
	All other items are as for Clutch Master Cylinder Assembly C.17643.			
C.18203	Stud, for mounting of Clutch Master Cylinder	13-46	2	
UFN.131/L	Nut, on Studs		2	
C.725	Washer, Shakeproof, under Nuts		2	
J.105/12S	Clevis Pin, securing Clutch Pedal to Master Cylinder Push Rod	13-47	1	
L.102.5/6U	Split Pin, retaining Clevis Pin		1	
FW.105/T	Washer, Plain, behind Split Pin		1	
8552	REPAIR KIT FOR SERVICING OF CLUTCH MASTER CYLINDER (VBM.8063) (COMPRISING CUP SEAL, STATIC SEAL, VALVE SEAL, DUST EXCLUDER AND TUBE OF RUBBER GREASE)		1	
C.17829	PIPE ASSEMBLY BETWEEN CLUTCH MASTER CYLINDER AND LOW PRESSURE HOSE (VBO.7599)	13-48	1	R.H. DRIVE CARS ONLY.
C.18716	PIPE ASSEMBLY BETWEEN CLUTCH MASTER CYLINDER AND LOW PRESSURE HOSE		1	L.H. DRIVE CARS ONLY.
C.6854	LOW PRESSURE HOSE BETWEEN PIPE AND FLUID RESERVOIR	13-49	1	R.H. DRIVE CARS ONLY.
C.18717	LOW PRESSURE HOSE BETWEEN PIPE AND FLUID RESERVOIR		1	L.H. DRIVE CARS ONLY.
C.15886/4	Clip, securing Hose on Pipe	13-50	1	
C.15886/5	Clip, securing Hose to Fluid Reservoir	13-51	1	
C.18616	RESERVOIR ASSEMBLY FOR CLUTCH FLUID		1	} Fitted from Chassis No. 850001 to 850555. 875001 to 877556. 860001 to 860677. 885001 to 886282.
1578	Cap, on Reservoir		1	
1193	Washer, under Cap		1	

CLUTCH CONTROLS

Part No.	Description	Plate No.	No. per Unit	Remarks
C.19646	RESERVOIR ASSEMBLY FOR CLUTCH FLUID	13-52	1	} Fitted to Chassis No. 850556 and subs. 877557 and subs. 860678 and subs. 886283 and subs.
C.19515	Cap, on Reservoir		1	
C.17476	BRACKET ASSEMBLY FOR MOUNTING OF FLUID RESERVOIRS		1	} R.H. DRIVE CARS ONLY. } Fitted from Chassis No. 850001 to 850555. 860001 to 860677.
UFS.125/4R C.8667/1	Screw, Set, clamping Reservoir Clips Nut, Self-locking, on Setscrews		3 3	
UFS.131/4R C.725	Screw, Set, securing Bracket to Dash Washer, Shakeproof, on Setscrews		2 2	
C.20232	BRACKET FOR MOUNTING OF FLUID RESERVOIRS	13-53	1	} R.H. DRIVE CARS ONLY. } Fitted to Chassis No. 850556 and subs. 860678 and subs.
UFS.131/4R C.725	Screw, Set, securing Bracket to Dash Washer, Shakeproof, on Setscrews		2 2	
C.18693	BRACKET ASSEMBLY FOR MOUNTING OF FLUID RESERVOIRS		1	} L.H. DRIVE CARS ONLY. } Fitted from Chassis No. 875001 to 877556. 885001 to 886282.
UFS.125/4R C.8667/1	Screw, Set, clamping Reservoir Clips Nut, Self-locking, on Setscrews		3 3	
C.20234	BRACKET FOR MOUNTING OF FLUID RESERVOIRS		1	L.H. DRIVE CARS ONLY. Fitted to Chassis No. 877557 and subs. 886283 and subs.
C.19497	CLAMP, SECURING RESERVOIR TO BRACKET	13-53A	2	} Fitted to Chassis No. 850556 and subs. 860678 and subs. 877557 and subs. 886283 and subs.
C.20235 C.8737/1	Stud, securing Clamp Nut, Self-Locking, on Studs		2 4	
C.17812	BRACKET ASSEMBLY, FOR FIXING OF RESERVOIR BRACKET TO L.H. SIDE MEMBER		2	} L.H. DRIVE CARS ONLY.
C.17811	Clamping Piece, for Brackets		2	
UFS.125/9R	Screw, Set, through Clamps		2	
UFN.125/L	Nut, on Setscrews		2	
C.724	Washer, Shakeproof, under Nuts		2	

CLUTCH CONTROLS

Part No.	Description	Plate No.	No. per Unit	Remarks
C.18695	SHIELD ASSEMBLY, PROTECTING RESERVOIRS FROM EXHAUST HEAT		1	L.H. DRIVE CARS ONLY. L.H. DRIVE CARS ONLY From Chassis No. 875001 to 877556. 885001 to 886282. L.H. DRIVE CARS ONLY For Chassis No. 877557 and subs. 886283 and subs.
UFS.131/7R	Screw , Set, securing Shield and Reservoir Bracket to Fixing Bracket		4	
C.18698	Spacer , on Setscrews		4	
FW.105/T	Washer , Plain, on Setscrews		8	
UFN.131/L	Nut , on Setscrews		4	
C.725	Washer , Shakeproof, under Nuts		4	
FW.105/T	Washer , Plain, on Setscrews		6	
UFN.131/L	Nut , on Setscrews		2	
C.725	Washer , Shakeproof, on Setscrews		4	
C.21255	Clip , retaining Nuts		2	
C.17253	HOUSING FOR CLUTCH PEDAL		1	Fitted from Chassis No. 850001 to 850232. 875001 to 875858. 860001 to 860020. 885001 to 885104.
C.18203	Stud , for mounting of Clutch Master Cylinder and for fixing of Housing to Scuttle		6	
C.12473	Stud , for mounting of Brake Master Cylinders and for fixing of Servo Bracket to Housing		9	
C.17260	Bush , in Housing, for Clutch Pedal		1	
UCS.125/3R	Screw , Set, retaining Bush		1	
C.21755	Washer (Tufnol) between Brake and Clutch Pedals		1	
C.17256	Shaft , through Bush, for mounting of Brake Pedal		1	
C.17485	Circlip , retaining Shaft		1	
C.17481	Washer , under Circlip		1	
C.19666	HOUSING FOR CLUTCH PEDAL	13-54	1	
C.18203	Stud , for mounting of Clutch Master Cylinder and for fixing of Housing to Scuttle		6	
C.12473	Stud , for mounting of Brake Master Cylinder and for fixing of Servo Bracket to Housing		9	
C.19613	Flanged Bearing Tube , at side of Pedal Housing	13-55	1	
UCS.125/4R	Screw , Set, securing Bearing Tube	13-56	2	
C.724	Washer , Shakeproof, on Setscrews	13-57	2	
C.19623	Bush , in Bearing Tube, for Brake Pedal Shaft	13-58	1	
C.21755	Washer (Tufnol) between Brake and Clutch Pedals	13-59	1	
C.17256	Shaft , through Bush, for Mounting of Brake Pedal	13-60	1	
C.17485	Circlip , retaining Shaft	13-61	1	
C.18262	Gasket , between Housing and Scuttle	13-62	1	
C.8667/2	Nut , Self-locking, securing Housing to Scuttle		5	
FW.105/T	Washer , Plain, under Nuts		5	
C.18831	CLUTCH PEDAL		1	R.H. DRIVE CARS ONLY. Fitted from Chassis No. 850001 to 850232. 860001 to 860020.
C.19673	CLUTCH PEDAL	13-63	1	R.H. DRIVE CARS ONLY. Fitted to Chassis No. 850233 and subs. 860021 and subs.
C.19154	Bush , in boss of Clutch Pedal	13-64	2	
C.18830	CLUTCH PEDAL		1	L.H. DRIVE CARS ONLY. Fitted from Chassis No. 875001 to 875858. 885001 to 885104.
C.19010	Return Spring , for Clutch Pedal		1	

CLUTCH CONTROLS

Part No.	Description	Plate No.	No. per Unit	Remarks
C.19672	CLUTCH PEDAL		1	} L.H. DRIVE CARS ONLY. Fitted to Chassis No. 875859 and subs. 885105 and subs.
C.19154	Bush, in boss of Clutch Pedal		2	
C.15245	STEEL PAD FOR CLUTCH PEDAL		1	Fitted from Chassis No. 850001 to 850474. 875001 to 876998. 860001 to 860374 except 860365. 885001 to 885870.
C.20221	STEEL PAD FOR CLUTCH PEDAL	13-65	1	Fitted to Chassis No. 850475 and subs. 876999 and subs. 860375 and subs, also 860365. 885871 and subs.
C.8667/2	Nut, Self-locking, securing Pad to Pedal		1	
C.9934	RUBBER PAD FOR CLUTCH PEDAL	13-66	1	

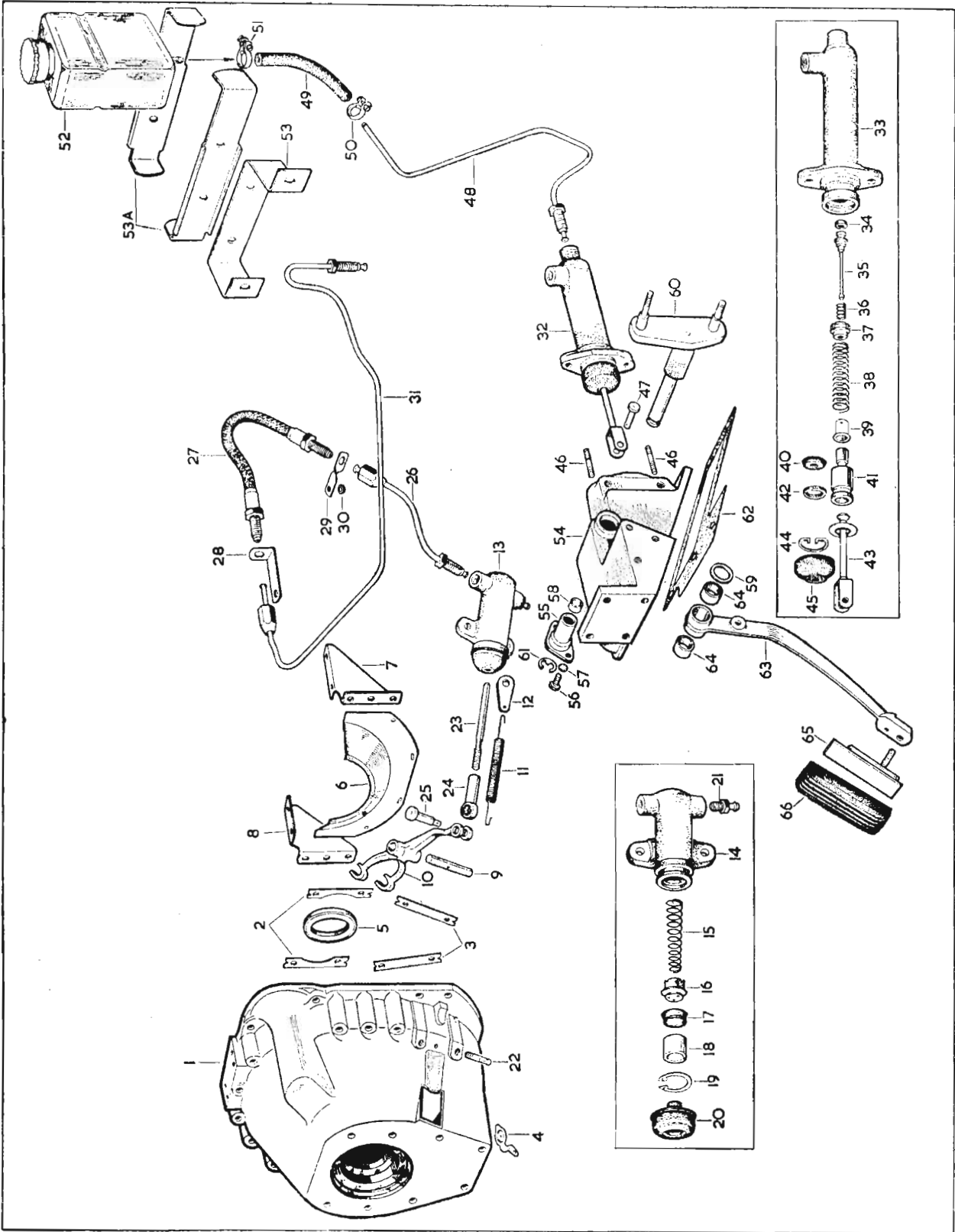


PLATE 13

GEARBOX

SHAVED GEARS

Part No.	Description	Plate No.	No. per Unit	Remarks
C.17600	GEARBOX ASSEMBLY		1	NOTE. —This Gearbox may be identified by the prefix letters "EB" and suffix letters "JS" to the Serial number on the Gearbox.
C.19208	GEARBOX CASE	14- 1	1	
C.799	Plug, Oil Drain, at bottom of Casing	14- 2	1	
C.799	Plug, Oil Level, at side of Casing	14- 2	1	
C.785	Washer (Fibre) on Drain Plugs	14- 3	2	
C.857	Plate, on Casing, locking Counter and Reverse Shafts	14- 4	1	
FS.205/7D	Screw, Set, securing Locking Plate	14- 5	1	
FG.105/X	Washer, Spring, on Setscrews	14- 6	1	
C.1845	Ball Bearing, for Mainshaft (Hoff.MS.12½KV3)	14- 7	1	
C.1855	Circlip, securing Mainshaft Bearing	14- 8	1	
C.1838	Ball Bearing, for Constant Pinion Shaft (Hoff.340KV3)	14- 9	1	
C.12195	Collar, between Casing and Circlip	14-10	1	
C.1840	Circlip, on Ball Bearing, behind Collar	14-11	1	
C.920	Washer (Fibre) in Casing, at front end of Countershaft	14-12	1	
C.1834	Gasket, between Gearbox Case and Clutch Housing	14-13	1	
C.18959	REAR END COVER	14-14	1	Fitted up to and including Gearbox Serial No. EB.245 JS
C.19041	REAR END COVER	14-14	1	Fitted from Gearbox Serial No. EB.246 JS to EB.8858 JS.
C.21415	REAR END COVER	14-14	1	Fitted to Gearbox Serial No. EB.8859 JS and subs.
C.19209	Gasket, between Rear End Cover and Casing	14-15	1	See note below.
FS.105/9D	Screw, Set, securing Rear End Cover to Casing		7	
FG.105/X	Washer, Spring, on Setscrews		7	
C.859	Seal, Oil, in Rear End Cover	14-16	1	

NOTE : The following cars were fitted with Rear End Cover C.19041 :

Open R.H. Drive : 850653, 850654.

Open L.H. Drive : 878895, 878900, 878907, 878908, 878913, 878914, 878915, 878926, 878936, 878937, 878939, 878958, 878986, 879005, 879024, 879049.

Fixed Head R.H. Drive : 861087.

Fixed Head L.H. Drive : 888086, 888096, 888101, 888103, 888109, 888113, 888117, 888118, 888120, 888134, 888157, 888178, 888238.

GEARBOX SHAVED GEARS

Part No.	Description	Plate No.	No. per Unit	Remarks
C.15847	SPEEDOMETER DRIVEN GEAR ASSEMBLY IN REAR END COVER	14-17	1	Fitted up to and including Gearbox Serial No. EB.245 JS.
C.19024	SPEEDOMETER DRIVEN GEAR ASSEMBLY IN REAR END COVER	14-17	1	Fitted to Gearbox Serial No. EB.246 JS and subs.
C.846	Screw, locking Speedo Driven Gear in Cover	14-18	1	
FG.105/X	Washer, Spring, on Locking Screw	14-19	1	
C.9177	Sealing Ring (Rubber) for Speedometer Driven Gear	14-20	1	
8779	GEARBOX REMOTE CONTROL ASSEMBLY (SD.1112) (COMPRISING TOP COVER, CHANGE-SPEED LEVER, CHANGE-SPEED FORKS, SELECTORS, ETC.)	14-21	1	
C.13332	TOP COVER	14-22	1	
C.1083	Switch, for Top Cover, operating Reversing Light	14-23	1	
C.4531	Gasket, for Switch	14-24	1	
C.860	Gasket, between Top Cover and Gearbox Case	14-25	1	
FS.105/7D	Screw, Set, securing Top Cover to Gearbox Case		6	
FB.105/11D	Bolt, securing Top Cover to Gearbox Case		2	
FB.105/15D	Bolt, securing Top Cover to Gearbox Case		2	
FG.105/X	Washer, Spring, on Bolts and Setscrews		10	
OD.105/6H	Dowel, positioning Top Cover to Casing	14-26	2	
C.1319	Ball, engaging Striking Rods	14-27	3	
C.13334	Plunger, holding Balls in position	14-28	3	
C.845	Spring, at top of Plungers	14-29	3	
C.13333	Shim, for Spring Tension	14-30	As req'd.	
C.18442	Plug, sealing redundant Breather aperture	14-31	1	
C.930	Washer (Fibre) for Plug	14-32	1	
C.7426	Stud, in Top Cover, for fixing of Change-Speed Lever Housing	14-33	4	
UFN.131/L	Nut, on Studs		4	
FG.105/X	Washer, Spring, under Nuts		4	
C.9840	Welch Washer, $\frac{7}{16}$ " diameter, at L.H. side of Top Cover	14-34	2	
787	Welch Washer, $\frac{3}{8}$ " diameter, at front and rear of Top Cover (ends of Striking Rods)	14-35	6	
C.799	Plug, in Dipstick aperture	14-36	1	
C.785	Washer (Fibre) on Plug	14-37	1	
C.7379	Plug, sealing redundant hole for Overdrive Switch in Top Cover	14-38	1	
C.2296/1	Washer (Copper) on Plug	14-39	1	

GEARBOX

SHAVED GEARS

Part No.	Description	Plate No.	No. per Unit	Remarks
STRIKING GEAR				
C.9841	Striking Rod Assembly, 1st/2nd Gears (complete with Interlock Rollers)	14-40	1	
C.9846	Striking Rod, 3rd/Top Gears	14-41	1	
C.9845	Striking Rod, Reverse Gear	14-42	1	
C.9854	Stop for 1st/2nd Speed Striking Rod	14-43	1	
C.9851	Change-Speed Fork, 1st/2nd Gears	14-44	1	
C.9852	Change-Speed Fork, 3rd/Top Gears	14-45	1	
C.9847	Change-Speed Fork, Reverse Gear	14-46	1	
C.9853	Selector, 3rd/Top Gears	14-47	1	
C.9848	Plunger, in Change-Speed Fork, for Reverse Selection	14-48	1	
C.9849	Spring, tensioning Reverse Plunger	14-49	1	
C.1319	Ball, locking Reverse Plunger	14-50	1	
C.14704	Spring, loading Locating Ball	14-51	1	
C.19772	Dowel Screw, locating Change-Speed Forks, Selector and 2nd Speed Stop, on Striking Rods	14-52	5	
C.837	Wire, locking Dowel Screws		As req'd	
C.922	Ball, between Striking Rods, for Interlock	14-53	2	
C.14468	HOUSING, ON TOP COVER, FOR CHANGE-SPEED LEVER	14-54	1	
C.1907	Bush, inside Housing, for Pivot Jaw	14-55	1	
C.13338	Gasket, under Housing	14-56	1	
C.841	Breather, at R.H. side of Housing	14-57	1	
C.930	Washer (Fibre) for Breather	14-58	1	
C.12454	'O' RING, IN HOUSING, FOR REMOTE CONTROL SHAFT	14-59	1	
C.13335	Retaining Cup, for 'O' Ring	14-60	1	
C.14305	REMOTE CONTROL SHAFT	14-61	1	
C.13341	SELECTOR FINGER, ON REMOTE CONTROL SHAFT	14-62	1	
C.19772	Dowel Screw, securing Selector Finger to Remote Control Shaft	14-63	1	
C.837	Wire, locking Dowel Screw		As req'd	
787	Welch Washer, $\frac{1}{8}$" diameter, at rear of Housing	14-64	1	

GEARBOX

SHAVED GEARS

Part No.	Description	Plate No.	No. per Unit	Remarks
C.14470	PIVOT JAW, HOUSING SELECTOR LEVER	14-65	1	
C.1894	Washer , (Tufnol) at each side of Housing Turret	14-66	2	
C.1905	Washer , Double Coil Spring, between 'D' Washer and Tufnol Washer	14-67	1	
C.1914	'D' Washer on Pivot Jaw, adjacent to Nut	14-68	1	
FN.407/L	Slotted Nut , securing Pivot Jaw to Housing		1	
L.103/8U	Split Pin , retaining Nut		1	
C.14829	SELECTOR LEVER ON END OF CHANGE-SPEED LEVER	14-69	1	
C.1906	Bush , inside Selector Lever	14-70	1	
C.1908	Washer (Tufnol) at each side of Selector Lever	14-71	2	
C.1929	Washer , Double Coil Spring, between Tufnol Washer and Selector Lever	14-72	1	
C.1912	Pivot Pin , mounting Selector Lever in Pivot Jaw	14-73	1	
FN.407/L	Slotted Nut , securing Pivot Pin		1	
L.103/8U	Split Pin , retaining Slotted Nut		1	
C.4054	CHANGE-SPEED LEVER	14-74	1	
C.16154	Knob , for Change-Speed Lever	14-75	1	
C.1928	Nut , locking Knob to Change-Speed Lever	14-76	1	
C.1915	RUBBER BUSH, HOUSING CHANGE-SPEED LEVER IN SELECTOR LEVER	14-77	2	
C.1919	Washer , at top of Rubber Bush	14-78	1	
C.1904	Washer , at bottom of Rubber Bush	14-79	1	
FN.405/L	Slotted Nut , securing Change-Speed Lever to Selector Lever		1	
L.103/8U	Split Pin , retaining Slotted Nut		1	

GEARBOX

SHAVED GEARS

Part No.	Description	Plate No.	No. per Unit	Remarks
C.885	FLANGE, ON MAINSHAFT, FOR UNIVERSAL JOINT	15- 1	1	
C.840	Nut , Slotted, securing Flange to Mainshaft	15- 2	1	
C.925	Washer , Plain, under Slotted Nut	15- 3	1	
L.104/12U	Pin , Split, securing Slotted Nut	15- 4	1	
C.4994	MAINSHAFT	15- 5	1	
C.14932	Gear , Speedometer Driving	15- 6	1	} Fitted up to and including Gearbox Serial No. EB.245 JS.
C.909	Distance Piece , behind Speedometer Driving Gear	15- 7	1	
C.19026	Gear , Speedometer Driving	15- 6	1	} Fitted to Gearbox Serial No. EB.246 JS and subs.
C.19286	Distance Piece , behind Speedometer Driving Gear	15- 7	1	
C.10209	Sleeve , Synchronising Assembly, 2nd Speed	15- 8	1	
C.900	Spring , in 2nd and 3rd/Top Synchro Sleeves	15- 9	12	
C.922	Ball , in 2nd and 3rd/Top Synchro Sleeves at top of Springs and Plungers	15-10	15	
C.901	Plunger in 2nd and 3rd/Top Synchro Sleeves (.490" long)	15-11	3	} SELECTIVE SIZES. Choose the Plunger of the desired length.
C.901/1	Plunger in 2nd and 3rd/Top Synchro Sleeves (.495" long)	15-11	3	
C.901/2	Plunger in 2nd and 3rd/Top Synchro Sleeves (.500" long)	15-11	3	
C.10201	Gear , 1st Speed	15-12	1	
C.10202	Gear , 2nd Speed	15-13	1	
C.10203	Gear , 3rd Speed	15-14	1	
C.1850	Roller , Needle, in 2nd and 3rd Speed Gears	15-15	82	
C.1849	Plunger , in Mainshaft, locking 2nd and 3rd Speed Gears	15-16	2	
C.1324	Spring , under Plungers	15-17	2	
C.10206/1	Washer , Thrust, front and rear of 2nd and 3rd Speed Gears (.471"/.472" thick)	15-18	2	} SELECTIVE SIZES. Choose the Washer of the desired thickness.
C.10206/2	Washer , Thrust, front and rear of 2nd and 3rd Speed Gears (.473"/.474" thick)	15-18	2	
C.10206/3	Washer , Thrust, front and rear of 2nd and 3rd Speed Gears (.475"/.476" thick)	15-18	2	
C.10208	Sleeve , Synchronising 3rd/Top Speeds	15-19	1	
C.4049/1	Sleeve , Operating 3rd/Top Speeds	15-20	1	
C.903	Shim , for Synchro Sleeve (.006" thick)	15-21	As req'd	
C.914	Shim , for Synchro Sleeve (.028" thick)	15-21	As req'd	
C.10200	CONSTANT PINION SHAFT ASSEMBLY	15-22	1	
C.1843	Bearing , Roller, inside Constant Pinion Shaft	15-23	1	
C.2121	Oil Thrower , on Constant Pinion Shaft	15-24	1	
C.11932	Locknut , on Constant Pinion Shaft, securing Front Bearing	15-25	2	
C.11933	Tab Washer , retaining Locknut	15-26	1	

GEARBOX SHAVED GEARS

Part No.	Description	Plate No.	No. per Unit	Remarks
C.10205/1	REVERSE GEAR (COMPLETE WITH BUSHES)	15-27	1	
C.2070	Reverse Spindle	15-28	1	
C.1893	Lever, operating Reverse Gear	15-29	1	
C.1899	Fulcrum Pin, for Operating Lever	15-30	1	
C.777	Nut, Slotted, securing Fulcrum Pin	15-31	1	
FW.106/T	Washer, Plain, under Slotted Nut	15-32	1	
L.103/8U	Pin, Split, retaining Slotted Nut and Reverse Slipper	15-33	2	
C.866	Reverse Slipper	15-34	1	
C.4284	Sealing Ring, on Reverse Spindle	15-35	1	
C.1856	COUNTERSHAFT	15-36	1	
C.10204	GEAR UNIT (CLUSTER) ON COUNTERSHAFT	15-37	1	
C.1864	Retaining Ring, at rear of Needle Rollers	15-38	2	
C.918	Needle Roller	15-39	58	
C.1861	Thrust Washer, Inner, at rear of Counter adjacent to Needle Rollers	15-40	1	
C.1862	Thrust Washer, Outer, at rear of Counter (.156" thick)	15-41	1	} To eliminate end float on Countershaft, select Washer which has the desired thickness.
C.1862/1	Thrust Washer, Outer, at rear of Counter (.159" thick)	15-41	1	
C.1862/2	Thrust Washer, Outer, at rear of Counter (.162" thick)	15-41	1	
C.1862/3	Thrust Washer, Outer, at rear of Counter (.152" thick)	15-41	1	
C.1862/4	Thrust Washer, Outer, at rear of Counter (.164" thick)	15-41	1	
C.10210	Retaining Ring, at outer end of Front Needle Rollers	15-42	1	
C.8835	Thrust Washer, Inner, at front end of Counter	15-43	1	
C.1859	Thrust Washer, Outer Assembly, at front end of Counter	15-44	1	
C.4285	Sealing Ring, on Countershaft	15-45	1	

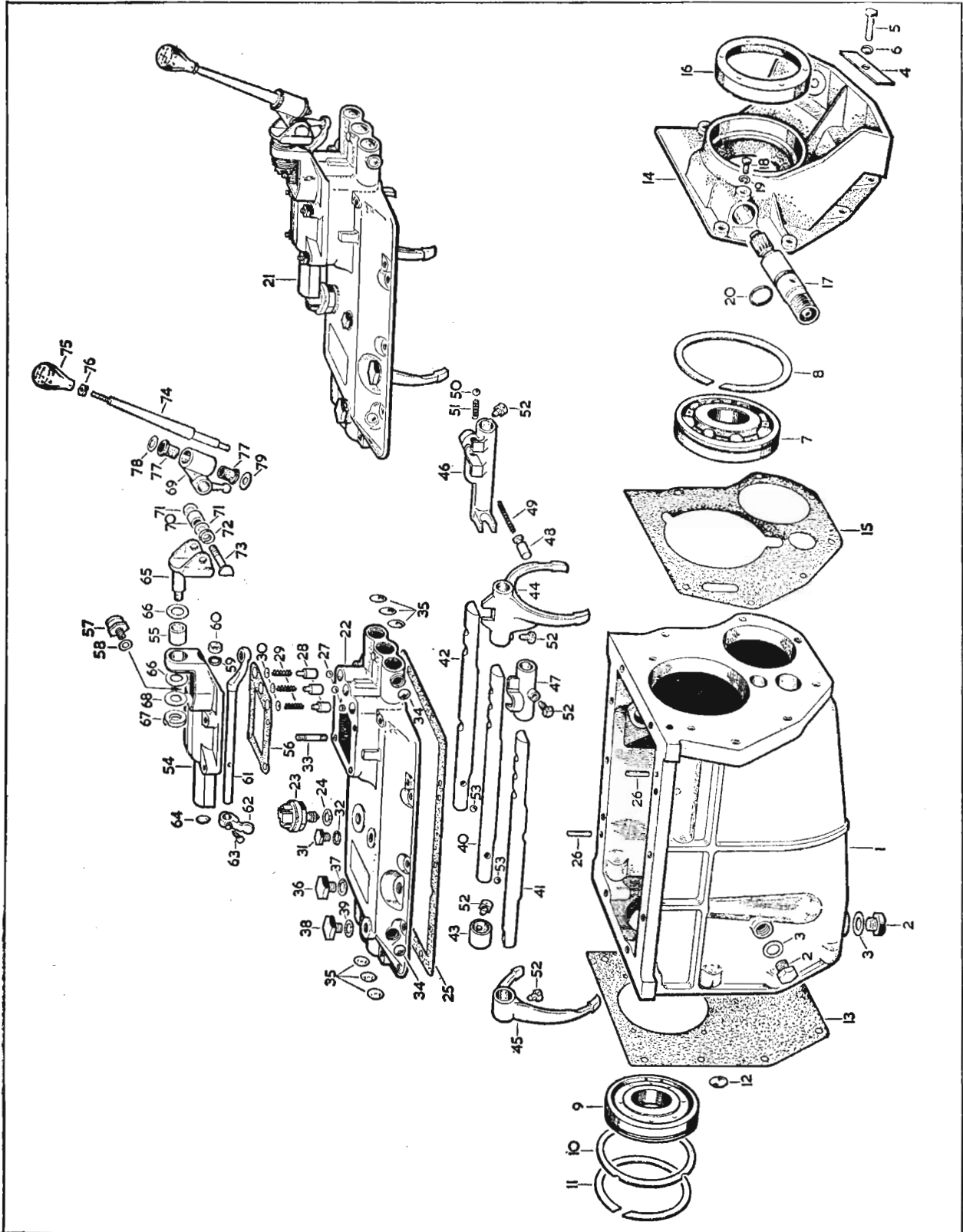


PLATE 14

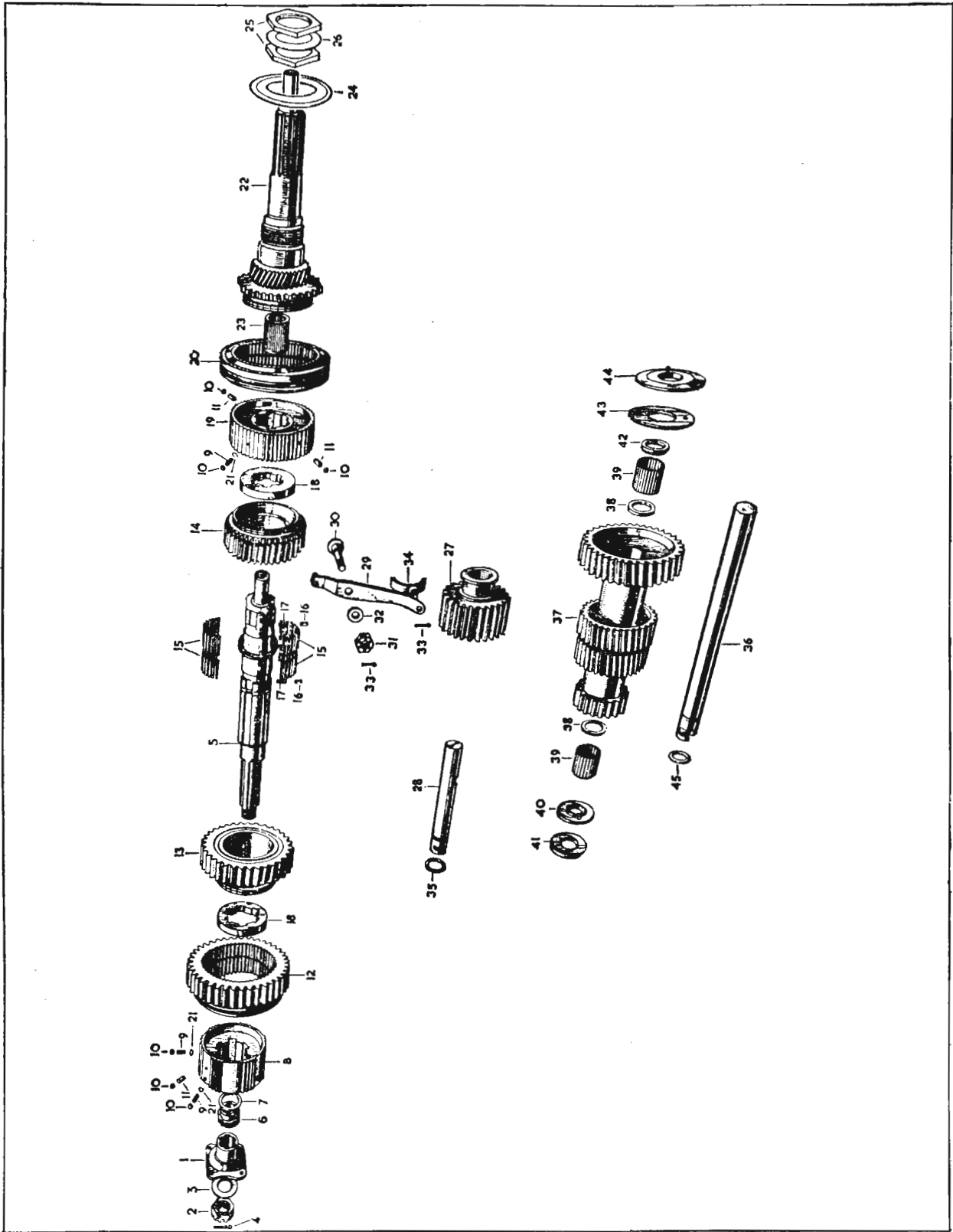


PLATE 15

GEARBOX

(CLOSE RATIO GROUND GEARS)

Part No.	Description	Plate No.	No. per Unit	Remarks
C.19280	GEARBOX ASSEMBLY		1	NOTE.—This Gearbox may be identified by the prefix letters "EB" and suffix letters "CR" to the Serial number on the Gearbox.
C.9815	GEARBOX CASE	16- 1	1	
C.799	Plug, Oil Drain, at bottom of Casing	16- 2	1	
C.799	Plug, Oil Level, at side of Casing	16- 2	1	
C.785	Washer (Fibre) on Drain Plugs	16- 3	2	
C.857	Plate, on Casing, locking Counter and Reverse Shafts	16- 4	1	
FS.205/7D	Screw, Set, securing Locking Plate	16- 5	1	
FG.105/X	Washer, Spring, on Setscrew	16- 6	1	
C.1845	Ball Bearing, for Mainshaft (Hoff.MS.12½V.3)	16- 7	1	
C.1855	Circlip, securing Mainshaft Bearing	16- 8	1	
C.1838	Ball Bearing, for Constant Pinion Shaft (Hoff.340V.3)	16- 9	1	
C.1841	Collar, between Casing and Circlip	16-10	1	
C.1840	Circlip, on Ball Bearing, behind Collar	16-11	1	
C.920	Washer (Fibre) in Casing, at front end of Countershaft	16-12	1	
C.1834	Gasket, between Gearbox Case and Clutch Housing	16-13	1	
C.18959	REAR END COVER	16-14	1	Fitted up to and including Gearbox Serial No. EB.8858 CR.
C.21415	REAR END COVER	16-14	1	Fitted to Gearbox Serial No. EB.8859 CR and subs. See note below.
C.1866	Gasket, between Rear End Cover and Casing	16-15	1	
FS.105/9D	Screw, Set, securing Rear End Cover to Casing		7	
FG.105/X	Washer, Spring, on Setscrews		7	
C.859	Seal, Oil, in Rear End Cover	16-16	1	
C.15847	SPEEDOMETER DRIVEN GEAR ASSEMBLY IN REAR END COVER	16-17	1	
C.846	Screw, locking Speedo Driven Gear in Cover	16-18	1	
FG.105/X	Washer, Spring, on Locking Screw	16-19	1	
C.9177	Sealing Ring (Rubber) for Speedometer Driven Gear	16-20	1	
8779	GEARBOX REMOTE CONTROL ASSEMBLY (SD.1112) (COMPRISING TOP COVER, CHANGE-SPEED LEVER, CHANGE-SPEED FORKS, SELECTORS, ETC.)	16-21	1	

NOTE : The following cars were fitted with Rear End Cover C.18959 :

Open R.H. Drive : 850653, 850654.
Open L.H. Drive : 878895, 878900, 878907, 878908, 878913, 878914, 878915, 878926, 878936, 878937, 878939, 878958, 878986, 8790 05, 879024, 879049.
Fixed Head R.H. Drive : 861087.
Fixed Head L.H. Drive : 888086, 888096, 888101, 888103, 888109, 888113, 888117, 888118, 888120, 888134, 888157, 888178, 888238.

GEARBOX

(CLOSE RATIO GROUND GEARS)

Part No.	Description	Plate No.	No. per Unit	Remarks
C.13332	TOP COVER	16-22	1	
C.1083	Switch, for Top Cover, operating Reversing Light	16-23	1	
C.4531	Gasket, for Switch	16-24	1	
C.860	Gasket, between Top Cover and Gearbox Case	16-25	1	
FS.105/7D	Screw, Set, securing Top Cover to Gearbox Case		6	
FB.105/11D	Bolt, securing Top Cover to Gearbox Case		2	
FB.105/15D	Bolt, securing Top Cover to Gearbox Case		2	
FG.105/X	Washer, Spring, on Bolts and Setscrews		10	
OD.105/6H	Dowel, positioning Top Cover to Casing	16-26	2	
C.1319	Ball, engaging Striking Rods	16-27	3	
C.13334	Plunger, holding Balls in position	16-28	3	
C.845	Spring, at top of Plungers	16-29	3	
C.13333	Shim, for Spring Tension	16-30	As req'd	
C.18442	Plug, sealing redundant Breather aperture	16-31	1	
C.930	Washer (Fibre) for Plug	16-32	1	
C.7426	Stud, in Top Cover, for fixing of Change-Speed Lever Housing	16-33	4	
UFN.131/L	Nut, on Studs		4	
FG.105/X	Washer, Spring, under Nuts		4	
C.9840	Welch Washer, $\frac{1}{16}$ " diameter, at L.H. side of Top Cover	16-34	2	
787	Welch Washer, $\frac{3}{8}$ " diameter, at front and rear of Top Cover (ends of Striking Rods)	16-35	6	
C.799	Plug, in Dipstick Aperture	16-36	1	
C.785	Washer (Fibre) on Plug	16-37	1	
C.7379	Plug, sealing redundant hole for Overdrive Switch in Top Cover	16-38	1	
C.2296/1	Washer (Copper) on Plug	16-39	1	
STRIKING GEAR				
C.9841	Striking Rod Assembly, 1st/2nd Gears (complete with Interlock Rollers)	16-40	1	
C.9846	Striking Rod, 3rd/Top Gears	16-41	1	
C.9845	Striking Rod, Reverse Gear	16-42	1	
C.9854	Stop, for 1st/2nd Speed Striking Rod	16-43	1	
C.9851	Change-Speed Fork, 1st/2nd Gears	16-44	1	
C.9852	Change-Speed Fork, 3rd/Top Gears	16-45	1	
C.9847	Change-Speed Fork, Reverse Gear	16-46	1	
C.9853	Selector, 3rd/Top Gears	16-47	1	
C.9848	Plunger, in Change-Speed Fork, for Reverse Selection	16-48	1	
C.9849	Spring, tensioning Reverse Plunger	16-49	1	
C.1319	Ball, locking Reverse Plunger	16-50	1	
C.14704	Spring, loading Locating Ball	16-51	1	
C.19772	Dowel Screw, locating Change-Speed Forks, Selector and 2nd Speed Stop, on Striking Rods	16-52	5	
C.837	Wire, locking Dowel Screws		As req'd	
C.922	Ball, between Striking Rods, for Interlock	16-53	2	
HOUSING, ON TOP COVER, FOR CHANGE-SPEED LEVER				
C.14468		16-54	1	
C.1907	Bush, inside Housing, for Pivot Jaw	16-55	1	
C.13338	Gasket, under Housing	16-56	1	
C.841	Breather, at R.H. side of Housing	16-57	1	
C.930	Washer (Fibre) for Breather	16-58	1	

GEARBOX

(CLOSE RATIO GROUND GEARS)

Part No.	Description	Plate No.	No. per Unit	Remarks
C.12454	'O' RING, IN HOUSING, FOR REMOTE CONTROL SHAFT	16-59	1	
C.13335	Retaining Cup, for 'O' Ring	16-60	1	
C.14305	REMOTE CONTROL SHAFT	16-61	1	
C.13341	SELECTOR FINGER, ON REMOTE CONTROL SHAFT	16-62	1	
C.19772	Dowel Screw, securing Selector Finger to Remote Control Shaft	16-63	1	
C.837	Wire, locking Dowel Screw		As req'd	
787	Welch Washer, $\frac{3}{8}$" diameter, at rear of Housing	16-64	1	
C.14470	PIVOT JAW HOUSING SELECTOR LEVER	16-65	1	
C.1894	Washer (Tufnol) at each side of Housing Turret	16-66	2	
C.1905	Washer, Double Coil Spring, between 'D' Washer and Tufnol Washer	16-67	1	
C.1914	'D' Washer, on Pivot Jaw, adjacent to Nut	16-68	1	
FN.407/L	Slotted Nut, securing Pivot Jaw to Housing		1	
L.103/8U	Split Pin, retaining Nut		1	
C.14829	SELECTOR LEVER ON END OF CHANGE-SPEED LEVER	16-69	1	
C.1906	Bush, inside Selector Lever	16-70	1	
C.1908	Washer (Tufnol) at each side of Selector Lever	16-71	2	
C.1929	Washer, Double Coil Spring, between Tufnol Washer and Selector Lever	16-72	1	
C.1912	Pivot Pin, mounting Selector Lever in Pivot Jaw	16-73	1	
FN.407/L	Slotted Nut, securing Pivot Pin		1	
L.103/8U	Split Pin, retaining Slotted Nut		1	

GEARBOX

(CLOSE RATIO GROUND GEARS)

Part No.	Description	Plate No.	No. per Unit	Remarks
C.4054	CHANGE-SPEED LEVER	16-74	1	
C.16154	Knob, for Change-Speed Lever	16-75	1	
C.1928	Nut, locking Knob to Change-Speed Lever	16-76	1	
C.1915	RUBBER BUSH, HOUSING CHANGE-SPEED LEVER IN SELECTOR LEVER	16-77	2	
C.1919	Washer, at top of Rubber Bush	16-78	1	
C.1904	Washer, at bottom of Rubber Bush	16-79	1	
FN.405/L	Slotted Nut, securing Change-Speed Lever to Selector Lever		1	
L.103/8U	Split Pin, retaining Slotted Nut		1	
C.885	FLANGE, ON MAINSHAFT, FOR UNIVERSAL JOINT	17-1	1	
C.840	Nut, Slotted, securing Flange to Mainshaft	17- 2	1	
C.925	Washer, Plain, under Slotted Nut	17- 3	1	
L.104/12U	Pin, Split, securing Slotted Nut	17- 4	1	
C.4994	MAINSHAFT	17- 5	1	
C.14932	Gear, Speedometer Driving	17- 6	1	
C.909	Distance Piece, behind Speedometer Driving Gear	17- 7	1	
C.7480	Sleeve, Synchronising Assembly, 2nd Speed	17- 8	1	
C.900	Spring, in 2nd and 3rd/Top Synchro Sleeves	17- 9	12	
C.922	Ball, in 2nd and 3rd/Top Synchro Sleeves at top of Springs and Plungers	17-10	15	
C.901	Plunger in 2nd and 3rd/Top Synchro Sleeves (.490" long)	17-11	3	} SELECTIVE SIZES. Choose the Plunger of the desired length.
C.901/1	Plunger in 2nd and 3rd/Top Synchro Sleeves (.495" long)	17-11	3	
C.901/2	Plunger in 2nd and 3rd/Top Synchro Sleeves (.500" long)	17-11	3	
C.2040	Gear, 1st Speed	17-12	1	
C.4125	Gear, 2nd Speed	17-13	1	
C.4123	Gear Assembly, 3rd Speed	17-14	1	
C.1850	Roller, Needle, in 2nd and 3rd Speed Gears	17-15	82	
C.1849	Plunger, in Mainshaft, locking 2nd and 3rd Speed Gears	17-16	2	
C.1324	Spring, under Plungers	17-17	2	
C.2678/1	Washer, Thrust, front and rear of 2nd and 3rd Speed Gears (.471"/.472" thick)	17-18	2	} SELECTIVE SIZES. Choose the Washer of the desired thickness.
C.2678/2	Washer, Thrust, front and rear of 2nd and 3rd Speed Gears (.473"/.474" thick)	17-18	2	
C.2678/3	Washer, Thrust, front and rear of 2nd and 3rd Speed Gears (.475"/.476" thick)	17-18	2	
C.4122	Sleeve, Synchronising, 3rd/Top Speeds	17-19	1	
C.4049	Sleeve, Operating, 3rd/Top Speeds	17-20	1	
C.903	Shim, for Synchro Sleeve (.006" thick)	17-21	As req'd	
C.914	Shim, for Synchro Sleeve (.028" thick)	17-21	As req'd	

GEARBOX

(CLOSE RATIO GROUND GEARS)

Part No.	Description	Plate No.	No. per Unit	Remarks
C.9252	CONSTANT PINION SHAFT ASSEMBLY	17-22	1	
C.1843	Bearing , Roller, inside Constant Pinion Shaft	17-23	1	
C.2121	Oil Thrower , on Constant Pinion Shaft	17-24	1	
C.1838/1	Circlip , retaining Ball Bearing on Constant Pinion Shaft	17-25	1	
C.2109	Washer , for Constant Pinion	17-26	1	
C.2110	Shim , for Constant Pinion	17-27	As req'd	
C.2111	Shim , for Constant Pinion	17-28	As req'd	
C.2044/2	REVERSE GEAR (COMPLETE WITH BUSHES)	17-29	1	
C.2070	Reverse Spindle	17-30	1	
C.1893	Lever , operating Reverse Gear	17-31	1	
C.1899	Fulcrum Pin , for Operating Lever	17-32	1	
C.777	Nut , Slotted, securing Fulcrum Pin	17-33	1	
FW.106/T	Washer , Plain, under Slotted Nut	17-34	1	
L.103/6U	Pin , Split, retaining Slotted Nut and Reverse Slipper	17-35	2	
C.866	Reverse Slipper	17-36	1	
C.4284	Sealing Ring , on Reverse Spindle	17-37	1	
C.1856	COUNTERSHAFT	17-38	1	
C.2041	Gear , 1st Speed, on Counter	17-39	1	
C.1864	Retaining Ring , at rear of Needle Rollers	17-40	2	
C.918	Needle Roller , inside each end of Countershaft	17-41	58	
C.1861	Thrust Washer Assembly , Inner, at rear end of Counter adjacent to Needle Rollers	17-42	1	
C.1862	Thrust Washer , Outer, at rear of Counter (.156" thick)	17-43	1	} SELECTIVE SIZES. Choose Washer of desired thickness.
C.1862/1	Thrust Washer , Outer, at rear of Counter (.159" thick)	17-43	1	
C.1862/2	Thrust Washer , Outer, at rear of Counter (.162" thick)	17-43	1	
C.1862/3	Thrust Washer , Outer, at rear of Counter (.152" thick)	17-43	1	
C.1862/4	Thrust Washer , Outer, at rear of Counter (.164" thick)	17-43	1	
C.2043	Retaining Ring , at outer end of Front Needle Rollers	17-44	1	
C.8835	Thrust Washer , Inner, at front end of Counter	17-45	1	
C.1859	Thrust Washer Assembly , Outer, at end of Counter	17-46	1	
C.5826	Constant Wheel	17-47	1	
C.2046	Gear , 3rd Speed, on Countershaft	17-48	1	
C.2047	Gear , 2nd Speed, on Countershaft	17-49	1	
C.2048	Split Ring , locating Constant Wheel	17-50	2 halves	
C.2072	Circlip , positioning 3rd Speed Gear and Constant Wheel	17-51	2	
C.4285	Sealing Ring , on Countershaft	17-52	1	

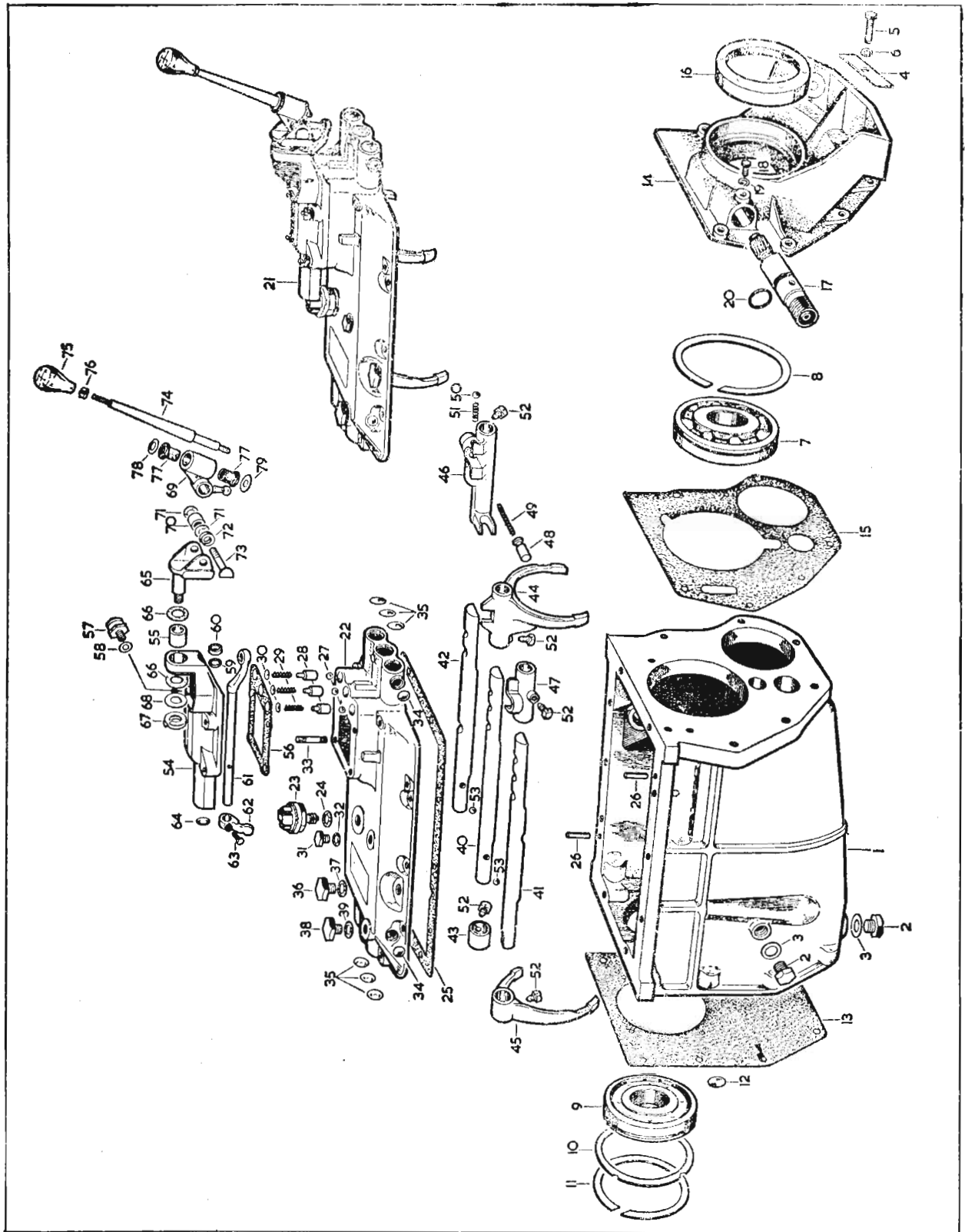


PLATE 16

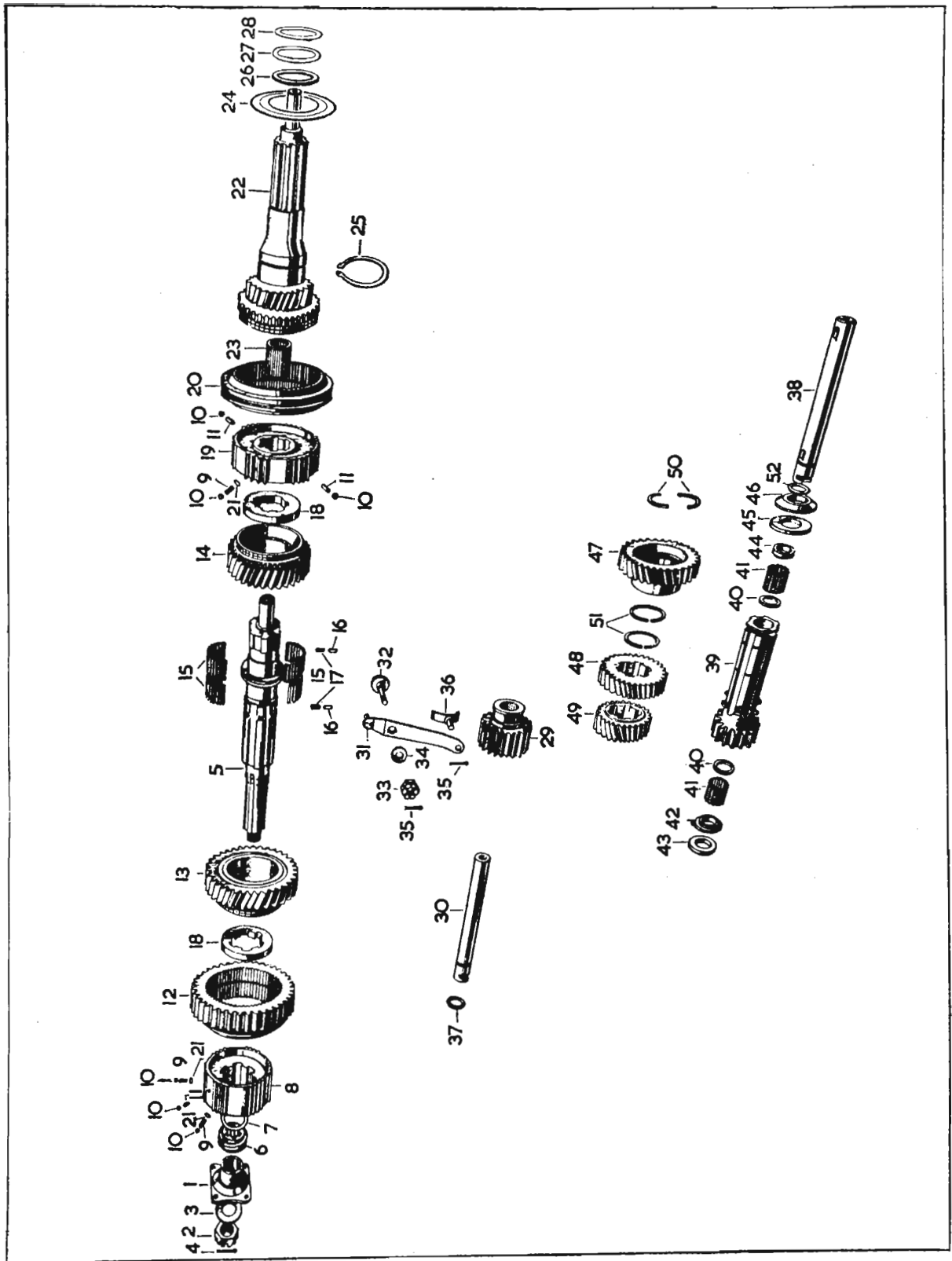


PLATE 17

FRONT SUSPENSION

Part No.	Description	Plate No.	No. per Unit	Remarks
C.15160	FRONT SUSPENSION ASSEMBLY, R.H.		1	} Fitted from Chassis No. 850001 to 850253. 875001 to 875963. 860001 to 860022. 885001 to 885142.
C.15161	FRONT SUSPENSION ASSEMBLY, L.H.		1	
C.18669	FRONT SUSPENSION ASSEMBLY, R.H.		1	} Fitted from Chassis No. 850254 to 850290. 875964 to 876129. 860023 to 860032. 885143 to 885209.
C.18670	FRONT SUSPENSION ASSEMBLY, L.H.		1	
C.19960	FRONT SUSPENSION ASSEMBLY, R.H.		1	} Fitted to Chassis No. 850291 and subs. 876130 and subs. 860033 and subs. 885210 and subs.
C.19961	FRONT SUSPENSION ASSEMBLY, L.H.		1	
C.15361	UPPER WISHBONE ASSEMBLY, R.H.	20- 1	1	
C.15362	UPPER WISHBONE ASSEMBLY, L.H.		1	
C.15363	Upper Wishbone, R.H.	20- 2	1	
C.15364	Upper Wishbone, L.H.		1	
C.14435	Ball Pin, in Upper Wishbones	20- 3	2	
C.14438	Socket, over Ball Pins	20- 4	2	
C.19266	Shim, for adjustment of Upper Ball Pins (.004" thick)		As req'd	
C.635	Spring, over Sockets	20- 5	2	
C.15365	Top Cover, above Ball Pins	20- 6	2	
C.15366	Circlip, securing Top Cover in Wishbone Levers	20- 7	2	
C.3044/1	Grease Nipple in Upper Wishbones, for Ball Pin Lubrication	20- 8	2	
C.15367	Gaiter, on Ball Pins	20- 9	2	
C.15368	Clip, securing Gaiter to Upper Wishbones	20-10	2	
C.8737/5	Nut, Self-Locking, securing Ball Pin to Stub Axle Carriers		2	
C.791	Washer, Plain, under Nuts		2	
C.15369	Fulcrum Shaft, for Upper Wishbones	20-11	2	
C.15371	Pinch Bolt, clamping Wishbones on Fulcrum Shafts	20-12	4	
C.15379	Distance Washer, on Fulcrum Shafts	20-13	4	
C.8672	Rubber Bush, on Fulcrum Shafts	20-14	4	
UFN.450/L	Slotted Nut, securing Fulcrum Shafts in Blocks		4	
C.8676/1	Special Washer, under Nuts	20-15	4	
L.104/10U	Split Pin, retaining Slotted Nuts		4	
C.15151	Mounting Plate, on Front Frame Cross Member, for Upper Wishbone Fulcrum Block, front		2	
UFB.131/17R	Bolt, securing Mounting Plates to Cross Member		2	} FOR OTHER FIXINGS PLEASE REFER TO SECTION FOR FRONT FRAME.
C.8667/2	Nut, Self-Locking, on Bolts		2	
C.15089	Fulcrum Block, front, for Upper Wishbone Shafts		2	
UFB.131/10R	Bolt, securing Fulcrum Block to Mounting Plates		6	
FG.105/X	Washer, Spring, on Bolts		6	
C.15153	Shim, behind Front Fulcrum Blocks, for adjustment of Camber Angle		As req'd	
C.15090	Fulcrum Block, rear, for Upper Wishbone Shafts		2	
UFB.131/BR	Bolt, securing Fulcrum Blocks to Side Members		4	
C.15113	Washer Plate, under head of Bolts		2	
C.8667/2	Nut, Self-Locking, on Bolts		4	
C.15154	Shim, behind Rear Fulcrum Blocks, for adjustment of Camber Angle		As req'd	

FRONT SUSPENSION

Part No.	Description	Plate No.	No. per Unit	Remarks
C.15158	LOWER WISHBONE ASSEMBLY, R.H.	20-16	1	
C.15159	LOWER WISHBONE ASSEMBLY, L.H.		1	
C.15373	Lower Wishbone Lever, R.H. Front	20-17	1	
C.15374	Lower Wishbone Lever, L.H. Front		1	
C.15375	Lower Wishbone Lever, rear	20-18	2	
C.15155	Bolt, joining front and rear Wishbone Levers and for fixing of Shock Absorbers	20-19	2	
C.9326	Sleeve, on Bolts	20-20	2	
FW.110/T	Washer, Plain, on Sleeves		2	
UFN.450/L	Nut, on Bolts		2	
C.11193	Washer, Special, under Nuts	20-21	2	
L.104/10U	Split Pin, retaining Nuts		2	
C.15372	Fulcrum Shaft, for Lower Wishbones	20-22	2	
C.15376	Distance Washer, on Fulcrum Shaft, between Rear Lever and Rubber Bush	20-23	2	
C.8673	Rubber Bush, on Fulcrum Shafts	20-24	4	
UFN.756/L	Slotted Nut, securing Fulcrum Shafts in Blocks		4	
C.8693/1	Washer, Special, under Nuts	20-25	4	
L.104/10U	Split Pin, retaining Nuts		4	
C.15088	Fulcrum Block, front, for Lower Wishbone Shafts		2	FOR FIXINGS, PLEASE REFER TO SECTION FOR FRONT FRAME.
C.15091	Fulcrum Block, rear, for Lower Wishbone Shafts		2	
UFB.131/16R	Bolt, securing Rear Fulcrum Blocks to Side Members		4	
C.8737/2	Nut, Self-Locking, on Bolts		4	
C.15071	FRONT SHOCK ABSORBER (640-541-73)	20-26	2	} Fitted from Chassis No. 850001 to 850321. 875001 to 876394. 860001 to 860121. 885001 to 885334.
C.3273	Bush, in bottom "eye" of Shock Absorbers (64541640)	20-27	4	
C.20011	FRONT SHOCK ABSORBER (NFP.64054298)		2	} Fitted to Chassis No. 850322 and subs. 876395 and subs. 860122 and subs. 885335 and subs.
C.3273	Bush, in bottom "eye" of Shock Absorbers (64541640)		4	
C.9380	Bolt, securing Shock Absorbers at top to Front Cross Member		2	
UFN.443/L	Slotted Nut, on Bolts		2	
C.16679	Washer, Plain, under Slotted Nuts		2	
L.103/10U	Split Pin, retaining Slotted Nuts		2	
C.15337	BALL PIN, IN STUB AXLE CARRIER, FOR ATTACHMENT OF LOWER WISHBONES	20-28	2	
C.15339	Spigot, over Ball Pins	20-29	2	} SELECTIVE THICKNESSES. CHOOSE SHIM OF DESIRED THICKNESS.
C.15904	Railco Socket, supporting Lower Ball Pins	20-30	2	
C.15341	Shim (.002" thick) between Stub Axle Carrier and Cap	20-31	As req'd	
C.15342	Shim (.004" thick) between Stub Axle Carrier and Cap	20-31	As req'd	
C.17175	Shim (.010" thick) between Stub Axle Carrier and Cap	20-31	As req'd	
C.15338/1	Cap, under Lower Ball Pins	20-32	2	
C.15344	Bolt, securing Caps to Stub Axle Carriers		8	
C.15343	Tab Washer, securing Bolts	20-33	4	
C.3044/1	Grease Nipple, in Cap, for lubrication of Lower Ball Pins	20-34	2	

FRONT SUSPENSION

Part No.	Description	Plate No.	No. per Unit	Remarks
C.15346	RUBBER GAITER FOR LOWER BALL PINS	20-35	2	
C.15345	Retainer , for Rubber Gaiters	20-36	2	
C.17174	Clip , securing Rubber Gaiters to Stub Axle Carriers	20-37	2	
C.8737/6	Nut , Self-Locking, securing Lower Ball Pin to Stub Axle Carriers		2	
C.794/1	Washer , Plain, under Nuts		2	
C.15329/1	STUB AXLE CARRIER	20-38	2	} Fitted from Chassis No. 850001 to 850047. 875001 to 875132.
C.19224/1	STUB AXLE CARRIER		2	
C.18843	Water Deflector , on Stub Axle Carrier		2	} Fitted to Chassis No. 850048 and subs. 860001 and subs. 875133 and subs. 885001 and subs.
C.19423	STUB AXLE SHAFT	20-39	2	
C.8667/7	Nut , Self-Locking, securing Stub Axle Shaft and Tie Rod Lever to Stub Axle Carriers		2	
C.15350	OIL SEAL FOR STUB AXLE SHAFTS	20-40	2	
C.15351	INNER BEARING, ON STUB AXLE SHAFT, FOR HUBS (TIMKEN LM.67047-LM.67010)	20-41	2	
C.15352	OUTER BEARING, ON STUB AXLE SHAFT, FOR HUBS (TIMKEN LM.11949-LM.11910)	20-42	2	

FRONT SUSPENSION

Part No.	Description	Plate No.	No. per Unit	Remarks
C.15317/1	R.H. FRONT HUB	20-43	1	} Fitted from Chassis No. 850001 to 850047. 875001 to 875132.
C.15318/1	L.H. FRONT HUB		1	
C.19225/1	R.H. FRONT HUB		1	} Fitted to Chassis No. 850048 and subs. 875133 and subs. 860001 and subs. 885001 and subs.
C.19226/1	L.H. FRONT HUB		1	
C.18842	Water Thrower, for Front Hubs		2	
NN.756/L	Slotted Nut, securing Hub to Stub Axle Shafts		2	
C.3400	"D" Washer, under Slotted Nuts	20-44	2	
L.104/10U	Split Pin, retaining Slotted Nuts		2	
C.3076/1	Grease Nipple, in Hubs	20-45	2	
C.1102	R.H. HUB CAP	20-46	1	} NOT FOR USE ON CARS EXPORTED TO GERMANY.
C.1103	L.H. HUB CAP		1	
C.14891	R.H. HUB CAP		1	} REQUIRED ONLY FOR CARS EXPORTED TO GERMANY.
C.14892	L.H. HUB CAP		1	
C.14927	TOOL FOR REMOVING AND FITTING HUB CAPS		1	
C.15334	DISC FOR FRONT BRAKE CALIPERS (VBM.3748)	20-47	2	
C.13546/1	Bolt, securing Discs to Hubs		10	
C.15349	Pinnacle Nut, on Bolts		10	

FRONT SUSPENSION

Part No.	Description	Plate No.	No. per Unit	Remarks
C.15357	R.H. TIE ROD LEVER	20-48	1	
C.15358	L.H. TIE ROD LEVER		1	
C.15378	Bolt , securing Tie Rod Levers to Stub Axle Carriers		2	
FG.108/X	Washer , Spring, on Bolts		2	
C.8667/7	Nut , securing Tie Rod Levers and Stub Axle Shafts to Carriers		2	
C.17653	BRACKET, ON STUB AXLE CARRIERS, RECEIVING OUTER END OF FRONT BRAKES FLEXIBLE HOSE		2	
C.17512	Screw , Set, securing Brackets to Stub Axle Carriers		2	
FG.108/X	Washer , Spring, on Setscrews		2	
C.16629	ANTI-ROLL BAR	20-49	1	
C.16633	Rubber Bush for Anti-Roll Bar	20-50	2	
C.15097	Bracket , holding Rubber Bush	20-51	2	
C.16631	Distance Piece , under Brackets	20-52	2	
UFB.131/18R	Bolt , upper, securing Brackets and Distance Pieces to Front Frame Cross Member		2	
UFB.131/31R	Bolt , lower, securing Brackets, Distance Pieces and lower Fulcrum Blocks to Front Frame Cross Member		2	
C.8667/2	Nut , Self-Locking, on Bolts		4	
C.16630	LINK, BETWEEN ANTI-ROLL BAR AND FRONT LOWER WISHBONE LEVERS	20-53	2	
C.10940	Rubber Bush , in each end of Links	20-54	4	
UFB.143/21R	Bolt , securing Links to Anti-Roll Bar		2	
UFB.143/22R	Bolt , securing Links to Front Lower Wishbone Levers		2	
C.8667/4	Nut , Self-Locking, on Bolts		4	
FW.107/T	Washer , Plain, under Nuts		4	

FRONT SUSPENSION

Part No.	Description	Plate No.	No. per Unit	Remarks
C.9331	FRONT TORSION BAR, R.H.	20-55	1	
C.9332	FRONT TORSION BAR, L.H.		1	
UFB.119/15R	Bolt , locating Front Torsion Bars in front Lower Wish-bone Levers		2	
C.8667/17	Nut , Self-Locking, on Bolts		2	
C.19379	BRACKET, RECEIVING REAR END OF FRONT TORSION BARS	20-56	2	
C.20426	Bolt , securing Brackets and Reaction Plate to rear of Front Frame Side Members		4	
C.8667/3	Nut , Self-Locking, on Bolts		4	

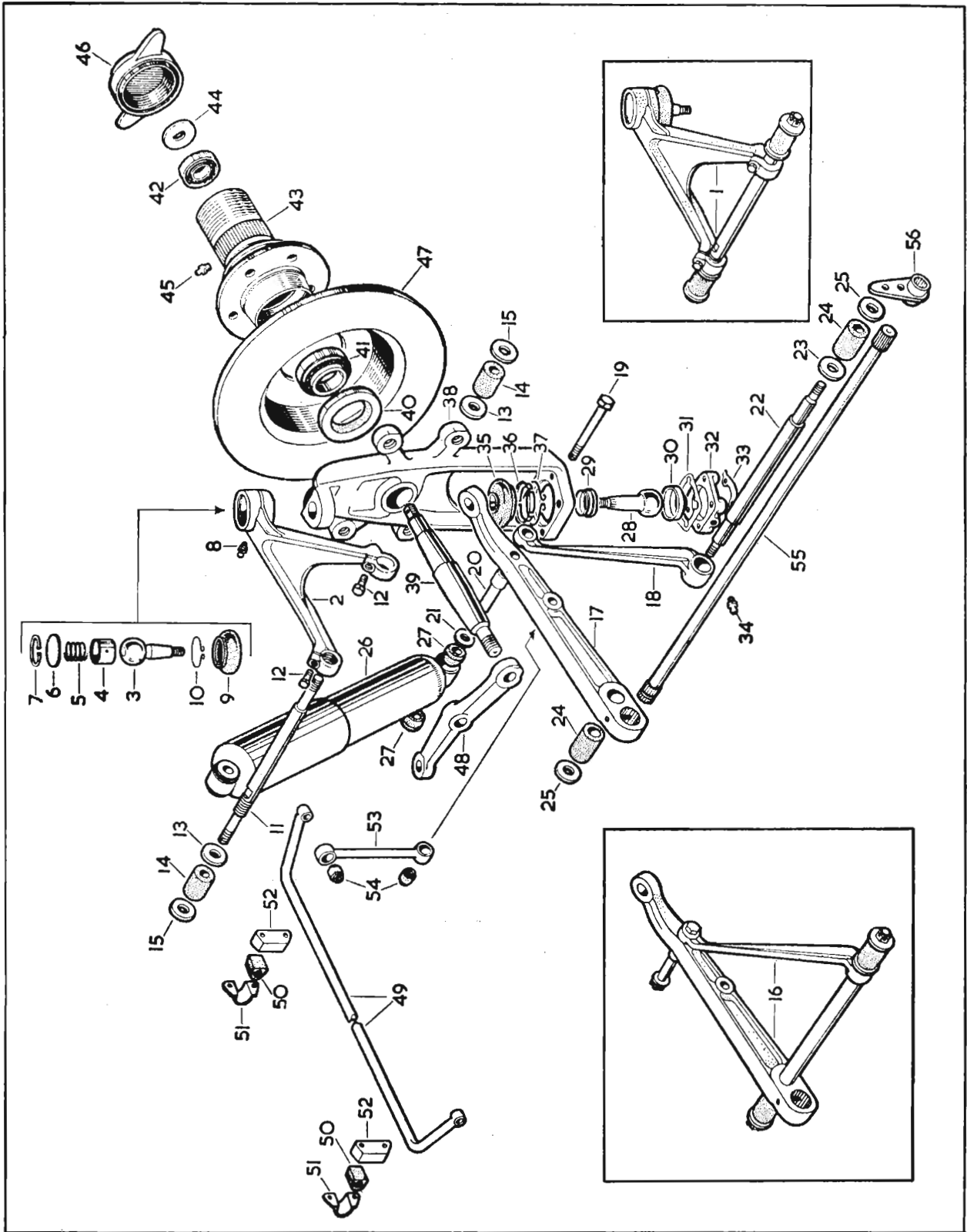


PLATE 20

REAR SUSPENSION

Part No.	Description	Plate No.	No. per Unit	Remarks
C.17014	REAR SUSPENSION CROSS MEMBER ASSEMBLY	21- 1	1	
C.17198	RUBBER MOUNTING FOR ATTACHMENT OF CROSS MEMBER TO BODY	21- 2	4	
UFB.131/7R	Bolt , securing Rubber Mountings to Cross Member		8	
C.8667/2	Nut , Self-Locking, on Bolts and Studs		10	
C.8737/2	Nut , Self-Locking, on Bolts		2	
FW.105/T	Washer , Plain, under Nuts		2	
UFB.131/24R	Bolt , securing Rubber Mountings to Body		8	
C.17228	Packing Piece , on Bolts, at each side of Body Under-frame Members		8	
C.8737/2	Nut , Self-Locking, on Bolts		8	
C.16985	MOUNTING, R.H., FOR INNER FULCRUM SHAFT	21- 3	1	} Fitted from Chassis No. 850001 to 850678. 875001 to 879131. 860001 to 861105. 885001 to 888326.
C.16986	MOUNTING, L.H., FOR INNER FULCRUM SHAFT		1	
C.20481	MOUNTING FOR INNER FULCRUM SHAFTS		2	Fitted to Chassis No. 850679 and subs. 879132 and subs. 861106 and subs. 888327 and subs.
C.17009	Screw , Set, long, securing Fulcrum Mountings to Final Drive Unit at rear		2	
C.17010	Screw , Set, short, securing Fulcrum Mountings to Final Drive Unit at front		2	
C.17722	Shim , .005" thick, under Fulcrum Mountings, for Fulcrum Shaft alignment	21- 4	As req'd	
C.17723	Shim , .010" thick, under Fulcrum Mountings, for Fulcrum Shaft alignment	21- 4	As req'd	
C.836	Wire , locking Setscrews		As req'd	
C.17023	PLATE, BRACING LOWER FACE OF CROSS MEMBER AT CENTRE	21- 5	1	} Fitted from Chassis No. 850001 to 850678. 875001 to 879131. 860001 to 861105. 885001 to 888326.
UFS.131/5R	Screw , Set, securing Plate to Flanges of Cross Member		6	
UFS.131/7R	Screw , Set, securing Plate to Fulcrum Mountings		4	
UFB.131/23R	Bolt , securing Plate and clamping Fulcrum Mountings on Fulcrum Shafts		4	
C.8737/2	Nut , Self-Locking, on Bolts and Setscrews		14	

REAR SUSPENSION

Part No.	Description	Plate No.	No. per Unit	Remarks
C.20651	PLATE, BRACING LOWER FACE OF CROSS MEMBER AT CENTRE		1	} Fitted to Chassis No. 850679 and subs. 879132 and subs. 861106 and subs. 888327 and subs.
UFS.131/5R	Screw , Set, securing Plate to Cross Member and Fulcrum Mountings		14	
FG.105/X	Washer , Spring, at fixings to Fulcrum Mountings		8	
C.8737/2	Nut , Self-Locking, at fixings to Cross Member		6	
C.16987	R.H. WISHBONE ASSEMBLY	21- 6	1	} Fitted from Chassis No. 850001 to 850678. 875001 to 879131. 860001 to 861105. 885001 to 888326.
C.16971	L.H. WISHBONE ASSEMBLY		1	
C.20255	R.H. WISHBONE ASSEMBLY		1	} Fitted to Chassis No. 850679 and subs. 879132 and subs. 861106 and subs. 888327 and subs.
C.20256	L.H. WISHBONE ASSEMBLY		1	
C.17008	FULCRUM SHAFT, FOR INNER MOUNTING OF WISHBONES	21- 7	2	} Fitted from Chassis No. 850001 to 850678. 875001 to 879131. 860001 to 861105. 885001 to 888326.
C.17663	Distance Tube , on Fulcrum Shafts	21- 8	2	
C.17168	Bearing Tube , on Fulcrum Shafts	21- 9	4	
C.17663/1	Distance Tube , on Fulcrum Shafts		2	} Fitted to Chassis No. 850679 and subs. 879132 and subs. 861106 and subs. 888327 and subs.
C.17168/1	Bearing Tube , on Fulcrum Shafts		4	
C.17167	Needle Bearing , on Tubes, for Wishbones	21-10	8	
C.17169	Spacing Collar , between Bearings	21-11	4	
C.17166	Thrust Washer , Inner, at each end of Bearing Tubes	21-12	8	
C.17213	Sealing Ring , on Inner Thrust Washers	21-13	8	
C.17936	Retainer , for Sealing Rings	21-14	8	
C.17165	Thrust Washer , Outer, on Shafts	21-15	8	
C.8667/5	Nut , Self-Locking, on Fulcrum Shafts		4	
C.9048	Grease Nipple , for lubrication of Inner Fulcrum Shaft Bearings	21-16	4	Fitted from Chassis No. 850001 to 850678. 875001 to 879131. 860001 to 861105. 885001 to 888326.
C.3044/1	Grease Nipple , for lubrication of Inner Fulcrum Shaft Bearings		4	Fitted to Chassis No. 850679 and subs. 879132 and subs. 861106 and subs. 888327 and subs.

REAR SUSPENSION

Part No.	Description	Plate No.	No. per Unit	Remarks
C.16624	FULCRUM SHAFT, FOR MOUNTING OF WISHBONE TO HUB CARRIER	21-17	2	
C.16623	Sleeve , on Fulcrum Shafts	21-18	4	
C.16626/1	Shim , between Sleeves, adjusting Bearing End Float (.004" thick)	21-19	As req'd	
C.16626/2	Shim , between Sleeves, adjusting Bearing End Float (.007" thick)	21-19	As req'd	
C.16029	Bearing (Taper Roller) on Fulcrum Shafts (Timken 03162-03062)	21-20	4	
C.16628	Seating Ring , on Fulcrum Shafts, for Oil Seals	21-21	4	
C.16627	Oil Seal , in Hub Carriers, for Fulcrum Shafts	21-22	4	Fitted from Chassis No. 850001 to 850503. 875001 to 877182. 860001 to 860450. 885001 to 885984.
C.20178	Oil Seal , (Felt) in Hub Carriers, for Fulcrum Shafts		4	Fitted to Chassis No. 850504 and subs. 877183 and subs. 860451 and subs. 885985 and subs.
C.20179	Container , for Oil Seal		4	
C.20180	Spacer , between Bearing and Oil Seal Container		4	
C.20182	Retaining Washer , on Seating Ring, for Oil Seal		4	
C.16626	Shim , on Fulcrum Shafts, for centralisation of Hub Carrier in Wishbone Fork (.004" thick)	21-23	As req'd	
C.8667/7	Nut , Self-Locking, securing Fulcrum Shaft in Wishbone Fork	21-24	4	
C.19063	HUB CARRIER	21-25	2	Fitted from Chassis No. 850001 to 850583. 875001 to 877963. 860001 to 860832. 885001 to 886685.
C.20811	HUB CARRIER		2	Fitted to Chassis No. 850584 and subs. 877964 and subs. 860833 and subs. 886686 and subs.
C.3044/1	Grease Nipple , in Carriers, for lubrication of Fulcrum Shaft Bearings	21-26	2	
C.18124	Grease Retaining Cap , at top of Hub Carrier	21-27	2	
C.19064	R.H. REAR HUB	21-28	1	Fitted from Chassis No. 850001 to 850583. 875001 to 877963. 860001 to 860832. 885001 to 886685.
C.19065	L.H. REAR HUB		1	
C.20889	R.H. REAR HUB ASSEMBLY		1	Fitted to Chassis No. 850584 and subs. 877964 and subs. 860833 and subs. 886686 and subs.
C.20813	Water Thrower , on Hub		1	
C.20890	L.H. REAR HUB ASSEMBLY		1	Fitted to Chassis No. 850584 and subs. 877964 and subs. 860833 and subs. 886686 and subs.
C.20813	Water Thrower , on Hub		1	

REAR SUSPENSION

Part No.	Description	Plate No.	No. per Unit	Remarks
C.1102	R.H. HUB CAP	21-29	1	} NOT FOR USE ON CARS EXPORTED TO GERMANY.
C.1103	L.H. HUB CAP		1	
C.14891	R.H. HUB CAP		1	} REQUIRED ONLY FOR CARS EXPORTED TO GERMANY.
C.14892	L.H. HUB CAP		1	
C.14927	TOOL FOR REMOVING AND FITTING HUB CAPS		1	
C.19068	OIL SEAL (OUTER) FOR HUBS	21-30	2	
C.19067	Seating Ring, on Hubs, for Outer Oil Seal	21-31	2	
C.19066	OUTER BEARING (TAPER ROLLER) FOR HUBS (TIMKEN 18690-18620)	21-32	2	
C.15230	INNER BEARING (TAPER ROLLER) FOR HUBS (TIMKEN 18590-18520)	21-33	2	
C.19110/A	Spacer, on Half-Shaft Splined Yoke, for Hub Bearing adjustment (.109" thick)	21-34	2	} SELECTIVE SIZES. Choose Spacer of desired thickness.
C.19110/B	Spacer, on Half-Shaft Splined Yoke, for Hub Bearing adjustment (.112" thick)	21-34	2	
C.19110/C	Spacer, on Half-Shaft Splined Yoke, for Hub Bearing adjustment (.115" thick)	21-34	2	
C.19110/D	Spacer, on Half-Shaft Splined Yoke, for Hub Bearing adjustment (.118" thick)	21-34	2	
C.19110/E	Spacer, on Half-Shaft Splined Yoke, for Hub Bearing adjustment (.121" thick)	21-34	2	
C.19110/F	Spacer, on Half-Shaft Splined Yoke, for Hub Bearing adjustment (.124" thick)	21-34	2	
C.19110/G	Spacer, on Half-Shaft Splined Yoke, for Hub Bearing adjustment (.127" thick)	21-34	2	
C.19110/H	Spacer, on Half-Shaft Splined Yoke, for Hub Bearing adjustment (.130" thick)	21-34	2	
C.19110/J	Spacer, on Half-Shaft Splined Yoke, for Hub Bearing adjustment (.133" thick)	21-34	2	
C.19110/K	Spacer, on Half-Shaft Splined Yoke, for Hub Bearing adjustment (.136" thick)	21-34	2	
C.19110/L	Spacer, on Half-Shaft Splined Yoke, for Hub Bearing adjustment (.139" thick)	21-34	2	
C.19110/M	Spacer, on Half-Shaft Splined Yoke, for Hub Bearing adjustment (.142" thick)	21-34	2	
C.19110/P	Spacer, on Half-Shaft Splined Yoke, for Hub Bearing adjustment (.145" thick)	21-34	2	
C.19110/Q	Spacer, on Half-Shaft Splined Yoke, for Hub Bearing adjustment (.148" thick)	21-34	2	
C.19110/R	Spacer, on Half-Shaft Splined Yoke, for Hub Bearing adjustment (.151" thick)	21-34	2	

REAR SUSPENSION

Part No.	Description	Plate No.	No. per Unit	Remarks
C.15231	OIL SEAL (INNER) FOR HUBS	21-35	2	
C.15232	Seating Ring for Inner Oil Seal, on Half-Shaft Splined Yoke, behind Adjustment Spacer	21-36	2	
C.15226	HALF SHAFT ASSEMBLY	21-37	2	Fitted from Chassis No. 850001 to 850549. 850553 to 850554. 875001 to 877534. 877545 to 877549. 860001 to 860657. 885001 to 886246.
8692	Flange Yoke (K.3-2-GB.469)	21-38	2	
8693	Splined Yoke (K.3-82-GB.3711)	21-39	2	
8694	Journal Assembly , connecting Yokes to Half-Shafts (K.5-GB.10)	21-40	4	
8694	JOURNAL ASSEMBLY CONNECTING YOKES TO HALF SHAFTS (K.5-GB.10)	21-40	4	
7153	Gasket , for Journals (K.3-86-119)		8	
8695	Retainer , for Gaskets (K.3-76-37)		8	
8696	Circlip , retaining Needle Bearings (K.3-7-GB.19)		8	
8406	Grease Nipple , on Journals (94-GB.2204)		4	
C.20398	HALF SHAFT ASSEMBLY (05/500795)		2	Fitted from Chassis No. 850550 to 850552. 877535 to 877544. Also to Chassis No. 850555 and subs. 877550 and subs. 860658 and subs. 886247 and subs.
9406	Flange Yoke (05/202034)		2	
9407	Splined Yoke (05/221027)		2	
9408	Journal Assembly , connecting Yokes to Half Shafts (05/500888)		4	
8406	Grease Nipple , on Journals (05/245068 or 94-GB.2204)		4	
C.16621	Shim , behind Flange Yokes, for adjustment of rear wheel Camber Angle	21-41	As req'd	
C.15349	Nut , Self-Locking, securing Flange Yoke and Brake Disc to Final Drive Unit Flanges		8	
UFN.375/L	Slotted Nut , securing Splined Yoke in Hubs		2	For use only if difficulty is experienced in fitting Split Pin.
C.21490	Slotted Nut , securing Splined Yoke in Hubs		2	
C.16622	Washer , Plain, under Slotted Nuts		2	
L.105/13U	Split Pin , retaining Slotted Nuts		2	
C.17011	REAR SUSPENSION COIL SPRING	21-42	4	Fitted from Chassis No. 850001 to 850136. 875001 to 875541. 860001 to 860007. 885001 to 885038.
C.18977	REAR SUSPENSION COIL SPRING		4	Fitted to Chassis No. 850137 and subs. 875542 and subs. 860008 and subs. 885039 and subs.
C.16908	REAR SHOCK ABSORBER (64054324)	21-43	4	Fitted from Chassis No. 850001 to 850321. 875001 to 876394. 860001 to 860121. 885001 to 885334.
8688	Dust Shield Assembly (64541630)		4	
8689	Rubber Bush , in eyes of Shock Absorber (64541636)		8	

REAR SUSPENSION

Part No.	Description	Plate No.	No. per Unit	Remarks
C.20008	REAR SHOCK ABSORBER (NAP.64054299)		4	} Fitted to Chassis No. 850322 and subs. 876395 and subs. 860122 and subs. 885335 and subs.
8688	Dust Shield Assembly (64541630)		4	
8689	Rubber Bush, in eyes of Shock Absorber (64541636)		8	
C.18560	Seat, for Rear Suspension Coil Spring	21-44	4	Fitted from Chassis No. 850001 to 850136. 875001 to 875541. 860001 to 860007. 885001 to 885038.
C.19820	Seat, for Rear Suspension Coil Spring (64541629)		4	Fitted to Chassis No. 850137 and subs. 875542 and subs. 860008 and subs. 885039 and subs.
8687	Retainer, for Rear Suspension Coil Springs (64540894)	21-45	8	} Fitted from Chassis No. 850001 to 850136. 875001 to 875541. 860001 to 860007. 865001 to 885038.
C.19027	Packing Ring, at top of Rear Suspension Coil Springs	21-46	4	
UFB.143/16R	Bolt, securing Shock Absorbers at top to Rear Suspension Cross Member		4	
FW.107/T	Washer, Plain, on Bolts		4	
C.17012	Sleeve, on Bolts		4	
C.17013	Mounting Shaft, for lower fixing of Shock Absorbers		2	
C.3052	Washer, Plain, on Mounting Shafts		4	
C.8737/4	Nut, Self-Locking, on Bolts and Mounting Shafts		8	
C.17151	REAR ANTI-ROLL BAR	21-47	1	
C.16633	Rubber Bush, for Anti-Roll Bar	21-48	2	
C.3054	Bracket, holding Rubber Bushes	21-49	2	
UFS.137/7R	Screw, Set, securing Brackets to Body		4	
C.726	Washer, Shakeproof, on Setscrews		4	
C.20625	Bracket, holding Rubber Bushes		2	} USE ONLY WHEN $\frac{7}{16}$" SETSCREWS ARE FITTED.
UFS.143/7R	Screw, Set, securing Brackets to Body		4	
C.727	Washer, Shakeproof, on Setscrews		4	
C.17152	LINK, BETWEEN ANTI-ROLL BAR AND RADIUS ARMS	21-50	2	
C.10940	Rubber Bush, in each end of Links	21-51	4	
C.18296	Bolt, Special, securing Links to Anti-Roll Bar		2	
UFB.143/15R	Bolt, securing Links to Radius Arms		2	
C.8667/4	Nut, Self-Locking, on Bolts		4	
FW.107/T	Washer, Plain, under Nuts		4	
C.17202	BUMP STOP, ON BODY UNDERFRAME	21-52	2	
C.8737/2	Nut, Self-Locking, securing Bump Stops		4	

REAR SUSPENSION

Part No.	Description	Plate No.	No. per Unit	Remarks
C.17207	RADIUS ARM ASSEMBLY	21-53	2	
C.17147	Rubber Bush , for front end of Radius Arms		2	
C.17146	Rubber Bush , for rear end of Radius Arms		2	
C.17149	Bolt , Special, securing Radius Arm to Wishbones		2	
C.8737/5	Nut , Self-Locking, on Bolts		2	
C.19031	SAFETY STRAP ASSEMBLY, AT MOUNTING OF RADIUS ARMS TO BODY	21-54	2	
C.19045	Bolt , Special, securing Radius Arms to Body		2	
C.837	Lockwire , for Bolts		As req'd	
UFS.131/6R	Screw , Set, securing Safety Straps to Body		4	
C.8667/2	Nut , Self-Locking, on Setscrews		4	

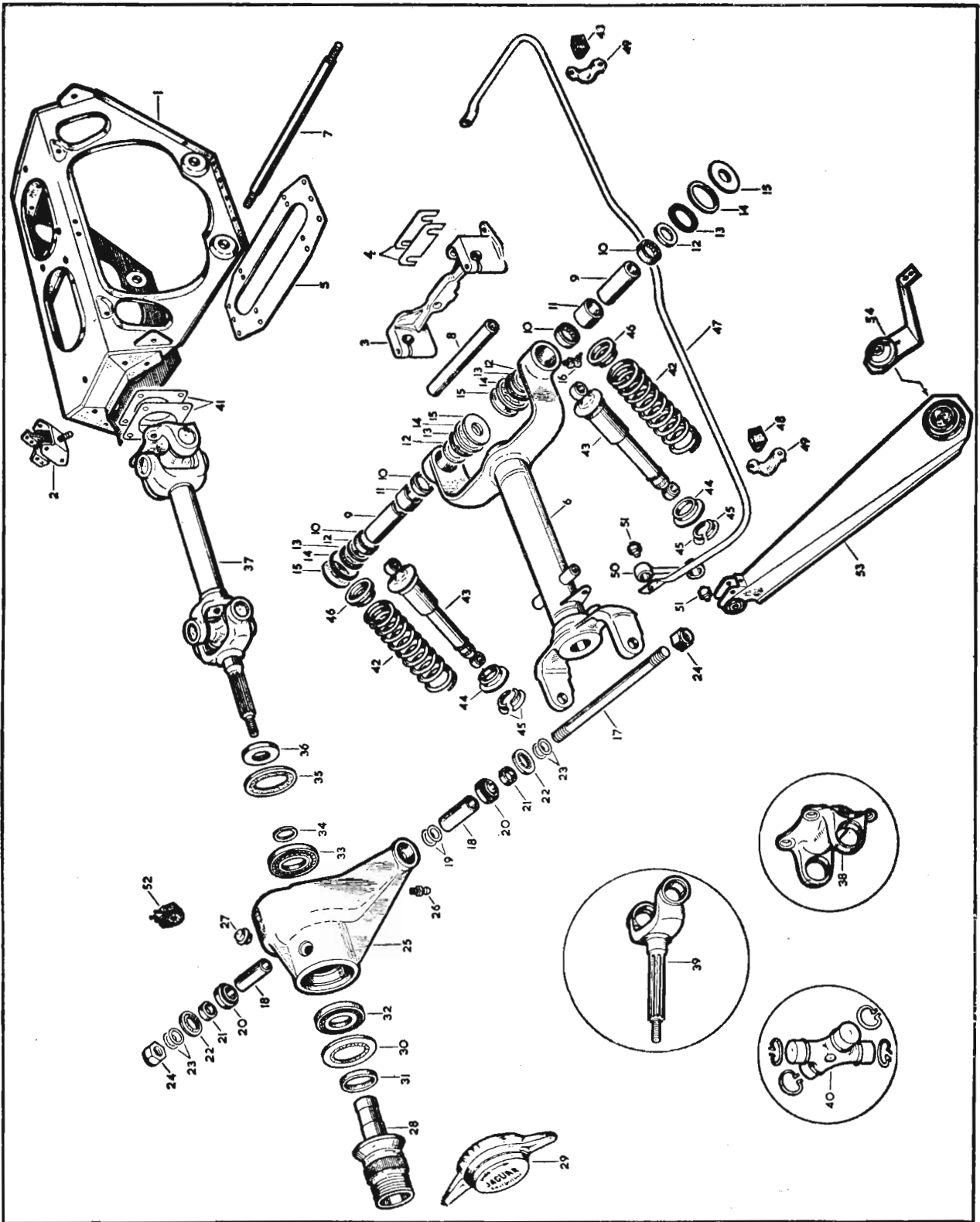


PLATE 21

STEERING UNIT

Part No.	Description	Plate No.	No. per Unit	Remarks
C.15380	RACK & PINION ASSEMBLY, COMPLETE		1	R.H. DRIVE CARS ONLY.
C.15381	RACK & PINION ASSEMBLY, COMPLETE		1	L.H. DRIVE CARS ONLY.
C.15191	Housing Assembly , for Rack and Pinion	30- 1	1	R.H. DRIVE CARS ONLY.
C.15192	Housing Assembly , for Rack and Pinion		1	L.H. DRIVE CARS ONLY.
C.15093	Rack only	30- 2	1	
C.15094	Pinion only	30- 3	1	
C.15203	Bearing (Torrington M.8121) supporting lower end of Pinion	30- 4	1	
C.15204	Bearing (Torrington B.1516) supporting upper end of Pinion	30- 5	1	
C.15205	Thrust Plate , retaining Pinion	30- 6	1	
C.15206	Attachment Bracket , for fixing of Rack and Pinion to Mounting	30- 7	1	R.H. DRIVE CARS ONLY.
C.15207	Attachment Bracket , for fixing of Rack and Pinion to Mounting		1	L.H. DRIVE CARS ONLY.
C.15208	'O' Ring , at upper end of Pinion	30- 8	1	
C.15209	Retainer , for 'O' Ring	30- 9	1	
UFS.131/7R	Screw , Set, securing Thrust Plate, Attachment Bracket and 'O' Ring Retainer to Rack and Pinion Housing	30-10	2	Fitted from Chassis No. 850001 to 850499. 875001 to 877275. 860001 to 860425. 885001 to 886045. Fitted from Chassis No. 850001 to 850558. 875001 to 877578. 860001 to 860691. 885001 to 886305. Fitted from Chassis No. 850500 to 850558. 877276 to 877578. 860426 to 860691. 886046 to 886305. 3 off each fitted to Chassis No. 850559 and subs. 877579 and subs. 860692 and subs. 886306 and subs. Fitted from Chassis No. 850001 to 850403. 875001 to 876846. 860001 to 860231. 875001 to 885735. Fitted to Chassis No. 850404 and subs. 876847 and subs. 860232 and subs. 885736 and subs.
FG.105/X	Washer , Spring, on Setscrews	30-11	2	
C.18965	Screw (Allen Head) securing Thrust Plate, Attachment Bracket and 'O' Ring Retainer to Rack and Pinion Housing		1	
C.725	Washer , Shakeproof, on Allen Head Screw		1	
C.20107	Stud , in Pinion Housing, securing Thrust Plate, Attachment Bracket and 'O' Ring Retainer to Rack and Pinion Housing		2	
C.8737/2	Nut , Self-Locking, on Studs		2	
C.3363/1	Grease Nipple , on Rack and Pinion Housing	30-12	1	
C.15197	Plunger , at top of Housing, applying Friction to Rack	30-13	1	
C.20145	Plunger , at top of Housing, applying Friction to Rack		1	
C.15199	Shim (.004" thick) at top of Plunger	30-14	As req'd	
C.15198	Shim (.010" thick) at top of Plunger	30-14	As req'd	
C.15200	Plate Spring , under Cover	30-15	1	
C.15201	Cover , retaining Plunger Shims and Plate Spring	30-16	1	
C.20146	Plate Spring , under Cover		1	
C.20147	Cover , retaining Plunger Shims and Plate Spring		1	
C.15202	Circlip , securing Cover	30-17	1	
C.15210	Bush , in Tube, for Rack	30-18	1	
C.15418	Ball Pin and Tie Rod , at ends of Rack	30-19	2	
C.10026	Housing , for Ball Pins	30-20	2	
C.7599	Socket , under Ball Pins	30-21	2	
C.8472	Spring , behind Sockets	30-22	2	
C.15407	Nut , locking Ball Pin Housings to Rack	30-23	2	
C.15408	Tab Washer , locking Nuts	30-24	2	
C.15409	Nut , locking Tie Rod Ends to Tie Rods	30-25	2	
C.6623	Bellows , at each end of Rack and Pinion Housing	30-26	2	
C.15211	Tie Wire , securing Bellows at pinion end of Housing	30-27	1	
C.2905/4	Clip , securing Bellows to Rack Tube	30-28	1	
C.2905/2	Clip , securing Bellows to Ball Pins	30-29	2	FITTED AT L.H. SIDE ON R.H. DRIVE CARS AND R.H. SIDE ON L.H. DRIVE CARS.
C.15410	End Assembly , for Tie Rods	30-30	2	

STEERING UNIT

Part No.	Description	Plate No.	No. per Unit	Remarks
C.15410	END ASSEMBLY FOR TIE RODS	30-30	2	
C.3363/1	Grease Nipple , for lubrication of Ball Joint in Tie Rod Ends	30-31	2	
C.15414	Gaiter , protecting Ball Joints	30-32	2	
C.15416	Retainer , inside Gaiters	30-33	2	
C.15415	Clip , securing Gaiter to Tie Rod Ends	30-34	2	
UFN.450/L	Slotted Nut , securing Tie Rod Ends to Tie Rod Levers	30-35	2	
L.104/10U	Split Pin , retaining Slotted Nuts	30-36	2	
C.15092	RUBBER MOUNTING FOR RACK AND PINION ASSEMBLY	30-37	2	Fitted from Chassis No. 850001 to 850558. 875001 to 877578. 860001 to 860691. 885001 to 886305.
C.20087	RUBBER MOUNTING FOR RACK AND PINION ASSEMBLY		2	Fitted to Chassis No. 850559 and subs. 877579 and subs. 860692 and subs. 886306 and subs.
UFS.131/6R	Screw, Set , securing Rack and Pinion Assembly to Rubber Mountings		2	
UFS.131/24R	Screw, Set , securing Rubber Mounting to Front Frame Cross Member		1	} FITTED AT R.H. SIDE ON R.H. DRIVE CARS AND L.H. SIDE ON L.H. DRIVE CARS.
UFB.131/13R	Bolt , securing Rubber Mounting to Front Frame Cross Member		1	
C.18901	Distance Tube , on Bolt and Setscrew		2	
C.15183	Washer , Special, on Bolt and Setscrew		2	
UFS.131/24R	Screw, Set , securing Rubber Mounting to Front Frame Cross Member		1	} FITTED AT R.H. SIDE ON L.H. DRIVE CARS AND L.H. SIDE ON R.H. DRIVE CARS.
UFS.131/12R	Screw, Set , securing Rubber Mounting to Front Frame Cross Member		1	
UFN.131/L	Nut , locking Setscrews		2	
C.725	Washer , Shakeproof, under Nuts		2	
C.15183	Washer , Special, under head of Setscrews		2	
C.8667/2	Nut , Self-Locking, on Bolts and Setscrews and on Studs of Rubber Mountings		12	

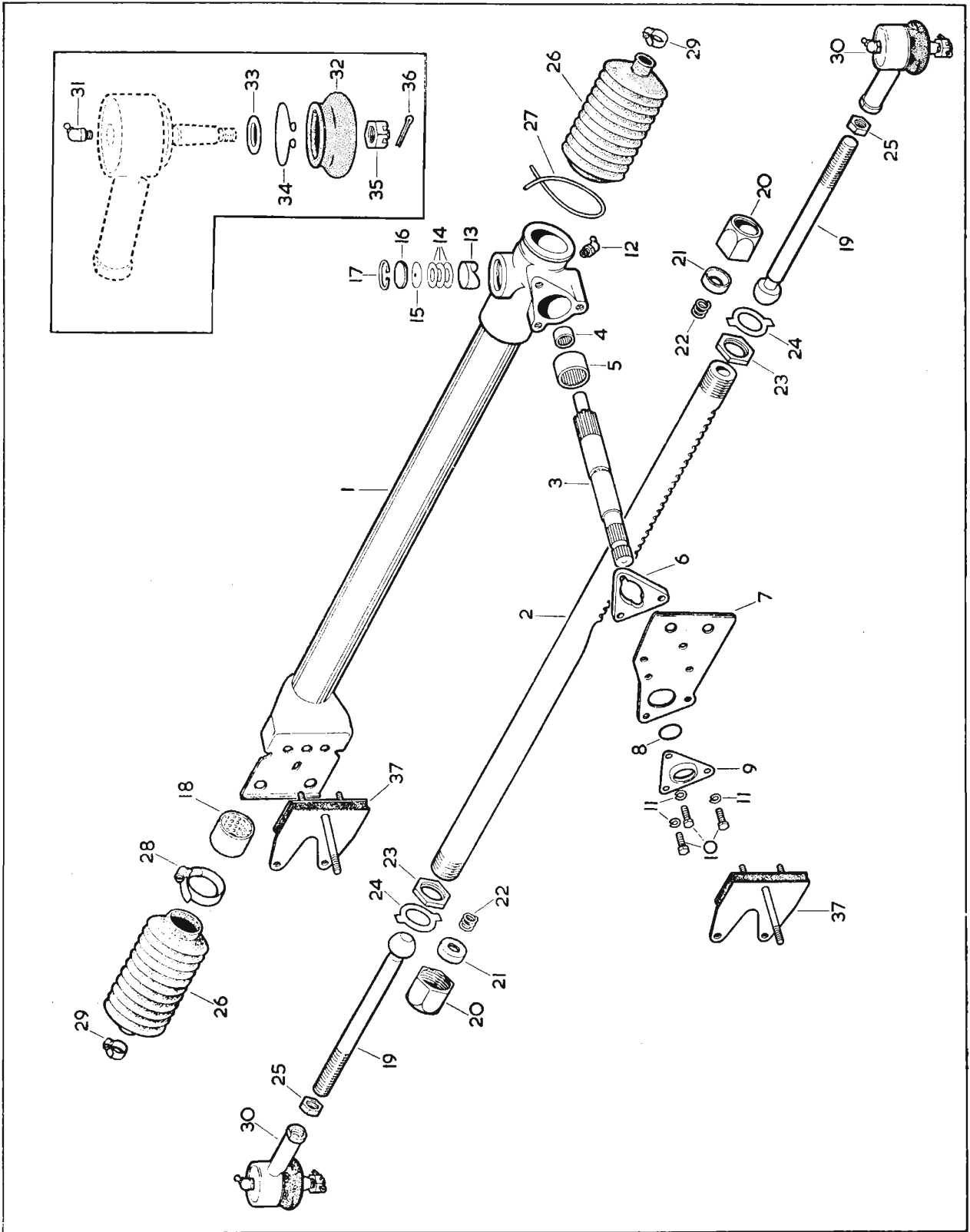


PLATE 30

STEERING COLUMN

Part No.	Description	Plate No.	No. per Unit	Remarks
C.17759	UPPER STEERING COLUMN ASSEMBLY		1	Fitted from Chassis No. 850001 to 850587. 875001 to 878036. 860001 to 860862. 885001 to 886753. SEE EXPORT GERMANY C.20157.
C.17648	Outer Tube Assembly	31- 1	1	
C.15179	Inner Column, Female	31- 2	1	
C.19131	Felt Bearing, upper	31- 3	1	
C.13855	Felt Bearing, lower	31- 4	1	
C.10790	Washer, retaining Felt Bearings	31- 5	4	
C.10788	Spring Clip, retaining Washers	31- 6	2	
C.15619	Inner Column, Male	31- 7	1	
C.16676	Stop Button, for Male Inner Column	31- 8	1	
C.15419	Locknut, clamping Male Inner Column on Telescopic Device	31- 9	1	
8671	Split Collet, inside Locknut (complete with Circlip C.18235)	31-10	1	
C.18235	Circlip, for Split Collet	31-11	1	
C.20157	UPPER STEERING COLUMN ASSEMBLY		1	EXPORT GERMANY. Fitted from Chassis No. 876665 to 878036. 885567 to 886753.
C.20158	Outer Tube Assembly		1	
C.20160	Inner Column, Female		1	
C.20090	Bearing, Upper (Vulkollan)		1	
C.20091	Bearing, Lower (Vulkollan)		1	
C.15619	Inner Column, Male		1	
C.16676	Stop Button, for Male Inner Column		1	
C.15419	Locknut, clamping Male Inner Column on Telescopic Device		1	
8671	Split Collet, inside Locknut (complete with Circlip C.18235)		1	
C.18235	Circlip, for Split Collet		1	
C.20239	Lock and Ignition Switch Assembly (Neiman)		1	
C.20557	UPPER STEERING COLUMN ASSEMBLY		1	Fitted to Chassis No. 850588 and subs. 878037 and subs. 860863 and subs. 886754 and subs.
C.20558	Outer Tube Assembly		1	
C.20160	Inner Column, Female		1	
C.20090	Bearing, Upper (Vulkollan)		1	
C.20091	Bearing, Lower (Vulkollan)		1	
C.15619	Inner Column, Male		1	
C.16676	Stop Button, for Male Inner Column		1	
C.15419	Locknut, clamping Male Inner Column on Telescopic Device		1	
8671	Split Collet, inside Locknut (complete with Circlip C.18235)		1	
C.18235	Circlip, for Split Collet		1	
C.20171	Lock and Ignition Switch Assembly (Waso Werkin)		1	
C.16884	HORN SLIP RING ASSEMBLY (38274/A)		1	
C.16876	Contact Pin Assembly (54300581)	31-12	1	
C.16879	Insulating Bush, upper, for Contact Pin (54300814)	31-13	1	
C.16880	Spring, under Insulating Bush (324866)	31-14	1	
C.16881	Washer, under Spring (143276)	31-15	1	
C.16882	Insulating Bush, lower, for Contact Pin (54300582)	31-16	1	
C.16886	Contact Nipple, between Pin and Slip Ring (54300584)	31-17	1	
C.16887	Spring, for Nipple (54300585)	31-18	1	
8400	Rotor Assembly (comprising top and bottom Rotors) (54300829)	31-19	1	
C.10317	Slip Ring only (348276)	31-20	1	
C.17685	Sleeve, insulating lower end of Contact Pin from Female Inner Column	31-21	1	

STEERING COLUMN

Part No.	Description	Plate No.	No. per Unit	Remarks
C.8157	CONTACT ASSEMBLY FOR HORN SLIP RING (348262/A)		1	
C.8158	Contact Holder (348269)	31-22	2	
C.8159	Contact (348268)	31-23	1	
C.8161	Bolt, securing Contact to Holders (139444)	31-24	1	
C.8160	Nut, on Bolts (348270)	31-25	1	
C.10650	Sleeve, insulating Contacts (348272)	31-26	1	
C.13024	Insulating Strip (Fibre) protecting Contact from above (348486)	31-27	1	
C.12194	Eyelet, for Cable connection to Earth Contact (188818)		1	
C.11746	EARTH CONTACT FOR OPERATION OF HORN (348313)	31-28	1	
UCS.313/3H	Screw, Set, securing Contacts to Bracket on Outer Tube		1	
UCN.113/L	Nut, on Setscrew		1	
C.721	Washer, Shakeproof, under Nut		1	
C.16069	DIRECTION INDICATOR CONTROL ASSEMBLY (34361-37.SA)	31-29	1	
C.16451	STRIKER FOR RETURN OF DIRECTION INDICATOR TO NEUTRAL POSITION (54332927)	31-30	1	
C.14007/1	Screw, Set, securing Striker		2	
C.723/A	Washer, Shakeproof, on Setscrews		2	
C.3377	Washer, Plain, under Shakeproof Washers		2	
C.15168	STEERING WHEEL ASSEMBLY (16")	31-31	1	SUPERSEDED BY C.20267.
C.20267	STEERING WHEEL ASSEMBLY (16")		1	SUPERSEDES C.15168.
C.18304	Grub Screw, in Hub of Steering Wheel	31-32	3	
C.7878	Split Cone, on Male Inner Column, for seating of Steering Wheel	31-33	2 halves	
C.7879	Nut, securing Steering Wheel to Male Inner Column	31-34	1	
C.15885	Washer, Plain, under Nut	31-35	1	
C.11820/7	Palnut, locking Nut	31-36	1	
C.17684	BRACKET, UPPER, MOUNTING UPPER STEERING COLUMN TO DASH	31-37	1	
UFS.131/4R	Screw, Set, securing Bracket to Dash		4	
FG.105/X	Washer, Spring, on Setscrews		4	
UFB.125/18R	Bolt, securing Upper Steering Column in Bracket and for locking of Steering Wheel Rake adjustment		1	
C.17815	Spacing Tube, on Bolt		1	
C.8667/1	Nut, Self-Locking, on Bolt		1	
BD.541/20	Washer, Plain, under Nut		1	

STEERING COLUMN

Part No.	Description	Plate No.	No. per Unit	Remarks
C.15181	BRACKET, LOWER, MOUNTING UPPER STEERING COLUMN TO DASH	31-38	1	
UFS.131/6R FG.105/X	Screw, Set, securing Bracket to Dash Washer, Spring, on Setscrews		4 4	
UFB.131/12R	Bolt, through Bracket, pivoting Upper Steering Column for Rake Adjustment		2	
C.15183	Plain Washer, under head of Bolts		2	
C.15182	Rubber Bush, on Bolts		2	
C.8667/2	Nut, Self-Locking, on Bolts		2	
C.15163	LOWER STEERING COLUMN ASSEMBLY	31-39	1	Fitted from Chassis No. 850001 to 850547. 875001 to 877487. 860001 to 860646. 885001 to 886213. C.17437 NOT SUPPLIED
C.17437	Universal Joint Assembly, at lower end of Steering Column		1	
C.20487	LOWER STEERING COLUMN ASSEMBLY (O1/500973)		1	Fitted to Chassis No. 850548 and subs. 877488 and subs. 860647 and subs. 886214 and subs. C.17437 NOT SUPPLIED
C.17437	Universal Joint Assembly, at lower end of Steering Column		1	
C.17469	Screw, Allen Head, securing lower Universal Joint to Pinion Shaft		1	
FG.104/X	Washer, Spring, on Screw		1	
UFB.131/14R	Bolt, securing upper Universal Joint to lower and upper Steering Columns		2	
UFN.131/L	Nut, on Bolts		2	
FG.105/X	Washer, Spring, under Nuts		2	
C.17437	UNIVERSAL JOINT ASSEMBLY AT LOWER END OF LOWER STEERING COLUMN (SK.3377/B)		1	ASSEMBLY NOT SUPPLIED. USE INDIVIDUAL ITEMS.
8699	End Yoke, for Universal Joint (KO.5-4-GB.1373)	31-40	1	
5426	Journal Assembly for Universal Joint (KO.5-GB.1)	31-41	1	
C.15180	UNIVERSAL JOINT ASSEMBLY AT UPPER END OF LOWER STEERING COLUMN (SK.2938/F)	31-42	1	
8700	End Yoke, for Universal Joint (KO. 5-4-GB.1151)	31-43	2	
5426	Journal Assembly, connecting Yokes (KO. 5-GB.1)	31-44	1	

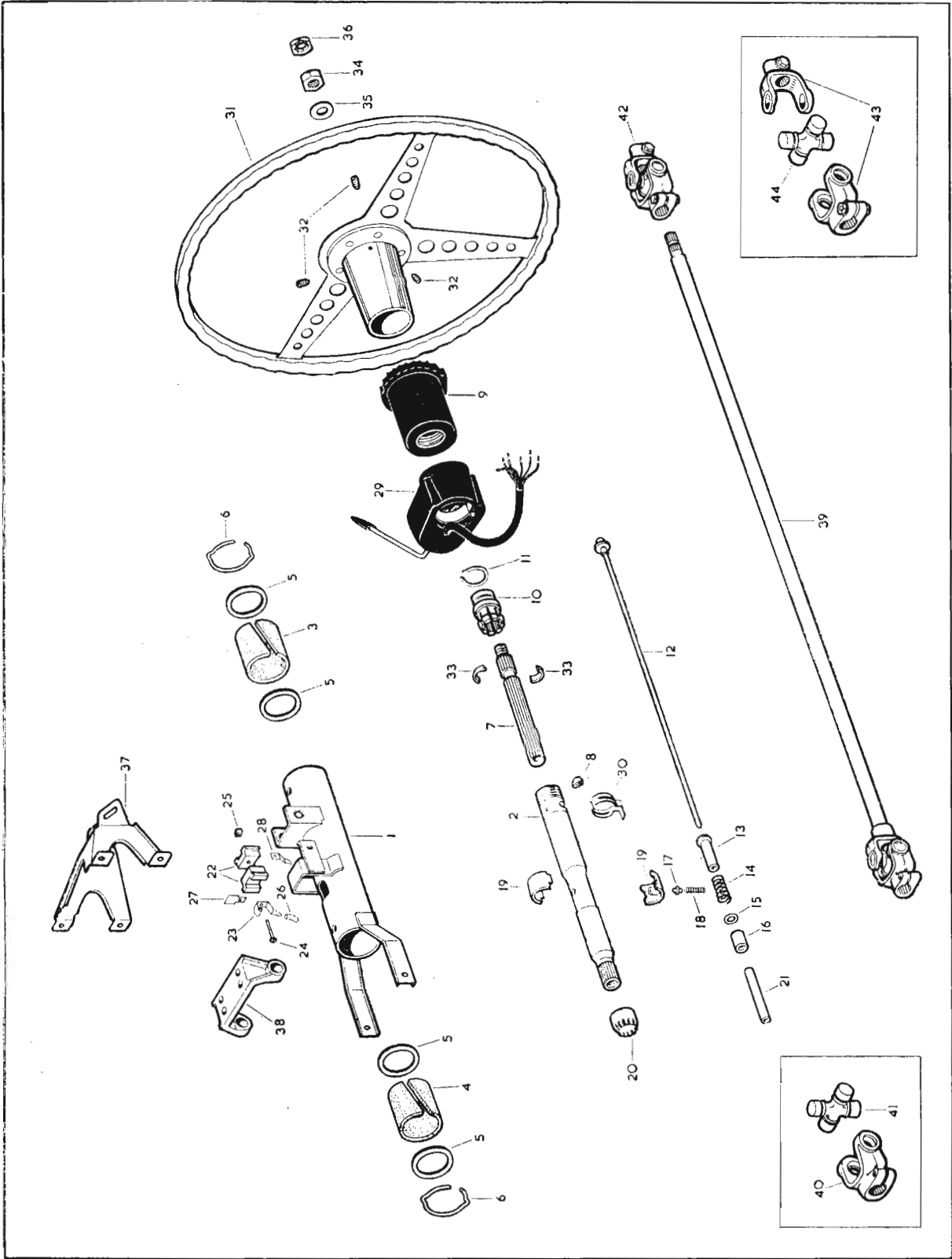


PLATE 31

ROAD WHEELS

Part No.	Description	Plate No.	No. per Unit	Remarks
C.14766	WIRE SPOKE ROAD WHEEL (PAINTED STOVED ALUMINIUM)		5	
7784	Long Spoke		120	
7790	Short Spoke		240	
C.5604	Nipple, for Spokes		360	
C.14802	WIRE SPOKE ROAD WHEEL (CHROMIUM)		5	} SUPPLIED TO SPECIAL ORDER ONLY.
7796	Long Spoke (Chromium Plated)		120	
7801	Short Spoke (Chromium Plated)		240	
C.9144	Nipple, for Spokes		360	
C.17422	TYRE FOR ROAD WHEELS (6.40" × 15" DUNLOP RS.5)		5	
C.12567	TUBE FOR TYRES (6.40" × 15")		5	
BALANCE WEIGHTS FOR ROAD WHEELS				
C.3985	Balance Weight (½ Oz.)			As req'd
C.3986	Balance Weight (1 Oz.)			As req'd
C.3987	Balance Weight (1½ Oz.)			As req'd
C.3988	Balance Weight (2 Oz.)			As req'd
C.3989	Balance Weight (2½ Oz.)			As req'd
C.3990	Balance Weight (3 Oz.)			As req'd

ROAD WHEELS

Part No.	Description	Plate No.	No. per Unit	Remarks
THE UNDERMENTIONED ITEMS ARE FOR USE ONLY WHEN RACING				
C.18923	RACING TYRE FOR FRONT ROAD WHEELS (6.00" × 15" DUNLOP R.5)		2	} SUPPLIED TO SPECIAL ORDER ONLY, AS ADDITIONAL ITEMS TO STANDARD EQUIPMENT.
C.18924	TUBE FOR FRONT RACING TYRES (6.00" × 15")		2	
C.18922	RACING REAR ROAD WHEEL (WIRE SPOKE, PAINTED STOVED ALUMINIUM)		2	
8822	Front Spoke (SP.288/103)		48	
8823	Centre Spoke (SP.288/104)		48	
8824	Rear Spoke (SP.288/105)		48	
C.9144	Nipple, for Spokes		144	
C.18931	RACING TYRE FOR REAR ROAD WHEELS (6.50" × 15" DUNLOP R.5)		2	
C.18932	TUBE FOR REAR RACING TYRES (6.50" × 15")		2	

PROPELLER SHAFT

Part No.	Description	Plate No.	No. per Unit	Remarks
C.15115	PROPELLER SHAFT COMPLETE		1	Fitted from Chassis No. 850001 to 850103. 875001 to 875495. 860001 to 860005. 885001 to 885025.
12	Flange Yoke (K.2-2-239)	18- 1	2	
46	Journal Assembly, connecting Yokes to Propeller Shaft (K.5-L.4)	18- 2	2	
13	Sleeve Yoke (K.2-3-68)	18- 3	1	
26	Dust Cap (3-14-39)	18- 4	1	
27	Washer (Steel) in Dust Cap (3-15-33)	18- 5	1	
28	Washer (Cork) in Dust Cap (K.3-16-43)	18- 6	1	
46	JOURNAL ASSEMBLY, CONNECTING FLANGE YOKES TO PROPELLER SHAFT (K.5-L.4)	18- 2	2	
8406	Grease Nipple, on Journals (94-GB.2204)		2	
C.19827	Bolt, securing Propeller Shaft to Gearbox and Final Drive Unit Flanges	18- 7	8	
C.8737/3	Nut, Self-Locking, on Bolts	18- 8	8	
C.3044/1	Grease Nipple, on Sleeve Yoke (Tec.NA.6656)	18- 9	1	
C.17694	PROPELLER SHAFT COMPLETE (60-1336)		1	Fitted from Chassis No. 850104 to 850479. 875496 to 877044. 860006 to 860386. 885026 to 885887.
8404	Flange Yoke (2-2-329C)		2	
8405	Journal Assembly, connecting Yokes to Propeller Shaft (K.5.LGB.74)		2	
8407	Sleeve Yoke (2-3-128X)		1	
26	Dust Cap (3-14-39)		1	
27	Washer (Steel) in Dust Cap (3-15-33)		1	
28	Washer (Cork) in Dust Cap (K.3-16-43)		1	
8405	JOURNAL ASSEMBLY, CONNECTING FLANGE YOKES TO PROPELLER SHAFT (K.5-LGB.74)		2	
8406	Grease Nipple, on Journals (94-GB.2204)		1	
C.19827	Bolt, securing Propeller Shaft to Gearbox and Final Drive Unit Flanges		8	
C.8737/3	Nut, Self-Locking, on Bolts		8	
8406	Grease Nipple, on Sleeve Yoke (94-GB.2204)		1	
C.19875	PROPELLER SHAFT COMPLETE (61-1495)		1	Fitted to Chassis No. 850480 and subs. 877045 and subs. 860387 and subs. 885888 and subs.
8404	Flange Yoke (K.2-2-329/C)		2	
9409	Journal Assembly, connecting Yokes to Propeller Shaft (K.5-GB.117)		2	
9410	Sleeve Yoke (K.2-3-GB.3758)		1	
9411	Gaiter, for Sliding Joint (94-GB.4007)		1	
9412	Ring (Rubber) retaining Gaiter to Shaft (K.3-86-GB.139)		2	
9413	Ring (Steel) retaining Gaiter to Sleeve Yoke (94-GB.3951)		1	
C.19827	Bolt, securing Propeller Shaft to Gearbox and Final Drive Unit Flanges		8	
C.8737/3	Nut, Self-Locking, on Bolts		8	

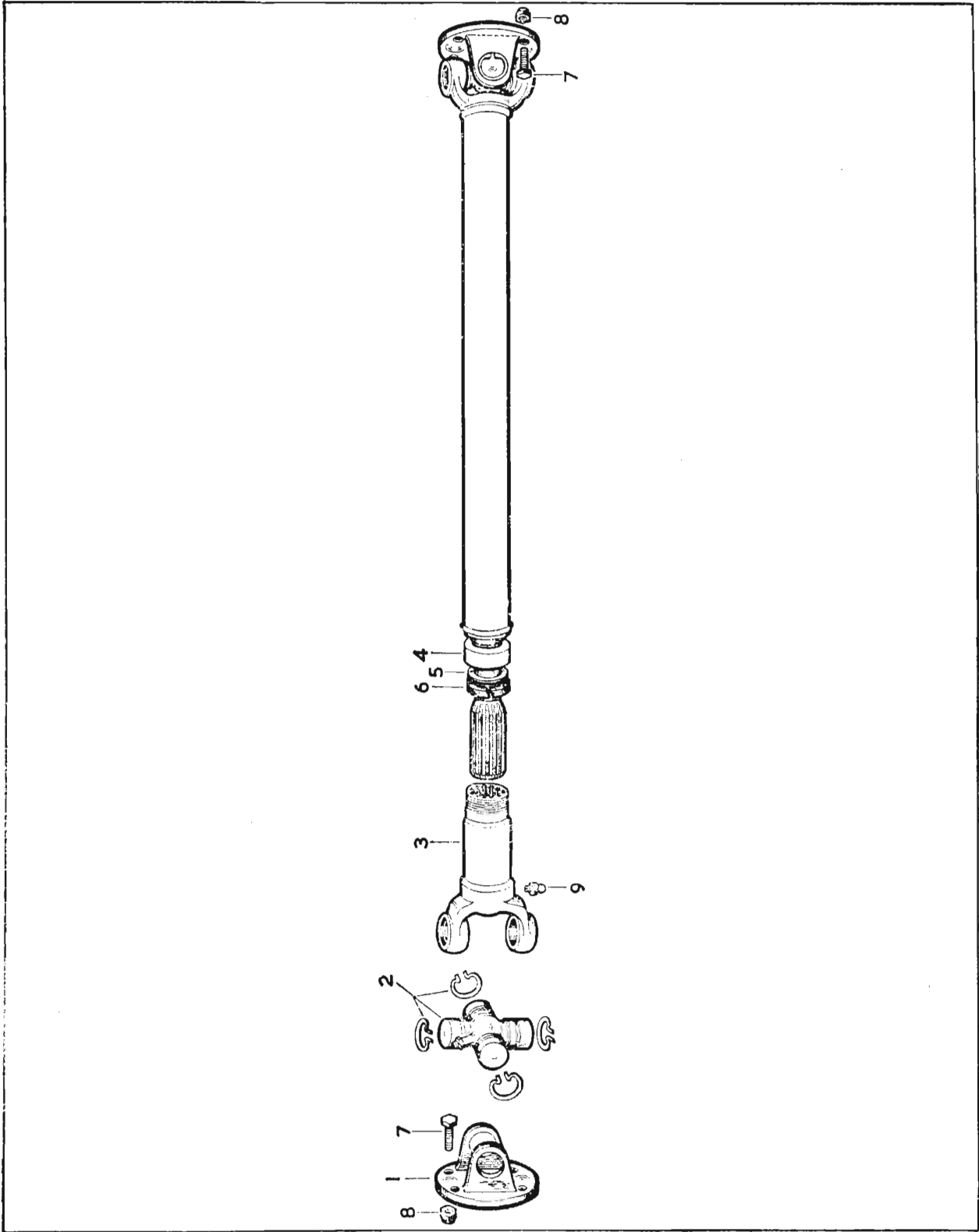


PLATE 18

FINAL DRIVE UNIT

Part No.	Description	Plate No.	No. per Unit	Remarks
C.18984	FINAL DRIVE UNIT ASSEMBLY (4HU-001/14D) (RATIO 3.07 : 1)		1	
8487	Gear Carrier Sub Assembly (4HU-061/7)	19- 1	1	
6114	Screw, Set, securing Differential Bearing Caps (8B-NC.36)	19- 2	4	
8489	Lockwasher, on Setscrews (8LW-115)	19- 3	4	
8507	Cover, for Carrier (4HA-010/9)	19- 4	1	
3823	Plug, for Filler and Drain Apertures (HA-059)	19- 5	2	
3931	Gasket, under Cover (4HA-026)	19- 6	1	
8509	Elbow, in Cover (3HA-098/4)	19- 7	1	
8508	Breather, at top of Elbow (3HA-098/8)	19- 8	1	
CS.131/5D	Screw, Set, securing Cover to Carrier (5B-NC.10)	19- 9	10	
47	Lockwasher, on Setscrews (5LW-95)	19-10	10	
8488	Differential Assembly (4HU-082/8)		1	
3845	Roller Bearing, on Differential Case (Timken 24780-24721) (2HA-024)	19-11	2	
8825	Crown Wheel and Pinion (Ratio 3.07 : 1) (4HA-105/25)	19-12	1	
6301	Screw, Set, securing Crown Wheel to Differential (3HA-075/6)	19-13	10	
7384	Lock Strap, securing Crown Wheel Setscrews (4HA-074/4)	19-14	5	
3844	Roller Bearing, at inner end of Pinion (Timken 31593-31520) (2HA-023)	19-15	1	
3860	Shim, inner, adjusting Pinion (.003" thick) (2HA-043)	19-16	As req'd	} USE SHIMS OF DESIRED THICKNESS.
3861	Shim, inner, adjusting Pinion (.005" thick) (2HA-044)	19-16	As req'd	
3862	Shim, inner, adjusting Pinion (.010" thick) (2HA-045)	19-16	As req'd	
8029	Distance Washer, behind outer Pinion Shims (4HA-115)	19-17	1	
3856	Shim, outer, adjusting Pinion (.003" thick) (2HA-039)	19-18	As req'd	} USE SHIMS OF DESIRED THICKNESS.
3857	Shim, outer, adjusting Pinion (.005" thick) (2HA-040)	19-18	As req'd	
3858	Shim, outer, adjusting Pinion (.010" thick) (2HA-041)	19-18	As req'd	
3859	Shim, outer, adjusting Pinion (.030" thick) (2HA-042)	19-18	As req'd	
3843	Roller Bearing, at outer end of Pinion (Timken 02872-02820) (2HA-022)	19-19	1	
3934	Oil Slinger, on Pinion (4HA-036)	19-20	1	
3840	Oil Seal, on Pinion (2HA-019)	19-21	1	
3841	Gasket, for Pinion Oil Seal (2HA-020)	19-22	1	
3879	Companion Flange Assembly (2HA-083)	19-23	1	
6126	Nut, securing Companion Flange to Pinion (12LN-NF.9)	19-24	1	
6128	Washer, under Nut (12W-24)	19-25	1	
8494	Drive Shaft (4HU-005/4)	19-26	2	
8495	Roller Bearing, on Drive Shafts (Timken 19150-1926) (4HU-025)	19-27	4	
8493	Spacing Collar, between Roller Bearings (4HU-018)	19-28	2	
8490	Shim, adjusting Bearings (.003" thick) (4HU-116)	19-29	As req'd	} USE SHIMS OF DESIRED THICKNESS.
8491	Shim, adjusting Bearings (.005" thick) (4HU-116/1)	19-29	As req'd	
8492	Shim, adjusting Bearings (.010" thick) (4HU-116/2)	19-29	As req'd	
8499	Housing for Drive Shaft Bearings (4HU-014/1)	19-30	2	
8950	'O' Ring, on Drive Shaft Bearing Housings (4HA-079/2)	19-30A	2	
8501	Shim, under Bearing Housings, for Differential adjustment (.003" thick) (4HU-050/3)	19-31	As req'd	} USE SHIMS OF DESIRED THICKNESS.
8502	Shim, under Bearing Housings, for Differential adjustment (.005" thick) (4HU-051/3)	19-31	As req'd	
8503	Shim, under Bearing Housings, for Differential adjustment (.010" thick) (4HU-052/3)	19-31	As req'd	
8504	Shim, under Bearing Housings, for Differential adjustment (.030" thick) (4HU-053/3)	19-31	As req'd	
8505	Bolt, securing Bearing Housings to Gear Carrier (7B-NC.24)	19-32	10	
8506	Lockwasher, on Bolts (7LW-13)	19-33	10	
8436	Oil Seal, in Bearing Housings, for Driving Flange (4HA-079/3)	19-34	2	
8500	Flange, on Drive Shafts (4HU-077)	19-35	2	
8496	Nut, securing Flange to Drive Shafts (4HU-089/1)	19-36	2	
8498	Tab Washer, locking Nuts (4HU-091/1)	19-37	2	
8497	Special Washer, under Tab Washers (16WV-28)	19-38	2	
8510	Bolt, in Flanges, for attachment of Brake Discs and Half-Shafts (4HU-055/4)	19-39	8	
C.15349	Nut, Self-Locking, on Bolts (7LN-NF.75)	19-40	8	
C.17024	Bolt, securing Final Drive Unit to Rear Suspension Cross Member		4	
C.836	Lockwire, for Bolts		As req'd	

FINAL DRIVE UNIT

Part No.	Description	Plate No.	No. per Unit	Remarks
C.16618	FINAL DRIVE UNIT ASSEMBLY (4HU-001/14A) (RATIO 3.54 : 1)		1	ALTERNATIVE RATIO.
6305	Crown Wheel and Pinion (Ratio 3.54 : 1) (4HA-105/9A)		1	
All other items are as for Final Drive Unit C.15222.				
C.16619	FINAL DRIVE UNIT ASSEMBLY (4HU-001/14C) (RATIO 2.93 : 1)		1	COMPLETE FINAL DRIVE UNIT ASSEMBLY NO LONGER AVAILABLE
6303	Crown Wheel and Pinion (Ratio 2.93 : 1) (4HA-105/6B)		1	
All other items are as for Final Drive Unit C.15222.				
C.15522	FINAL DRIVE UNIT ASSEMBLY (4HU-001/14) (RATIO 3.31 : 1)		1	ALTERNATIVE RATIO.
6304	Crown Wheel and Pinion (Ratio 3.31 : 1) (4HA-105/8A)		1	
8488	DIFFERENTIAL ASSEMBLY, COMPLETE (4HU-082/8)		1	
7887	Case only, for Differential (4HA-006/9)	19-41	2 halves	
7683	Friction Plate (flat) (4HA-111/3)	19-42	4	
8397	Friction Plate (dished) (4HA-111/4)	19-43	2	
7684	Friction Disc (4HA-112)	19-44	4	
7682	Ring, for Side Gear (4HA-109/1)	19-45	2	
7681	Side Gear (4HA-007/1)	19-46	2	
7685	Pinion Mate Gear (4HA-008)	19-47	4	
7686	Shaft, for Pinion Mate Gears (4HA-012/1)	19-48	2 halves	
7680	Bolt, securing Differential Casing (6B-NC.44)	19-49	8	

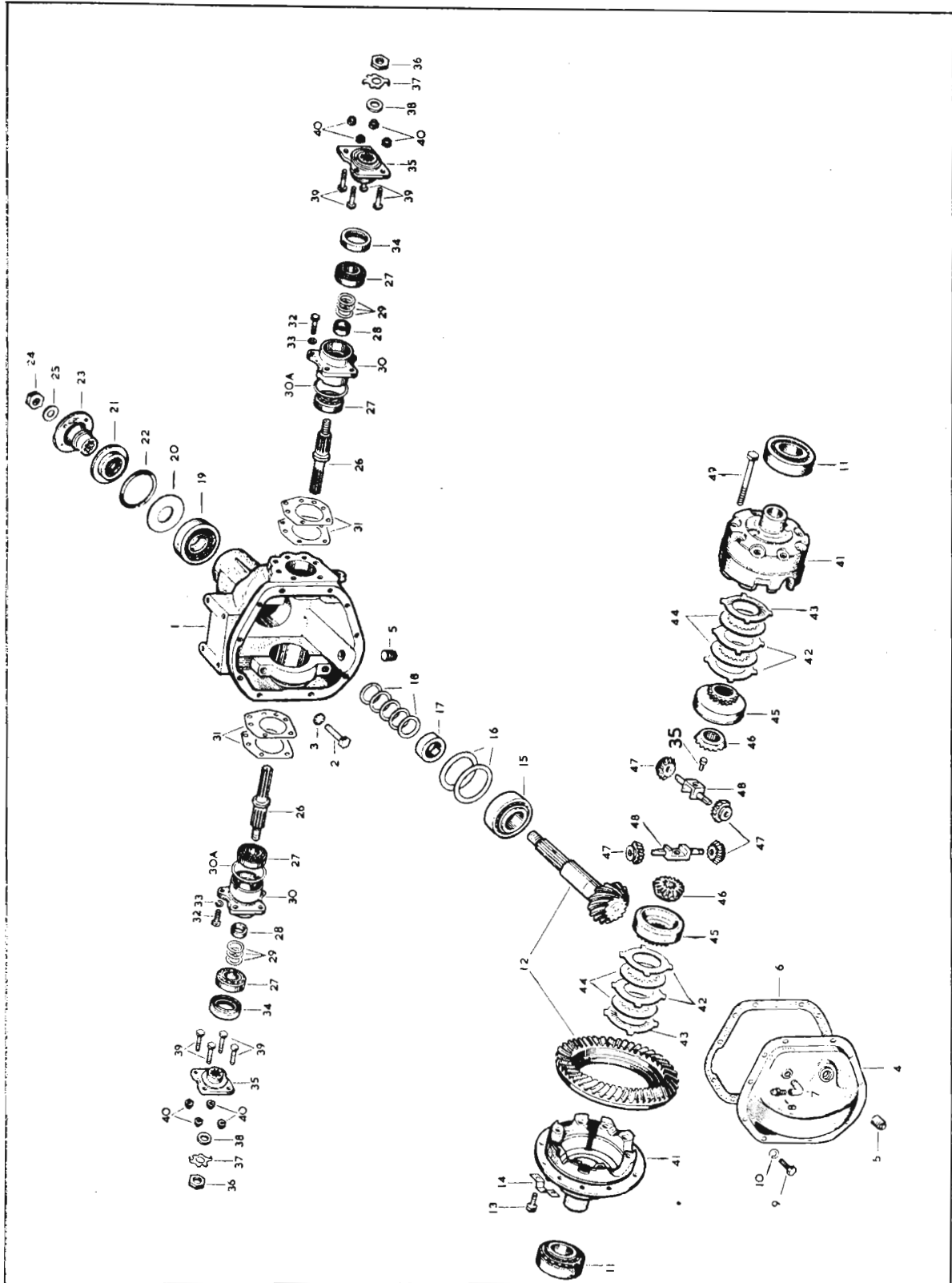


PLATE 19

FRONT BRAKES

Part No.	Description	Plate No.	No. per Unit	Remarks
C.18657	R.H. FRONT CALIPER ASSEMBLY (VB.1028A/J)		1	} Fitted from Chassis No. 850001 to 850253. 875001 to 875963. 860001 to 860022. 885001 to 885142.
7715	Front Caliper only (VBM.1006)	22- 1	1	
8553	Friction Pad Assembly (VBO.5138/J)	22- 2	2	
7718	Support Plate, for Friction Pads (VBO.5133)	22- 3	2	
7719	Retaining Plate, for Friction Pads (VBO.5123)	22- 4	1	
UFB.125/7R	Bolt, securing Retaining Plate (VBO.6002)	22- 5	1	
UFN.125/L	Nut, on Bolt (VBO.6053)	22- 6	1	
C.724	Washer, Shakeproof, under Nut (VBO.6101)	22- 7	1	
8513	Piston and Cylinder Assembly (VBO.5370)	22- 8	2	
7720	Bolt, securing Cylinders to Caliper (VBO.5100)	22- 9	8	
C.724	Washer, Shakeproof, on Bolts (VBO.6101)	22-10	8	
6911	Bleed Screw and Ball Assembly (VBO.8378)	22-11	1	
7783	Bridge Pipe Assembly (VBO.5203)	22-12	1	
C.18658	L.H. FRONT CALIPER ASSEMBLY (VB.1028B/J)		1	}
7822	Bridge Pipe Assembly (VBO.5204)		1	
	All other items are as for R.H. Front Caliper C.18657			
C.19962	R.H. FRONT CALIPER ASSEMBLY (VB.1194A/N)		1	} Fitted to Chassis No. 850254 and subs. 875964 and subs. 860023 and subs. 885143 and subs.
8777	Piston and Cylinder Assembly (VBO.5505)		2	
7937	Friction Pad Assembly (VBO.5138/N)		2	
	All other items are as for R.H. Front Caliper C.18657.			
C.19963	L.H. FRONT CALIPER ASSEMBLY (VB.1194B/N)		1	}
8777	Piston and Cylinder Assembly (VBO.5505)		2	
7937	Friction Pad Assembly (VBO.5138/N)		2	
7822	Bridge Pipe Assembly (VBO.5204)		1	
	All other items are as for R.H. Front Caliper C.18657.			
C.7569	Shim, .004" thick, for adjustment of Front Calipers	22-13	As req'd	
C.11723	Shim, .010" thick, for adjustment of Front Calipers	22-13	As req'd	
C.13547	Bolt, securing Front Calipers to Stub Axle Carriers		4	
FG.108/X	Washer, Spring, on Bolts		4	
C.837	Wire, locking Bolts		As req'd	
7727	REPAIR KIT FOR FRONT WHEEL CYLINDERS (VBO.8096) (COMPRISING PISTON SEAL AND DUST SEAL)		4	Fitted from Chassis No. 850001 to 850253. 875001 to 875963. 860001 to 860022. 885001 to 885142.

FRONT BRAKES

Part No.	Description	Plate No.	No. per Unit	Remarks
8820	REPAIR KIT FOR FRONT WHEEL CYLINDERS (VBO.8210) (COMPRISING PISTON SEAL AND DUST SEAL)		4	Fitted to Chassis No. 850254 and subs. 875964 and subs. 860023 and subs. 885143 and subs.
9251	REPAIR KIT FOR CALIPER PADS (VBO.8328/N)		1	
7840	PISTON RETRACTION TOOL (AO.103741)		1	FOR USE WHEN RENEWING FRICTION PADS.
C.15334	DISC FOR FRONT CALIPERS (VBM.3748)	22-14	2	
C.13546/1 C.15349	Bolt, securing Disc to Hubs Nut, Self-Locking, on Bolts		10 10	
C.15317/1	R.H. FRONT HUB		1	
C.15318/1	L.H. FRONT HUB		1	
C.3076/1	Grease Nipple, for Hubs		2	

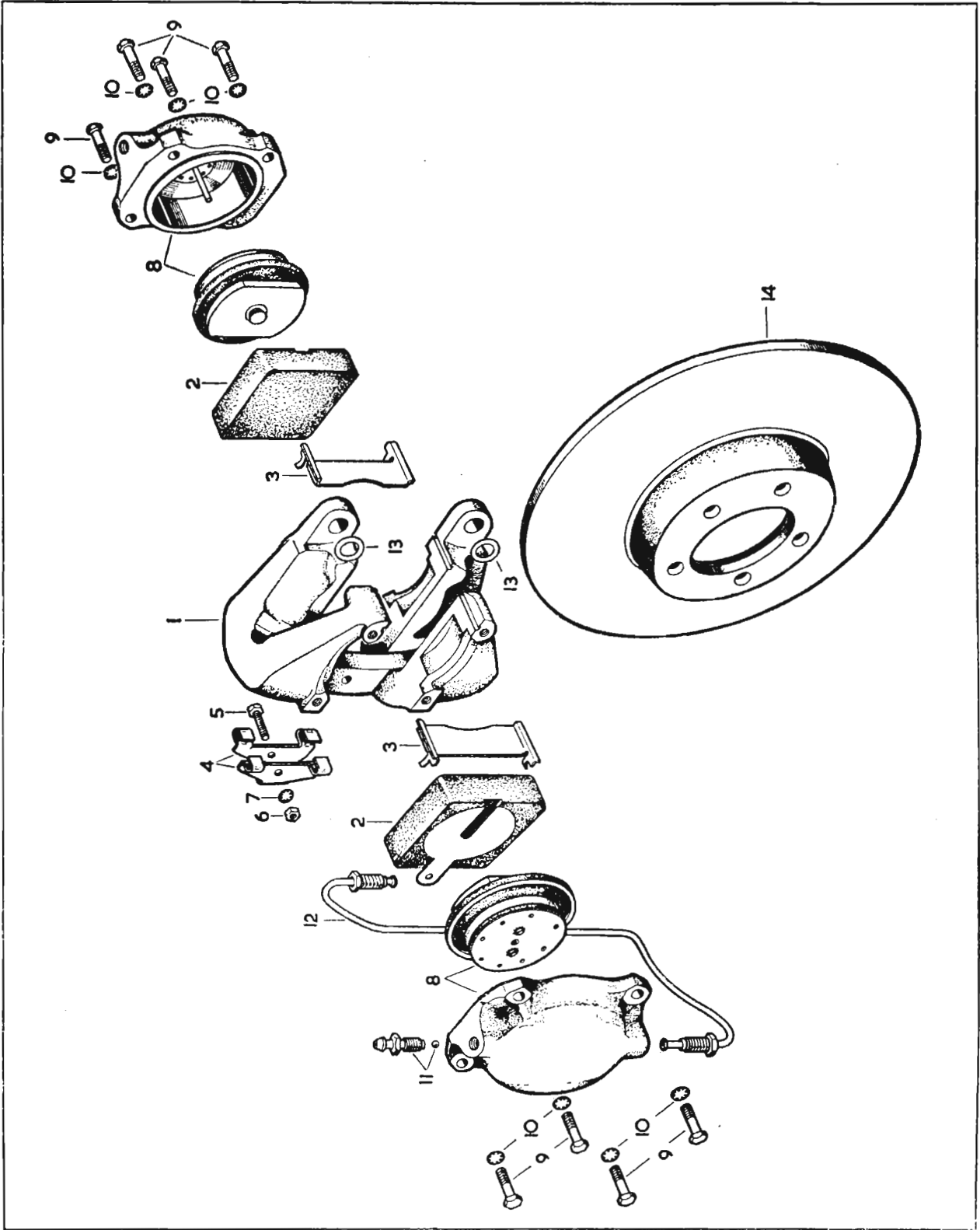


PLATE 22

REAR BRAKES

Part No.	Description	Plate No.	No. per Unit	Remarks
C.17448	R.H. REAR CALIPER ASSEMBLY (VB.1134A/J)		1	} Fitted from Chassis No. 850001 to 850253. 875001 to 875963. 860001 to 860022. 885001 to 885142.
8010	R.H. Rear Caliper only (VBM.1081)	23- 1	1	
8553	Friction Pad Assembly (VBO.5138/J)	23- 2	2	
7718	Support Plate, for Friction Pads (VBO.5133)	23- 3	2	
7719	Retaining Plate, for Friction Pads (VBO.5123)	23- 4	1	
UFB.125/7R	Bolt, securing Retaining Plate (VBO.6002)	23- 5	1	
UFN.125/L	Nut, on Bolt (VBO.6053)	23- 6	1	
C.724	Washer, Shakeproof, under Nut (VBO.6101)	23- 7	1	
8514	Piston and Cylinder Assembly (VBO.5375)	23- 8	2	
7720	Bolt, securing Cylinders to Caliper (VBO.5100)	23- 9	8	
C.724	Washer, Shakeproof, on Bolts (VBO.6101)	23-10	8	
6911	Bleed Screw and Ball Assembly (VBO.8378)	23-11	1	
7826	Bridge Pipe Assembly (VBO.3588)	23-12	1	
C.17449	L.H. REAR CALIPER ASSEMBLY (VB.1134B/J)		1	} All other items are as for R.H. Rear Caliper C.17448
8009	L.H. Rear Caliper only (VBM.1080)		1	
7827	Bridge Pipe Assembly (VBO.3589)		1	
C.20006	R.H. REAR CALIPER ASSEMBLY (VB.1166A/N)		1	} Fitted to Chassis No. 850254 and subs. 875964 and subs. 860023 and subs. 885143 and subs.
8778	Piston and Cylinder Assembly (VBO.5506)		2	
7937	Friction Pad Assembly (VBO.5138/N)		2	
	All other items are as for R.H. Rear Caliper C.17448.			
C.20007	L.H. REAR CALIPER ASSEMBLY (VB.1166B/N)		1	} Fitted to Chassis No. 850578 and subs. 877736 and subs. 860741 and subs. 886456 and subs. May be used to replace C.19759 & C.18491.
8009	L.H. Rear Caliper only (VBM.1080)		1	
8778	Piston and Cylinder Assembly (VBO.5506)		2	
7937	Friction Pad Assembly (VBO.5138/N)		2	
7827	Bridge Pipe Assembly (VBO.3589)		1	
	All other items are as for R.H. Rear Caliper C.17448.			
C.13198	Shim, .005" thick, for adjustment of Rear Calipers (VBO.1333)	23-13	As req'd	} Fitted from Chassis No. 850001 to 850577. 875001 to 877735. 860001 to 860740. 885001 to 886455.
C.13199	Shim, .020" thick, for adjustment of Rear Calipers (VBO.1334)	23-13	As req'd	
C.19759	Screw, Set, securing Rear Calipers to Final Drive Unit Housing	23-14	4	} Fitted to Chassis No. 850578 and subs. 877736 and subs. 860741 and subs. 886456 and subs.
C.18491	Tab Washer, locking Setscrews	23-15	2	
C.20624	Screw, Set, securing Rear Calipers to Final Drive Unit Housing		4	} May be used to replace C.19759 & C.18491.
FG.107/X	Washer, Spring, on Setscrews		4	
C.21126	Locking Wire, Stainless, for Setscrews		4	

REAR BRAKES

Part No.	Description	Plate No.	No. per Unit	Remarks
8665	REPAIR KIT FOR REAR WHEEL CYLINDER (VBO.8097) (COMPRISING PISTON SEAL AND DUST SEAL)		4	Fitted from Chassis No. 850001 to 850253. 875001 to 875963. 860001 to 860022. 885001 to 885142.
8972	REPAIR KIT FOR REAR WHEEL CYLINDERS (VBO.8211) (COMPRISING PISTON SEAL AND DUST SEAL)		4	Fitted to Chassis No. 850254 and subs. 875964 and subs. 860023 and subs. 885143 and subs.
9251	REPAIR KIT FOR CALIPER PADS (VBO.8328/N)		1	
7840	PISTON RETRACTION TOOL (AO.103741)		1	FOR USE WHEN RENEWING FRICTION PADS.
C.17450	HANDBRAKE MECHANISM ASSEMBLY R.H. (VBM.4148/A)		1	Fitted from Chassis No. 850001 to 850089. 875001 to 875331. 860001 to 860003. 885001 to 885014.
8515	R.H. Inner Pad Carrier Assembly (VBM.4173/A)		1	
8516	R.H. Outer Pad Carrier Assembly (VBO.7138/A)		1	
8024	Operating Lever Assembly (VBO.4176)		1	
8517	Bolt, securing Pad Carriers to Operating Lever (VBO.4819)		1	
C.8667/2	Nut, Self-Locking, on Bolt (VBO.6056)		1	
6923	Pivot Seat, for Operating Lever (VBO.2350)		1	
8015	Clevis Pin, securing Operating Lever to Pivot Seat (VBO.4182)		1	
8519	Split Pin, retaining Clevis Pin (VBO.6154)		1	
C.17451	HANDBRAKE MECHANISM ASSEMBLY L.H. (VBM.4148/B)		1	
8520	L.H. Inner Pad Carrier Assembly (VBM.4173/B)		1	
8521	L.H. Outer Pad Carrier Assembly (VBO.7138/B)		1	
	All other items are as for R.H. Handbrake Mechanism C.17450			
8016	Bolt, securing Handbrake Mechanism to Rear Calipers (VBO.4190)		4	
8017	Retraction Plate, on Bolts (VBO.3764/1)		2	
8014	Tab Washer, locking Bolts (VBO.4226)		2	

REAR BRAKES

Part No.	Description	Plate No.	No. per Unit	Remarks
C.19904	HANDBRAKE MECHANISM ASSEMBLY R.H. (VBM.4220/A)		1	} Fitted from Chassis No. 850090 to 850550. 850553 to 850554. 875332 to 877534. 877540 to 877566. 860004 to 860663. 885015 to 886262.
8934	R.H. Inner Pad Carrier Assembly (VBM.4694/A)		1	
8936	R.H. Outer Pad Carrier Assembly (VBO.8160/A)		1	
8938	Anchor Pin, in Inner Pad Carrier, retaining Return Spring (VBO.8157)		1	
8943	Operating Lever Assembly (VBO.7856)		1	
8940	Return Spring, between Operating Lever and Anchor Pin (VBO.8190)		1	
8836	Pawl Assembly (VBO.7995)		1	
8837	Tension Spring, for Pawl (VBO.7367)		1	
8838	Anchor Pin, retaining Tension Spring (VBO.7385)		1	
8980	Adjusting Nut (VBO.7667)		1	
8840	Friction Spring, on Adjusting Nut (VBO.7588)		1	
8941	Hinge Pin, securing Operating Lever (VBO.8198)		1	
L.102/3U	Split Pin, retaining Hinge Pin		1	
8939	Protection Cover Assembly, at rear of Operating Lever (VBO.8159)		1	
8942	Protection Cover, at front of Operating Lever (VBO.7950)		1	
8844	Bolt, securing Protection Covers (VBO.8090)		1	
8845	Bolt, securing Pad Carriers to Operating Lever (VBO.8024)		1	
L.102.5/8U	Split Pin, retaining Bolt		1	
C.19905	HANDBRAKE MECHANISM ASSEMBLY L.H. (VBM.4220/B)		1	} Fitted from Chassis No. 850090 to 850550. 850553 to 850554. 875332 to 877534. 877540 to 877566. 860004 to 860663. 885015 to 886262.
8935	L.H. Inner Pad Carrier Assembly (VBM.4694/B)		1	
8937	L.H. Outer Pad Carrier Assembly (VBO.8160/B)		1	
	All other items are as for R.H. Handbrake Mechanism C.19904.			
C.19830	HANDBRAKE MECHANISM ASSEMBLY R.H. (VBM.4234/A)	23-16	1	} Fitted from Chassis No. 850551 to 850552. 850555 and subs. 877535 to 877539. 877567 and subs. 860664 and subs. 886263 and subs.
9326	R.H. Inner Pad Carrier Assembly (VBM.4647/A)	23-17	1	
9328	R.H. Outer Pad Carrier Assembly (VBO.8235/A)	23-18	1	
8938	Anchor Pin, in Inner Pad Carrier, retaining Return Spring (VBO.8157)	23-19	1	
9330	Operating Lever Assembly (VBO.8379)	23-20	1	
8940	Return Spring, between Operating Lever and Anchor Pin (VBO.8190)	23-21	1	
8836	Pawl Assembly (VBO.7995)	23-22	1	
8837	Tension Spring, for Pawl (VBO.7367)	23-23	1	
8838	Anchor Pin, retaining Tension Spring (VBO.7385)	23-24	1	
8980	Adjusting Nut (VBO.7667)	23-25	1	
8840	Friction Spring, on Adjusting Nut (VBO.7588)	23-26	1	
8841	Hinge Pin, securing Operating Lever (VBO.7289)	23-27	1	
L.102/3U	Split Pin, retaining Hinge Pin	23-28	1	
9334	Protection Cover Assembly, at rear of Operating Lever (VBO.8467)	23-29	1	
9335	Protection Cover, at front of Operating Lever (VBO.8215)	23-30	1	
9336	Bolt, securing Protection Covers (VBO.6015/F)	23-31	1	
BD.2906/3	Washer, Countersunk, Shakeproof, on Bolt (VBO.6100/P)	23-32	1	
9332	Bolt, securing Pad Carriers to Operating Lever (VBO.8217)	23-33	1	
L.102.5/8U	Split Pin, retaining Bolts	23-34	1	

REAR BRAKES

Part No.	Description	Plate No.	No. per Unit	Remarks
C.19833	HANDBRAKE MECHANISM ASSEMBLY L.H. (VBM.4230/B)		1	} Fitted from Chassis No. 850551 to 850552. 850555 and subs. 877535 to 877539. 877567 and subs. 860664 and subs. 886263 and subs.
9327	L.H. Inner Pad Carrier Assembly (VBM.4647/B)		1	
9329	L.H. Outer Pad Carrier Assembly (VBO.8235/B)		1	
	All other items are as for R.H. Handbrake Mechanism C.19830.			
8016	Bolt, securing Handbrake Mechanism to Rear Calipers (VBO.4190)	23-35	4	
9333	Retraction Plate, on Bolts (VBO.4646/1)	23-36	2	
8014	Tab Washer, locking Bolts (VBO.4226)	23-37	2	
8522	REPAIR KIT FOR HANDBRAKE MECHANISM (VBO.8073) (COMPRISING FRICTION PADS, FIXING BOLTS, NUTS AND WASHERS)		1	} Fitted from Chassis No. 850001 to 850550. 850553 to 850554. 875001 to 877534. 877540 to 877566. 860001 to 860663. 885001 to 886262.
9245	REPAIR KIT FOR HANDBRAKE MECHANISM (VBO.8737/R) (COMPRISING FRICTION PADS, FIXING BOLTS, NUTS AND WASHERS)		1	} Fitted from Chassis No. 850551 to 850552. 850555 and subs. 877535 to 877539. 877567 and subs. 860664 and subs. 886263 and subs.
C.15223	DISC FOR REAR CALIPERS (VBM.3981)	23-38	2	

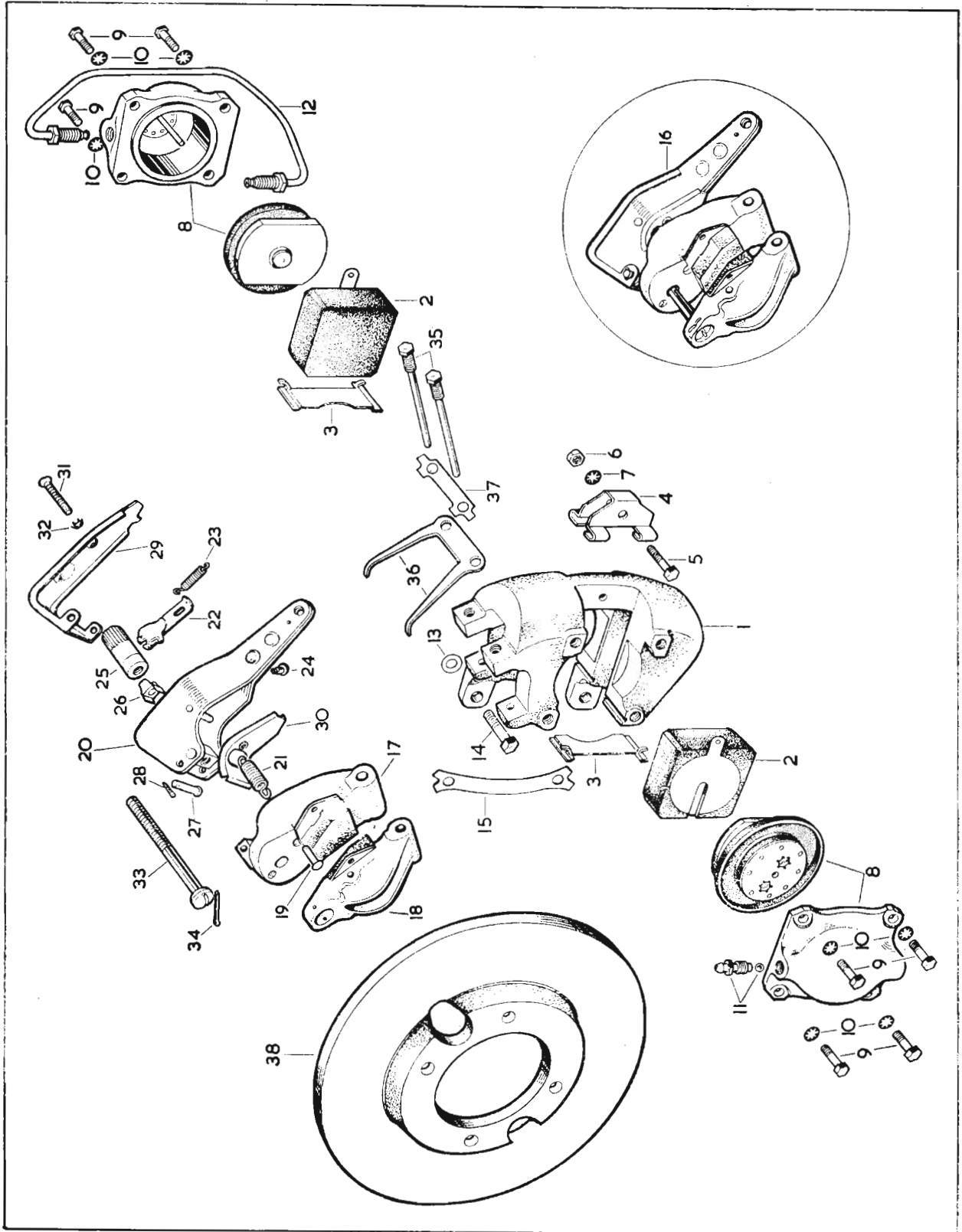


PLATE 23

BRAKE SERVO UNIT

Part No.	Description	Plate No.	No. per Unit	Remarks
C.17266	BRAKE SERVO UNIT ASSEMBLY (VB.10000)		1	
8723	Valve Housing (VB.10001)	24- 1	1	
8724	Nipple, for Vacuum test (VBO.10065)	24- 2	1	
8725	Adaptor, for testing take-off (VBO.10066)	24- 3	1	
8726	Screwed Plug, in Adaptor (VBO.10067)	24- 4	1	
8727	Gasket, under Screwed Plug and Adaptor (VBO.10068)	24- 5	2	
8728	Air Valve Assembly (VBO.10001)	24- 6	1	
8729	Vacuum Valve Assembly (VBM.10002)	24- 7	1	
8730	Return Spring, for Vacuum Valve (VBO.10006)	24- 8	1	
8731	Balancing Washer, inside Diaphragm (VBO.10007)	24- 9	1	
8732	Valve Balancing Diaphragm (VBM.10003)	24-10	1	
8733	Retainer, for Diaphragm (VBO.10008)	24-11	1	
8734	Control Spring, for Air Valve (VBO.10009)	24-12	1	
8735	Retainer and Sleeve Assembly (VBM.10004)	24-13	1	
8736	Bellows (VBM.10008)	24-14	1	
8737	Support Ring, inside Bellows (VBO.10025)	24-15	3	
8738	Bolt, securing Retainer and Sleeve to Valve Housing (VBO.10011)	24-16	3	
8739	Main Return Spring (VBO.10012)	24-17	1	
8740	Mounting Hub Assembly (VBM.10010)	24-18	1	
8741	Seal, for Hub (VBO.10014)	24-19	1	
8742	Guide Sleeve, behind Seal (VBM.10012)	24-20	1	
8743	Rubber Buffer, between Mounting Hub and Stop Washer (VBO.10015)	24-21	1	
8744	Stop Washer, for Mounting Hub (VBO.10016)	24-22	1	
8745	Circlip, retaining Hub to Sleeve (VBO.10017)	24-23	1	
8746	Air Filter, inside Sleeve (VBO.10018)	24-24	1	
8747	Baffle, for Air Filter (VBO.10019)	24-25	1	
8748	Mounting Bracket Assembly (VBO.10027)	24-26	1	
UFN.225/L	Nut, securing Mounting Bracket to Hub (VBO.10021)	24-27	3	
C.724	Washer, Shakeproof, under Nuts (VBO.10020)	24-28	3	
C.17267	Nylon Bush, for Valve Housing (VBM.10000)	24-29	1	
C.17268	Eccentric Bush, for Valve Housing (VBM.10036)	24-30	1	
C.17269	Spring, for Valve Housing (VBM.10037)	24-31	1	

8749	REPAIR KIT FOR BRAKE SERVO UNIT		1	
	comprising:—			
C.17239	Rubber Buffer		1 off	
C.17267	Bush		1 off	
C.17262	Bush		10 off	
8743	Rubber Buffer		1 off	
8728	Air Valve Assembly		1 off	
8729	Vacuum Valve Assembly		1 off	
8732	Valve Balancing Diaphragm		1 off	
8741	Seal		1 off	
8745	Circlip		1 off	
	Tube, Silicon Grease			

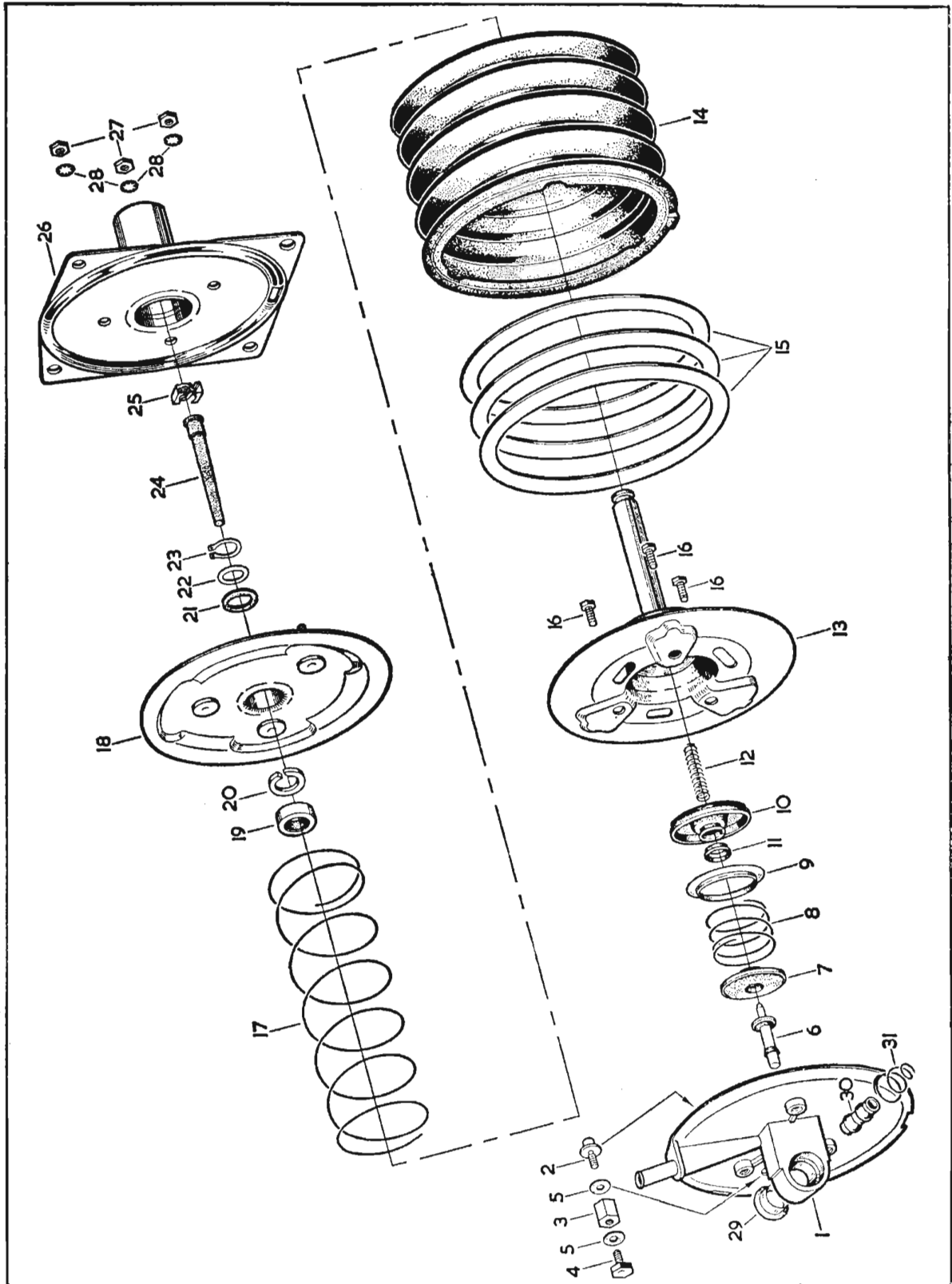


PLATE 24

RESERVAC TANK FOR BRAKE SERVO

Part No.	Description	Plate No.	No. per Unit	Remarks
C.17488	RESERVAC TANK ASSEMBLY	25- 1	1	
UFS.125/4R FG.104/X	Screw , Set, securing Reservac Tank to Body Washer , Spring, on Setscrews		4 4	
C.14693	CHECK VALVE ASSEMBLY ON RESERVAC TANK	25- 2	1	
C.17493	VACUUM HOSE FROM RESERVAC TANK TO SERVO	25- 3	1	R.H. DRIVE CARS ONLY.
C.18459	VACUUM HOSE FROM RESERVAC TANK TO SERVO		1	L.H. DRIVE CARS ONLY.
C.15886/5 C.1040/4	Clip , securing Hose to Tank and Servo Clip , securing Hose to Dash and Master Cylinder Bracket	25- 4 25- 5	2 See Remarks	1 off required for R.H. Drive Cars 3 off required for L.H. Drive Cars
C.17494	VACUUM HOSE FROM CHECK VALVE TO AIR BALANCE PIPE ON ENGINE	25- 6	1	
C.15886/5	Clip , securing Hose	25- 7	2	
C.14746	ADAPTOR ASSEMBLY, AT REAR OF AIR BALANCE PIPE, FOR CONNECTION OF VACUUM HOSE	25- 8	1	
C.14089 UFN.125/L FG.104/X	Gasket , under Adaptor Nut , securing Adaptor Washer , Spring, under Nuts	25- 9	1 2 2	

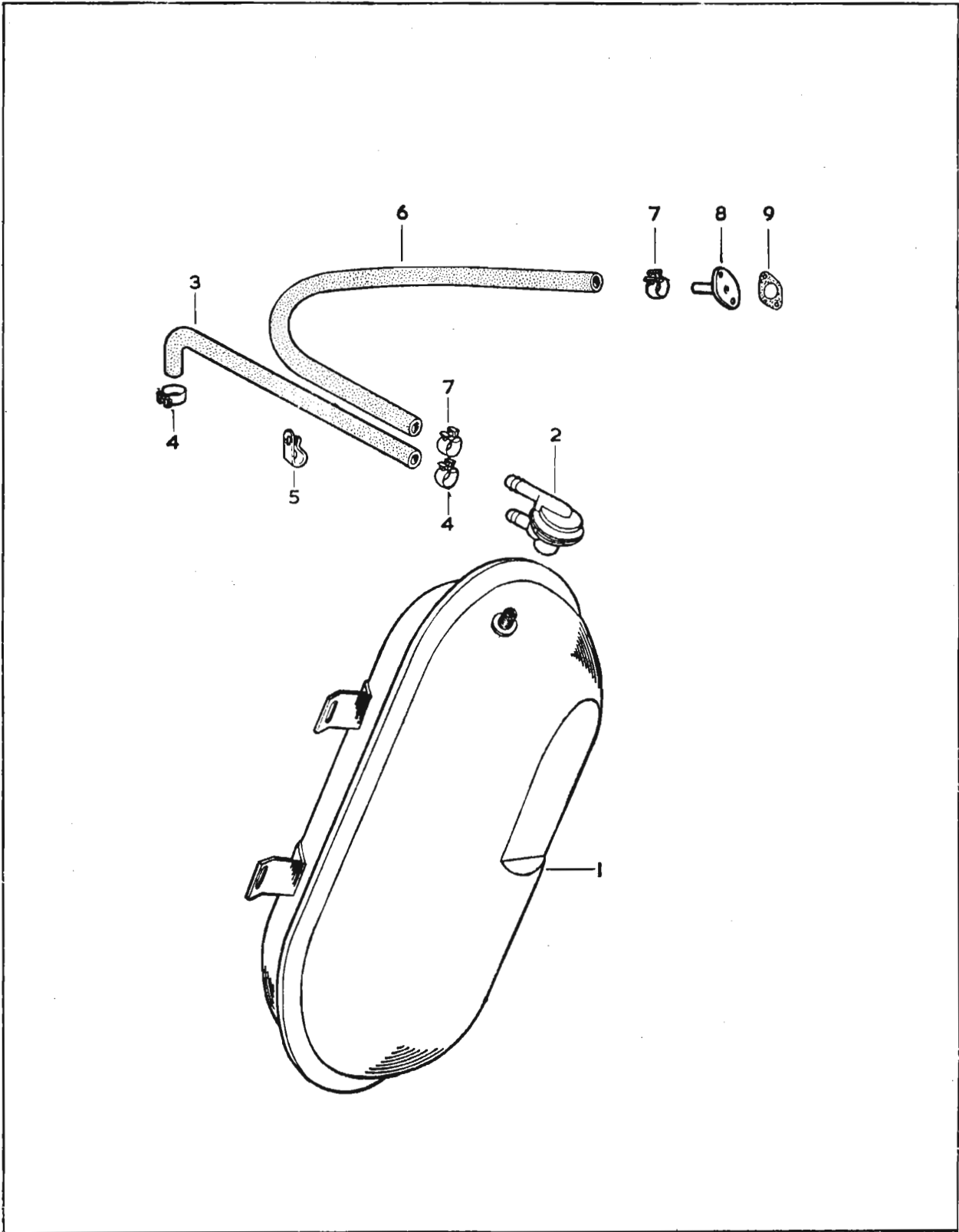


PLATE 25

BRAKE CONTROLS

Part No.	Description	Plate No.	No. per Unit	Remarks
C.17254	BRAKE PEDAL	26- 1	1	R.H. DRIVE CARS ONLY.
C.17592	BRAKE PEDAL		1	L.H. DRIVE CARS ONLY.
C.14366	Return Spring, for Brake Pedal		1	
C.15245	STEEL PAD ON BRAKE PEDAL		1	Fitted from Chassis No. 850001 to 850474. 875001 to 876998. 860001 to 860374 except 860365. 885001 to 885870.
C.20221	STEEL PAD ON BRAKE PEDAL	26- 2	1	Fitted to Chassis No. 850475 and subs. 876999 and subs. 860375 and subs. also 860365. 885871 and subs.
C.8667/2	Nut, Self-Locking, securing Pad to Pedal		1	
C.9934	RUBBER PAD ON BRAKE PEDAL	26- 3	1	
C.17253	HOUSING FOR BRAKE PEDAL		1	Fitted from Chassis No. 850001 to 850232. 875001 to 875858. 860001 to 860020. 885001 to 885104.
C.12473	Stud, for mounting of Brake Master Cylinder and Servo Brackets to Housing		9	
C.18203	Stud, for fixing of Housing to Scuttle and for mounting of Clutch Master Cylinder		6	
C.17260	Bush, in Housing, for Brake Pedal Shaft and Clutch Pedal		1	
UCS.125/3R	Screw, Set, retaining Bush		1	
C.17498	Bearing (Torrington B.128), in Housing, for Brake Pedal Shaft		1	
C.18262	Gasket, between Housing and Scuttle		1	
C.8667/2	Nut, Self-Locking, securing Housing to Scuttle		5	
FW.105/T	Washer, Plain, under Nuts		5	

BRAKE CONTROLS

Part No.	Description	Plate No.	No. per Unit	Remarks
C.19666	HOUSING FOR BRAKE PEDAL	26- 4	1	} Fitted to Chassis No. 850233 and subs. 875859 and subs. 860021 and subs. 885105 and subs.
C.12473	Stud , for mounting of Brake Master Cylinder and Servo Brackets to Housing		9	
C.18203	Stud , for fixing of Housing to Scuttle and for mounting of Clutch Master Cylinder		6	
C.19613	Flanged Bearing Tube , at side of Pedal Housing	26- 5	1	
UCS.125/4R	Screw , Set, securing Bearing Tube		2	
C.724	Washer , Shakeproof, on Setscrews		2	
C.19623	Bush , in Bearing Tube, for Brake Pedal Shaft	26- 6	1	
C.17498	Bearing (Torrington B.128), in Housing, for Brake Pedal Shaft	26- 7	1	
C.18262	Gasket , between Housing and Scuttle	26- 8	1	
C.8667/2	Nut , Self-Locking, securing Housing to Scuttle		5	
FW.105/T	Washer , Plain, under Nuts		5	
C.17256	SHAFT AND PIN ASSEMBLY, FOR MOUNTING OF BRAKE PEDAL	26- 9	1	
UFS.131/8R	Screw , Set, clamping Pedal on Shaft		1	} Fitted from Chassis No. 850001 to 850232. 875001 to 875858. 860001 to 860020. 885001 to 885104.
C.17485	Circlip , retaining Shaft	26-10	1	
C.17481	Washer , behind Circlip		1	
C.21755	Washer (Tufnol) between Brake and Clutch Pedals		1	
C.17261	CONNECTING LEVER, BETWEEN PEDAL SHAFT AND END PLATE OF SERVO BELLOWS		1	Fitted from Chassis No. 850001 to 850474. 875001 to 876998. 860001 to 860374. 885001 to 885870. Except 860365.
C.20320	CONNECTING LEVER, BETWEEN PEDAL SHAFT AND END PLATE OF SERVO BELLOWS	26-11	1	Fitted from Chassis No. 850475 to 850649. 876999 to 878963. 860375 to 861079. 885871 to 888168. Also to 860365.
C.21609	CONNECTING LEVER, BETWEEN PEDAL SHAFT AND END PLATE OF SERVO BELLOWS		1	Fitted to Chassis No. 850650 and subs. 878964 and subs. 861080 and subs. 888169 and subs.
C.17262	Nylon Bush , for Lever, on lower pin of Pedal Shaft	26-12	2	
C.17239	Rubber Buffer , for Lever, on upper pin of Pedal Shaft	26-13	1	
FW.204/T	Washer , Plain, at top of Rubber Buffer	26-14	1	
C.17240	Spacing Collar , at top of Washer	26-15	1	
C.17241	Belleville Washer , between Spacing Collar and Servo Operating Arm	26-16	1	

BRAKE CONTROLS

Part No.	Description	Plate No.	No. per Unit	Remarks
C.17242	ARM, OPERATING BRAKE SERVO	26-17	1	
C.17243	Eccentric Barrel Nut , for fine adjustment of Operating Arm and retaining Operating Arm and Connecting Lever		1	Fitted from Chassis No. 850001 to 850474. 875001 to 876998. 860001 to 860374. 885001 to 885870. Except 860365.
C.20787	Eccentric Barrel Nut , for fine adjustment of Operating Arm and retaining Operating Arm and Connecting Lever	26-18	1	Fitted to Chassis No. 850475 and subs. 876999 and subs. 860375 and subs. 885871 and subs. Also to 860365.
UFN.425/L	Slotted Nut , locking Eccentric Nut to upper pin of Pedal Shaft	26-19	1	
L.102/6U	Split Pin , retaining Nut	26-20	1	
C.8667/2	Nut , Self Locking, retaining Operating Arm and Connecting Lever on lower pin of Pedal Shaft		1	
FW.205/T	Washer , Plain, at each side of Operating Arm		2	
C.17238	SERRATED PIN, IN UPPER END OF CONNECTING LEVER	26-21	1	
C.17267	Nylon Bush , on Pin (VBM.10000)	26-22	1	
C.17268	Steel Bush , for "eye" on Servo Bellows End Plate (VBM.10036)	26-23	1	
C.17269	Conical Spring , above Steel Bush (VBM.10037)	26-24	1	
C.8667/2	Nut , retaining Servo Bellows End Plate on Pin		1	
C.1904	Washer , Plain, under Nut		1	
C.17264	FORK END BETWEEN CONNECTING LEVER AND BALANCE LINK	26-25	1	
C.17265	Joint Pin , securing Fork End to Connecting Lever	26-26	1	
C.17262	Nylon Bush , on Joint Pin	26-27	2	
C.17486	Grub Screw (Allen Head) retaining Joint Pin in Connecting Lever	26-28	1	Fitted from Chassis No. 850001 to 850649. 875001 to 878963. 860001 to 861079. 885001 to 888168.
C.20724/12	Roll Pin , retaining Joint Pin in Connecting Lever		1	Fitted to Chassis No. 850650 and subs. 878964 and subs. 861080 and subs. 888169 and subs.
C.17244	BALANCE LINK ASSEMBLY FOR OPERATION OF MASTER CYLINDERS		1	Fitted from Chassis No. 850001 to 850376. 875001 to 876638. 860001 to 860192. 885001 to 885571. USE C.20341 FOR ALL REPLACEMENTS.

BRAKE CONTROLS

Part No.	Description	Plate No.	No. per Unit	Remarks
C.20341	BALANCE LINK ASSEMBLY FOR OPERATION OF MASTER CYLINDERS	26-29	1	Fitted to Chassis No. 850377 and subs. 876639 and subs. 860193 and subs. 885572 and subs.
UFB.131/12R	Bolt , securing Fork End and Balance Link to Pivot Bracket		1	
C.17249	Spacing Tube , on Bolt	26-30	1	
C.17262	Nylon Bush , on Spacing Tube	26-31	4	
C.8667/2	Nut , Self-Locking, on Bolt		1	
C.17246	PIVOT BRACKET ASSEMBLY FOR BALANCE LINK	26-32	1	
UFB.131/28R	Bolt , mounting Pivot Bracket to Brake Master Cylinder Bracket		1	
C.17236	Sleeve , on Bolt	26-33	1	
C.17262	Nylon Bush , at each end of Sleeve	26-34	2	
C.8667/2	Nut , Self-Locking, on Bolt		1	
C.18195	BRACKET ASSEMBLY FOR MOUNTING OF BRAKE MASTER CYLINDERS	26-35	1	
UFN.131/L	Nut , securing Bracket to Pedal Housing		4	
C.725	Washer , Shakeproof, under Nuts		4	
UCS.131/4R	Screw , Set, securing Bracket to Pedal Housing		1	
C.8667/2	Nut , Self-Locking, securing Bracket to Scuttle		2	
C.17235	BRAKE MASTER CYLINDER ASSEMBLY (UPPER) OPERATING REAR BRAKES (VBM.4039)		1	Fitted from Chassis No. 850001 to 850254. 875001 to 876014. 860001 to 860026. 885001 to 885155.
C.19968	BRAKE MASTER CYLINDER ASSEMBLY (UPPER) OPERATING REAR BRAKES (VBM.4706)	26-36	1	Fitted to Chassis No. 850255 and subs. 876015 and subs. 860027 and subs. 885156 and subs.
	For individual items, please refer to section for "Hydraulic Brake Pipes"			
C.17482	Fork End , for connection of Master Cylinder to Balance Link	26-37	1	
UFN.231/L	Nut , securing Fork End to Push Rod		1	
J.105/12S	Clevis Pin , securing Balance Link to Upper Master Cylinder		1	
L.102-5/6U	Split Pin , retaining Clevis Pin		1	
FW.105/T	Washer , Plain, behind Split Pin		1	

BRAKE CONTROLS

Part No.	Description	Plate No.	No. per Unit	Remarks
C.17234	BRAKE MASTER CYLINDER ASSEMBLY (LOWER) OPERATING FRONT BRAKES (VBM.4038)		1	Fitted from Chassis No. 850001 to 850254. 875001 to 876014. 860001 to 860026. 885001 to 885155.
C.19967	BRAKE MASTER CYLINDER ASSEMBLY (LOWER) OPERATING FRONT BRAKES (VBM.4705)	26-38	1	Fitted to Chassis No. 850255 and subs. 876015 and subs. 860027 and subs. 885156 and subs.
	For individual items, please refer to section for "Hydraulic Brake Pipes"			
J.105/10S	Clevis Pin , securing Balance Link to Master Cylinder	26-39	1	
L.102-5/6U	Split Pin , retaining Clevis Pin		1	
FW.105/T	Washer , Plain, behind Split Pin		1	
UFS.131/8R	Screw , Set, securing Master Cylinders to Bracket		4	
C.8667/2	Nut , Self-Locking, on Setscrews		4	
C.18172	BRACKET ASSEMBLY FOR MOUNTING OF BRAKE SERVO	26-40	1	
UFN.131/L	Nut , securing Bracket to Pedal Housing		4	
C.725	Washer , Shakeproof, under Nuts		4	
C.17266	BRAKE VACUUM SERVO ASSEMBLY (VB.10000)	26-41	1	
C.8667/2	Nut , Self-Locking, retaining Servo Bellows on Connecting Lever Pin		1	
C.1904	Special Washer , behind Self-Locking Nut		1	
C.8667/2	Nut , Self-Locking, securing Brake Servo to Mounting Bracket		4	
FW.105/T	Washer , Plain, under Nuts		4	
C.18266	RUBBER SEAL, BETWEEN SERVO BRACKET AND DASH	26-42	1	

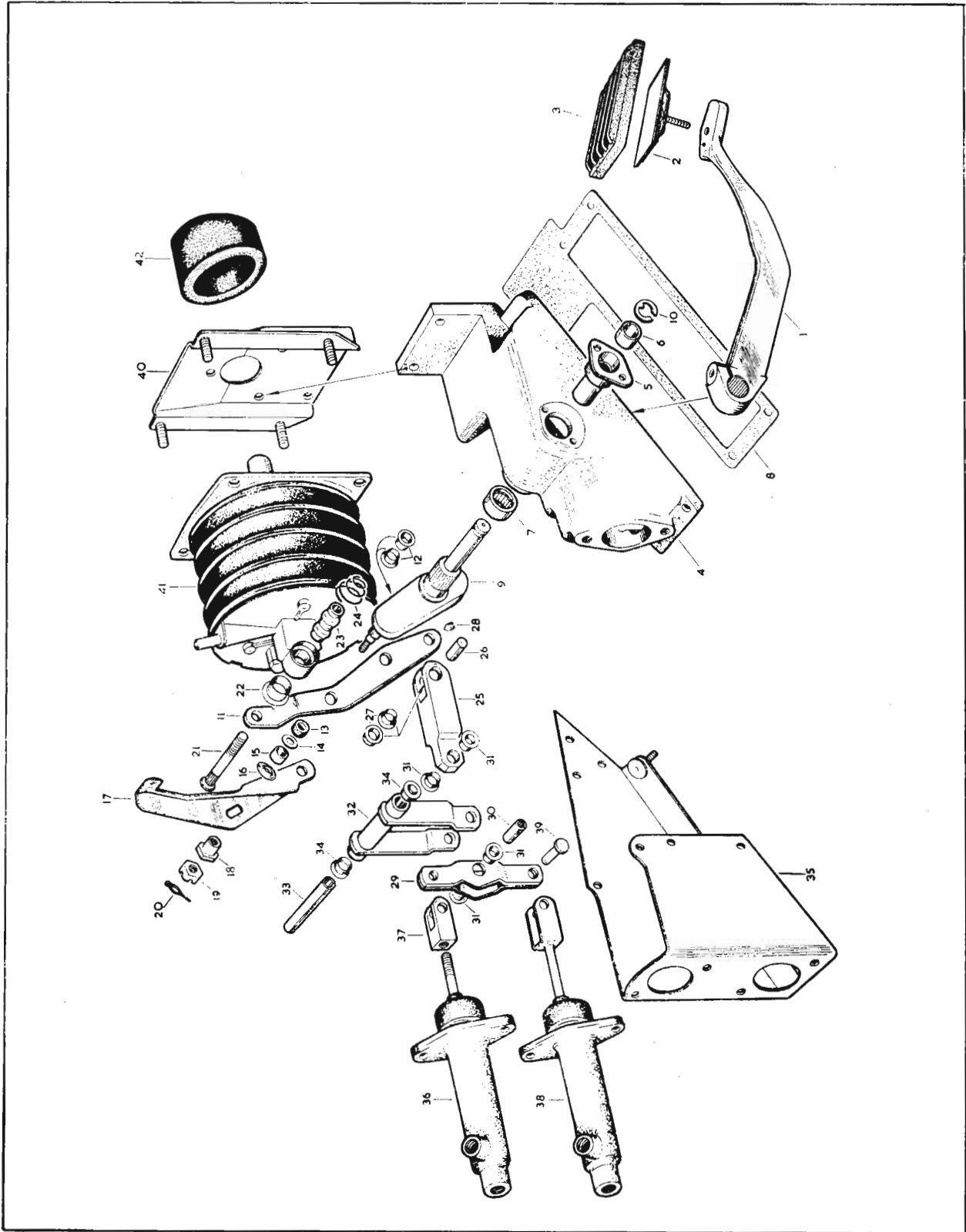


PLATE 26

HANDBRAKE CONTROL

Part No.	Description	Plate No.	No. per Unit	Remarks
C.16823	HANDBRAKE LEVER ASSEMBLY	27- 1	1	
C.17736	Chrome Thumb Button, in end of Lever		1	
C.17737	Spring, under Button		1	
C.17735	Push Rod Assembly, operating Pawl		1	
J.103/5.5S	Clevis Pin, securing Push rod to Pawl		1	
L.102/4U	Split Pin, retaining Clevis Pin		1	
C.17738	Pawl		1	
C.17162	Cover Plate, sealing Pawl Access Hole		1	
BD.711/6	Screw, Self-Tapping, securing Cover Plate		2	
C.17741	Bolt (Chromed Head) pivoting Pawl		1	
C.17740	Spacing Tube, on Bolt		1	
C.17739	Spacing Collar, on Tube		2	
C.8737/2	Nut, Self-locking, on Bolt		1	
C.17742	Lever Assembly, for operation of Handbrake Cable		1	
C.17750	Pivot Pin, for Lever		1	} SUPERSEDED BY C.21123, C.21125, C.21124 AND L.104/12U.
C.17751	Circlip, retaining Pivot Pin		1	
C.21123	Pivot Pin, for Lever		1	} SUPERSEDES C.17751 AND C.17750.
C.21125	Nut, retaining Pivot Pin		1	
C.21124	Washer, under Nut		1	
L.104/12U	Split Pin, securing Nut		1	
C.17746	Mounting Plate Assembly, for Handbrake		1	
UFS.531/6R	Screw, Set, securing Handbrake Assembly to Propeller Shaft Tunnel		4	
C.17879	Tapped Plate, at rear fixing		1	
C.16660	SWITCH FOR OPERATION OF HAND- BRAKE WARNING LIGHT (31893-12.SA)	27- 2	1	
C.18737	Bracket, mounting Switch to Handbrake	27- 3	1	
UFS.119/8R	Screw, Set, securing Bracket to Cable Abutment Block		1	
C.8667/17	Nut, on Setscrew		1	
AW.102/T	Washer, Plain, on Setscrew		2	
C.18738	Spring Striker, operating Warning Light Switch	27- 4	1	
C.17415	HANDBRAKE CABLE ASSEMBLY		1	Fitted from Chassis No. 850001 to 850554. 875001 to 877566. 860001 to 860663. 885001 to 886262.
C.20401	HANDBRAKE CABLE ASSEMBLY	27- 5	1	Fitted to Chassis No. 850555 and subs. 877567 and subs. 860664 and subs. 886263 and subs.
J.105/10S	Clevis Pin, securing Handbrake Cable to Lever and Compensator	27- 6	2	
L.103/7U	Split Pin, retaining Clevis Pins		2	
FW.105/T	Washer, Plain, behind Split Pins		2	
C.17432	Grommet, in Propeller Shaft Tunnel, for Cable	27- 7	1	

HANDBRAKE CONTROL

Part No.	Description	Plate No.	No. per Unit	Remarks
C.18374	HANDBRAKE COMPENSATOR ASSEMBLY, COMPLETE		1	} Fitted from Chassis No. 850001 to 850554. 875001 to 877566. 860001 to 860663. 885001 to 886262.
C.18375	Outer Lever Assembly , complete with Link and Abutment Block		1	
C.18383	Inner Lever Assembly , complete with Link		1	
C.18387	Return Spring , for Compensator Levers		1	
C.18389	Pivot Bracket Assembly , for mounting of Compensator		1	
L.103/7U	Split Pin , retaining Levers and Spring on Pivot Bracket		1	
FW.106/T	Washer , Plain, behind Split Pin		1	
C.18414	Corrugated Washer , behind Plain Washer		1	
C.20402	HANDBRAKE COMPENSATOR ASSEMBLY, COMPLETE	27- 8	1	} Fitted to Chassis No. 850555 and subs. 877567 and subs. 860664 and subs. 886263 and subs.
C.20403	Outer Lever Assembly , complete with Link and Abutment Block		1	
C.20404	Inner Lever Assembly , complete with Link		1	
C.18387	Return Spring , for Compensator Levers		1	
C.20406	Pivot Bracket Assembly , for mounting of Compensator Levers		1	
L.103/7U	Split Pin , retaining Levers and Spring on Pivot Bracket		1	
FW.106/T	Washer , Plain, behind Split Pin		1	
C.18414	Corrugated Washer , behind Plain Washer		1	
UFS.131/5R	Screw , Set, securing Pivot Bracket to Rear Suspension Cross Member		2	
FG.105/X	Washer , Spring, on Setscrews		2	
J.105/10S	Clevis Pin , securing Compensator Links to Operating Lever on Handbrake Calipers	27- 9	2	
L.103/7U	Split Pin , retaining Clevis Pins		2	
FW.105/T	Washer , Plain, behind Split Pins		2	
C.14366	ANCHOR SPRING, BETWEEN HANDBRAKE CABLE AND REAR BRAKE HOSE BRACKET ON BODY		1	
C.1040/1	Clip , for fixing of Spring to Handbrake Cable		1	
UFS.119/3R	Screw , Set, through Clip		1	
AW.102/T	Washer , Plain, on Setscrew		1	
UFN.119/L	Nut , on Setscrew		1	
C.723/A	Washer , Shakeproof, under Nut		1	

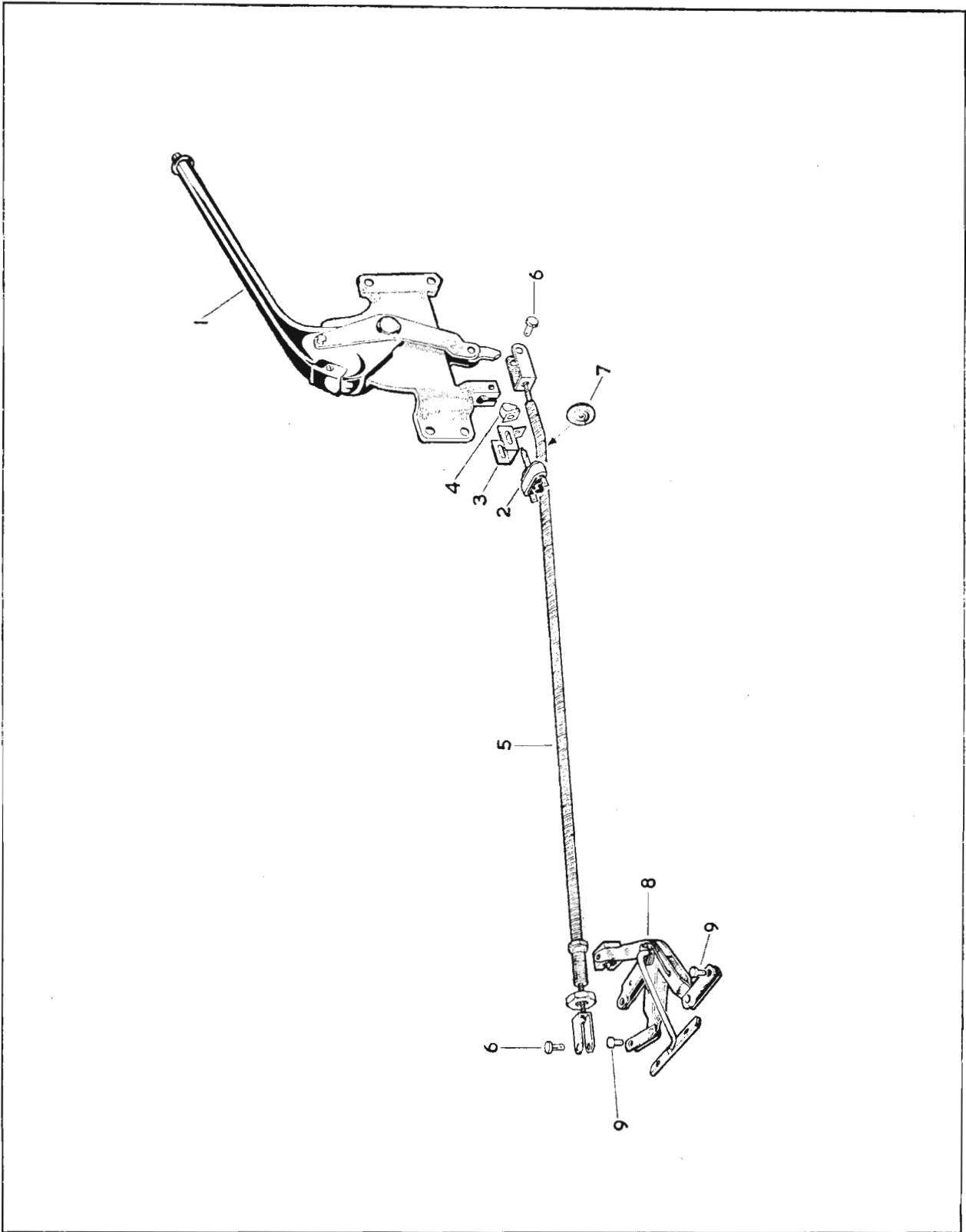


PLATE 27

HYDRAULIC BRAKE PIPES

(R.H. DRIVE CARS ONLY)

Part No.	Description	Plate No.	No. per Unit	Remarks
C.18617	RESERVOIR ASSEMBLY FOR BRAKE FLUID (COMPLETE WITH FILLER CAP AND LEVEL INDICATOR)	28- 1	2	} Fitted from Chassis No. 850001 to 850555. 860001 to 860677.
C.18197	Filler Cap and Level Indicator	28-1A	2	
C.21896	RESERVOIR ASSEMBLY FOR BRAKE FLUID (COMPLETE WITH FILLER CAP AND LEVEL INDICATOR)		2	} Fitted to Chassis No. 850556 and subs. 860678 and subs.
C.21889	Filler Cap and Level Indicator		2	
C.21890	Protective Cap over Indicator Plunger		2	
C.17476	BRACKET ASSEMBLY FOR MOUNTING OF FLUID RESERVOIRS	28- 2	1	} Fitted from Chassis No. 850001 to 850555. 860001 to 860677.
UFS.125/4R C.8667/1	Screw, Set, clamping Reservoir Clips Nut, Self-Locking, on Setscrews		3 3	
UFS.131/4R C.725	Screw, Set, securing Bracket to Dash Washer, Shakeproof, on Setscrews		2 2	
C.20232	BRACKET FOR MOUNTING OF FLUID RESERVOIRS		1	
UFS.131/4R C.725	Screw, Set, securing Brackets to Dash Washer, Shakeproof, on Setscrews		2 2	} Fitted to Chassis No. 850556 and subs. 860678 and subs.
C.19497	CLAMP, SECURING RESERVOIRS TO BRACKET		2	
C.20235 C.8737/1	Stud, securing Clamp Nut, Self-Locking, on Studs		2 4	
C.6854	LOW PRESSURE HOSE FROM RESERVOIR TO PIPE	28- 3	2	
C.15886/5 C.15886/4	Clip, securing Hose to Reservoirs Clip, securing Hose to Hydraulic Pipes	28- 4 28- 5	2 2	

HYDRAULIC BRAKE PIPES

(R.H. DRIVE CARS ONLY)

Part No.	Description	Plate No.	No. per Unit	Remarks
C.17385	HYDRAULIC PIPE ASSEMBLY FROM HOSE TO FRONT BRAKES MASTER CYLINDER (LOWER) (VBO.7598)	28- 6	1	
C.17387	HYDRAULIC PIPE ASSEMBLY FROM HOSE TO REAR BRAKES MASTER CYLINDER (UPPER) (VBO.7597)	28- 7	1	
C.17234	BRAKE MASTER CYLINDER ASSEMBLY (LOWER) OPERATING FRONT BRAKES (VBM.4038)	28- 8	1	
8528	Body only (VBM.4126)	28- 9	1	} Fitted from Chassis No. 850001 to 850254. 860001 to 860026.
8296	Seal, on Valve (VBO.4842)	28-10	1	
7676	Valve (VBO.3539)	28-11	1	
6943	Spring, on Valve (VBO.1410)	28-12	1	
8531	Spring Support, at front of Cylinder Body (VBM.4423)	28-13	1	
8532	Main Spring (VBO.7008)	28-14	1	
8530	Spring Support at rear of Cylinder Body (VBO.7010)	28-15	1	
8533	Cup Seal, on Piston (VBO.8205)	28-16	1	
8529	Piston (VBO.7007)	28-17	1	
8536	Static Seal, on Piston (VBO.4998)	28-18	1	
8537	Push Rod Assembly (VBO.7173)	28-19	1	
8535	Circlip, retaining Push Rod in Cylinder Body (VBO.7024)	28-20	1	
8534	Dust Excluder, over end of Cylinder Body (VBO.7022)	28-21	1	
C.19967	BRAKE MASTER CYLINDER ASSEMBLY (LOWER) OPERATING FRONT BRAKES (VBM.4705)		1	} Fitted to Chassis No. 850255 and subs. 860027 and subs. C.19967 MAY BE USED TO REPLACE C.17234.
8981	Spring Support, at rear of Cylinder Body (VBO.8599)		1	
8983	Piston (VBO.8612)		1	
	All other items are as for Master Cylinder C.17234.			
C.17235	BRAKE MASTER CYLINDER ASSEMBLY (UPPER) OPERATING REAR BRAKES (VBM.4039)	28-22	1	} Fitted from Chassis No. 850001 to 850254. 860001 to 860026.
8539	Valve (VBO.7106)		1	
8538	Piston (VBO.7105)		1	
8540	Push Rod (VBO.7515)		1	
8541	Washer, on Push Rod (VBO.7023/1)		1	
8542	Locknut, on Push Rod (VBO.6054)		1	
	All other items are as for Master Cylinder C.17234.			

HYDRAULIC BRAKE PIPES

(R.H. DRIVE CARS ONLY)

Part No.	Description	Plate No.	No. per Unit	Remarks
C.19968	BRAKE MASTER CYLINDER ASSEMBLY (UPPER) OPERATING REAR BRAKES (VBM.4706)		1	Fitted to Chassis No. 850255 and subs. 860027 and subs. C.19968 MAY BE USED TO REPLACE C.17235.
8981	Spring Support, at rear end of Cylinder Body (VBO.8599)		1	
8539	Valve (VBO.7106)		1	
8982	Piston (VBO.8600)		1	
8540	Push Rod (VBO.7515)		1	
8541	Washer, on Push Rod (VBO.7023/1)		1	
8542	Locknut, on Push Rod (VBO.6054)		1	
	All other items are as for Master Cylinder C.17234.			
8666	REPAIR KIT FOR SERVICING OF BRAKE MASTER CYLINDERS (VBO.8062)		2	
	(COMPRISING CUP SEAL, STATIC SEAL, VALVE SEAL, DUST EXCLUDER AND TUBE OF RUBBER GREASE)			
UFS.131/8R	Screw, Set, securing Master Cylinders to Bracket on Pedal Housing		4	
C.8667/2	Nut, Self-Locking, on Setscrews		4	
C.17389	HYDRAULIC PIPE ASSEMBLY FROM FRONT BRAKES MASTER CYLINDER TO 4-WAY UNION (VBO.7449)	28-23	1	
C.17464	4-WAY UNION (VBO.7301)	28-24	1	
UFB.131/24R	Bolt, securing 4-Way Union to Cross Member		1	
C.8667/2	Nut, Self-Locking, on Bolt		1	
C.17391	HYDRAULIC PIPE ASSEMBLY FROM 4-WAY UNION TO R.H. FRONT FLEXIBLE HOSE (VBO.7370)	28-25	1	

HYDRAULIC BRAKE PIPES

(R.H. DRIVE CARS ONLY)

Part No.	Description	Plate No.	No. per Unit	Remarks
C.17392	HYDRAULIC PIPE ASSEMBLY FROM 4-WAY UNION TO L.H. FRONT FLEXIBLE HOSE (VBO.7372)	28-26	1	
C.13182	FRONT FLEXIBLE HOSE (WDO.22680/16$\frac{1}{2}$)	28-27	2	
UFN.237/L	Locknut, securing ends of Flexible Hoses to Brackets on Front Frame and Stub Axle Carriers		4	
C.741	Washer, Shakeproof, under Locknuts		4	
C.17393	HYDRAULIC PIPE ASSEMBLY FROM FRONT FLEXIBLE HOSE TO BRAKE CALIPER (VBO.7371)	28-28	2	
C.17395	HYDRAULIC PIPE ASSEMBLY FROM REAR BRAKES MASTER CYLINDER TO PIPE CONNECTOR (VBO.7450)	28-29	1	
C.13187	PIPE CONNECTOR (VBO.1766)	28-30	1	
C.17459	HYDRAULIC PIPE ASSEMBLY FROM PIPE CONNECTOR TO REAR FLEXIBLE HOSE (VBO.7373)	28-31	1	
C.13188	REAR FLEXIBLE HOSE (WDO.22681/13$\frac{3}{4}$)	28-32	1	
UFN.237/L	Locknut, securing Rear Flexible Hose to Bracket on Body		1	
C.741	Washer, Shakeproof, under Locknut		1	
C.11239	Copper Gasket, at connection of Hose to 3-Way Union (KL.44516)		1	

HYDRAULIC BRAKE PIPES

(R.H. DRIVE CARS ONLY)

Part No.	Description	Plate No.	No. per Unit	Remarks
C.18834	3-WAY UNION (VBO.1227)	28-33	1	
UFS.131/5R	Screw, Set, securing 3-Way Union to edge of Rear Suspension Cross Member		1	
UFN.131/L	Nut, on Setscrew		1	
C.740	Washer, Shakeproof, under Nut		1	
C.17397	HYDRAULIC PIPE ASSEMBLY FROM 3-WAY UNION TO R.H. REAR CALIPER (VBO.7374)	28-34	1	
C.17398	HYDRAULIC PIPE ASSEMBLY FROM 3-WAY UNION TO L.H. REAR CALIPER (VBO.7375)	28-35	1	
C.3727	CLIP, SECURING HYDRAULIC PIPES	28-36	2	
C.10268	CLIP, SECURING HYDRAULIC PIPES	28-37	4	

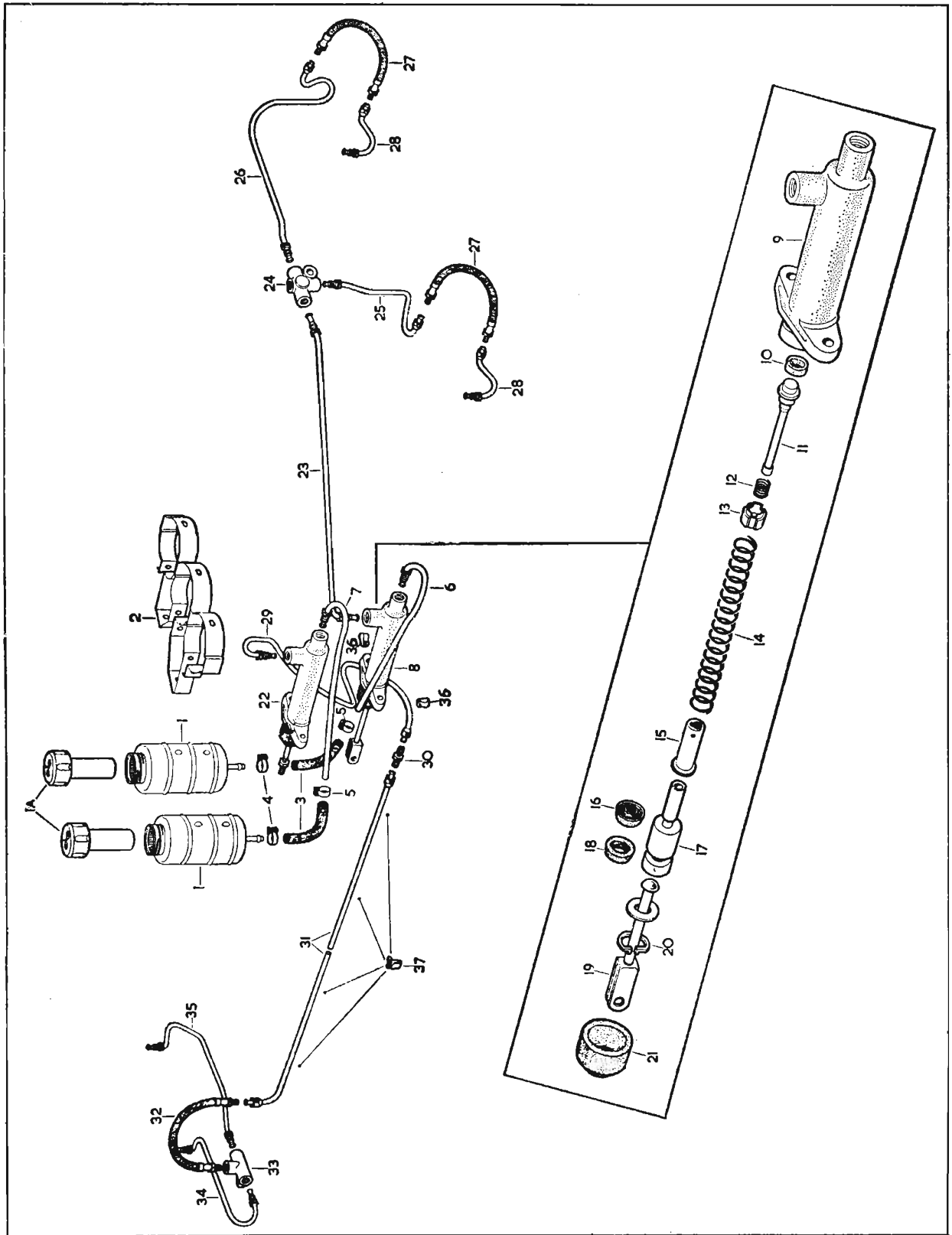


PLATE 28

HYDRAULIC BRAKE PIPES

(L.H. DRIVE CARS ONLY)

Part No.	Description	Plate No.	No. per Unit	Remarks
C.18617	RESERVOIR ASSEMBLY FOR BRAKE FLUID (COMPLETE WITH FILLER CAP AND LEVEL INDICATOR)	29- 1	2	} Fitted from Chassis No. 875001 to 877556. 885001 to 886282.
C.18197	Filler Cap and Level Indicator	29-1A	2	
C.21896	RESERVOIR ASSEMBLY FOR BRAKE FLUID (COMPLETE WITH FILLER CAP AND LEVEL INDICATOR)		2	} Fitted to Chassis No. 877557 and subs. 886283 and subs.
C.21889	Filler Cap and Level Indicator		2	
C.21890	Protective Cap over Indicator Plunger		2	
C.18693	BRACKET ASSEMBLY FOR MOUNTING OF FLUID RESERVOIRS	29- 2	1	} Fitted from Chassis No. 875001 to 877556. 885001 to 886282.
UFS.125/4R C.8667/1	Screw, Set, clamping Reservoir Clips Nut, Self-Locking, on Setscrews		3 3	
C.20234	BRACKET FOR MOUNTING OF FLUID RESERVOIRS		1	
C.19497	CLAMP, SECURING RESERVOIRS TO BRACKET		2	} Fitted to Chassis No. 877557 and subs. 886283 and subs.
C.20235 C.8737/1	Stud, securing Clamp Nut, Self-Locking, on Studs		2 4	
C.17812	BRACKET ASSEMBLY, FOR FIXING OF RESERVOIR BRACKET TO L.H. SIDE MEMBER	29- 3	2	
C.17811 UFS.125/9R UFN.125/L C.724	Clamping Piece, for Brackets Screw, Set, through Clamps Nut, on Setscrews Washer, Shakeproof, under Nuts	29- 4	2 2 2 2	
C.18695	SHIELD ASSEMBLY, PROTECTING RESERVOIRS FROM EXHAUST HEAT	29- 5	1	
UFS.131/7R	Screw, Set, securing Shield and Reservoir Bracket to Fixing Bracket		4	} Fitted from Chassis No. 875001 to 877556. 885001 to 886282.
C.18698	Spacer, on Setscrews		4	
FW.105/T	Washer, Plain, on Setscrews		8	
UFN.131/L C.725	Nut, on Setscrews Washer, Shakeproof, under Nut		4 4	
FW.105/T UFN.131/L C.725 C.21255	Washer, Plain, on Setscrews Nut, on Setscrews Washer, Shakeproof, on Setscrews Nut Retainer Clip		6 2 4 2	

HYDRAULIC BRAKE PIPES

(L.H. DRIVE CARS ONLY)

Part No.	Description	Plate No.	No. per Unit	Remarks
C.18717	LOW PRESSURE HOSE FROM RESERVOIR TO PIPE	29- 6	2	
C.15886/5	Clip, securing Hose to Reservoirs	29- 7	2	
C.15886/4	Clip, securing Hose to Hydraulic Pipes	29- 8	2	
C.18715	HYDRAULIC PIPE ASSEMBLY FROM HOSE TO FRONT BRAKES MASTER CYLINDER (LOWER)	29- 9	1	
C.18714	HYDRAULIC PIPE ASSEMBLY FROM HOSE TO REAR BRAKES MASTER CYLINDER (UPPER)	29-10	1	
C.17234	BRAKE MASTER CYLINDER ASSEMBLY (LOWER) OPERATING FRONT BRAKES (VBM.4038)	29-11	1	Fitted from Chassis No. 875001 to 876014. 885001 to 885155.
8528	Body only (VBM.4126)	29-12	1	
8296	Seal, on Valve (VBO.4842)	29-13	1	
7676	Valve (VBO.3539)	29-14	1	
6943	Spring, on Valve (VBO.1410)	29-15	1	
8531	Spring Support, at forward end of Cylinder Body (VBM.4423)	29-16	1	
8532	Main Spring (VBO.7008)	29-17	1	
8530	Spring Support, at rear end of Cylinder Body (VBO.7010)	29-18	1	
8533	Cup Seal, on Piston (VBO.8205)	29-19	1	
8529	Piston (VBO.7007)	29-20	1	
8536	Static Seal, on Piston (VBO.4998)	29-21	1	
8537	Push Rod Assembly (VBO.7173)	29-22	1	
8535	Circlip, retaining Push Rod in Cylinder Body (VBO.7024)	29-23	1	
8534	Dust Excluder, over end of Cylinder Body (VBO.7022)	29-24	1	
C.19967	BRAKE MASTER CYLINDER ASSEMBLY (LOWER) OPERATING FRONT BRAKES (VBM.4705)		1	Fitted to Chassis No. 876015 and subs. 885156 and subs. C.19967 MAY BE USED TO REPLACE C.17234.
8981	Spring Support, at rear end of Cylinder Body (VBO.8599)		1	
8983	Piston (VBO.8612)		1	
	All other items are as for Master Cylinder C.17234.			
C.17235	BRAKE MASTER CYLINDER ASSEMBLY (UPPER) OPERATING REAR BRAKES (VBM.4039)	29-25	1	Fitted from Chassis No. 875001 to 876014. 885001 to 885155.
8539	Valve (VBO.7106)		1	
8538	Piston (VBO.7105)		1	
8540	Push Rod (VBO.7515)		1	
8541	Washer, on Push Rod (VBO.7023/1)		1	
8542	Locknut, on Push Rod (VBO.6054)		1	
	All other items are as for Master Cylinder C.17234			

HYDRAULIC BRAKE PIPES

(L.H. DRIVE CARS ONLY)

Part No.	Description	Plate No.	No. per Unit	Remarks
C.19968	BRAKE MASTER CYLINDER ASSEMBLY (UPPER) OPERATING REAR BRAKES (VBM.4706)		1	Fitted to Chassis No. 876015 and subs. 885156 and subs. C.19968 MAY BE USED TO REPLACE C.17235.
8981	Spring Support, at rear end of Cylinder Body (VBO.8599)		1	
8539	Valve (VBO.7106)		1	
8982	Piston (VBO.8600)		1	
8540	Push Rod (VBO.7515)		1	
8541	Washer, on Push Rod (VBO.7023/1)		1	
8542	Locknut, on Push Rod (VBO.6054)		1	
	All other items are as for Master Cylinder C.17234.			
8666	REPAIR KIT FOR SERVICING OF BRAKE MASTER CYLINDERS (VBO.8062) (COMPRISING CUP SEAL, STATIC SEAL, VALVE SEAL, DUST EXCLUDER AND TUBE OF RUBBER GREASE)		2	
UFS.131/8R	Screw, Set, securing Master Cylinders to Bracket on Pedal Housing		4	
C.8667/2	Nut, Self-Locking, on Setscrews		4	
C.17390	HYDRAULIC PIPE ASSEMBLY FROM FRONT BRAKES MASTER CYLINDER TO 4-WAY UNION (VBO. 7449)	29-26	1	
C.17464	4-WAY UNION (VBO.7301)	29-27	1	
UFB.131/24R	Bolt, securing 4-Way Union to Front Frame Cross Member		1	
C.8667/2	Nut, Self-Locking, on Bolt		1	
C.17465	HYDRAULIC PIPE ASSEMBLY FROM 4-WAY UNION TO R.H. FRONT FLEXIBLE HOSE (VBO.7651)	29-28	1	
C.17466	HYDRAULIC PIPE ASSEMBLY FROM 4-WAY UNION TO L.H. FRONT FLEXIBLE HOSE (VBO.7650)	29-29	1	

HYDRAULIC BRAKE PIPES

(L.H. DRIVE CARS ONLY)

Part No.	Description	Plate No.	No. per Unit	Remarks
C.13182	FRONT FLEXIBLE HOSE (WDO.22680/16½)	29-30	2	
UFN.237/L	Locknut, securing ends of Flexible Hoses to Brackets on Front Frame and Stub Axle Carriers		4	
C.741	Washer, Shakeproof, under Locknuts		4	
C.17393	HYDRAULIC PIPE ASSEMBLY FROM FRONT FLEXIBLE HOSES TO BRAKE CALIPER (VBO.7371)	29-31	2	
C.17396	HYDRAULIC PIPE ASSEMBLY FROM REAR BRAKES MASTER CYLINDER TO PIPE CONNECTOR (VBO.7643)	29-32	1	
C.13187	PIPE CONNECTOR (VBO.1766)	29-33	1	
C.17459	HYDRAULIC PIPE ASSEMBLY FROM PIPE CONNECTOR TO REAR FLEXIBLE HOSE (VBO.7373)	29-34	1	
C.13188	REAR FLEXIBLE HOSE (WDO.22681/13¾)	29-35	1	
UFN.237/L	Locknut, securing Rear Flexible Hose to Bracket on Body		1	
C.741	Washer, Shakeproof, under Locknut		1	
C.11239	Copper Gasket, at connection of Hose to 3-Way Union (K.L.44516)		1	

HYDRAULIC BRAKE PIPES

(L.H. DRIVE CARS ONLY)

Part No.	Description	Plate No.	No. per Unit	Remarks
C.18834	3-WAY UNION (VBO.1227)	29-36	1	
UFS.131/5R	Screw, Set, securing 3-Way Union to edge of Rear Suspension Cross Member		1	
UFN.131/L	Nut, on Setscrew		1	
C.740	Washer, Shakeproof, under Nut		1	
C.17824	HYDRAULIC PIPE ASSEMBLY FROM 3-WAY UNION TO R.H. REAR CALIPER (VBO.7653)	29-37	1	
C.17825	HYDRAULIC PIPE ASSEMBLY FROM 3-WAY UNION TO L.H. REAR CALIPER (VBO.7654)	29-38	1	
C.5023	CLIP, SECURING HYDRAULIC PIPES	29-39	4	
C.18461	EDGE CLIP, SECURING HYDRAULIC PIPES	29-40	2	

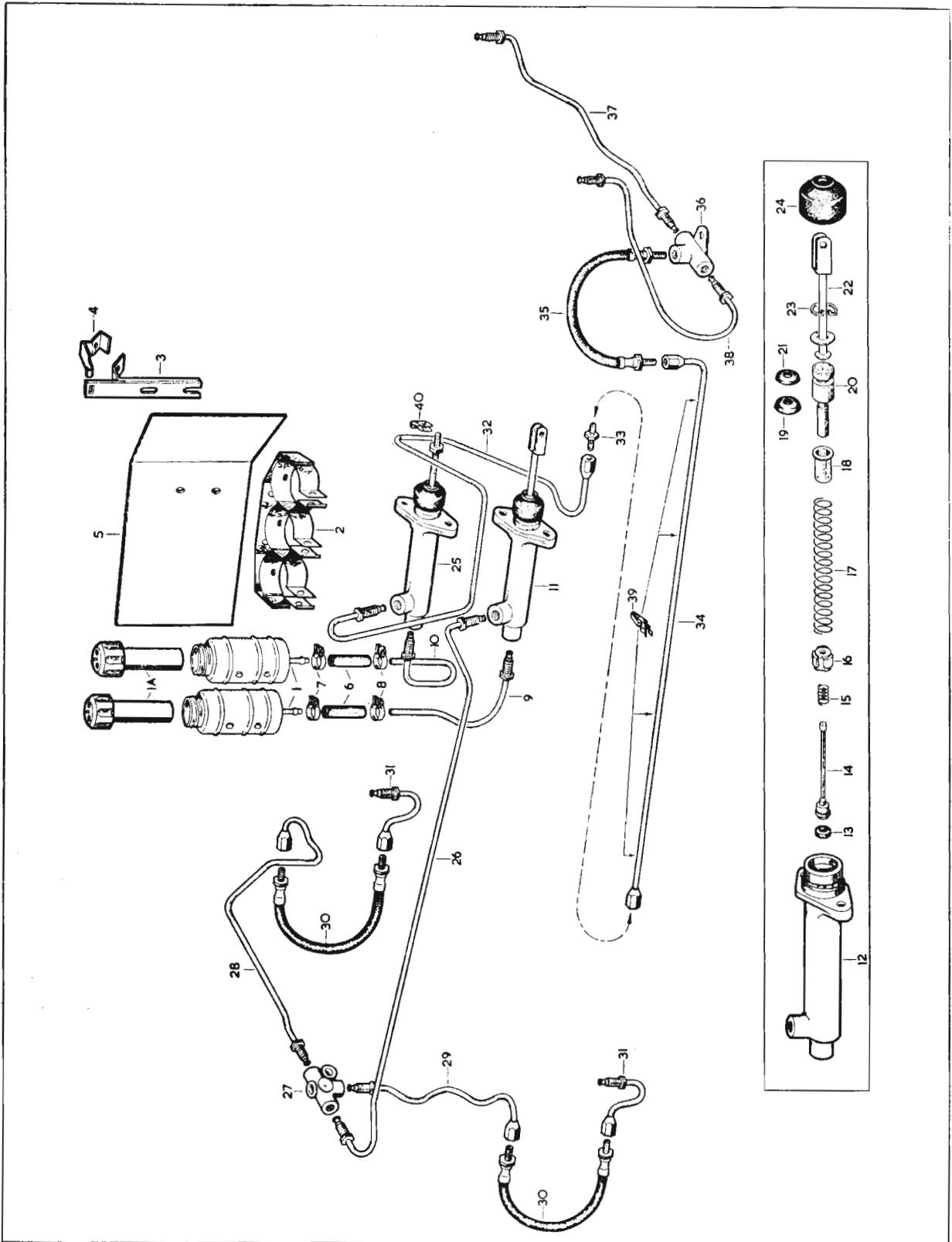


PLATE 29

FRONT FRAME

Part No.	Description	Plate No.	No. per Unit	Remarks
C.20352	FRONT SUB-FRAME ASSEMBLY	35- 1	1	
C.15014	FRONT CROSS MEMBER ASSEMBLY	35- 2	1	
C.15029	R.H. SIDE MEMBER ASSEMBLY	35- 3	1	
C.15030	L.H. SIDE MEMBER ASSEMBLY	35- 4	1	
UFB.131/25R	Bolt , securing Side Members and Front Sub-Frame to Cross Member at top and fixing Hydraulic Brakes 4-Way Union		1	FITTED AT R.H. SIDE ON R.H. DRIVE CARS AND L.H. SIDE ON L.H. DRIVE CARS.
UFB.131/20R	Bolt , securing upper front Fulcrum Mounting Plates, Side Members and Front Sub-Frame to Cross Member at top		7	
UFB.131/31R	Bolt , securing lower front Fulcrum Blocks, Side Members, Front Sub-Frame and Anti-Roll Bar Brackets to Cross Member at bottom		2	
UFB.131/19R	Bolt , securing lower front Fulcrum Blocks, Side Members and Front Sub-Frame to Cross Member at bottom		6	
UFB.131/18R	Bolt , securing Side Members and Front Sub-Frame to Cross Member at bottom		4	
C.15045	Packing Plate , between attachment flange of Side Members and lower rail of Cross Member		2	
C.17510	Bracket , on Cross Member side channels, for Front Brake Hoses		2	
UFS.131/6R	Screw , Set, securing Brackets to Cross Member		2	
C.8667/2	Nut , Self-Locking, on Bolts and Setscrews		22	
UFS.131/7R	Screw , Set, securing Side Members to Dash		24	
C.8667/2	Nut , Self-Locking, on Setscrews		12	
FW.105/T	Washer , Plain, under Nuts		12	
UFB.137/18R	Bolt , securing Side Members to Body Underframe Channels		2	
C.8667/3	Nut , Self-Locking, on Bolts		2	
FW.106/T	Washer , Plain, under Nuts		2	

FRONT FRAME

Part No.	Description	Plate No.	No. per Unit	Remarks
C.19326	BONNET HINGE	35- 5	2	
C.16804	Nylon Bush , for Bonnet Hinges	35- 6	4	
C.19330	Bearing (Steel) for Bonnet Hinges	35- 7	2	
UFB.137/18R	Bolt , securing Bonnet Hinges to Front Sub Frame		2	
FG.106/X	Washer , Spring, on Bolts		2	
C.19179	REACTION PLATE, BETWEEN SIDE MEMBERS AT REAR, STIFFENING TORSION BAR ANCHOR BRACKET MOUNTINGS	35- 8	1	
C.18730	Bolt , securing Reaction Plate and Torsion Bar Anchor Brackets to Side Members		4	
C.8667/3	Nut , Self-Locking, on Bolts		4	
C.8060	Bolt , securing Reaction Plate to Body Underframe Channels through Side Members		2	
C.8667/5	Nut , Self-Locking, on Bolts		2	

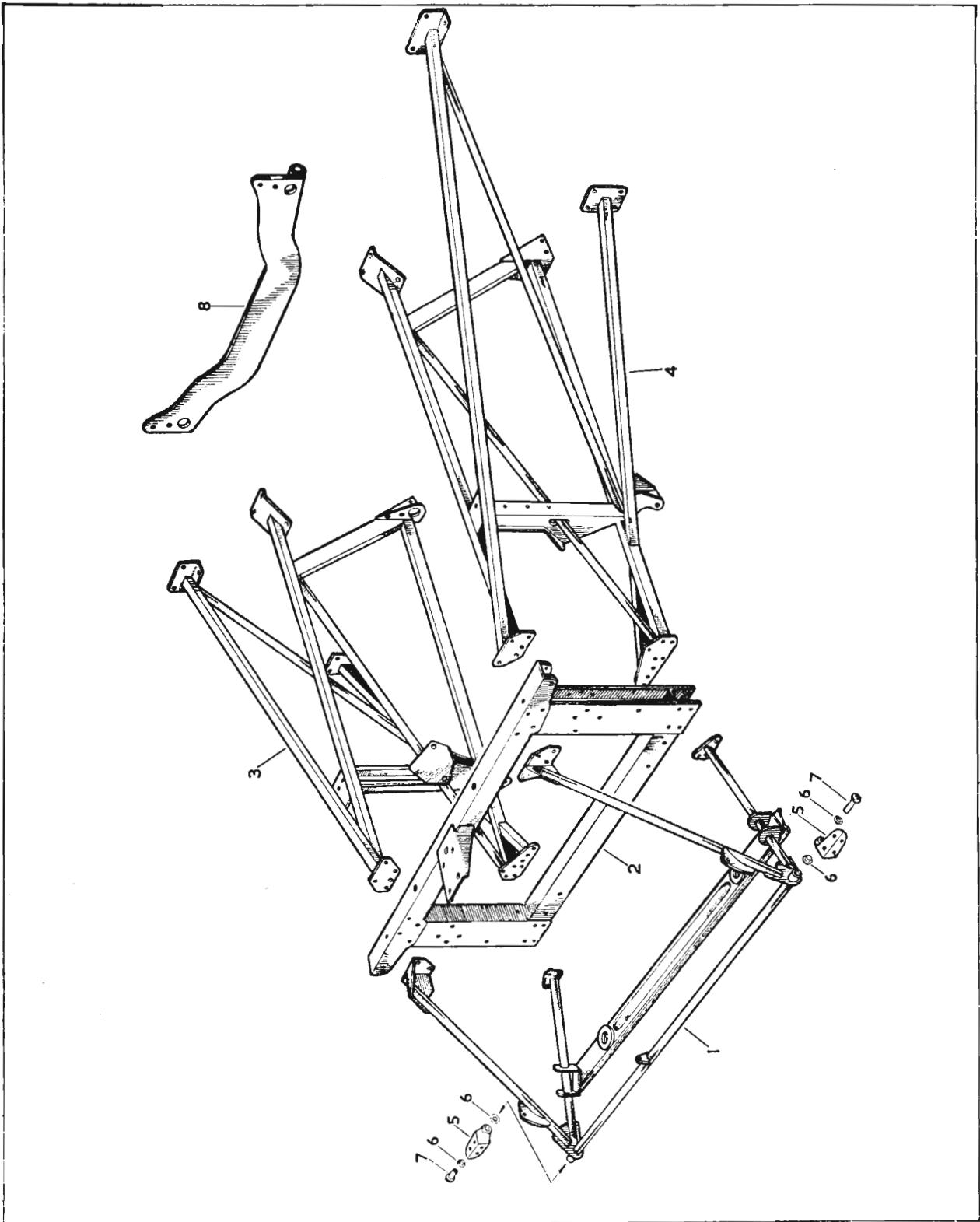


PLATE 35

BODY SHELL

FOR OPEN CARS ONLY

Part No.	Description	Plate No.	No. per Unit	Remarks
BD.22825	BODY SHELL ASSEMBLY, COMPLETE		1	
BD.22823	Underframe Assembly		1	
BD.19929	Bonnet and Front Wings Assembly		1	
C.20352	Front Sub-Frame Assembly		1	} FOR FIXINGS TO MAIN BODY PORTION, PLEASE REFER TO SECTION FOR FRONT FRAME.
C.15014	Front Cross Member Assembly		1	
C.15029	R.H. Side Member Assembly		1	
C.15030	L.H. Side Member Assembly		1	
C.19326	Hinge, for Bonnet		2	
BD.15168	Door Shell Assembly, R.H.		1	
BD.15169	Door Shell Assembly, L.H.		1	
BD.15495	Hinge Assembly, for R.H. Door		1	
BD.15496	Hinge Assembly, for L.H. Door		1	
BD.14768	Scuttle Top Panel		1	
BD.16547	R.H. Windscreen Pillar Assembly		1	
BD.16548	L.H. Windscreen Pillar Assembly		1	
BD.15217	Filler Panel, between R.H. Screen Pillar and Scuttle Top Panel		1	
BD.15218	Filler Panel, between L.H. Screen Pillar and Scuttle Top Panel		1	
BD.15467	Closing Panel, under R.H. Screen Pillar		1	
BD.15468	Closing Panel, under L.H. Screen Pillar		1	
BD.17069	Corner Panel, Dash to Scuttle Top, R.H.		1	
BD.17070	Corner Panel, Dash to Scuttle Top, L.H.		1	
BD.15180	Exterior Panel Assembly, R.H. Dash side		1	
BD.15181	Exterior Panel Assembly, L.H. Dash side		1	
BD.15133	R.H. Sill Outer Panel		1	
BD.15134	L.H. Sill Outer Panel		1	
BD.15184	End Plate, at front of R.H. Sill		1	
BD.15187	Bracket Assembly, at front of R.H. Sill, mounting Air Cleaner		1	
BD.15185	End Plate Assembly, at front of L.H. Sill		1	
BD.15186	Bracket Assembly, at front of L.H. Sill, mounting Battery Tray		1	
BD.19586	Bracket Assembly, for Jack Location		1	
BD.15188	Panel Assembly, lower rear		1	
BD.15190	Tonneau Panel and Rear Wings Assembly		1	
BD.18872	Top Quarter Panel Assembly, R.H.		1	
BD.18873	Top Quarter Panel Assembly, L.H.		1	
BD.15934	Lid Assembly, for Petrol Filler Box		1	
BD.18945	Filler Panel, seating R.H. Stop/Tail Lamp		1	
BD.18946	Filler Panel, seating L.H. Stop/Tail Lamp		1	
BD.18952	Fixing Bracket, inner, for R.H. Stop/Tail Lamp		1	
BD.19532	Fixing Bracket, outer, for R.H. Stop/Tail Lamp		1	
BD.18953	Fixing Bracket, inner, for L.H. Stop/Tail Lamp		1	
BD.19533	Fixing Bracket, outer, for L.H. Stop/Tail Lamp		1	
BD.15172	Boot Lid Shell Assembly		1	
BD.19211	R.H. Hinge Assembly, for Boot Lid		1	
BD.19212	L.H. Hinge Assembly, for Boot Lid		1	

BODY UNDERFRAME AND PANELS FOR OPEN CARS ONLY

Part No.	Description	Plate No.	No. per Unit	Remarks
BD.15170	BODY UNDERFRAME ASSEMBLY		1	Fitted from Chassis No. 850001 to 850526. 875001 to 877355.
BD.15171	Floor Assembly		1	Fitted from Chassis No. 850001 to 850357. 875001 to 876381.
BD.23141	Floor Assembly		1	Fitted from Chassis No. 850358 to 850526. 876382 to 877353.
BD.15196	Rear End Assembly		1	
BD.22823	BODY UNDERFRAME ASSEMBLY		1	} Fitted to Chassis No. 850527 and subs. 877356 and subs.
BD.22819	Floor Assembly	36- 1	1	
BD.23101	Rear End Assembly		1	
BD.15171	FLOOR ASSEMBLY		1	} Fitted from Chassis No. 850001 to 850357. 875001 to 876381.
BD.19238	Bracket Assembly, for Exhaust Silencer Mounting		4	
BD.23141	FLOOR ASSEMBLY (COMPLETE WITH HEEL WELLS)		1	} Fitted from Chassis No. 850358 to 850526. 876382 to 877355.
BD.15131/2	Heel Well only		2	
BD.19238	Bracket Assembly, for Exhaust Silencer Mounting		4	
BD.22819	FLOOR ASSEMBLY (COMPLETE WITH HEEL WELLS)	36- 1	1	} Fitted to Chassis No. 850527 and subs. 877356 and subs.
BD.15131/2	Heel Well only		2	
BD.19238	Bracket Assembly, for Exhaust Silencer Mounting		4	
BD.15588/1	Plastic Plug, in Floor ($\frac{3}{8}$ " dia.)		26	R.H. DRIVE CARS ONLY.
BD.15588/2	Plastic Plug, in Floor ($\frac{1}{2}$ " dia.)		2	
BD.15588/4	Plastic Plug, in Floor ($\frac{3}{4}$ " dia.)		2	
BD.15588/5	Plastic Plug, in Floor ($\frac{3}{8}$ " dia.)		10	
BD.19902	Plastic Plug, in Floor		1	
BD.22756	Plastic Plug, in Floor (Safety Harness)		4	

BODY UNDERFRAME AND PANELS

FOR OPEN CARS ONLY

Part No.	Description	Plate No.	No. per Unit	Remarks
BD.15196	REAR END ASSEMBLY		1	
BD.16650	Tunnel Assembly	36- 2	1	} Fitted from Chassis No. 850001 to 850526. 875001 to 877355.
BD.15223	Shut Pillar Assembly, R.H.	36- 3	1	
BD.15224	Shut Pillar Assembly, L.H.	36- 4	1	
BD.18839	Support Panel, for R.H. Rear Quarter	36- 5	1	
BD.18840	Support Panel, for L.H. Rear Quarter	36- 6	1	
BD.18831	Mounting Panel, R.H., for Hoodsticks		1	
BD.18832	Mounting Panel, L.H., for Hoodsticks		1	
BD.15232	Wheel Arch Panel Assembly, R.H. Forward	36- 7	1	
BD.15233	Wheel Arch Panel Assembly, L.H. Forward	36- 8	1	
BD.15225	Wheel Arch Panel Assembly, R.H. Rear	36- 9	1	
BD.15226	Wheel Arch Panel Assembly, L.H. Rear	36-10	1	
BD.15230	Valance Assembly, behind R.H. Wheel Arch	36-11	1	
BD.15231	Valance Assembly, behind L.H. Wheel Arch	36-12	1	
BD.22693	Floor Panel Assembly, Rear	36-13	1	
BD.20162	Cross Member Assembly, for Rear Floor	36-14	1	
BD.17445	Stiffening Bracket, at sides of Rear Cross Member	36-15	2	
BD.19077	Bracket Assembly, R.H., for mounting of Rear Suspension Cross Member		1	
BD.19078	Bracket Assembly, L.H., for mounting of Rear Suspension Cross Member		1	
BD.17442	Top Panel Assembly, above Rear Floor	36-16	1	
BD.19681	Rear Bulkhead Panel Assembly	36-17	1	
BD.15228	Panel Assembly, for front of Spare Wheel Compartment	36-18	1	
BD.15238	Reinforcement Angle, between Spare Wheel Compartment Panel and Top Panel		1	
BD.18963	Shield, for Interior Light	36-19	1	
BD.16212	Panel Assembly, reinforcing Tonneau	36-20	1	
BD.18949	Bracket Assembly, mounting R.H. Hinge for Boot Lid		1	
BD.18950	Bracket Assembly, mounting L.H. Hinge for Boot Lid		1	
BD.20504	Extension, between R.H. Hinge Bracket and Rear Bulkhead Panel		1	
BD.20505	Extension, between L.H. Hinge Bracket and Rear Bulkhead Panel		1	
BD.23101	REAR END ASSEMBLY		1	} Fitted to Chassis No. 850527 and subs. 877356 and subs.
BD.22808	Floor Panel Assembly, rear		1	
BD.22816	Stiffening Bracket, at R.H. side of Rear Cross Member		1	
BD.22817	Stiffening Bracket, at L.H. side of Rear Cross Member		1	
All other items are as for Rear End Assembly BD.15196.				
BD.19221	Extension, on R.H. Shut Pillar, for Door Seal Retainer		1	
BD.19222	Extension, on L.H. Shut Pillar, for Door Seal Retainer		1	
BD.19132	Bracket Assembly, for mounting of Rear Suspension Bump Stop Rubbers		2	
BD.15137	Panel Assembly, at R.H. side of Gearbox	36-21	1	
BD.15138	Panel Assembly, at L.H. side of Gearbox	36-22	1	
BD.15198	Reinforcement Panel, for R.H. Shut Pillar	36-23	1	
BD.15994	Closing Panel, for R.H. Shut Pillar	36-24	1	
BD.15199	Reinforcement Panel, for L.H. Shut Pillar	36-25	1	
BD.15995	Closing Panel, for L.H. Shut Pillar	36-26	1	
BD.17456	Support Panel, for Shut Pillars		2	
BD.18368	Reinforcement Panel, lower rear, for Propeller Shaft Tunnel		1	
BD.15982	Reinforcement Panel, at rear of R.H. Sill	36-27	1	
BD.15983	Reinforcement Panel, at rear of L.H. Sill	36-28	1	
BD.16488	Reinforcement Panel, at front of Sills	36-29	2	
BD.15202	Closing Panel, for front of R.H. Sill	36-30	1	
BD.15203	Closing Panel, for front of L.H. Sill	36-31	1	
BD.14918	Reinforcement Panel, for R.H. Dash side		1	
BD.14919	Reinforcement Panel, for L.H. Dash side	36-32	1	
BD.16942	Closing Panel Assembly, R.H. lower Dash front		1	
BD.16943	Closing Panel, L.H. lower Dash front		1	

BODY UNDERFRAME AND PANELS FOR OPEN CARS ONLY

Part No.	Description	Plate No.	No. per Unit	Remarks
BD.15180	EXTERIOR PANEL ASSEMBLY, R.H. DASH SIDE	36-33	1	
BD.15181	EXTERIOR PANEL ASSEMBLY, L.H. DASH SIDE	36-34	1	
BD.15133	R.H. SILL OUTER PANEL	36-35	1	
BD.15184	End Plate, at front of R.H. Sill		1	
BD.15187	Bracket Assembly, at side of R.H. Sill for Mounting Air Cleaner		1	
BD.15134	L.H. SILL OUTER PANEL	36-36	1	
BD.15185	End Plate Assembly, at front of L.H. Sill		1	
BD.15186	Bracket Assembly, at side of L.H. Sill for Mounting Battery Tray		1	
BD.19586	BRACKET, UNDER SILLS, FOR JACK LOCATION		2	
BD.15168	DOOR SHELL ASSEMBLY, R.H.		1	Fitted from Chassis No. 850001 to 850506. 875001 to 877201.
BD.15178	Outer Panel Assembly, for R.H. Door		1	
BD.15453	Inner Panel Assembly, for R.H. Door		1	
BD.21030	Drain Tray, at top of R.H. Door		1	
BD.11712/2	Pop Rivet, securing Drain Tray		2	
BD.20878	Shroud, for Drain Holes at bottom of Door		2	
BD.1814/1	Pop Rivet, securing Shroud		6	
BD.21180	Drain Tube, Rubber, for Trays		1	
BD.20978	Shroud, for Drain Holes at front of Door		1	
BD.20979	Shroud, for Drain Holes at rear of Door		1	
BD.1814/2	Pop Rivet, securing Shrouds at front and rear of Door		7	
BD.15169	DOOR SHELL ASSEMBLY, L.H.		1	
BD.15179	Outer Panel Assembly, for L.H. Door		1	
BD.15454	Inner Panel Assembly, for L.H. Door		1	
BD.21031	Drain Tray, at top of L.H. Door		1	
All other items are as for Door Shell Assembly BD.15168.				

BODY UNDERFRAME AND PANELS

FOR OPEN CARS ONLY

Part No.	Description	Plate No.	No. per Unit	Remarks
BD.21317	DOOR SHELL ASSEMBLY, R.H.	36-37	1	} Fitted to Chassis No. 850507 and subs. 877202 and subs.
BD.21319	Outer Panel Assembly, for R.H. Door		1	
BD.15453	Inner Panel Assembly, for R.H. Door		1	
BD.21030	Drain Tray, at top of R.H. Door		1	
	All other items are as for Door Shell Assembly BD.15168.			
BD.21318	DOOR SHELL ASSEMBLY, L.H.	36-38	1	
BD.21320	Outer Panel Assembly, for L.H. Door		1	
BD.15454	Inner Panel Assembly, for L.H. Door		1	
BD.21031	Drain Tray, at top of L.H. Door		1	
	All other items are as for Door Shell Assembly BD.15168.			
BD.15495	HINGE ASSEMBLY FOR R.H. DOOR	36-39	1	
BD.15496	HINGE ASSEMBLY FOR L.H. DOOR	36-40	1	
C.16168	Grease Nipple, for Door Hinges (Tec.YH.109)		2	
BD.22662	CHECK ARM ASSEMBLY FOR DOORS	36-41	2	
BD.22661	Brass Cam, for Check Arms		2	} Self-Tapping Screw BD.17503/1 may be required for some cars.
UCS.519/4H	Screw, Set, Csk. Hd., securing Cam to Check Arms		4	
UFS.425/5H	Screw, Set, securing Check Arm to Door Hinges		4	
C.724	Washer, Shakeproof, on Setscrews		4	
BD.17034/5	Screw, Set, securing Hinge to Doors		8	
BD.711/20	Screw, Self-Tapping, securing Hinge to Doors		4	
BD.13565/3	Screw, Set, securing Hinges to Body		8	
FG.105/X	Washer, Spring, on Setscrews		8	
BD.15191	REAR WING ASSEMBLY, R.H.	36-42	1	
BD.15192	REAR WING ASSEMBLY, L.H.	36-43	1	

BODY UNDERFRAME AND PANELS

FOR OPEN CARS ONLY

Part No.	Description	Plate No.	No. per Unit	Remarks
BD.15933	PETROL FILLER BOX ASSEMBLY, IN L.H. WING	36-44	1	
BD.15189	TONNEAU TOP PANEL	36-45	1	
BD.18801	SUPPORT PANEL ASSEMBLY, UNDER FRONT OF TONNEAU TOP PANEL	36-46	1	
BD.15219	TONNEAU REAR PANEL ASSEMBLY	36-47	1	
BD.18872	TOP QUARTER PANEL ASSEMBLY, R.H.	36-48	1	
BD.18873	TOP QUARTER PANEL ASSEMBLY, L.H.	36-49	1	
BD.15172	BOOT LID SHELL ASSEMBLY	36-50	1	
BD.20622	R.H. HINGE ASSEMBLY FOR BOOT LID	36-51	1	
BD.19204	Leaf Spring , on Hinge		5	
UFS.119/4R	Screw , Set, securing Springs to Bracket		1	
UFN.119/L	Nut , on Setscrew		1	
C.723/A	Washer , Shakeproof, under Nut		1	
AW.102/T	Washer , Plain, on Setscrew		2	
BD.20628	Anchor Pin , for Spring		1	
BD.19202	Distance Tube , on Anchor Pin		1	
BD.19203	Distance Collar , below Tube		1	

BODY UNDERFRAME AND PANELS

FOR OPEN CARS ONLY

Part No.	Description	Plate No.	No. per Unit	Remarks
BD.20623	L.H. HINGE ASSEMBLY FOR BOOT LID	36-52	1	
BD.19204	Leaf Spring , on Hinge		5	
UFS.119/4R	Screw , Set, securing Springs to Bracket		1	
UFN.119/L	Nut , on Setscrew		1	
C.723/A	Washer , Shakeproof, under Nut		1	
AW.102/T	Washer , Plain, on Setscrew		2	
BD.20628	Anchor Pin , for Spring		1	
BD.19202	Distance Tube , on Anchor Pin		1	
BD.19203	Distance Collar , below Tube		1	
BD.8291/2	Screw , Set, securing Hinges to Boot Lid		4	
C.724	Washer , Shakeproof, on Setscrews		4	
FW.104/T	Washer , Plain, under Shakeproof Washers		4	
BD.13565/2	Screw , Set ($\frac{3}{8}$ " long) securing Hinges to Body		4	
C.725	Washer , Shakeproof, on Setscrews		4	
FW.105/T	Washer , Plain, under Shakeproof Washers		4	
BD.6265/1	Shim (.036" thick) for Hinges		As req'd	
BD.6265/2	Shim (.064" thick) for Hinges		As req'd	
UFN.125/L	Nut , securing Hinges to Body		4	
C.724	Washer , Shakeproof, under Nuts		4	
FW.104/T	Washer , Plain, under Shakeproof Washers		4	
BD.15934	LID ASSEMBLY FOR PETROL FILLER BOX	36-53	1	
BD.15932	HINGE ASSEMBLY FOR PETROL FILLER LID	36-54	1	
BD.8291/1	Screw , Set, securing Hinge to Lid and to Body		4	
C.724	Washer , Shakeproof, on Setscrews		4	
FW.104/T	Washer , Plain, under Shakeproof Washers		4	
BD.15930	SPRING, BETWEEN LID AND HINGE	36-55	1	
BD.15188	PANEL ASSEMBLY, LOWER REAR	36-56	1	
BD.18837	Lower Panel , R.H. Outer		1	
BD.18838	Lower Panel , L.H. Outer	36-57	1	
BD.16207	PANEL ASSEMBLY, FOR REAR NUMBER PLATE		1	
BD.18945	FILLER PANEL, SEATING R.H. STOP/ TAIL LAMP	36-58	1	
BD.18952	Fixing Bracket , inner, for R.H. Stop/Tail Lamp		1	
BD.18955	Fixing Bracket , outer, for R.H. Stop/Tail Lamp		1	

BODY UNDERFRAME AND PANELS

FOR OPEN CARS ONLY

Part No.	Description	Plate No.	No. per Unit	Remarks
BD.18946	FILLER PANEL, SEATING L.H. STOP/TAIL LAMP	36-59	1	
BD.18953	Fixing Bracket , inner, for L.H. Stop/Tail Lamp		1	
BD.18956	Fixing Bracket , outer, for L.H. Stop/Tail Lamp		1	
BD.16550	BONNET AND FRONT WINGS ASSEMBLY		1	Fitted from Chassis No. 850001 to 850091. 875001 to 875385.
BD.15174	Centre Panel Assembly , for Bonnet	37- 1	1	
BD.15175	Front Under Panel Assembly	37- 2	1	
BD.16557	Air Duct Lower Panel Assembly	37- 3	1	
BD.16839/2	Screw , Self-Tapping, securing Air Duct Panel to Valances		6	
UCS.125/5R	Screw , Set, securing Front Under Panel to Valances, Centre Panel and Wings		14	
UCN.125/L	Nut , on Setscrews		14	
FG.104/X	Washer , Spring, on Setscrews and Self-Tapping Screws		20	
BD.542/3	Washer , Special, on Setscrews and Self-Tapping Screws		34	
BD.15176	Front Wing Assembly , R.H.	37- 4	1	
BD.15177	Front Wing Assembly , L.H.	37- 5	1	
UCS.125/5R	Screw , Set, securing Wings to Centre Panel		18	
UCN.125/L	Nut , on Setscrews		18	
FG.104/X	Washer , Spring, under Nuts		18	
BD.542/3	Washer , Special, on Setscrews		36	
BD.19021	R.H. Valance and Air Duct Assembly	37- 6	1	
BD.19022	L.H. Valance and Air Duct Assembly	37- 7	1	
BD.16839/2	Screw , Self-Tapping, securing Valance and Duct Assemblies to Centre and Front Under Panels		23	
FG.104/X	Washer , Spring, on Self-Tapping Screws		23	
BD.542/3	Washer , Special, under Spring Washers		23	
BD.16422	R.H. Front Diaphragm Assembly , mounting Headlamp	37- 8	1	
BD.16423	L.H. Front Diaphragm Assembly , mounting Headlamp	37- 9	1	
UCS.125/5R	Screw , Set, securing Diaphragms to Wings		8	
UCN.125/L	Nut , on Setscrews		8	
BD.16839/2	Screw , Self-Tapping, securing Diaphragms to Valances, Wings and Front Under Panel		26	
FG.104/X	Washer , Spring, on Setscrews and Self-Tapping Screws		34	
BD.542/3	Washer , Special, on Setscrews and Self-Tapping Screws		42	
BD.22749	Sealing Panel , for R.H. Headlamp Diaphragm		1	
BD.22750	Sealing Panel , for L.H. Headlamp Diaphragm		1	
BD.22749/1	Felt , on Sealing Panel		4	
BD.1328/2	Rivet , securing Felt to Panel		8	
UFS.419/3H	Screw , Set, securing Sealing Panel		2	
UFN.119/L	Nut , on Setscrews		2	
C.723/A	Washer , Shakeproof, on Setscrews		2	
AW.102/T	Washer , Plain, under Shakeproof Washers		2	
BD.16381	R.H. Diaphragm Assembly , at rear of Bonnet	37-10	1	
BD.16382	L.H. Diaphragm Assembly , at rear of Bonnet	37-11	1	
UCS.125/5R	Screw , Set, securing Rear Diaphragms to Wings, Valances and Centre Panel		18	
UCN.125/L	Nut , on Setscrews		18	
BD.16839/2	Screw , Self-Tapping, securing Rear Diaphragms to Centre Panel		7	
FG.104/X	Washer , Spring, on Setscrews and Self-Tapping Screws		25	
BD.542/3	Washer , Special, on Setscrews and Self-Tapping Screws		43	
BD.18767	Reinforcing Angle , between Wings and Centre Panel at rear		2	
UFS.125/4R	Screw , Set, securing Reinforcing Angles		8	
FG.104/X	Washer , Spring, on Setscrews		8	
FW.104/T	Washer , Plain, under Spring Washers		8	

BODY UNDERFRAME AND PANELS

FOR OPEN CARS ONLY

Part No.	Description	Plate No.	No. per Unit	Remarks
BD.19929	BONNET AND FRONT WINGS ASSEMBLY		1	} Fitted to Chassis No. 850092 and subs. 875386 and subs.
BD.19930	Front Wing Assembly, R.H.		1	
BD.19931	Front Wing Assembly, L.H.		1	
	All other items are as for Bonnet and Front Wings Assembly BD.16550.			
C.16803	BONNET HINGE	37-12	2	} Fitted from Chassis No. 850001 to 850238. 875001 to 876457.
C.16804	Nylon Bush, in Hinges	37-13	4	
C.8667/5	Nut, Self-Locking, retaining Hinges on Sub Frame Cross Bar		2	
C.8676	Washer, Plain, under Self-Locking Nuts		2	
C.19326	BONNET HINGE		2	} Fitted to Chassis No. 850239 and subs. 876458 and subs.
C.16804	Nylon Bush, in Bonnet Hinges		4	
C.19330	Bearing (Steel), for Bonnet Hinges		2	
UFB.137/18R	Bolt, retaining Bonnet Hinges to Front Sub Frame		2	
FG.106/X	Washer, Spring, on Bolts		2	
BD.13565/6	Screw, Set, securing Hinges to Bonnet		4	
BD.13565/8	Screw, Set, securing Hinges to Bonnet		4	
C.725	Washer, Shakeproof, on Setscrews		8	
C.985	Washer, Plain, under Shakeproof Washers		8	
BD.18951	Shim (.064" thick) for Bonnet Hinges		As req'd	
BD.18951/1	Shim (.036" thick) for Bonnet Hinges		As req'd	
BD.20950/1	Special Shim (Slotted) (.036" thick) for Bonnet Hinges		As req'd	
BD.20950/2	Special Shim (Slotted) (.128" thick) for Bonnet Hinges		As req'd	
BD.20957	SCUTTLE TOP PANEL ASSEMBLY	37-14	1	
BD.16547	R.H. WINDSCREEN PILLAR ASSEMBLY	37-15	1	
BD.16548	L.H. WINDSCREEN PILLAR ASSEMBLY	37-16	1	
BD.15217	Filler Panel, between R.H. Windscreen Pillar and Scuttle Top Panel	37-17	1	
BD.15218	Filler Panel, between L.H. Windscreen Pillar and Scuttle Top Panel	37-18	1	

BODY UNDERFRAME AND PANELS

FOR OPEN CARS ONLY

Part No.	Description	Plate No.	No. per Unit	Remarks
BD.17069	CORNER PANEL, DASH TO SCUTTLE TOP PANEL, R.H.	37-19	1	
BD.17070	CORNER PANEL, DASH TO SCUTTLE TOP PANEL, L.H.	37-20	1	
BD.15467	CLOSING PANEL, UNDER R.H. WINDSCREEN PILLAR	37-21	1	
BD.15468	CLOSING PANEL, UNDER L.H. WINDSCREEN PILLAR	37-22	1	
BD.18710	FRAME ASSEMBLY MOUNTING STONEGUARD	37-23	1	

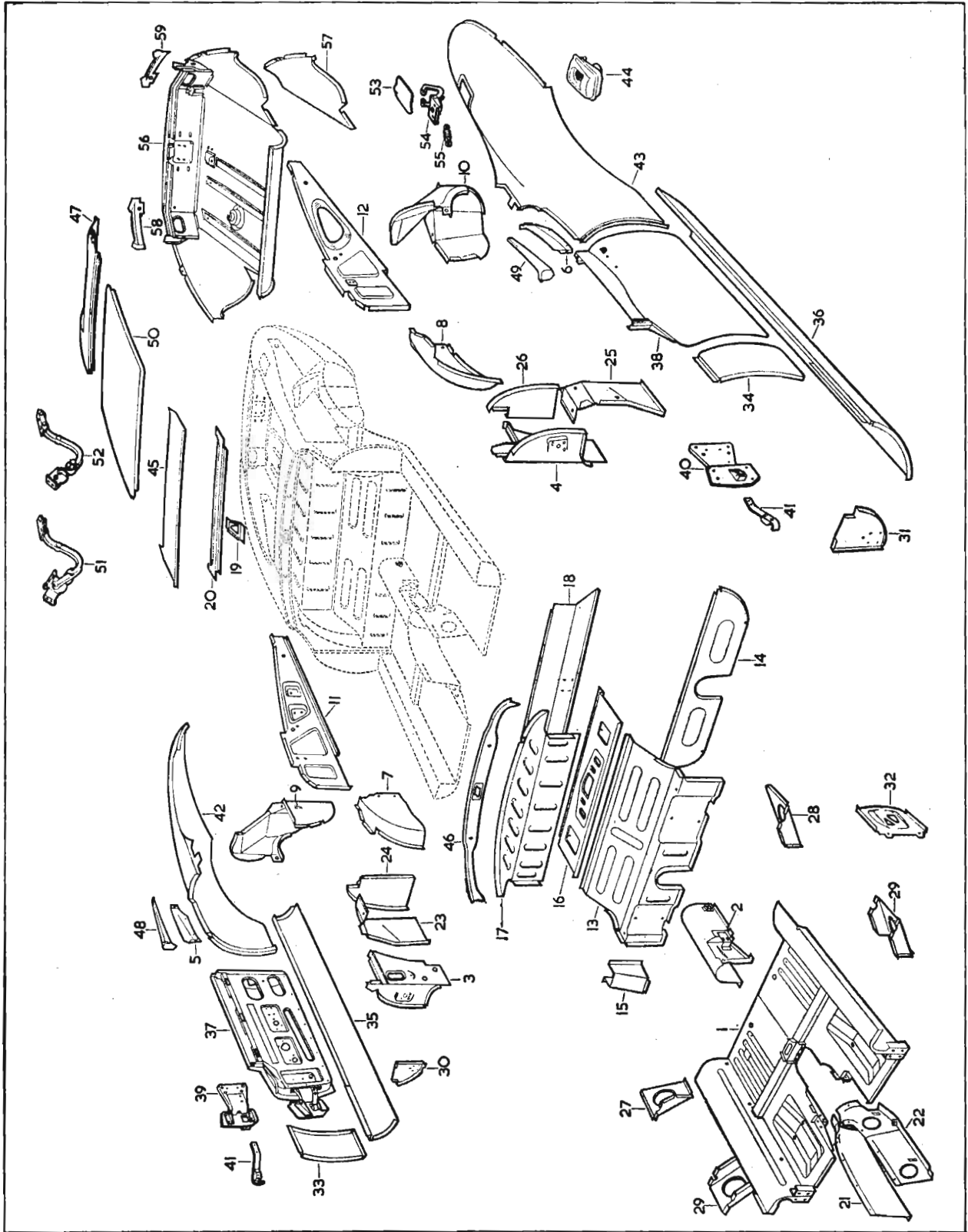


PLATE 36

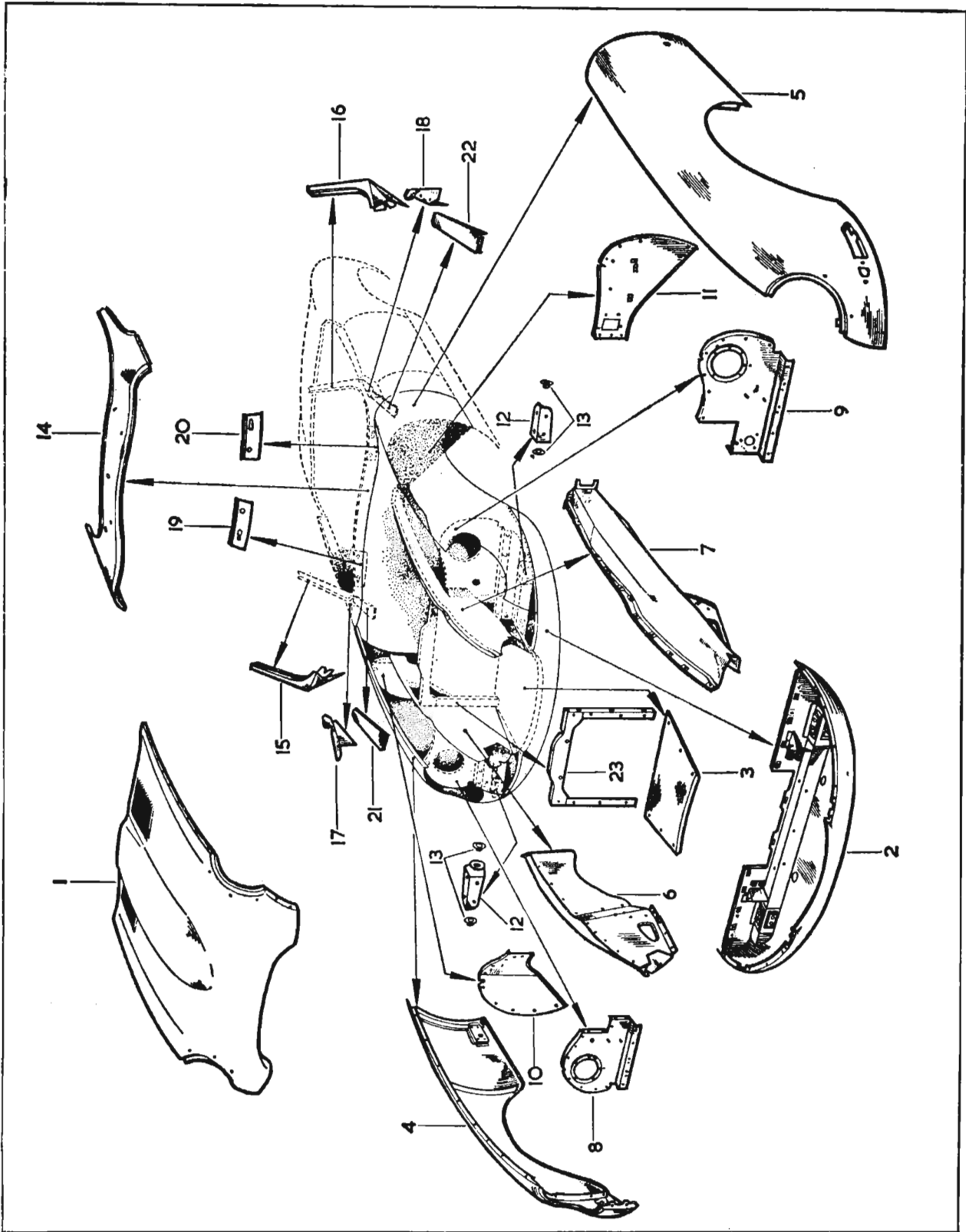


PLATE 37

BODY FITTINGS

FOR OPEN CARS ONLY

Part No.	Description	Plate No.	No. per Unit	Remarks
BD.19145	R.H. FRONT BUMPER ASSEMBLY		1	
BD.19146	L.H. FRONT BUMPER ASSEMBLY		1	
BD.15533	Bar Assembly only, for R.H. Front Bumper	38- 1	1	
BD.15532	Bar Assembly only, for L.H. Front Bumper	38- 2	1	
BD.19111	Over Rider Assembly, on R.H. Front Bumper	38- 3	1	
BD.19112	Over Rider Assembly, on L.H. Front Bumper	38- 4	1	
BD.19149	Beading, between Over Rider and Front Bumpers	38- 5	4	
UFN.137/L	Nut, securing Over Rider to Front Bumpers		2	
FG.106/X	Washer, Spring, under Nuts		2	
FW.106/T	Washer, Plain, under Spring Washers		2	
BD.19113	Extension Assembly, for fixing of Motif Bar	38- 6	2	
UFS.125/6R	Screw, Set, securing Extension Bracket to Over Riders		4	
C.724	Washer, Shakeproof, on Setscrews		4	
FW.104/T	Washer, Plain, under Shakeproof Washers		4	
BD.19119	Distance Piece, on Setscrews		4	
UFS.137/10R	Screw, Set, securing Front Bumpers to Bonnet		4	
FG.106/X	Washer, Spring, on Setscrews		4	
C.410	Washer, Plain, under Spring Washers		4	
BD.20893	Spacer, on Setscrews, at side fixings		2	
BD.20663	Spacer, on Setscrews, at front fixings		2	
BD.18947/2	Rubber Seal, between Front Bumpers and Bonnet	38- 7	2	
BD.10313	Clip, securing Seal	38- 8	2	
BD.17700	MOTIF BAR IN AIR INTAKE APERTURE	38- 9	1	
C.16336	MOTIF	38-10	1	
BD.19033	Backing Piece, behind Motif	38-11	1	
BD.19034	Spring Clip, retaining Motif	38-12	1	
BD.11501	Screw, Self-Tapping, securing Spring Clip	38-13	2	
UFS.125/5R	Screw, Set, securing Motif Bar		2	
FG.104/X	Washer, Spring, on Setscrews		2	
BD.19147	R.H. REAR BUMPER ASSEMBLY		1	
BD.19148	L.H. REAR BUMPER ASSEMBLY		1	
BD.15887	Bar Assembly only, for R.H. Rear Bumper	38-14	1	
BD.15888	Bar Assembly only, for L.H. Rear Bumper	38-15	1	
BD.19135	Over Rider Assembly, for R.H. Rear Bumper	38-16	1	
BD.19136	Over Rider Assembly, for L.H. Rear Bumper	38-17	1	
UFN.137/L	Nut, securing Over Rider to Rear Bumpers		2	
FG.106/X	Washer, Spring, under Nuts		2	
FW.106/T	Washer, Plain, under Spring Washers		2	
BD.19149	Beading, between Over Rider and Rear Bumpers	38-18	4	
UFS.131/6R	Screw, Set, securing Rear Bumpers to Body		2	
FG.105/X	Washer, Spring, on Setscrews		2	
FW.105/T	Washer, Plain, under Spring Washers		2	
UFS.137/10R	Screw, Set, securing Rear Bumpers to Body		2	
UFN.137/L	Nut, securing Rear Bumpers to Body		2	
FG.106/X	Washer, Spring, on Setscrews and under Nuts		4	
FW.106/T	Washer, Plain, under Spring Washers		4	
BD.20893	Nylon Spacer, at Rear Bumper mountings		4	
BD.18947/1	Rubber Seal, between Rear Bumpers and Body	38-19	2	

BODY FITTINGS FOR OPEN CARS ONLY

Part No.	Description	Plate No.	No. per Unit	Remarks
BD.16789	CHROME FINISHER ASSEMBLY AROUND R.H. HEADLAMP APERTURE	38-20	1	
BD.16790	CHROME FINISHER ASSEMBLY AROUND L.H. HEADLAMP APERTURE	38-21	1	
BD.16786	GLASS IN R.H. HEADLAMP APERTURE	38-22	1	
BD.16787	GLASS IN L.H. HEADLAMP APERTURE	38-23	1	
BD.16788	RUBBER SEAL AROUND HEADLAMP GLASSES	38-24	2	
BD.19013,2	Screw, Self-Tapping, securing Finishers and Headlamp Glasses to Bonnet		12	} FOR USE ONLY WITH SPIRE NUT FIXING.
BD.8633/5	Spire Nut, on Self-Tapping Screws		12	
BD.22780,4	Screw, Set, securing Finishers and Headlamp Glasses to Bonnet		12	FOR USE ONLY WITH TAPPED PLATE FIXING.
BD.17651	FINISHING PANEL ASSEMBLY IN R.H. HEADLAMP RECESS	38-25	1	
BD.17652	FINISHING PANEL ASSEMBLY IN L.H. HEADLAMP RECESS	38-26	1	
BD.20543,1	Rubber Seal, for Panels	38-27	2	
UFS.119/6R	Screw, Set, securing Panels to Headlamp Diaphragms		2	
UFS.119/8R	Screw, Set, securing Panels to Headlamp Diaphragms		4	
AG.102/X	Washer, Spring, on Setscrews		6	
AW.102/T	Washer, Plain, under Spring Washers		6	
UFN.119/L	Nut, on Setscrews		6	
C.1094	Distance Piece, for Panels		As req'd	

BODY FITTINGS

FOR OPEN CARS ONLY

Part No.	Description	Plate No.	No. per Unit	Remarks
BD.19029/2	CHROME BEADING, FORWARD OF HEADLAMP APERTURES	38-28	2	
BD.19029/1	CHROME BEADING, AT REAR OF HEADLAMP APERTURES	38-29	2	
BD.19030	Brass Clip , securing Chrome Beads	38-30	22	
BD.20934	PIVOTED CARRIER BRACKET ASSEMBLY FOR FRONT NUMBER PLATE		1	} TO BE FITTED ONLY AS REQUIRED.
UFN.125/L	Nut , securing Carrier Bracket to Bonnet Front Under Panel		2	
C.724	Washer , Shakeproof, under Nuts		2	
BD.20939	Packing Block (Aluminium) at Carrier Bracket fixings		2	
BD.20936	CONTROL ROD, OPERATING CARRIER BRACKET PIVOT WHEN BONNET IS MOVED		1	
C.13806	Clip , securing Control Rod to Carrier Bracket		1	
C.4548	GROMMET, IN BONNET FRONT UNDER PANEL, FOR CONTROL ROD		1	} TO BE FITTED ONLY AS REQUIRED.
BD.20937	FORK END FOR CONNECTION OF CONTROL ROD TO BRACKET ON FRONT SUB-FRAME		1	
UFN.125/L	Nut , locking Fork End to Control Rod		1	
J.103/10S	Clevis Pin , securing Fork End to Bracket on Front Sub-Frame		1	
L.102/4U AW.102/T	Split Pin , retaining Clevis Pin Washer , Plain, behind Split Pin		1 1	

BODY FITTINGS FOR OPEN CARS ONLY

Part No.	Description	Plate No.	No. per Unit	Remarks
BD.20989	RUBBER PLUG SEALING REDUNDANT APERTURE IN BONNET FRONT UNDER PANEL		1	NOT REQUIRED WHEN FRONT NUMBER PLATE CARRIER IS FITTED.
BD.20093	STONE GUARD ASSEMBLY AT REAR OF BONNET AIR INTAKE APERTURE	38-31	1	
BD.20150/3 C.723/A	Screw, Set, securing Stone Guard to Bonnet		8	
BD.541/34	Washer, Shakeproof, on Setscrews		8	
AW.102/T	Special Washer, under Shakeproof Washers at side fixings		6	
BD.20579	Washer, Plain, under Shakeproof Washers at top fixings		2	
UFS.125/4R UFN.125/L	Bracket, for lower fixing of Stone Guard		2	
C.724	Screw, Set, securing Brackets and Stone Guard		4	
FW.104/T	Nut, on Setscrews		4	
	Washer, Shakeproof, under Nuts		4	
	Washer, Plain, under Shakeproof Washers		4	
BD.18710	FRAME ASSEMBLY FOR FIXING OF STONE GUARD	38-32	1	
BD.19031	Felt Strip at top of Frame ($\frac{1}{4}$" \times $\frac{1}{8}$" \times 23")		1	
BD.16839.2 BD.542/3	Screw, Self-Tapping, securing Frame to Bonnet		6	
	Special Washer, on Self-Tapping Screws		6	
BD.20014	BONNET BALANCE LINK ASSEMBLY, R.H.	38-33	1	
BD.20015	BONNET BALANCE LINK ASSEMBLY, L.H.	38-34	1	
BD.19972	Spring, on Bonnet Balance Links		4	
BD.20013/4 L.102/6U	Brass Washer, at each side of spring "eyes"		16	
	Split Pin, retaining Springs		8	
BD.8291/2 C.724	Screw, Set, securing Balance Links to Bonnet		8	
BD.541/20	Washer, Shakeproof, on Setscrews		8	
	Special Washer, under Shakeproof Washers		8	
BD.19736	Bolt (Shouldered) securing Balance Links to Front Frame		2	
BD.20013/1	Brass Washer, on Bolts		2	
BD.20013/2	Brass Washer, on Bolts		2	
C.8667/1	Nut, Self-Locking, on Bolts		2	

BODY FITTINGS

FOR OPEN CARS ONLY

Part No.	Description	Plate No.	No. per Unit	Remarks
BD.19178	GRILLE AT REAR OF BONNET	38-35	1	
BD.17290	Thread Cutting Fix , securing Grille to Bonnet		2	
UFS.419/4H	Screw, Set , securing Grille to Bonnet		2	
C.723/A	Washer , Shakeproof, on Setscrews		2	
BD.20315	BONNET SAFETY CATCH ASSEMBLY	38-36	1	
BD.20318	Spring , on Safety Catch		1	
J.103/15S	Clevis Pin , through Safety Catch		1	
L.102/4U	Split Pin , retaining Clevis Pin		1	
BD.541/2B	Washer , Special, behind Split Pin		1	
BD.20319	Tapped Plate , for fixing of Safety Catch		1	
UFS.419/3H	Screw, Set , securing Safety Catch to Bonnet		4	
C.723/A	Washer , Shakeproof, on Setscrews		4	
BD.20320	BRACKET RECEIVING SAFETY CATCH	38-37	1	
BD.18307/3	Screw, Set , securing Bracket to Scuttle		2	
C.724	Washer , Shakeproof, on Setscrews		2	
BD.19730	EXTENSION ASSEMBLY AT REAR OF BONNET DUCT FOR HEATER AIR INTAKE	38-38	1	
BD.23657	Rubber Seal , for Air Intake	38-39	1	
BD.16839/3	Screw , Self-Tapping, securing Extension to Bonnet		6	
FG.104/X	Washer , Spring, on Self-Tapping Screws		6	
BD.542/3	Special Washer , under Spring Washers		6	
BD.20816/1	Rubber Seal , between Bonnet L.H. Valance and Frame Side Member (9½" long)	38-40	1	
BD.20735	Fixing Strip , for Rubber Seal	38-41	1	
BD.20816/2	Rubber Seal , between Bonnet L.H. Rear Diaphragm and Frame Side Member (4" long)	38-42	1	
BD.20736	Fixing Strip , for Rubber Seal	38-43	1	
BD.1814/2	Pop Rivet , securing Fixing Strips		8	
BD.16015	LOCK ASSEMBLY AT R.H. SIDE OF BONNET (WB.3/10894)	38-44	1	
BD.16016	LOCK ASSEMBLY AT L.H. SIDE OF BONNET (WB.3/10893)	38-45	1	
UCS.419/4H	Screw, Set , securing Locks to Bonnet		8	
AG.102/X	Washer , Spring, on Setscrews		8	
BD.2551	ESCUTCHEON FOR BONNET LOCKS (WB.16049/B)	38-46	2	
BD.540/9	Screw , Self-Tapping, securing Escutcheons to Bonnet		4	
BD.16012	BRACKET ASSEMBLY ENGAGING BONNET LOCKS	38-47	2	
UFS.119/6R	Screw, Set , securing Brackets to Body		4	
C.723/A	Washer , Shakeproof, on Setscrews		4	
AV.102/T	Washer , Plain, under Shakeproof Washers		4	
BD.16013	Shim , under Brackets		As req'd	

Fitted from Chassis No.
850001 to 850091.
875001 to 875385.

BODY FITTINGS

FOR OPEN CARS ONLY

Part No.	Description	Plate No.	No. per Unit	Remarks
BD.19890	R.H. LOCKING HOOK ASSEMBLY FOR BONNET		1	Fitted to Chassis No. 850092 and subs. 875386 and subs.
BD.19891	L.H. LOCKING HOOK ASSEMBLY FOR BONNET		1	
BD.19894	Lever , on Locking Hook Shafts		2	
C.8737/1	Nut , securing Levers to Shafts		2	
BD.19883	BRACKET ASSEMBLY MOUNTING LOCKING HOOKS		2	
BD.18307/2	Screw , Set, securing Brackets to Dash		6	
C.724	Washer , Shakeproof, on Setscrews		6	
BD.19977	HANDLE AND ROD ASSEMBLY FOR R.H. LOCKING HOOK		1	
BD.19978	HANDLE AND ROD ASSEMBLY FOR L.H. LOCKING HOOK		1	
BD.19903	Handle only		2	
BD.19904	Escutcheon		2	
BD.19895	Neoprene Seal , on Rods		2	
BD.19013/2	Screw , Self-Tapping, securing Escutcheons to Body		4	
BD.8633/8	Speed Nut , on Self-Tapping Screws (SNU.1686)		4	
C.13806	Linkage Clip , securing Operating Rods to Locking Hooks		2	
BD.19905	BRACKET ASSEMBLY ON BONNET SIDE PANEL, ENGAGING R.H. HOOK		1	
BD.19906	BRACKET ASSEMBLY ON BONNET SIDE PANEL, ENGAGING L.H. HOOK		1	
BD.18307/2	Screw , Set, securing Brackets to Bonnet		4	
C.724	Washer , Shakeproof, on Setscrews		4	
BD.541/6	Special Washer , under Shakeproof Washers		4	
BD.19896	Locating Peg , on Brackets		2	
UFN.231/L	Nut , securing Locating Pegs		4	
BD.19936	Rubber Buffer , on Locating Pegs		2	
BD.19917	Bracket , receiving Locating Pegs		2	
BD.8291/2	Screw , Set, securing Brackets to Dash		4	
C.724	Washer , Shakeproof, on Setscrews		4	
BD.20903/1	REST RUBBER FOR REAR EDGE OF BONNET (68" LONG)	38-48	1	

BODY FITTINGS

FOR OPEN CARS ONLY

Part No.	Description	Plate No.	No. per Unit	Remarks
BD.10224	RUBBER BUFFER CUSHIONING BONNET SIDES IN CLOSED POSITION	38-49	2	} Fitted from Chassis No. 850001 to 850091. 875001 to 875385.
UFS.131/8R	Screw, Set, securing Rubber Buffers to Dash		2	
UFN.231/L	Locknut, on Setscrews		2	
BD.15165	CARRIER BRACKET FOR BATTERY TRAY	38-50	1	
UFS.125/4R	Screw, Set, securing Carrier Bracket to L.H. Sill		5	
FG.104/X	Washer, Spring, on Setscrews		5	
FW.104/T	Washer, Plain, under Spring Washers		5	
UFN.125/L	Nut, on Setscrews		5	
BD.20048	R.H. UNDERSHIELD FOR FRONT FRAME	38-51	1	
BD.20047	L.H. UNDERSHIELD FOR FRONT FRAME	38-52	1	
BD.20049	Bracket, for fixing of Undershields to Frame		4	
UFS.125/4R	Screw, Set, securing Brackets and Undershields to Front Frame		4	
UFN.125/L	Nut, on Setscrews		4	
C.724	Washer, Shakeproof, under Nuts		4	
FW.104/T	Washer, Plain, on Setscrews		4	
BD.8633/6	Spire Nut, for fixing of Undershields to Sills and Mudshields		8	
BD.8691/1	Screw, Self-Tapping, securing Undershields to Sills and Mudshields		8	
AW.102/T	Washer, Plain, on Self-Tapping Screws		8	
BD.25541	Seal (Canvas/Rubber) for L.H. Front Frame Undershield		1	Fitted to Chassis No. 850681 and subs. 879160 and subs. May be fitted to cars prior to above Chassis numbers, if desired.
BD.19522	R.H. MUDSHIELD ASSEMBLY	38-53	1	
BD.20425	Bracket, upper, for fixing of R.H. Mudshield		1	
BD.20426	Bracket, lower, for fixing of R.H. Mudshield		1	
BD.11712/2	Pop Rivet, securing Mudshield		2	
BD.20434/1	Rubber Seal, for R.H. Mudshield (27½" long)		1	
BD.20429	Fixing Strip, securing Seal to R.H. Mudshield		1	
BD.20427	Fixing Strip, securing Seal to R.H. Sill		1	
BD.1814/6	Pop Rivet, securing Fixing Strips through Seal		11	

BODY FITTINGS FOR OPEN CARS ONLY

Part No.	Description	Plate No.	No. per Unit	Remarks	
BD.19521	L.H. MUDSHIELD ASSEMBLY	38-54	1		
BD.20426	Bracket , for fixing of L.H. Mudshield		1		
BD.20434/2	Rubber Seal , for L.H. Mudshield (14½" long)		1		
BD.20428	Fixing Strip , securing Seal to L.H. Mudshield		1		
BD.20427	Fixing Strip , securing Seal to L.H. Sill		1		
BD.1814/6	Pop Rivet , securing Fixing Strips through Seal		8		
UFS.125/4R	Screw, Set , securing Mudshields to Front Frame and Sills		10		
BD.541/20	Washer , Special, on Setscrews		10		
UFN.125/L	Nut , on Setscrews		10		
C.724	Washer , Shakeproof, under Nuts		10		
BD.19714	SEAL HOUSING FOR LOWER STEERING COLUMN THROUGH DASH	38-55	1	<div style="display: flex; align-items: center;"> <div style="font-size: 3em; margin-right: 10px;">}</div> <div style="text-align: center;"> <p>R.H. DRIVE CARS ONLY</p> </div> </div>	
BD.20589	Sealing Ring	38-56	1		Fitted from Chassis No. 850001 to 850547.
C.20488	Sealing Ring	38-56	1		Fitted to Chassis No. 850548 and subs.
BD.19710	Retainer , for Sealing Ring	38-57	1		
BD.19716/1	Screw , Self-Tapping, securing Retainer		3		
BD.19707	Gasket , under Steering Column Seal	38-58	1		
UFS.125/5R	Screw, Set , securing Seal to Dash		4		
FW.104/T	Washer , Plain, on Setscrews		4		
UFN.125/L	Nut , on Setscrews		4		
C.724	Washer , Shakeproof, under Nuts		4		
BD.19712	COVER ASSEMBLY, SEALING REDUNDANT BRAKE PEDAL HOUSING APERTURE IN DASH		1	<div style="display: flex; align-items: center;"> <div style="font-size: 3em; margin-right: 10px;">}</div> <div style="text-align: center;"> <p>R.H. DRIVE CARS ONLY.</p> </div> </div>	
BD.19707	Gasket , under Cover		1		
UFN.125/L	Nut , securing Cover to Dash		4		
C.724	Washer , Shakeproof, under Nuts		4		
FW.104/T	Washer , Plain, under Shakeproof Washers		4		
BD.19713	COVER ASSEMBLY, SEALING REDUNDANT ACCELERATOR PEDAL HOUSING APERTURE IN DASH		1	<div style="display: flex; align-items: center;"> <div style="font-size: 3em; margin-right: 10px;">}</div> <div style="text-align: center;"> <p>R.H. DRIVE CARS ONLY.</p> </div> </div>	
BD.19708	Gasket , under Cover		1		
UFN.125/L	Nut , securing Cover to Dash		4		
C.724	Washer , Shakeproof, under Nuts		4		
FW.104/T	Washer , Plain, under Shakeproof Washers		4		

BODY FITTINGS

FOR OPEN CARS ONLY

Part No.	Description	Plate No.	No. per Unit	Remarks
BD.19712	COVER ASSEMBLY, SEALING REDUNDANT BRAKE PEDAL AND STEERING COLUMN APERTURES IN DASH		2	} L.H. DRIVE CARS ONLY.
BD.19707	Gasket, under Covers		2	
UFN.125/L	Nut, securing Covers to Dash		8	
C.724	Washer, Shakeproof, under Nuts		8	
FW.104/T	Washer, Plain, under Nuts		8	
BD.19711	COVER ASSEMBLY, SEALING REDUNDANT ACCELERATOR PEDAL HOUSING APERTURE IN DASH		1	} L.H. DRIVE CARS ONLY.
BD.19706	Gasket, under Cover		1	
UFN.125/L	Nut, securing Cover to Dash		3	
C.724	Washer, Shakeproof, under Nuts		3	
FW.104/T	Washer, Plain, under Shakeproof Washers		3	
BD.20589	SEAL, IN ACCELERATOR PEDAL HOUSING, FOR LOWER STEERING COLUMN		1	Fitted from Chassis No. 875001 to 877487.
C.20488	SEAL, IN ACCELERATOR PEDAL HOUSING, FOR LOWER STEERING COLUMN		1	Fitted to Chassis No. 877488 and subs.
BD.19710	Retainer, for Seal		1	} L.H. DRIVE CARS ONLY.
UCS.413/3H	Screw, Set, securing Retainer		3	
C.721	Washer, Shakeproof, on Setscrews		3	
BD.19717	PLUG (BLACK P.V.C.) SEALING REDUNDANT HOLES IN DASH		3	
BD.15501	WINDSCREEN GLASS	38-59	1	
BD.15514	Rubber Seal, around Windscreen Glass	38-60	1	} Fitted from Chassis No. 850001 to 850087. 875001 to 875309.
BD.17573	Rubber Insert, for Seal	38-61	1	
BD.20856	Chrome Finisher, at top edge of Windscreen	38-62	1	
BD.17380/7	Rubber Seal, under Finisher	38-63	1	
BD.17702	Chrome Finisher at R.H. side of Windscreen	38-64	1	
BD.17701	Chrome Finisher at L.H. side of Windscreen	38-65	1	
BD.17703	Chrome Finisher at bottom edge of Windscreen	38-66	1	
BD.17704	Joint Piece, for side and bottom Finishers	38-67	2	
BD.20881	Chrome Finisher at R.H. side of Windscreen		1	
BD.20882	Chrome Finisher at L.H. side of Windscreen		1	
BD.20562	Chrome Finisher at bottom edge of Windscreen		1	} Fitted to Chassis No. 850088 and subs. 875310 and subs.
BD.540/1	Screw, Self-Tapping, securing Side Finishers		2	
BD.1814/4	Pop Rivet, securing Side Finishers		4	

BODY FITTINGS

FOR OPEN CARS ONLY

Part No.	Description	Plate No.	No. per Unit	Remarks
BD.15508	CHROME CAPPING AT TOP OF R.H. WINDSCREEN PILLAR	38-68	1	
BD.15509	CHROME CAPPING AT TOP OF L.H. WINDSCREEN PILLAR	38-69	1	
BD.15534/3	Screw, Set, securing Cappings to side of Windscreen Pillars		2	
BD.16940/2	Screw, Set, securing Cappings to top of Windscreen Pillars		2	
BD.20456	TRIM PANEL ASSEMBLY ON R.H. SCREEN PILLAR	38-70	1	
BD.20457	TRIM PANEL ASSEMBLY ON L.H. SCREEN PILLAR	38-71	1	
BD.21133	Spring Clip, securing Trim Panels	38-72	4	
BD.21181	LICENCE HOLDER ON WINDSCREEN		1	
BD.19752	SCREEN RAIL FACIA ASSEMBLY, COMPLETE	39- 1	1	} FOR SPARES REPLACEMENTS USE BD.22732 TOGETHER WITH BD.23077.
BD.20590	Bezel, for centre Demister Slot		1	
BD.20591	Bezel, for intermediate Demister Slots		2	
BD.20592	Bezel, for outer Demister Slots		2	
BD.539/22	Screw, Self-Tapping, securing Bezels		10	
BD.22732	SCREEN RAIL FACIA ASSEMBLY, COMPLETE		1	} MAY BE USED TO REPLACE BD.19752.
	All items are as for Screen Rail Facia Assembly BD.19752.			
BD.23077	"Y" Piece, for Air Duct Hoses		2	
UFN.119/L	Nut, securing Screen Rail Facia		4	
C.723/A	Washer, Shakeproof, under Nuts		4	
AW.102/T	Washer, Plain, under Shakeproof Washers		4	
BD.21182	Bracket, for R.H. outer fixing of Screen Rail Facia		1	
BD.21183	Bracket, for L.H. outer fixing of Screen Rail Facia		1	
BD.1814/2	Pop Rivet, securing Brackets to Dash		4	
BD.20565	Bracket, for R.H. inner fixing of Screen Rail Facia		1	
BD.20566	Bracket, for L.H. inner fixing of Screen Rail Facia		1	

BODY FITTINGS

FOR OPEN CARS ONLY

Part No.	Description	Plate No.	No. per Unit	Remarks
BD.19643	L.H. FACIA PANEL ASSEMBLY	39- 2	1	R.H. DRIVE CARS ONLY.
BD.19699	Cubby Box , in L.H. Facia		1	
BD.20605	Fixing Strip , securing Cubby Box at top		1	
UFN.119/L	Nut , securing Fixing Strip		3	
C.723/A	Washer , Shakeproof, on Setscrews		3	
BD.1229/16	Screw , Self-Tapping, securing Cubby Box at bottom		3	
C.1094	Distance Piece , on Self-Tapping Screws		3	
BD.20633/1	Spire Nut , on Self-Tapping Screws		3	
BD.19644	R.H. FACIA PANEL ASSEMBLY	39- 3	1	R.H. DRIVE CARS ONLY.
BD.19645	L.H. FACIA PANEL ASSEMBLY		1	L.H. DRIVE CARS ONLY, BUT NOT REQUIRED FOR ITALY.
BD.20812	L.H. FACIA PANEL ASSEMBLY		1	REQUIRED ONLY FOR L.H. DRIVE CARS EXPORTED TO ITALY.
BD.19646	R.H. FACIA PANEL ASSEMBLY		1	L.H. DRIVE CARS ONLY.
BD.19698	Cubby Box , in R.H. Facia		1	
BD.20605	Fixing Strip , securing Cubby Box at top		1	
UFN.119/L	Nut , securing Fixing Strip		3	
C.723/A	Washer , Shakeproof, under Nuts		3	
BD.1229/16	Screw , Self-Tapping, securing Cubby Box at bottom		3	
C.1094	Distance Piece , on Self-Tapping Screws		3	
BD.20633/1	Spire Nut , on Self-Tapping Screws		3	
BD.20861/1	Screw , Set, Pan Head, securing Facia Panels at centre		4	
UFS.119/3R	Screw , Set, securing Facia Panels at centre		2	
C.723/A	Washer , Shakeproof, on Setscrews		4	
AW.102/T	Washer , Plain, under Shakeproof Washers		6	
BD.19241	Bracket , for fixing of L.H. Facia to Dash side		1	
BD.19242	Bracket , for fixing of R.H. Facia to Dash side		1	
BD.1814/2	Pop Rivet , securing Brackets		4	
UFN.119/L	Nut , securing Facias to Brackets		4	
C.723/A	Washer , Shakeproof, under Nuts		4	
BD.20636	GRAB HANDLE ASSEMBLY AT R.H. SIDE OF DASH		1	L.H. DRIVE CARS ONLY.

BODY FITTINGS FOR OPEN CARS ONLY

Part No.	Description	Plate No.	No. per Unit	Remarks
BD.20637	GRAB HANDLE ASSEMBLY AT L.H. SIDE OF DASH	39- 4	1	R.H. DRIVE CARS ONLY.
UCS.119/3R C.723/A	Screw , Set, securing Grab Handle to Facia Panel Washer , Shakeproof, on Setscrews		2 2	
BD.20640 BD.540/19 BD.20639 C.739	Bracket , for fixing of Grab Handle to Dash side Screw , Self-Tapping, securing Bracket Special Bolt , securing Grab Handle to Bracket Washer , Shakeproof, on Special Bolt		1 2 1 1	
BD.20462	CASING ASSEMBLY, UNDER R.H. SIDE OF SCUTTLE	39- 5	1	} R.H. DRIVE CARS ONLY.
BD.20463	CASING ASSEMBLY, UNDER L.H. SIDE OF SCUTTLE	39- 6	1	
BD.20470	CASING ASSEMBLY, UNDER CENTRE OF SCUTTLE	39- 7	1	
BD.20728	COVER ASSEMBLY, PROTECTING WIRING HARNESS AT L.H. SIDE OF DASH	39- 8	1	
BD.20464	CASING ASSEMBLY, UNDER R.H. SIDE OF SCUTTLE		1	} L.H. DRIVE CARS ONLY.
BD.20465	CASING ASSEMBLY, UNDER L.H. SIDE OF SCUTTLE		1	
BD.20471	CASING ASSEMBLY, UNDER CENTRE OF SCUTTLE		1	
BD.21136 BD.8537/1 BD.532/2 BD.8536/6	Fixing Bracket , for Scuttle Casings Screw , Self-Tapping, securing Casings Cup Washer , on Self-Tapping Screws Spire Nut , on Self-Tapping Screws		4 2 2 2	

BODY FITTINGS

FOR OPEN CARS ONLY

Part No.	Description	Plate No.	No. per Unit	Remarks
BD.20035	FRONT FINISHER PANEL ASSEMBLY ABOVE GEARBOX TUNNEL	39- 9	1	} Fitted from Chassis No. 850001 to 850609. 875001 to 878301.
BD.19967	Face Panel, for Front Finisher		1	
BD.19984	Grille Assembly, in Loudspeaker Apertures		2	
UCN.113/L	Nut, securing Grilles to Front Finisher Panel		8	
C.721	Washer, Shakeproof, under Nuts		8	
AW.104/T	Washer, Plain, under Shakeproof Washers		8	
BD.20409	Ash Tray and Panel Assembly		1	
BD.22669	Tapped Plate, securing Ash Tray Panel to Front Finisher Panel		2	
BD.13713/2	Screw, Set, securing Ash Tray Panel to Front Finisher Panel		4	
C.2017/1	Washer, Special, on Setscrews		4	
BD.23648	FRONT FINISHER PANEL ASSEMBLY ABOVE GEARBOX TUNNEL		1	} Fitted to Chassis No. 850610 and subs. 878302 and subs.
BD.23649	Face Panel, for Front Finisher		1	
	All other items are as for Front Finisher Assembly BD.20035.			
BD.19049	Bracket Assembly, L.H., for fixing of Front Finisher Panel		1	
BD.19050	Bracket Assembly, R.H., for fixing of Front Finisher Panel		1	
UFS.419/4H	Screw, Set, securing Brackets to Dash		4	
C.723/A	Washer, Shakeproof, on Setscrews		4	
BD.17589	Knob, securing Front Finisher Panel		4	
BD.541/32	Washer, Special, behind Knobs		4	
BD.20409	ASH TRAY AND PANEL ASSEMBLY		1	
BD.20403	Panel Assembly	39-10	1	
BD.20410	Ash Tray Assembly, complete	39-11	1	
BD.20412	Motif only, on Ash Tray		1	
AN.106/K	Nut, securing Motif		1	
C.720	Washer, Shakeproof, under Nut		1	
BD.24393	Light Shield (Rubber Strip $\frac{1}{8}$ " \times $\frac{1}{4}$ " \times 10")		1	
BD.24394	Retainer, for Light Shield		1	
BD.540/19	Self-Tapping Screw, securing Retainer		2	
BD.711/9	Self-Tapping Screw, securing Retainer		2	
BD.20722	FINISHER PANEL ASSEMBLY IN RADIO CONTROL UNIT APERTURE	39-12	1	} NOT REQUIRED WHEN RADIO IS FITTED.
UFN.119/L	Nut, securing Finisher to Front Finisher Panel		2	
C.723/A	Washer, Shakeproof, under Nuts		2	
BD.541/13	Washer, Plain, under Shakeproof Washers		2	
BD.17354	BASE PLATE AND SURROUND (CHROME PLATED) FOR RADIO APERTURE FINISHER PANEL	39-13	1	NOT REQUIRED WHEN RADIO IS FITTED.

BODY FITTINGS FOR OPEN CARS ONLY

Part No.	Description	Plate No.	No. per Unit	Remarks
BD.15488	GEARBOX COVER	39-14	1	SUPERSEDED BY BD.24129.
BD.8691/7	Screw, Self-Tapping, securing Gearbox Cover		12	
BD.542/3	Washer, Plain, on Self-Tapping Screws		12	
BD.24129	GEARBOX COVER		1	SUPERSEDES BD.15488.
BD.8691/7	Screw, Self-Tapping, securing Gearbox Cover		12	
BD.542/3	Washer, Plain, on Self-Tapping Screws		12	
BD.10821	RUBBER PLUG, SEALING GEARBOX ACCESS APERTURES		2	
BD.20031	FINISHER PANEL ASSEMBLY ON GEARBOX COVER AND PROPELLER SHAFT TUNNEL	39-15	1	} Fitted from Chassis No. 850001 to 850609. 875001 to 878301.
BD.19979	Top Face Panel		1	
BD.19971	Gauntlet Face Panel		1	
BD.19981	Chrome Bezel, at top of Gauntlet Panel		1	
BD.22385	Rivet, securing Bezel to Gauntlet Panel		14	
BD.23650	FINISHER PANEL ASSEMBLY ON GEARBOX COVER AND PROPELLER SHAFT TUNNEL		1	} Fitted to Chassis No. 850610 and subs. 878302 and subs.
BD.23651	Top Face Panel		1	
BD.23652	Gauntlet Face Panel		1	
BD.19981	Chrome Bezel, at top of Gauntlet Panel		1	
BD.22385	Rivet, securing Bezel to Gauntlet Panel		14	
BD.20469	Seal, for Handbrake Lever Aperture (Rubber Strip $\frac{1}{8}'' \times 2\frac{1}{2}'' \times 6''$)		1	
BD.19728	Chrome Ferrule, at top of Gear Lever Gauntlet		1	
BD.19729	Ferrule Base (Nylon)		1	
BD.17546/1	Screw, Set, securing Finisher Panel to Tunnel		3	
BD.541/32	Special Washer, on Setscrews		3	
BD.20820	SEAT SQUAB FRAME ASSEMBLY (TRIMMED)	39-16	2	
BD.20148	SEAT CUSHION ASSEMBLY	39-17	2	

BODY FITTINGS

FOR OPEN CARS ONLY

Part No.	Description	Plate No.	No. per Unit	Remarks
BD.18958	LOCKING SLIDE FOR R.H. SEAT		1	} Fitted from Chassis No. 850001 to 850526. 875001 to 877355.
BD.18959	LOCKING SLIDE FOR L.H. SEAT	39-18	1	
BD.22810	LOCKING SLIDE FOR L.H. SEAT		1	} Fitted to Chassis No. 850527 and subs. 877356 and subs.
BD.22811	LOCKING SLIDE FOR R.H. SEAT		1	
BD.18960	SEAT SLIDE (PLAIN)	39-19	2	Fitted from Chassis No. 850001 to 850526. 875001 to 877355.
BD.22812	SEAT SLIDE (PLAIN)		2	Fitted to Chassis No. 850527 and subs. 877356 and subs.
BD.18117/4	Screw, Set, securing Slides to Floor		8	
BD.17648	Packing, between Slides and Floor		8	
UFN.125/L	Nut, securing Slides to Seats		8	
BD.542/3	Washer, Special, under Nuts		8	
C.724	Washer, Shakeproof, on Setscrews and under Nuts		16	
C.18698	Distance Piece, at fixings of Slides to Seats		4	
BD.19378	Support Strap, for Adjusting Levers		2	
UFS.519/4H	Screw, Set, securing Support Straps		4	
UFN.119/L	Nut, on Setscrews		4	
C.723/A	Washer, Shakeproof, under Nuts		4	
C.5203/1	Washer, Special, under Shakeproof Washers		4	
BD.20216	MAT ASSEMBLY, ON FLOOR, BEHIND SEATS		2	Fitted from Chassis No. 850001 to 850526. 875001 to 877355.
BD.23624	MAT ASSEMBLY, ON FLOOR, BEHIND SEATS		2	Fitted to Chassis No. 850527 and subs. 877356 and subs.
BD.20436	SHIELD ASSEMBLY, FRONT, FOR HEAT INSULATION FROM EXHAUST SYSTEM	39-20	1	Fitted from Chassis No. 850001 to 850648. 875001 to 878888.

BODY FITTINGS FOR OPEN CARS ONLY

Part No.	Description	Plate No.	No. per Unit	Remarks
BD.25237	SHIELD ASSEMBLY, FRONT, FOR HEAT INSULATION FROM EXHAUST SYSTEM		1	Fitted to Chassis No. 850649 and subs. 878889 and subs. See note below.
BD.711/23	Screw, Self-Tapping, securing Shield to Floor		2	
UFS.125/3R	Screw, Set, securing Shield to Floor		1	
C.724	Washer, Shakeproof, on Setscrews		1	
BD.19059/1	Screw, Self-Tapping, securing Shield to gearbox side panel		1	
BD.18545	Cup Washer, on Self-Tapping Screw		1	
BD.8633/2	Spire Nut, on Self-Tapping Screw		1	
BD.20439	SHIELD ASSEMBLY, REAR, FOR HEAT INSULATION FROM EXHAUST SYSTEM	39-21	1	
BD.1814/5	Pop Rivet, securing Shield to Body		8	
BD.20452	TRIM PANEL ASSEMBLY ON R.H. SHUT PILLAR	39-22	1	
BD.20453	TRIM PANEL ASSEMBLY ON L.H. SHUT PILLAR		1	
BD.20379	TRIM PANEL ASSEMBLY BETWEEN R.H. REAR WHEEL ARCH AND SHUT PILLAR	39-23	1	
BD.2703	Clip, for fixing of Trim Panel		5	
BD.20380	TRIM PANEL ASSEMBLY BETWEEN L.H. REAR WHEEL ARCH AND SHUT PILLAR		1	
BD.2703	Clip, for fixing of Trim Panel		5	
BD.539/4	Screw, Self-Tapping, securing Trim Panels to Body		2	
BD.532/1	Cup Washer, on Self-Tapping Screws		2	
BD.711/3	Screw, Self-Tapping, securing Trim Panels to Body		8	

NOTE: The following cars were fitted with Heat Shield BD.20436:

R.H. Drive 850653, 850654.
L.H. Drive 878895, 878900, 878907, 878908, 878913, 878914, 878915, 878926, 878936, 878937, 878939, 878958, 878986, 879005, 879024, 879049.

BODY FITTINGS

FOR OPEN CARS ONLY

Part No.	Description	Plate No.	No. per Unit	Remarks
BD.20383	QUARTER TRIM PANEL ASSEMBLY ABOVE R.H. REAR WHEEL ARCH	39-24	1	
BD.20384	QUARTER TRIM PANEL ASSEMBLY ABOVE L.H. REAR WHEEL ARCH		1	
BD.1749	Stud, on Quarter Trim Panels, for "Lift the Dot" Fasteners		2	
AN.102/L	Nut, securing Studs		2	
C.723	Washer, Shakeproof, under Nuts		2	
AW.102/T	Washer, Plain, under Shakeproof Washers		2	
BD.20532	TRIM PANEL ASSEMBLY, R.H., ON TONNEAU, BELOW BACKLIGHT	39-25	1	
BD.20533	TRIM PANEL ASSEMBLY, L.H., ON TONNEAU, BELOW BACKLIGHT	39-26	1	
BD.539/1	Screw, Self-Tapping, securing Quarter and Tonneau Trims ($\frac{3}{8}$" long)		2	
BD.539/4	Screw, Self-Tapping, securing Quarter and Tonneau Trims ($\frac{1}{4}$" long)		4	
BD.532/1	Cup Washer, on Self-Tapping Screws		6	
BD.20343	MAT ASSEMBLY ON REAR BULKHEAD PANEL	39-27	1	Fitted from Chassis No. 850001 to 850526. 875001 to 877355.
BD.23625	MAT ASSEMBLY ON REAR BULKHEAD PANEL		1	Fitted to Chassis No. 850527 and subs. 877356 and subs.
BD.21484	R.H. DOOR ASSEMBLY, COMPLETE (INCLUDING GLASS, TRIM, LOCK AND HANDLES, ETC.)		1	

BODY FITTINGS FOR OPEN CARS ONLY

Part No.	Description	Plate No.	No. per Unit	Remarks
BD.21485	L.H. DOOR ASSEMBLY, COMPLETE (INCLUDING GLASS, TRIM, LOCK AND HANDLES, ETC.)		1	
BD.20095	LOCK ASSEMBLY ON R.H. DOOR (WB.3/11289)		1	
BD.20096	LOCK ASSEMBLY ON L.H. DOOR (WB.3/11290)	40- 1	1	
BD.19445	Link, between Locks and Outside Handle (WB.1/8881)	40- 2	2	
BD.23473	Clip, retaining Links (WB.3/6928)	40- 3	4	
BD.1708/9	Spring Washer, for Link fixing at Lock		2	
UFS.419/3H	Screw, Set, securing Lock to Doors		6	
C.723/A	Washer, Shakeproof, on Setscrews		6	
BD.20780/3	Shakeproof Screw, securing Lock to Doors		2	
BD.19245	OUTSIDE HANDLE ON R.H. DOOR (1/8871)		1	
7903	Operating Lever Assembly for R.H. Door Handle (1/6491)		1	
9601	Housing, for Tension Spring in R.H. Door Handle (1/8868)		1	
BD.21486	Locking Barrel, for "F" Series Key, in Handle		1	
BD.19246	OUTSIDE HANDLE ON L.H. DOOR (1/8870)	40- 4	1	
7904	Operating Lever Assembly for L.H. Door Handle (1/6492)		1	
9602	Housing, for Tension Spring in L.H. Door Handle (1/8869)		1	
BD.21486	Locking Barrel, for "F" Series Key, in handle		1	
UFN.119/L	Nut, securing Outside Handles		4	
C.723/A	Washer, Shakeproof, under Nuts		4	
AW.102/T	Washer, Plain, under Shakeproof Washers		4	
BD.20098	REMOTE CONTROL AND LINK ASSEMBLY, FOR OPERATION OF R.H. DOOR LOCK (3/16347)		1	

BODY FITTINGS

FOR OPEN CARS ONLY

Part No.	Description	Plate No.	No. per Unit	Remarks
BD.20097	REMOTE CONTROL AND LINK ASSEMBLY, FOR OPERATION OF L.H. DOOR LOCK (3/16349)	40- 5	1	
BD.19575	Wavy Washer , at connection of Link to Lock	40- 6	2	
BD.23743	Spring Clip , securing Link to Lock	40- 7	2	
BD.19574	Washer , Special, behind Spring Clips		2	
UFS.419/3H	Screw , Set, securing Remote Controls to Doors		6	
C.723/A	Washer , Shakeproof, on Setscrews		6	
BD.10728	INSIDE HANDLE FOR DOORS (WB.1/3858)	40- 8	2	
BD.10729	HANDLE OPERATING WINDOW REGULATORS (WB.1/6671)	40- 9	2	
BD.10730	OUTER ESCUTCHEON BEHIND REGULATOR AND INSIDE DOOR HANDLES (W.128)	40-10	4	
BD.10731	INNER ESCUTCHEON BEHIND REGULATOR AND INSIDE DOOR HANDLES (W.129)	40-11	4	
BD.10732	SPRING BEHIND ESCUTCHEONS (41/379)	40-12	4	
BD.10734	Rubber Plug , behind Handles (16-10)	40-13	4	
BD.10733	Peg , securing Handles to Remote Controls and Regulators	40-14	4	
BD.20522	REGULATOR ASSEMBLY FOR WINDOW IN R.H. DOOR		1	

BODY FITTINGS FOR OPEN CARS ONLY

Part No.	Description	Plate No.	No. per Unit	Remarks
BD.20523	REGULATOR ASSEMBLY FOR WINDOW IN L.H. DOOR	40-15	1	
UFS.425/3H	Screw, Set, securing Regulator to Doors		8	
UFN.125/L	Nut, securing Regulator to Doors		8	
C.724	Washer, Shakeproof, on Setscrews and under Nuts		16	
BD.20997	FIXED FRAME ASSEMBLY FOR WINDOW IN R.H. DOOR		1	
BD.20998	FIXED FRAME ASSEMBLY FOR WINDOW IN L.H. DOOR	40-16	1	
BD.10099	Felt, in forward channel of Fixed Frames	40-17	2	
BD.16465	Bracket, for forward mounting of Fixed Frames	40-18	2	
BD.20668	Bracket, for rear mounting of Fixed Frames	40-19	2	
UFN.125/L	Nut, securing Brackets to Doors and Fixed Frames to Brackets		6	
UFS.125/4R	Screw, Set, securing Brackets to Doors and Fixed Frames to Brackets		2	
C.724	Washer, Shakeproof, under Nuts and on Setscrews		8	
FW.104/T	Washer, Plain, under Shakeproof Washers		8	
BD.17622/1	Screw, Self-Tapping, securing Fixed Frames to Doors at top		6	
BD.17621	Spire Nut, on Self-Tapping Screws		6	
BD.540/8	Screw, Self-Tapping (Countersunk Head) securing Frames to Doors		4	
BD 17623/2	Screw, Self-Tapping (Pan Head) securing Frames to Doors		6	
BD.20873/1	Packing Washer (18 S.W.G.) at Fixed Frame mountings		As req'd	
BD.20873/2	Packing Washer (10 S.W.G.) at Fixed Frame mountings		As req'd	
BD.19397/2	Rubber Seal, for front Channel of Window Frames	40-20	2	
BD.15975	GLASS ASSEMBLY, FOR WINDOW IN R.H. DOOR		1	
BD.15976	GLASS ASSEMBLY, FOR WINDOW IN L.H. DOOR	40-21	1	
BD.5440/6	Square Nut, limiting downward movement of Glasses		2	
BD.13819/1	Screw, Set, securing Square Nuts		2	

BODY FITTINGS

FOR OPEN CARS ONLY

Part No.	Description	Plate No.	No. per Unit	Remarks
BD.16997	CHROME FINISHER ASSEMBLY AT TOP OF R.H. DOOR		1	} Fitted from Chassis No. 850001 to 850506. 875001 to 877201.
BD.16700 BD.10413	Outer Seal, for Door Glass Clip, securing Outer Seal		1 7	
BD.16998	CHROME FINISHER ASSEMBLY AT TOP OF L.H. DOOR	40-22	1	
BD.16700 BD.10413	Outer Seal, for Door Glass Clip, securing Outer Seal		1 7	
BD.540/9	Screw, Self-Tapping, securing Chrome Finishers		4	
BD.21333	CHROME FINISHER ASSEMBLY AT TOP OF R.H. DOOR		1	
BD.16700 BD.10413	Outer Seal, for Door Glass Clip, securing Outer Seal		1 7	
BD.21334	CHROME FINISHER ASSEMBLY AT TOP OF L.H. DOOR		1	
BD.16700 BD.10413	Outer Seal, for Door Glass Clip, securing Outer Seal		1 7	
BD.540/9	Screw, Self-Tapping, securing Chrome Finishers		4	
BD.19070	STRIKER FOR MAP LIGHT DOOR SWITCHES	40-23	4	
BD.539/15	Screw, Self-Tapping, securing Strikers		4	
BD.19223	FILLER BLOCK, ON SHUT FACE OF R.H. DOOR, SEATING RUBBER SEAL		1	
BD.19224	FILLER BLOCK, ON SHUT FACE OF L.H. DOOR, SEATING RUBBER SEAL	40-24	1	
UCS.516/3H	Screw, Set, securing Filler Blocks		2	

BODY FITTINGS FOR OPEN CARS ONLY

Part No.	Description	Plate No.	No. per Unit	Remarks
BD.15504	UPPER TRIM PANEL ASSEMBLY ON R.H. DOOR		1	
BD.20010/3 BD.20082	Weatherstrip, for Door Glass Clip, securing Weatherstrip		1 5	
BD.15505	UPPER TRIM PANEL ASSEMBLY ON L.H. DOOR	40-25	1	
BD.20010/3 BD.20082	Weatherstrip, for Door Glass Clip, securing Weatherstrip		1 5	
BD.540/12	Screw, Self-Tapping, securing Upper Trim Panels		4	
BD.20190	CHROME FINISHER ON UPPER TRIM PANELS	40-26	2	
BD.17497 BD.711/1	Clip, securing Chrome Finishers Screw, Self-Tapping, securing Clips		10 10	
BD.15510	CASING ASSEMBLY ON R.H. DOOR		1	
BD.15511	CASING ASSEMBLY ON L.H. DOOR	40-27	1	
BD.18068 BD.21133	Clip, for fixing of Casings Clip, for fixing of Casings at front edge		38 4	
BD.20503	CHROME FINISHER ON DOOR CASINGS	40-28	2	
BD.11546	Clip, securing Chrome Finishers		10	
BD.25376	SEALING RUBBER AND RETAINER ASSEMBLY, LOWER, FOR R.H. "A" POST		1	
BD.25308	Sealing Rubber only		1	

BODY FITTINGS

FOR OPEN CARS ONLY

Part No.	Description	Plate No.	No. per Unit	Remarks
BD.25377	SEALING RUBBER AND RETAINER ASSEMBLY, LOWER, FOR L.H. "A" POST	40-29	1	
BD.25309	Sealing Rubber only		1	
BD.21202	SEALING RUBBER, UPPER, FOR "A" POSTS	40-30	2	
BD.21197	SEALING RUBBER, FOR DOOR SILLS	40-31	2	SUPERSEDED BY BD.24789.
BD.24789	SEALING RUBBER, FOR DOOR SILLS		2	SUPERSEDES BD.21197.
BD.21196	SEALING RUBBER, FOR BODY SHUT PILLARS	40-32	2	
BD.19295	STRIKER FOR R.H. DOOR LOCK (WB.3/8994)		1	
BD.19296	STRIKER FOR L.H. DOOR LOCK (WB.3/8995)	40-33	1	
BD.19297 BD.19298 BD.17821/7	Shakeproof Shim, under Strikers (WB.3/9586) Shim, packing Strikers (20 S.W.G.) Screw, Set, securing Strikers		2 As req'd 6	
BD.19129	CHROME FINISHER AT EDGE OF DOOR SILLS	40-34	2	
BD.16794	Clip, securing Finishers	40-35	14	

BODY FITTINGS FOR OPEN CARS ONLY

Part No.	Description	Plate No.	No. per Unit	Remarks
BD.15898	LOCK ASSEMBLY FOR BOOT LID (WB.3/10875)	41- 1	1	
UFS.319/4H C.723/A AVV.102/T UFN.119/L	Screw, Set, securing Lock to Bracket Washer, Shakeproof, on Setscrews Washer, Plain, under Shakeproof Washers Nut, securing Lock		4 4 4 2	
BD.16202	BRACKET, FOR MOUNTING OF BOOT LID LOCK	41- 2	1	
UFN.119/L C.723/A AVV.102/T	Nut, securing Bracket Washer, Shakeproof, under Nuts Washer, Plain, under Shakeproof Washers		4 4 4	
BD.15899	CONTROL CABLE ASSEMBLY FOR RELEASE OF BOOT LID LOCK	41- 3	1	
BD.16213 UFS.119/3R UFN.119/L C.723/A C.18461	Clamp, for Outer Cable Screw, Set, securing Outer Cable to Clamp Nut, securing Clamp to Bracket Washer, Shakeproof, under Nut Clip, for Outer Cable	41- 4	1 1 1 1 1	
BD.15489	STRIKER FOR BOOT LID LOCK (371/130)	41- 5	1	
BD.8291/1 C.724 FW.104/T BD.11321	Screw, Set, securing Striker to Boot Lid Washer, Shakeproof, on Setscrews Washer, Plain, under Shakeproof Washers Shim (.036" thick) for Striker		4 4 4 As req'd	
BD.17726	"JAGUAR" MOTIF ON BOOT LID	41- 6	1	
BD.10735 BD.15293	Spire Nut, securing Motif Rubber Washer, under Spire Nuts		3 3	
BD.18055/1	RUBBER SEAL FOR BOOT LID	41- 7	1	
BD.659/10	DRAIN TUBE FOR BOOT LID APERTURE		1	Fitted from Chassis No. 850001 to 850117. 875001 to 875520.

BODY FITTINGS

FOR OPEN CARS ONLY

Part No.	Description	Plate No.	No. per Unit	Remarks
BD.23335	DRAIN TUBE AT R.H. SIDE OF BOOT LID APERTURE		1	} Fitted to Chassis No. 850118 and subs. 875521 and subs.
BD.659/12	DRAIN TUBE AT L.H. SIDE OF BOOT LID APERTURE		1	
BD.22536	RUBBER BUFFER CUSHIONING PETROL FILLER LID		2	
BD.18492	COVER PLATE, IN BOOT FLOOR TOP PANEL, OVER REAR SUSPENSION UNIT		1	
BD.18493	Rubber Seal, under Cover Plate		1	
BD.8691/6	Screw, Self-Tapping, securing Cover Plate		7	
BD.19053	Spring Latch, in Top Panel, for Boot R.H. Floorboard fixing	41- 8	1	
BD.1814/1	Pop Rivet, securing Spring Latch		2	
BD.19051	R.H. FLOORBOARD ASSEMBLY, IN BOOT	41- 9	1	
BD.10958	Stud, for Floorboard fixing		1	
BD.9909/5	Tee Nut, receiving Stud		1	
C.723	Washer, Shakeproof, under Nut		1	
BD.19054	Spring Clip, on Number Plate Panel, retaining R.H. Floorboard		1	
BD.1814/1	Pop Rivet, securing Spring Clip		3	
BD.19052	L.H. FLOORBOARD ASSEMBLY, IN BOOT	41-10	1	
BD.19059/2	Screw, Set, securing L.H. Floorboard		2	
BD.18545	Cup Washer, on Setscrews		2	
BD.20641/2	Screw, Self-Tapping, securing L.H. Floorboard		1	
BD.541/34	Washer, Special, on Self-Tapping Screw		1	
BD.4321	Rubber Buffer, in Support Strip		3	

BODY FITTINGS FOR OPEN CARS ONLY

Part No.	Description	Plate No.	No. per Unit	Remarks
BD.11007/1	SPARE WHEEL CLAMP ASSEMBLY	41-11	1	
BD.10637	Handle, operating Spare Wheel Clamp		1	
BD.11008/1	Screw		1	
BD.10639	Plate, on Screw, holding Spare Wheel		1	
C.704/1	Mills Pin, securing Handle to Screw		1	
BD.3438	Clip, on Boot Floor, carrying Jack Handle		2	} NOT REQUIRED FOR JACK WITH INTEGRAL HANDLE
BD.711/8	Self-Tapping Screw, securing Clip		2	
BD.659/9	DRAIN TUBE FOR PETROL FILLER BOX (20" LONG)		1	
C.2905/2	Clip, securing Drain Tube		2	
BD.19637	TRIM BOARD ON BOOT FORWARD BULKHEAD	41-12	1	
BD.19394	TRIM BOARD AT R.H. SIDE OF BOOT	41-13	1	
BD.19395	TRIM BOARD AT L.H. SIDE OF BOOT	41-14	1	
BD.539/4	Screw, Self-Tapping, securing Side Trim Boards		8	
BD.532/1	Cup Washer, on Self-Tapping Screws		8	
BD.20335	MAT ASSEMBLY ON BOOT FLOOR		1	
BD.1286/1	Button, for fixing of Mat to Boot Floor		4	
BD.1286/2	Socket, securing Buttons to Mat		4	
BD.1286/3	Stud, receiving Buttons		4	
BD.540/1	Screw, Self-Tapping, securing Studs to Boot Floor		4	
C.18921	REAR NUMBER PLATE		1	
BD.1229/13	Screw, Self-Tapping, securing Rear Number Plate		4	
BD.6581	Rubber Plug, in Rear Number Plate Panel		4	

BODY FITTINGS

FOR OPEN CARS ONLY

Part No.	Description	Plate No.	No. per Unit	Remarks
BD.19092/1	CHROME BEADING AT R.H. SIDE OF REAR NUMBER PLATE	41-15	1	
BD.19092/2	CHROME BEADING AT L.H. SIDE OF REAR NUMBER PLATE	41-16	1	
BD.24183	JOINT PIECE FOR BEADINGS	41-17	1	
BD.711/6	Screw, Self-Tapping, securing Joint Piece		1	
BD.15891	SEAL ASSEMBLY AT FRONT OF R.H. REAR WHEEL ARCH	41-18	1	Fitted from Chassis No. 850001 to 850655. 875001 to 879023.
BD.15892	SEAL ASSEMBLY AT FRONT OF L.H. REAR WHEEL ARCH	41-19	1	
BD.15893	Rubber Strip, on Seals		2	
BD.15894	SEAL ASSEMBLY AT REAR OF R.H. REAR WHEEL ARCH	41-20	1	
BD.15895	SEAL ASSEMBLY AT REAR OF L.H. REAR WHEEL ARCH	41-21	1	
BD.15896	Rubber Strip, on Seals		2	
BD.1814/2	Pop Rivet, securing Wheel Arch Seals to Body		16	

BODY FITTINGS

FOR OPEN CARS ONLY

Part No.	Description	Plate No.	No. per Unit	Remarks
BD.25200	SEALING PLATE AT FRONT OF R.H. REAR WHEEL ARCH		1	} Fitted to Chassis No. 850656 and subs. 879024 and subs.
BD.25201	SEALING PLATE AT FRONT OF L.H. REAR WHEEL ARCH		1	
BD.25198	SEALING PLATE AT REAR OF R.H. REAR WHEEL ARCH		1	
BD.25199	SEALING PLATE AT REAR OF L.H. REAR WHEEL ARCH		1	
BD.25363	SEALING PLATE, UPPER, FOR R.H. REAR WHEEL ARCH		1	
BD.25364	SEALING PLATE, UPPER, FOR L.H. REAR WHEEL ARCH		1	
BD.11712/1	Pop Rivet, securing Sealing Plates		22	
INTERIOR TRIMMING				
BD.23626	Face Piece (Moquette) for Bulkhead lower (15" × 50")		1	} Fitted to Chassis No. 850527 and subs. 877356 and subs.
BD.20345	Face Piece (Moquette) on R.H. Rear Wheel Arch (17" × 19")		1	
BD.20346	Face Piece (Moquette) on L.H. Rear Wheel Arch (17" × 19")		1	
BD.20344	Felt Backing, for Rear Wheel Arches (12" × 15")		2	
BD.20375	Face Piece (Vynide) on R.H. side of Floor Cross Member (9" × 24")		1	
BD.20376	Face Piece (Vynide) on L.H. side of Floor Cross Member (9" × 24")		1	
BD.20541	Face Piece (Vynide) on Door Sills (14" × 36")		2	
BD.20913	Backing (Polyurethane) for Sills		2	
BD.20456/2	Face Piece (Rexine) on Screen Pillars, at side of Facias (3" × 5")		2	
BD.21185	Face Piece (Rexine) behind Boot Lid Lock Control (3" × 3")		1	
BD.20377	Face Piece (Vynide) at R.H. mounting for Hoodsticks (9" × 14")		1	
BD.20378	Face Piece (Vynide) at L.H. mounting for Hoodsticks (9" × 14")		1	
BD.20906	Face Piece (Vynide) on Tonneau Tacking Strips (2" × 66")		1	
BD.20728	Cover Assembly, protecting Wiring Harness at L.H. side of Scuttle		1	
BD.1814/6	Pop Rivet, securing Cover		2	
BD.20209	Mat Assembly (Hardura) for R.H. side of Scuttle		1	
BD.20210	Mat Assembly (Hardura) for L.H. side of Scuttle		1	
BD.539/4	Screw, Self-Tapping, securing Mats		10	
BD.532/1	Cup Washer, on Self-Tapping Screws		10	

BODY FITTINGS

FOR OPEN CARS ONLY

Part No.	Description	Plate No.	No. per Unit	Remarks
SEALING RUBBERS				
BD.18559	Sealing Rubber, lower, for R.H. "A" Post	42- 1	1	
BD.18560	Sealing Rubber, lower, for L.H. "A" Post	42- 2	1	
BD.21202	Sealing Rubber, Upper, for "A" Posts (13½" long)	42- 3	2	
BD.21197	Sealing Rubber, for Door Sills	42- 4	2	
BD.24789	Sealing Rubber, for Door Sills		2	SUPERSEDED BY BD.24789.
BD.21196	Sealing Rubber, for Body Shut Pillars	42- 5	2	SUPERSEDES BD.21197.
BD.20413	Sealing Rubber, for front of Cantrails (4½" long)	42- 6	2	} Fitted from Chassis No. 850001 to 850091. 875001 to 875373.
BD.20414	Sealing Rubber, for centre of Cantrails (8⅝" long)	42- 7	2	
BD.20415	Sealing Rubber, for rear of Cantrails (4" long)	42- 8	2	
BD.20416	Sealing Rubber, for Hood Pillars	42- 9	2	
BD.21799/1	Sealing Rubber, for front of R.H. Cantrail (4½" long)		1	
BD.21800/1	Sealing Rubber, for front of L.H. Cantrail (4½" long)		1	
BD.21799/2	Sealing Rubber, for centre of R.H. Cantrail (8⅝" long)		1	
BD.21800/2	Sealing Rubber, for centre of L.H. Cantrail (8⅝" long)		1	
BD.21799/3	Sealing Rubber, for rear of R.H. Cantrail (4" long)		1	
BD.21800/3	Sealing Rubber, for rear of L.H. Cantrail (4" long)		1	} Fitted to Chassis No. 850092 and subs. 875374 and subs.
BD.21799/4	Sealing Rubber, for R.H. Hood Pillar		1	
BD.21800/4	Sealing Rubber, for L.H. Hood Pillar		1	
BD.18055/1	Sealing Rubber, for Boot Lid (121" long)	42-10	1	
BD.17413	Sealing Rubber, for Canopy Panel to top of Windscreen (55" long)	42-11	1	NOT REQUIRED WHEN GLASS FIBRE CANOPY IS FITTED.
BD.22392/1	Sealing Rubber, for Canopy Panel to top of Windscreen (49½" long)		1	REQUIRED WHEN GLASS FIBRE CANOPY IS FITTED.
BD.20903/1	Sealing Rubber, for rear edge of Bonnet (68" long)	42-12	1	
ANTI-DRUM MATERIAL				
BD.20272	Flintkote, on Door Panels (9"×24")		2	
BD.20273	Flintkote, on Door Bottom Rails (2"×18")		2	
BD.20211	Flintkote, for R.H. side of Scuttle (15"×13")		1	
BD.20212	Flintkote, for L.H. side of Scuttle (15"×13")		1	
BD.20217	Flintkote, on Front Floors (27"×19½")		2	Fitted from Chassis No. 850001 to 850357. 875001 to 876581.
BD.22965	Flintkote, on R.H. Front Floor		1	} Fitted to Chassis No. 850358 and subs.
BD.22966	Flintkote, on L.H. Front Floor		1	
BD.22965	Flintkote, on R.H. Front Floor		1	} Fitted to Chassis No. 876582 and subs.
BD.22967	Flintkote, on L.H. Front Floor		1	
BD.20422	Flintkote, at top front of Gearbox Cover (7"×8")		1	
BD.20902	Flintkote, on Tunnel (16"×18")		1	
BD.20215	Flintkote, on Floor Panel, behind Seats (21"×18½")		2	
BD.20340	Flintkote, Top, for Rear Bulkhead Panel (15"×36")		1	
BD.20341	Flintkote, Centre, for Rear Bulkhead Panel (14"×48")		1	
BD.20342	Flintkote, Lower, for Rear Bulkhead Panel (8"×24")		2	

BODY FITTINGS FOR OPEN CARS ONLY

Part No.	Description	Plate No.	No. per Unit	Remarks
CARPETS FOR R.H. DRIVE CARS				
BD.20347	Carpet Assembly , on R.H. Front Floor	42-13	1	} Fitted from Chassis No. 850001 to 850357. } Fitted to Chassis No. 850358 and subs.
BD.20348	Carpet Assembly , on L.H. Front Floor	42-14	1	
BD.22962	Carpet Assembly , on R.H. Front Floor		1	
BD.22963	Carpet Assembly , on L.H. Front Floor		1	
BD.20350	Carpet Assembly , on Toeboards	42-15	2	
BD.20352	Carpet Assembly , at front R.H. side of Tunnel	42-16	1	
BD.20353	Carpet Assembly , at front L.H. side of Tunnel	42-17	1	
BD.20354	Carpet Assembly , at rear R.H. side of Tunnel	42-18	1	
BD.20355	Carpet Assembly , at rear L.H. side of Tunnel	42-19	1	
CARPETS FOR L.H. DRIVE CARS				
BD.20347	Carpet Assembly , on R.H. Front Floor		1	} Fitted from Chassis No. 875001 to 876581. } Fitted to Chassis No. 876582 and subs.
BD.20349	Carpet Assembly , on L.H. Front Floor		1	
BD.22962	Carpet Assembly , on R.H. Front Floor		1	
BD.22964	Carpet Assembly , on L.H. Front Floor		1	
BD.20350	Carpet Assembly , on Toeboards		2	
BD.20352	Carpet Assembly , at front R.H. side of Tunnel		1	
BD.20353	Carpet Assembly , at front L.H. side of Tunnel		1	
BD.20354	Carpet Assembly , at rear R.H. side of Tunnel		1	
BD.20355	Carpet Assembly , at rear L.H. side of Tunnel		1	
INSULATING FELTS FOR R.H. DRIVE CARS				
BD.20218	Rubberised Felt , on R.H. Front Floor (28" × 19½" × ½")		1	
BD.20230	Rubberised Felt , on L.H. Front Floor (28" × 19½" × ½")		1	
BD.20220	Rubberised Felt , on R.H. Toe Board (13" × 10" × ½")		1	
BD.20221	Rubberised Felt , on L.H. Toe Board (14" × 10" × ½")		1	
BD.20235	Rubberised Felt , under R.H. side of Scuttle (19" × 19" × ½")		1	
BD.20236	Rubberised Felt , under R.H. side of Scuttle (18½" × 10½" × ½")		1	
BD.20237	Rubberised Felt , under L.H. side of Scuttle (15" × 8½" × ½")		1	
BD.20227	Rubberised Felt , Gearbox Cover to Scuttle (10" × 7" × ½")		1	
BD.21233	Rubberised Felt , at top of Gearbox Cover (7" × 7" × ½")		1	
BD.20205	Rubberised Felt , at front R.H. side of Tunnel (15" × 11" × ½")		1	
BD.20206	Rubberised Felt , at front L.H. side of Tunnel (15" × 11" × ½")		1	
BD.20207	Rubberised Felt , at R.H. side of Tunnel (17" × 8" × ½")		1	
BD.20208	Rubberised Felt , at L.H. side of Tunnel (17" × 8" × ½")		1	
BD.20339	Rubberised Felt , under Petrol Tank (6" × 7" × ½")		1	
BD.20672	Rubberised Felt , at centre of Rear Bulkhead Panel (48" × 13½" × ½")		1	
BD.20222	Hardura , on R.H. Toe Board (14" × 10" × ½")		1	
BD.20223	Hardura , on L.H. Toe Board (14" × 10" × ½")		1	
BD.20336	Hardura , for Scuttle Top, L.H. (17" × 18" × ½")		1	
BD.20337	Hardura , for Scuttle Top, R.H. (10" × 19" × ½")		1	
BD.20338	Hardura , for Scuttle Top, Centre (7" × 8" × ½")		1	

BODY FITTINGS

FOR OPEN CARS ONLY

Part No.	Description	Plate No.	No. per Unit	Remarks
INSULATING FELTS FOR L.H. DRIVE CARS				
BD.20218	Rubberised Felt, on R.H. Front Floor (28"×19½"×½")		1	
BD.20219	Rubberised Felt, on L.H. Front Floor (28"×19½"×½")		1	
BD.20220	Rubberised Felt, on R.H. Toe Board (13"×10"×½")		1	
BD.20221	Rubberised Felt, on L.H. Toe Board (14"×10"×½")		1	
BD.20224	Rubberised Felt, under R.H. side of Scuttle (19"×19"×½")		1	
BD.20225	Rubberised Felt, under L.H. side of Scuttle (18½"×10½"×½")		1	
BD.20226	Rubberised Felt, under L.H. side of Scuttle (15"×8½"×½")		1	
BD.20227	Rubberised Felt, Gearbox Cover to Scuttle (10"×7"×½")		1	
BD.21233	Rubberised Felt, at top of Gearbox Cover (7"×7"×½")		1	
BD.20205	Rubberised Felt, at front R.H. side of Tunnel (15"×11"×½")		1	
BD.20206	Rubberised Felt, at front L.H. side of Tunnel (15"×11"×½")		1	
BD.20207	Rubberised Felt, at R.H. side of Tunnel (17"×8"×½")		1	
BD.20208	Rubberised Felt, at L.H. side of Tunnel (17"×8"×½")		1	
BD.20672	Rubberised Felt, at centre of Rear Bulkhead Panel (48"×13½"×½")		1	
BD.20339	Rubberised Felt, under Petrol Tank (6"×7"×½")		1	
BD.20222	Hardura, on R.H. Toe Board (14"×10"×½")		1	
BD.20223	Hardura, on L.H. Toe Board (14"×10"×½")		1	
BD.20231	Hardura, for Scuttle Top, R.H. (17"×18"×½")		1	
BD.20232	Hardura, for Scuttle Top, L.H. (10"×19"×½")		1	
BD.20233	Hardura, for Scuttle Top, centre (7"×8"×½")		1	
BD.19464	HOOD STICKS ASSEMBLY	43- 1	1	
BD.19492	Stop Stud, in No. 2 Links		2	
UFN.225/L	Locknut, on Stop Studs		2	
BD.20359	Pivot Bolt, securing Link No. 1 to Link No. 2		2	
BD.19259	Dome Nut, on Pivot Bolts		2	
BD.19193	Pivot Bolt, joining Link No. 3 to Main Stick		2	
BD.21193	Pivot Bolt, joining Link No. 6 to Main Stick		2	
BD.541/22	Brass Washer, on Pivot Bolts		2	
BD.541/23	Brass Washer, on Pivot Bolts		6	
BD.19302	Bolt, securing Link No. 1 to Canopy Rail		4	
BD.541/32	Washer, Special, on Bolts		4	
UFN.125/L	Nut, on Bolts		4	
C.724	Washer, Shakeproof, under Nuts		4	
BD.19249	Cantrail Channel, L.H. Front	43- 2	1	
BD.19250	Cantrail Channel, R.H. Front		1	
BD.19249/1	Cantrail Channel, L.H. Rear	43- 3	1	
BD.19250/1	Cantrail Channel, R.H. Rear		1	
UFS.519/4H	Screw, Set, securing Cantrail Channels to Hoodstick Links		6	
UFS.119/4R	Screw, Set, securing Cantrail Channels to Hoodstick Links		4	
BD.541/28	Special Washer, on Setscrews		10	
AW.102/T	Washer, Plain, on Setscrews		4	
UFN.119/L	Nut, on Setscrews		10	
C.723/A	Washer, Shakeproof, under Nuts		10	
BD.19367	Main Head Pillar Assembly, L.H.	43- 4	1	
BD.19368	Main Head Pillar Assembly, R.H.		1	
UCS.513/4H	Screw, Set, securing Pillars to Main Stick		4	
BD.532/1	Washer, Cupped, under Shakeproof Washer		As req'd.	
UFS.419/3H	Screw, Set, securing Pillars to Main Stick		4	
C.723/A	Washer, Shakeproof, on Setscrews		4	
AW.102/T	Washer, Plain, under Shakeproof Washer		4	

BODY FITTINGS FOR OPEN CARS ONLY

Part No.	Description	Plate No.	No. per Unit	Remarks
BD.20657	PIVOT BRACKET ASSEMBLY, R.H., FOR MAIN STICK		1	
BD.19458	PIVOT BRACKET ASSEMBLY, L.H., FOR MAIN STICK	43- 5	1	
UFN.131/L C.725 FW.105/T BD.23469	Nut , securing Pivot Brackets to Wheel Arches Washer , Shakeproof, under Nuts Washer , Plain, under Shakeproof Washers Shim , for Pivot Bracket adjustment		4 4 4 As req'd	
BD.19160	Bolt , Special, pivoting Main Stick		2	
BD.19393	Bolt , Special, securing Control Link to Body		2	
BD.541/30	Brass Washer , on Special Bolts		6	
BD.17413	SEALING RUBBER FOR CANOPY PANEL TO TOP OF WINDSCREEN (55" LONG)		1	NOT REQUIRED WHEN GLASS FIBRE CANOPY IS FITTED.
BD.22392/1	SEALING RUBBER FOR CANOPY PANEL TO TOP OF WINDSCREEN (49½" LONG)		1	REQUIRED WHEN GLASS FIBRE CANOPY IS FITTED.
BD.20413	SEALING RUBBER FOR FRONT OF CANTRAILS (4⅛" LONG)		2	Fitted from Chassis No. 850001 to 850091. 875001 to 875373.
BD.21799/1	SEALING RUBBER FOR FRONT OF R.H. CANTRAIL (4⅛" LONG)		1	} Fitted to Chassis No. 850092 and subs. 875374 and subs.
BD.21800/1	SEALING RUBBER FOR FRONT OF L.H. CANTRAIL (4⅛" LONG)		1	
BD.20414	SEALING RUBBER FOR CENTRE OF CANTRAILS (8⅞" LONG)		2	Fitted from Chassis No. 850001 to 850091. 875001 to 875373.
BD.21799/2	SEALING RUBBER FOR CENTRE OF R.H. CANTRAIL (8⅞" LONG)		1	} Fitted to Chassis No. 850092 and subs. 875374 and subs.
BD.21800/2	SEALING RUBBER FOR CENTRE OF L.H. CANTRAIL (8⅞" LONG)		1	

BODY FITTINGS

FOR OPEN CARS ONLY

Part No.	Description	Plate No.	No. per Unit	Remarks
BD.20415	SEALING RUBBER FOR REAR OF CANTRAILS (4" LONG)		2	Fitted from Chassis No. 850001 to 850091. 875001 to 875373.
BD.21799/3	SEALING RUBBER FOR REAR OF R.H. CANTRAIL (4" LONG)		1	Fitted to Chassis No. 850092 and subs. 875374 and subs.
BD.21800/3	SEALING RUBBER FOR REAR OF L.H. CANTRAIL (4" LONG)		1	
SEAL RETAINERS				
BD.19254	Retainer Assembly, on L.H. Front Cantrail		1	NOT REQUIRED WHEN GLASS FIBRE CANOPY IS FITTED.
BD.19255	Retainer Assembly, on R.H. Front Cantrail		1	
BD.19256	Retainer Assembly, on L.H. Rear Cantrail		1	
BD.19257	Retainer Assembly, on R.H. Rear Cantrail		1	
BD.1814/2	Pop Rivet, securing Retainers		14	
BD.23734	Retainer Assembly, on L.H. Front Cantrail		1	REQUIRED WHEN GLASS FIBRE CANOPY IS FITTED.
BD.23733	Retainer Assembly, on R.H. Front Cantrail		1	
BD.23736	Retainer Assembly, on L.H. Rear Cantrail		1	
BD.23735	Retainer Assembly, on R.H. Rear Cantrail		1	
BD.1814/2	Pop Rivet, securing Retainers		24	
BD.20416	SEALING RUBBER FOR HOOD PILLARS		2	Fitted from Chassis No. 850001 to 850091. 875001 to 875373.
BD.21799/4	SEALING RUBBER FOR R.H. HOOD PILLAR		1	Fitted to Chassis No. 850092 and subs. 875374 and subs.
BD.21800/4	SEALING RUBBER FOR L.H. HOOD PILLAR		1	
BD.19293	DRIP MOULDING 'L.H.' AT REAR OF HOOD OPENING	43- 6	1	

BODY FITTINGS

FOR OPEN CARS ONLY

Part No.	Description	Plate No.	No. per Unit	Remarks
BD.19294	DRIP MOULDING 'R.H.' AT REAR OF HOOD OPENING		1	
BD.711/18	Screw , Self-Tapping, securing Drip Mouldings		10	
BD.20582	HOOD CLOTH ASSEMBLY, COMPLETE	43- 7	1	
BD.568/1	Socket , on Hood Cloth, for "Lift the Dot" Fasteners		2	
BD.568/2	Clinch Plate , securing Sockets		2	
TACKING STRIPS				
BD.20140	Tacking Strip , L.H., for Hood Cloth fixing		1	
BD.20141	Tacking Strip , R.H., for Hood Cloth fixing		1	
BD.20142	Tacking Strip , Centre, for Hood Cloth fixing		1	
BD.711/1	Screw , Self-Tapping, securing Tacking Strips		14	
BD.20460	Fillet (Hardwood) for Tonneau Side, R.H. inner		1	
BD.20461	Fillet (Hardwood) for Tonneau Side, L.H. inner		1	
BD.540/14	Screw , Self-Tapping, securing Fillets		6	
BD.20099	CHROME BEADING ON CANOPY RAIL	43- 8	1	} NOT REQUIRED WHEN GLASS FIBRE CANOPY IS FITTED.
BD.16794	Clip , securing Beading	43- 9	20	
BD.24649	CHROME BEADING ON CANOPY RAIL		1	} REQUIRED WHEN GLASS FIBRE CANOPY IS FITTED.
BD.17497	Clip , securing Beading		13	
BD.540/24	Screw , Self-Tapping, securing Beading		13	
BD.19683	CHROME BEADING ON TONNEAU	43-10	1	} USE BD.21397 FOR ALL REPLACEMENTS
BD.11719	Clip , securing Beading		14	
BD.711/3	Screw , Self-Tapping, securing Clips		14	
BD.9248	Special Bolt , securing Chrome Beading		2	
UCN.116/L	Nut , on Special Bolts		2	
C.722	Washer , Shakeproof, under Nuts		2	
BD.21397	CHROME BEADING ON TONNEAU		1	} SUPERSEDES BD.19683
BD.539/10	Screw , Self-Tapping, securing Chrome Beading		8	
BD.539/16	Screw , Self-Tapping, securing Chrome Beading		2	
BD.20658	HOOK PLATE, UNDER TONNEAU BEADING, FOR FIXING OF HOOD ENVELOPE	43-11	4	
BD.540/1	Screw , Self-Tapping, securing Hook Plates		8	

BODY FITTINGS

FOR OPEN CARS ONLY

Part No.	Description	Plate No.	No. per Unit	Remarks
BD.15907	TOGGLE CLAMP ASSEMBLY, OUTER, SECURING HOOD WHEN RAISED	43-12	2	} NOT REQUIRED WHEN GLASS FIBRE CANOPY IS FITTED.
BD.15912	Hook only, for Toggle Clamps		2	
BD.20892	Locknut, for Hooks		2	
BD.17546/2	Screw, Set, securing Toggle Clamps to Canopy Rail		4	
C.724	Washer, Shakeproof, on Setscrews		4	
BD.541/32	Washer, Special, under Shakeproof Washers		4	
BD.23581/1	Anti Rattle Tube, for Toggle Clamps		2	
BD.22678	TOGGLE CLAMP ASSEMBLY, OUTER, SECURING HOOD WHEN RAISED		2	} REQUIRED WHEN GLASS FIBRE CANOPY IS FITTED.
BD.15912	Hook only, for Toggle Clamps		2	
BD.20892	Locknut, for Hooks		2	
BD.13713/2	Screw, Set, securing Toggle Clamps to Canopy Rail		4	
BD.21516/5	Washer, Shakeproof, on Setscrews		4	
BD.541/27	Washer, Special, under Shakeproof Washers		4	
BD.15508	CHROME SOCKET, AT TOP OF R.H. SCREEN PILLAR, RECEIVING HOOK		1	
BD.15509	CHROME SOCKET, AT TOP OF L.H. SCREEN PILLAR, RECEIVING HOOK	43-13	1	
BD.15534/3	Screw, Set, securing Cappings to side of Screen Pillars		2	
BD.16940/2	Screw, Set, securing Cappings to top of Screen Pillars		2	
BD.21098	RUBBER SEALING PAD AT TOP OF R.H. SCREEN PILLAR		1	
BD.21099	RUBBER SEALING PAD AT TOP OF L.H. SCREEN PILLAR		1	
BD.540/12	Screw, Self-Tapping, securing Sealing Pads		2	
BD.19515	TOGGLE CLAMP ASSEMBLY, CENTRE, SECURING HOOD WHEN RAISED	43-14	1	
BD.15912	Hook only, for Toggle Clamp		1	
BD.20892	Locknut, for Hook		1	
BD.13713/2	Screw, Set, securing Toggle Clamp to Canopy Rail ($\frac{1}{2}$ " long)		2	
BD.13713/6	Screw, Set, securing Toggle Clamp to Canopy Rail (1" long)		2	
BD.541/27	Special Washers, on Setscrews		4	
BD.23581/1	Anti Rattle Tube, for Toggle Clamps		1	

BODY FITTINGS FOR OPEN CARS ONLY

Part No.	Description	Plate No.	No. per Unit	Remarks
BD.20857	CHROME SOCKET, AT TOP OF WINDSCREEN, RECEIVING CENTRE TOGGLE	43-15	1	
BD.20861/1	Screw, Set, Self-Locking, securing Boss to Screen Top Finisher		2	
BD.19517	TENSION ROD, BETWEEN SOCKET AND SCREEN RAIL	43-16	1	
BD.19518	Nut, securing Tension Rod to Bracket on Dash		2	
FW.104/T	Washer, Plain, under Nuts		2	
BD.23138	Bracket Assembly, on Dash, receiving lower end of Tension Rod		1	
BD.1229/14	Screw, Self-Tapping, securing Bracket to Dash		4	
BD.8633/6	Spire Nut, on Self-Tapping Screws		4	
BD.20660	STRAP ASSEMBLY, ON CANOPY RAIL, FOR FIXING OF HOOD WHEN FOLDED	43-17	2	
BD.20674	Socket, on Straps, for "Lift the Dot" Fasteners		2	
BD.568/2	Clinch Plate, securing Sockets		2	
BD.20659	Chrome Bezel, in Canopy Panel, for Straps	43-18	2	} NOT REQUIRED WHEN GLASS FIBRE CANOPY IS FITTED.
BD.13713/7	Screw, Set, securing Straps to Canopy Rail		2	
C.2017/2	Washer, Special, on Setscrews		2	
BD.20781	Spacer, on Setscrews		2	
BD.1750	"Lift the Dot" Stud, securing end of Straps when not in use		2	} REQUIRED WHEN GLASS FIBRE CANOPY IS FITTED.
BD.23610	Chrome Bezel, in Canopy Panel, for Straps		2	
BD.13713/3	Screw, Set, securing Straps to Canopy Rail		2	
C.2017/2	Washer, Special, on Setscrews		2	
BD.20781	Spacer, on Setscrews		2	
BD.1749	"Lift the Dot" Stud, securing end of Straps when not in use		2	
BD.20721	ENVELOPE ASSEMBLY, ENCLOSING HOOD WHEN FOLDED	43-19	1	
BD.568/1	Socket, on Envelope, for "Lift the Dot" Fasteners		3	
BD.568/2	Clinch Plate, securing Sockets		3	
BD.3822	"Tenax" Fastener Assembly, for fixing of Hood Envelope		2	
BD.1749	Stud (Short) on Rear Floor Panel, receiving "Lift the Dot" Fasteners		1	
BD.4076	Stud (Long) on Rear Floor Panel, receiving "Lift the Dot" Fasteners		2	
AN.102/L	Nut, securing Studs		3	
C.723	Washer, Shakeproof, under Nuts		3	
BD.3822	"TENAX" FASTENER ASSEMBLY, COMPLETE		2	
BD.3822/1	Button only (Tenax No. 31)		2	
BD.3822/2	Nut, securing Buttons (Tenax No. 32)		2	
BD.23608	Stud, receiving Buttons		2	
C.723A	Washer, Shakeproof, on Stud		2	

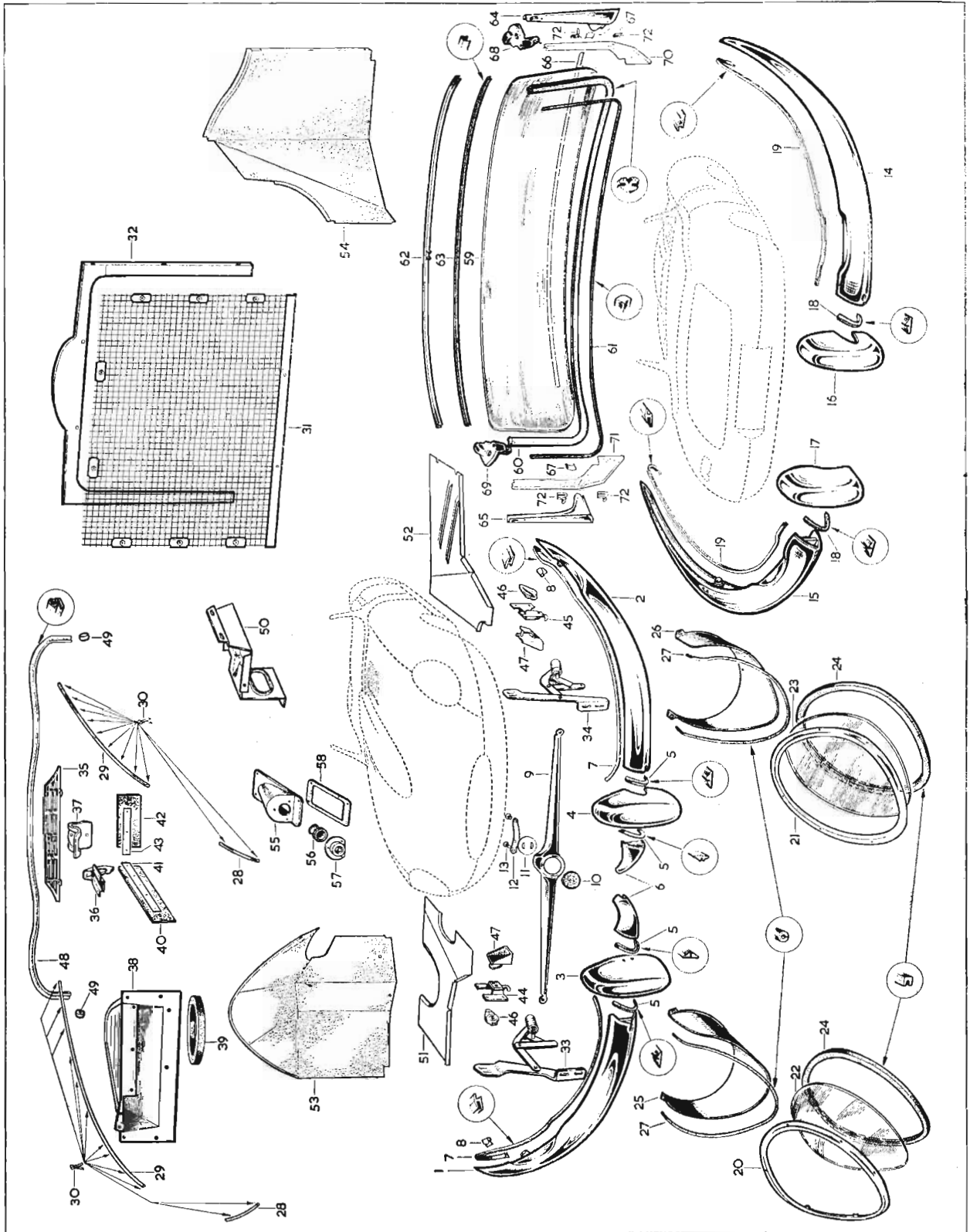


PLATE 38

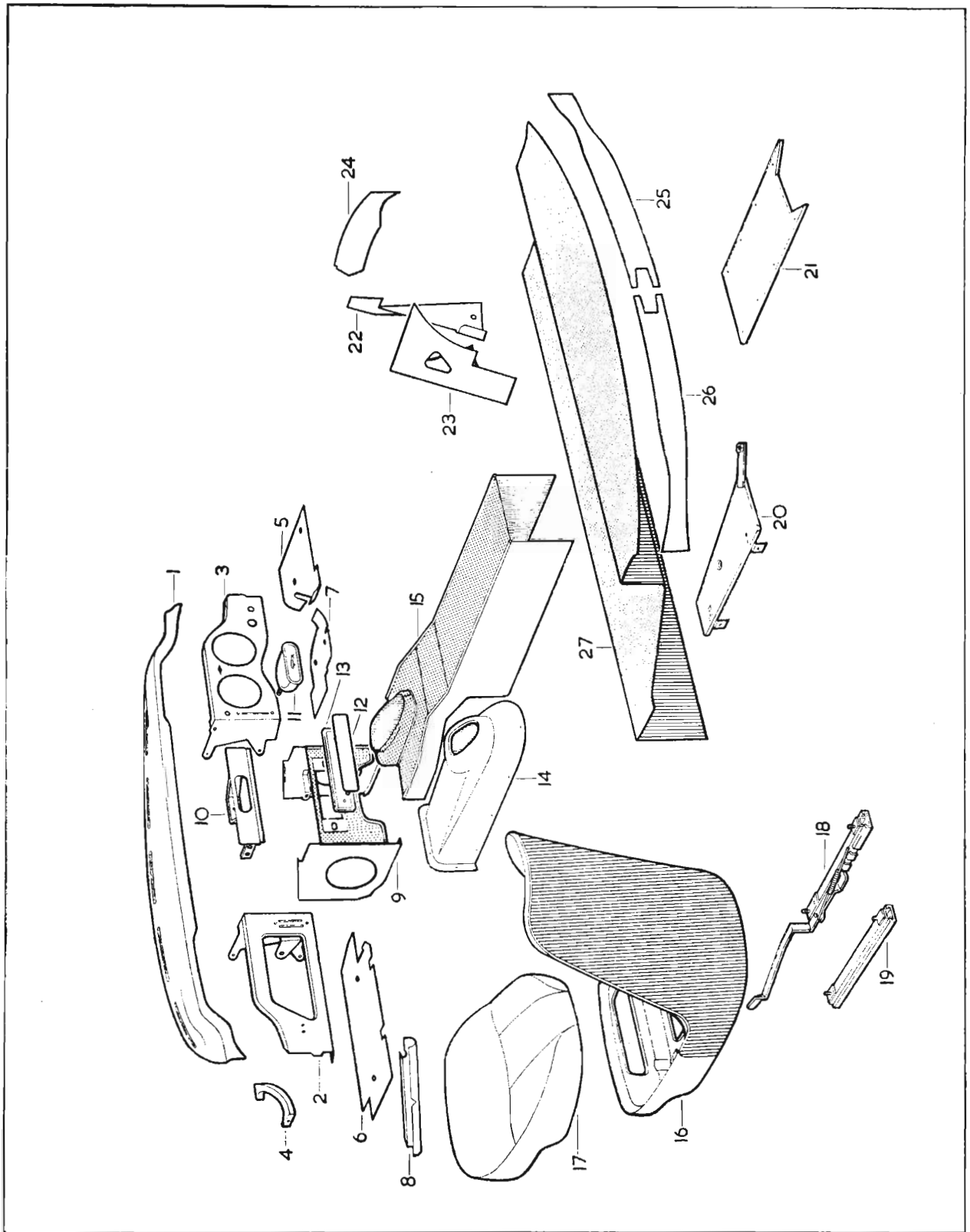


PLATE 39

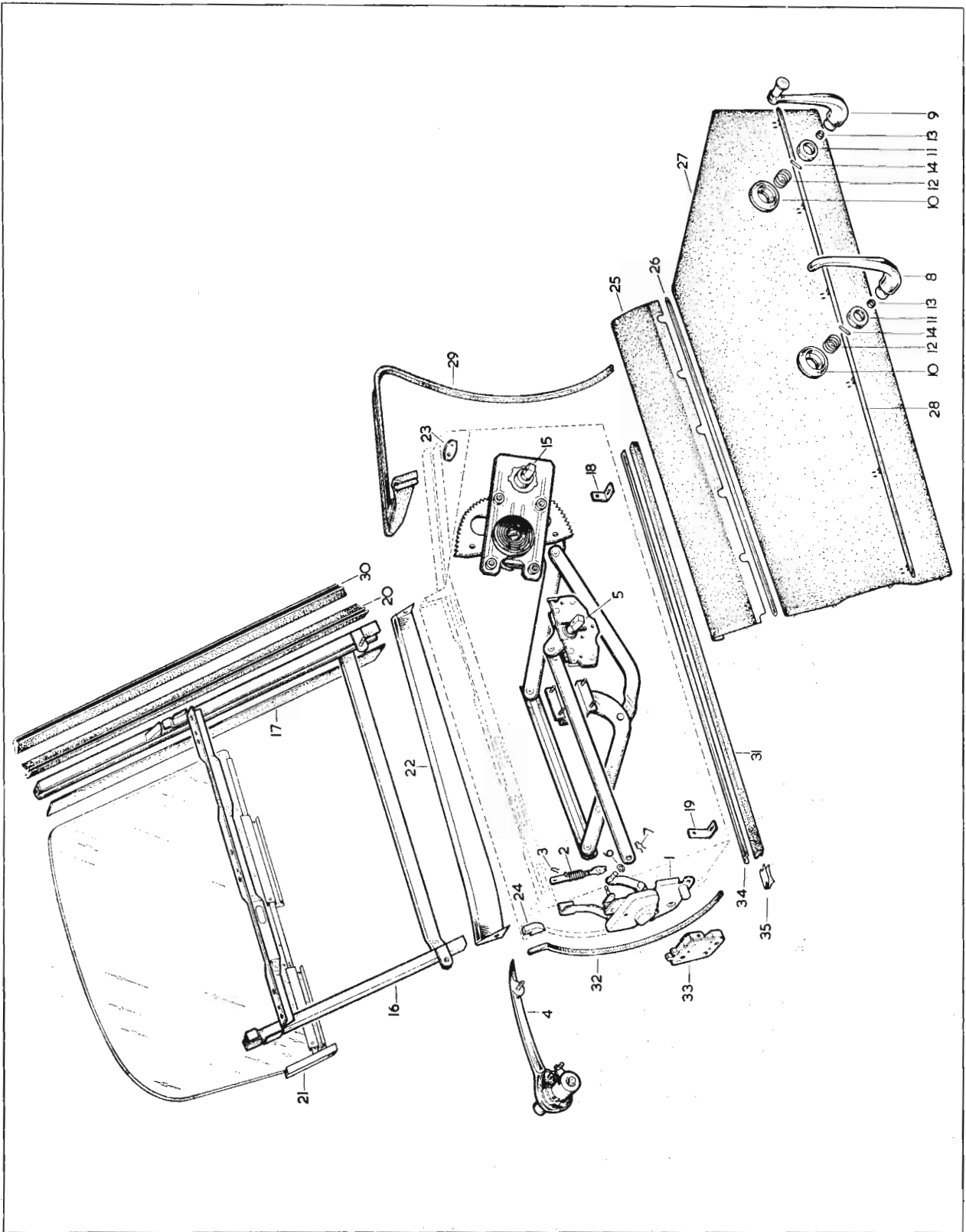


PLATE 40

JAGUAR-6

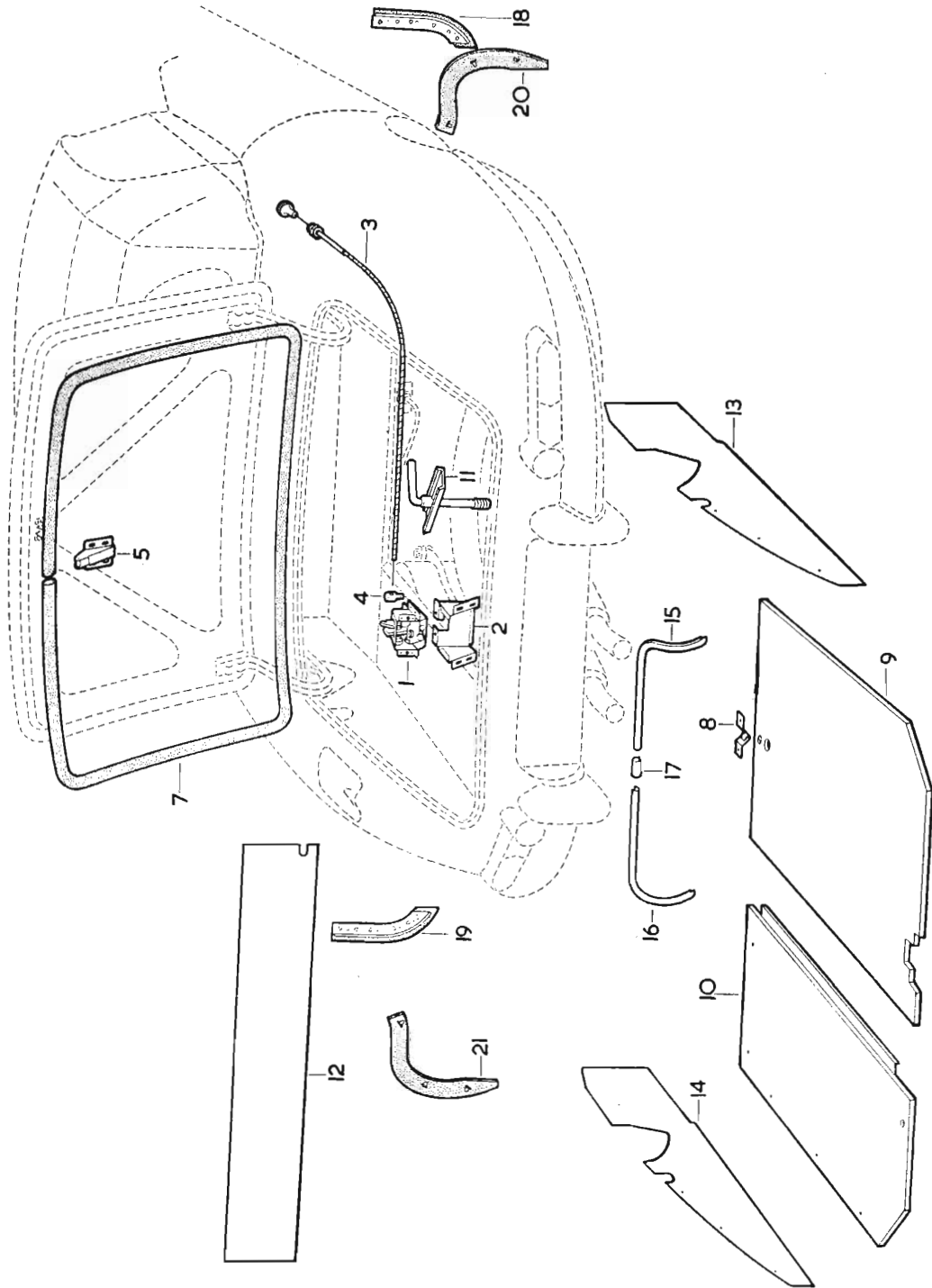


PLATE 41

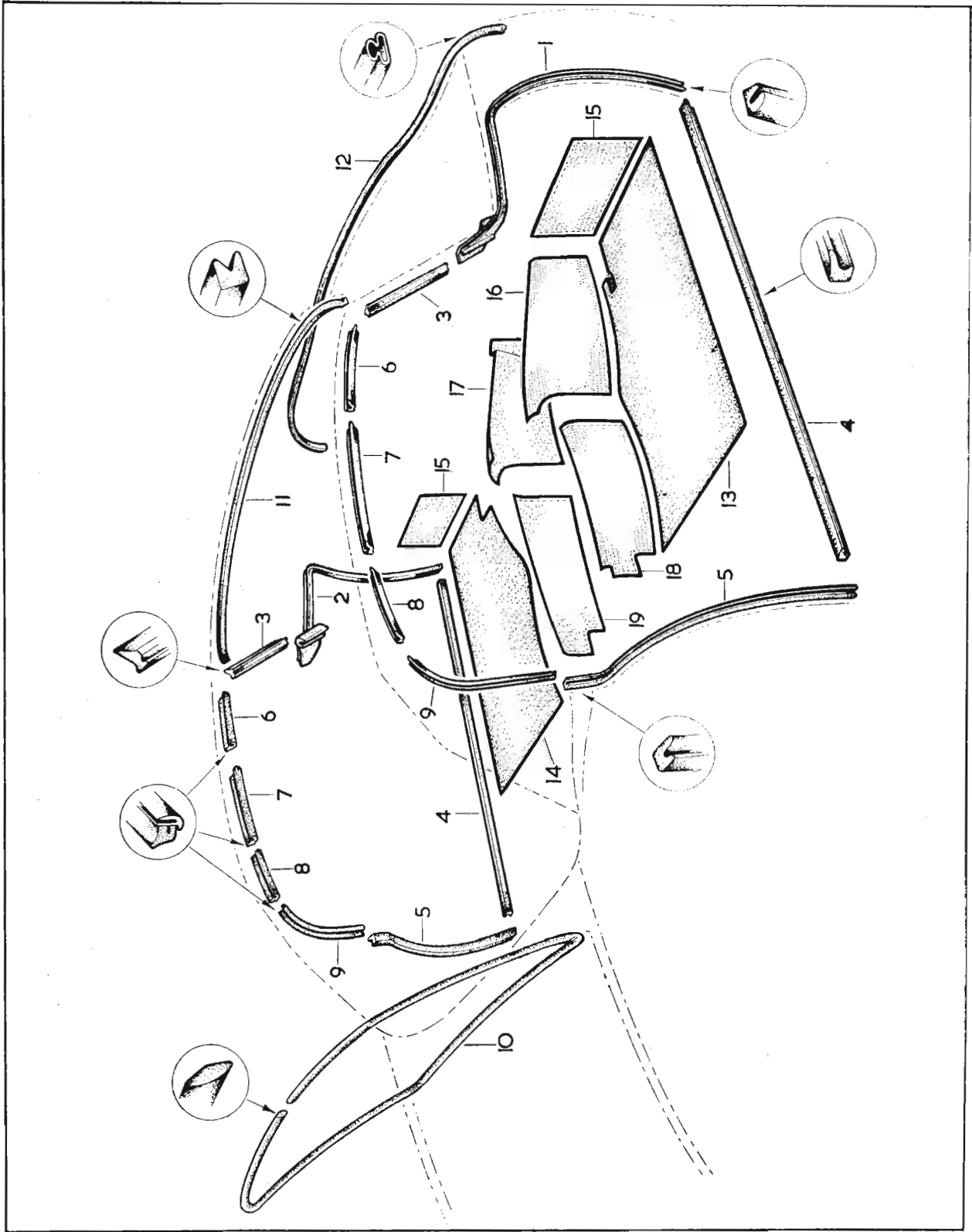


PLATE 42

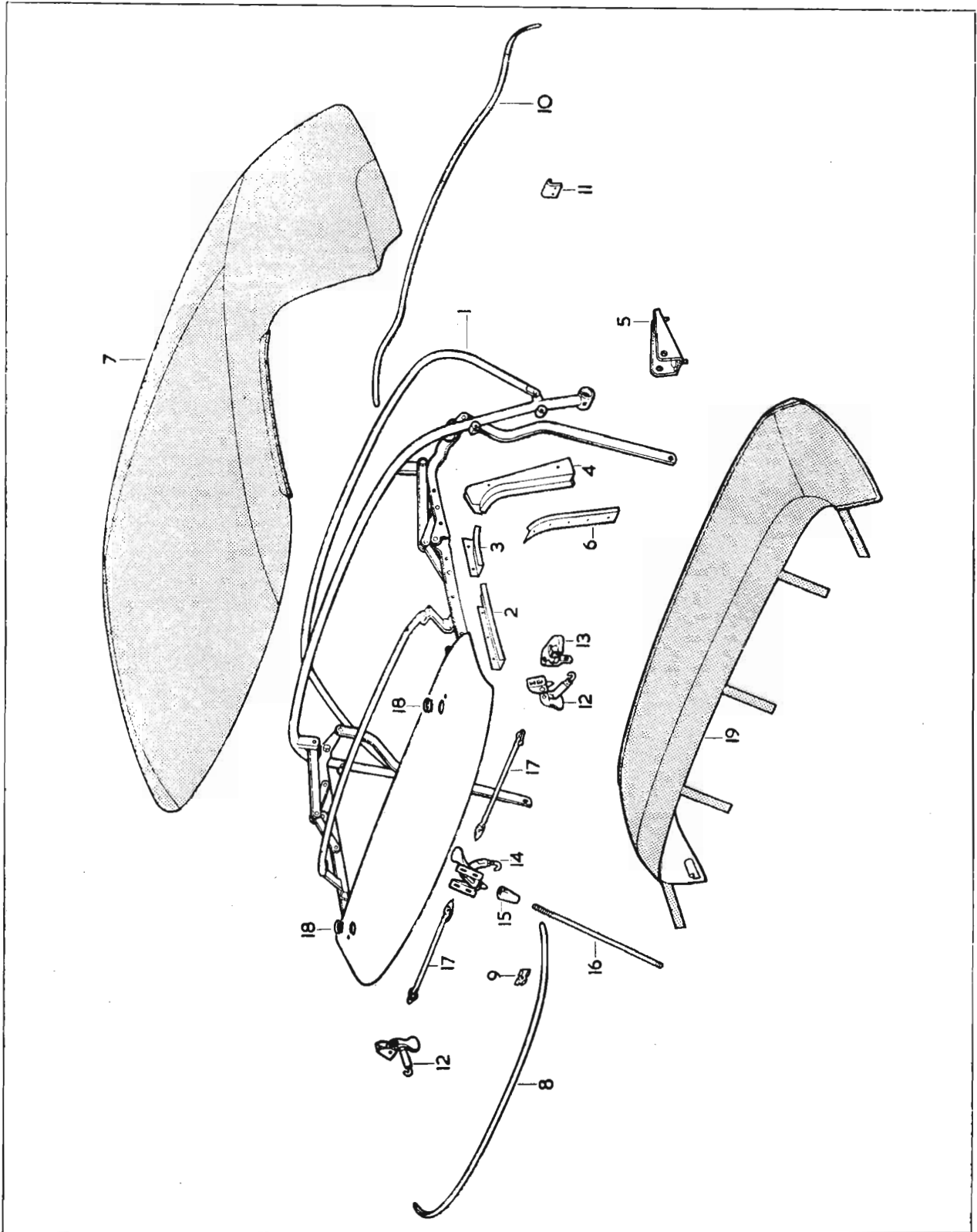


PLATE 43

FITTED FROM CHASSIS No. 860001 TO 860478, 885001 TO 886013

BODY SHELL

FOR FIXED HEAD COUPE ONLY

Part No.	Description	Plate No.	No. per Unit	Remarks
BD.19350	BODY SHELL ASSEMBLY, COMPLETE		1	
BD.19334	Underframe Assembly		1	
BD.16550	Bonnet and Front Wings Assembly		1	Fitted from Chassis No. 860001 to 860004. 885001 to 885020.
BD.19929	Bonnet and Front Wings Assembly		1	Fitted from Chassis No. 860005 to 860478. 885021 to 886013.
C.16942	Front Sub-Frame Assembly		1	Fitted from Chassis No. 860001 to 860138. 885001 to 885384.
C.19339	Front Sub-Frame Assembly		1	Fitted from Chassis No. 860139 to 860478. 885385 to 886013.
C.15014	Front Cross Member Assembly		1	} For Fixings to Main Body Portion, please refer to Section for Front Frame.
C.15029	R.H. Side Member Assembly		1	
C.15030	L.H. Side Member Assembly		1	
C.16803	Hinge, for Bonnet		2	
C.19326	Hinge, for Bonnet		2	Fitted from Chassis No. 860001 to 860138. 885001 to 885384. Fitted from Chassis No. 860139 to 860478. 885385 to 886013.
BD.19739	Door Shell Assembly, R.H.		1	
BD.19740	Door Shell Assembly, L.H.		1	
BD.15495	Hinge Assembly, for R.H. Door		1	
BD.15496	Hinge Assembly, for L.H. Door		1	
BD.20957	Scuttle Top Panel Assembly		1	
BD.19341	R.H. Windscreen Pillar Assembly		1	
BD.19342	L.H. Windscreen Pillar Assembly		1	
BD.15217	Filler Panel between R.H. Screen Pillar and Scuttle Top Panel		1	
BD.15218	Filler Panel between L.H. Screen Pillar and Scuttle Top Panel		1	
BD.15467	Closing Panel, under R.H. Screen Pillar		1	
BD.15468	Closing Panel, under L.H. Screen Pillar		1	
BD.17069	Corner Panel, Dash to Scuttle Top, R.H.		1	
BD.17070	Corner Panel, Dash to Scuttle Top, L.H.		1	
BD.15180	Exterior Panel Assembly, R.H. Dash Side		1	
BD.15181	Exterior Panel Assembly, L.H. Dash Side		1	
BD.15133	R.H. Sill Outer Panel		1	
BD.15134	L.H. Sill Outer Panel		1	
BD.15184	End Plate, at front of R.H. Sill		1	
BD.15187	Bracket Assembly, at front of R.H. Sill, mounting Air Cleaner		1	
BD.15185	End Plate Assembly, at front of L.H. Sill		1	
BD.15186	Bracket Assembly, at front of L.H. Sill, mounting Battery Tray		1	
BD.19586	Bracket Assembly, for Jack location		2	
BD.19338	Panel Assembly, lower rear		1	
BD.20310	Rear Wing Panel Assembly, R.H.		1	
BD.20311	Rear Wing Panel Assembly, L.H.		1	
BD.19340/4	Tail Panel, below Boot Lid		1	
BD.19340/1	Roof Panel Assembly		1	
BD.19617	Cantrail Panel Assembly, R.H.		1	
BD.19618	Cantrail Panel Assembly, L.H.		1	
BD.20809	Support Panel Assembly at R.H. side of Boot Lid aperture		1	
BD.20810	Support Panel Assembly at L.H. side of Boot Lid aperture		1	
BD.19550	Boot Lid Shell Assembly		1	
BD.20306	Hinge Assembly, upper, for Boot Lid		1	
BD.20307	Hinge Assembly, lower, for Boot Lid		1	
BD.19355	Lid Assembly, for Petrol Filler Box		1	
BD.19532	Fixing Bracket, outer, for R.H. Stop/Tail Lamp		1	
BD.19533	Fixing Bracket, outer, for L.H. Stop/Tail Lamp		1	
BD.19534	Fixing Bracket, inner, for R.H. Stop/Tail Lamp		1	
BD.19535	Fixing Bracket, inner, for L.H. Stop/Tail Lamp		1	
BD.19869	Reinforcement Channel, at top of R.H. Windscreen Pillar		1	
BD.19870	Reinforcement Channel, at top of L.H. Windscreen Pillar		1	

BODY SHELL

FOR FIXED HEAD COUPE ONLY

FITTED FROM CHASSIS No. 860479 TO 860580, 886014 TO 886092

Part No.	Description	Plate No.	No. per Unit	Remarks
BD.20748	BODY SHELL ASSEMBLY, COMPLETE		1	
BD.19334	Underframe Assembly		1	
BD.19929	Bonnet and Front Wings Assembly		1	
C.19339	Front Sub-Frame Assembly		1	
C.15014	Front Cross Member Assembly		1	
C.15029	R.H. Side Member Assembly		1	
C.15030	L.H. Side Member Assembly		1	
C.19326	Hinge, for Bonnet		2	
BD.19739	Door Shell Assembly, R.H.		1	
BD.19740	Door Shell Assembly, L.H.		1	
BD.15495	Hinge Assembly, for R.H. Door		1	
BD.15496	Hinge Assembly, for L.H. Door		1	
BD.20957	Scuttle Top Panel Assembly		1	
BD.23913	R.H. Windscreen Pillar Assembly		1	
BD.23914	L.H. Windscreen Pillar Assembly		1	
BD.15217	Filler Panel, between R.H. Screen Pillar and Scuttle Top Panel		1	
BD.15218	Filler Panel, between L.H. Screen Pillar and Scuttle Top Panel		1	
BD.15467	Closing Panel, under R.H. Screen Pillar		1	
BD.15468	Closing Panel, under L.H. Screen Pillar		1	
BD.17069	Corner Panel, Dash to Scuttle Top, R.H.		1	
BD.17070	Corner Panel, Dash to Scuttle Top, L.H.		1	
BD.15180	Exterior Panel Assembly, R.H. Dash Side		1	
BD.15181	Exterior Panel Assembly, L.H. Dash Side		1	
BD.15133	R.H. Sill Outer Panel		1	
BD.15134	L.H. Sill Outer Panel		1	
BD.15184	End Plate, at front of R.H. Sill		1	
BD.15187	Bracket Assembly, at front of R.H. Sill, mounting Air Cleaner		1	
BD.15185	End Plate Assembly, at front of L.H. Sill		1	
BD.15186	Bracket Assembly, at front of L.H. Sill, mounting Battery Tray		1	
BD.19586	Bracket Assembly, for Jack Location		2	
BD.19338	Panel Assembly, Lower Rear		1	
BD.23180	Roof Panel and Rear Wings Assembly		1	
BD.19635	Drain Tube, for Boot Lid Aperture		1	
BD.19532	Fixing Bracket, outer, for R.H. Stop/Tail Lamp		1	
BD.19533	Fixing Bracket, outer, for L.H. Stop/Tail Lamp		1	
BD.19534	Fixing Bracket, inner, for R.H. Stop/Tail Lamp		1	
BD.19535	Fixing Bracket, inner, for L.H. Stop/Tail Lamp		1	
BD.20203	Reinforcement Channel, at top of R.H. Windscreen Pillar		1	
BD.20202	Reinforcement Channel, at top of L.H. Windscreen Pillar		1	
BD.21448	Drip Bead Extension, on R.H. Windscreen Pillar		1	
BD.21449	Drip Bead Extension, on L.H. Windscreen Pillar		1	
BD.19544	Boot Lid Shell Assembly		1	
BD.19626	Support Panel Assembly, at R.H. Side of Boot Lid Aperture		1	
BD.19627	Support Panel Assembly, at L.H. Side of Boot Lid Aperture		1	
BD.20261	Hinge Assembly, for Boot Lid		2	
BD.22242	Lid Assembly, for Petrol Filler Box		1	
BD.19552	Hinge Assembly, for Petrol Filler Lid		1	

BODY SHELL FOR FIXED HEAD COUPE ONLY

FITTED FROM CHASSIS No. 860581 AND SUBS., 886093 AND SUBS.

Part No.	Description	Plate No.	No. per Unit	Remarks
3D.22941	BODY SHELL ASSEMBLY, COMPLETE		1	
3D.22936	Underframe Assembly		1	

All other items are as for Body Shell Assembly BD.20748.

BODY UNDERFRAME AND PANELS

FOR FIXED HEAD COUPE ONLY

Part No.	Description	Plate No.	No. per Unit	Remarks
BD.19334	BODY UNDERFRAME ASSEMBLY		1	Fitted from Chassis No. 860001 to 860580. 885001 to 886092.
BD.15171	Floor Assembly		1	Fitted from Chassis No. 860001 to 860175. 885001 to 885503.
BD.23141	Floor Assembly (Complete with Heel Wells)		1	Fitted from Chassis No. 860176 to 860580. 885504 to 886092.
BD.19337	Rear End Assembly		1	
BD.22936	BODY UNDERFRAME ASSEMBLY		1	} Fitted to Chassis No. 860581 and subs. 886093 and subs.
BD.22819	Floor Assembly	44- 1	1	
BD.23100	Rear End Assembly		1	
BD.15171	FLOOR ASSEMBLY		1	} Fitted from Chassis No. 860001 to 860175. 885001 to 885503.
BD.19238	Bracket Assembly, for Exhaust Silencer Mounting		4	
BD.23141	FLOOR ASSEMBLY (COMPLETE WITH HEEL WELLS)		1	} Fitted from Chassis No. 860176 to 860580. 885504 to 886092.
BD.15131/2	Heel Well, only		2	
BD.19238	Bracket Assembly, for Exhaust Silencer Mounting		4	
BD.22819	FLOOR ASSEMBLY (COMPLETE WITH HEEL WELLS)	44- 1	1	} Fitted to Chassis No. 860581 and subs. 886093 and subs.
BD.15131/2	Heel Well, only		2	
BD.19238	Bracket Assembly, for Exhaust Silencer Mounting		4	
BD.15588/1	Plastic Plug, in Floor ($\frac{3}{8}$" dia.)		26	R.H. DRIVE CARS ONLY.
BD.15588/2	Plastic Plug, in Floor ($\frac{1}{2}$" dia.)		2	
BD.15588/4	Plastic Plug, in Floor ($\frac{3}{8}$" dia.)		2	
BD.15588/5	Plastic Plug, in Floor ($\frac{1}{8}$" dia.)		10	
BD.19902	Plastic Plug, in Floor		1	
BD.22756	Plastic Plug, in Floor (Safety Harness)		4	
BD.19337	REAR END ASSEMBLY		1	} Fitted from Chassis No. 860001 to 860580. 885001 to 886092.
BD.16650	Tunnel Assembly	44- 2	1	
BD.19322	Shut Pillar Assembly, R.H.	44- 3	1	
BD.19323	Shut Pillar Assembly, L.H.	44- 4	1	
BD.19322/3	Support Panel, for R.H. Inner Quarter	44- 5	1	
BD.19323/3	Support Panel, for L.H. Inner Quarter	44- 6	1	
BD.20544	Wheel Arch Panel Assembly, R.H. Inner forward	44- 7	1	
BD.20545	Wheel Arch Panel Assembly, L.H. Inner forward	44- 8	1	
BD.19628	Wheel Arch Panel Assembly, R.H. Outer forward	44- 9	1	
BD.19629	Wheel Arch Panel Assembly, L.H. Outer forward	44-10	1	
BD.19545	Wheel Arch Panel Assembly, R.H. rear	44-11	1	
BD.19546	Wheel Arch Panel Assembly, L.H. rear	44-12	1	
BD.15985	Floor Panel, rear	44-13	1	
BD.20162	Cross Member Assembly, for Rear Floor	44-14	1	
BD.17445	Stiffening Bracket, at sides of Rear Floor Cross Member	44-15	2	
BD.19077	Bracket Assembly, R.H., for mounting of Rear Suspension Cross Member		1	
BD.19078	Bracket Assembly, L.H., for mounting of Rear Suspension Cross Member		1	
BD.17442	Top Panel Assembly, above Rear Floor	44-16	1	
BD.15228	Panel Assembly, for front of Petrol Tank and Spare Wheel Compartment	44-17	1	
BD.15238	Reinforcement Angle, between Tank Compartment Panel and Top Panel		1	

BODY UNDERFRAME AND PANELS

FOR FIXED HEAD COUPE ONLY

Part No.	Description	Plate No.	No. per Unit	Remarks
BD.23100	REAR END ASSEMBLY		1	} Fitted to Chassis No. 860581 and subs. 886093 and subs.
BD.22809	Floor Panel Assembly		1	
BD.22816	Stiffening Bracket , at R.H. side of Rear Cross Member		1	
BD.22817	Stiffening Bracket , at L.H. side of Rear Cross Member		1	
	All other items are as for Rear End Assembly BD.19337.			
BD.19132	Bracket Assembly , for mounting of Rear Suspension Bump Stop Rubbers		2	
BD.15137	Panel Assembly , at R.H. side of Gearbox	44-18	1	
BD.15138	Panel Assembly , at L.H. side of Gearbox	44-19	1	
BD.15198	Reinforcement Panel , for R.H. Shut Pillar	44-20	1	
BD.15199	Reinforcement Panel , for L.H. Shut Pillar	44-21	1	
BD.19897	Closing Panel Assembly , for R.H. Shut Pillar	44-22	1	
BD.19898	Closing Panel Assembly , for L.H. Shut Pillar	44-23	1	
BD.17456	Support Panel , for Shut Pillars		2	
BD.18368	Reinforcement Panel , lower rear, for Propeller Shaft Tunnel		1	
BD.15982	Reinforcement Panel , at rear of R.H. Sill	44-24	1	
BD.15983	Reinforcement Panel , at rear of L.H. Sill	44-25	1	
BD.16488	Reinforcement Panel , at front of Sills	44-26	2	
BD.15202	Closing Panel , for front of R.H. Sill	44-27	1	
BD.15203	Closing Panel , for front of L.H. Sill	44-28	1	
BD.14918	Reinforcement Panel , for R.H. Dash side		1	
BD.14919	Reinforcement Panel , for L.H. Dash side	44-29	1	
BD.16942	Closing Panel Assembly , R.H. lower Dash front		1	
BD.16943	Closing Panel , L.H. lower Dash, front		1	
BD.15180	EXTERIOR PANEL ASSEMBLY, R.H. DASH SIDE	44-30	1	
BD.15181	EXTERIOR PANEL ASSEMBLY, L.H. DASH SIDE	44-31	1	
BD.15133	R.H. SILL OUTER PANEL	44-32	1	
BD.15184	End Plate , at front of R.H. Sill		1	
BD.15187	Bracket Assembly , at side of R.H. Sill for Mounting Air Cleaner		1	
BD.15134	L.H. SILL OUTER PANEL	44-33	1	
BD.15185	End Plate Assembly , at front of L.H. Sill		1	
BD.15186	Bracket Assembly , at side of L.H. Sill for Mounting Battery Tray		1	
BD.19586	BRACKET, UNDER SILLS, FOR JACK LOCATION		2	
BD.19739	DOOR SHELL ASSEMBLY, R.H.	44-34	1	
BD.19741	Outer Panel Assembly , for R.H. Door		1	
BD.15453	Inner Panel Assembly , for R.H. Door		1	
BD.21030	Drain Tray , at top of R.H. Door		1	
BD.11712/1	Pop Rivet , securing Drain Tray		2	
BD.20878	Shroud , for Drain Holes at bottom of Door		2	
BD.1814/1	Pop Rivet , securing Shrouds		6	
BD.21180	Drain Tube Rubber , for Tray		1	
BD.20978	Shroud , for Drain Holes, at front of Door		1	
BD.20979	Shroud , for Drain Holes, at rear of Door		1	
BD.1814/2	Pop Rivet , securing Shrouds at front and rear of Doors		7	

BODY UNDERFRAME AND PANELS

FOR FIXED HEAD COUPE ONLY

Part No.	Description	Plate No.	No. per Unit	Remarks
BD.19740	DOOR SHELL ASSEMBLY, L.H.	44-35	1	
BD.19742	Outer Panel Assembly, for L.H. Door		1	
BD.15454	Inner Panel Assembly, for L.H. Door		1	
BD.21031	Drain Tray, at top of L.H. Door		1	
All other items are as for Door Shell Assembly BD.19739.				
BD.15495	HINGE ASSEMBLY, FOR R.H. DOOR	44-36	1	
BD.15496	HINGE ASSEMBLY, FOR L.H. DOOR	44-37	1	
C.16168	Grease Nipple, on Door Hinges (Tec.YH.109)		2	
BD.22662	CHECK ARM ASSEMBLY FOR DOORS	44-38	2	
BD.22661	Brass Cam, for Check Arms		2	
UCS.519/4H	Screw, Set, Csk. Hd., securing Cam to Check Arms		4	Self-Tapping Screw BD.17503/1 may be required for some cars.
UFS.425/5H	Screw, Set, securing Check Arm to Door Hinges		4	
C.724	Washer, Shakeproof, on Setscrews		4	
BD.17034/5	Screw, Set, securing Hinge to Doors		8	
BD.711/20	Screw, Self-Tapping, securing Hinge to Doors		4	
BD.13565/3	Screw, Set, securing Hinges to Body		8	
FG.105/X	Washer, Spring, on Setscrews		8	
BD.20310	REAR WING ASSEMBLY, R.H.	44-39	1	} Fitted from Chassis No. 860001 to 860478. 875001 to 886013.
BD.20311	REAR WING ASSEMBLY, L.H.	44-40	1	
BD.24830	REAR WING ASSEMBLY, R.H.		1	} Fitted to Chassis No. 860479 and subs. 886014 and subs.
BD.24831	REAR WING ASSEMBLY, L.H.		1	
BD.19340/4	TAIL PANEL, BELOW BOOT LID	44-41	1	Fitted from Chassis No. 860001 to 860478. 875001 to 886013.
BD.19878/1	GUTTER AT R.H. SIDE OF BOOT LID APERTURE	44-42	1	} Fitted from Chassis No. 860001 to 860478. 875001 to 886013.
BD.19878/2	GUTTER AT L.H. SIDE OF BOOT LID APERTURE	44-43	1	
BD.19878/3	GUTTER AT TOP OF BOOT LID APERTURE	44-44	1	
BD.19878/4	GUTTER AT BOTTOM OF BOOT LID APERTURE	44-45	1	

BODY UNDERFRAME AND PANELS

FOR FIXED HEAD COUPE ONLY

Part No.	Description	Plate No.	No. per Unit	Remarks
BD.21386	PETROL FILLER BOX ASSEMBLY IN L.H. WING		1	Fitted from Chassis No. 860001 to 860478. 875001 to 886013.
BD.19339	PETROL FILLER BOX ASSEMBLY IN L.H. WING	44-46	1	Fitted to Chassis No. 860479 and subs. 886014 and subs.
BD.19340/1	ROOF PANEL ASSEMBLY		1	Fitted from Chassis No. 860001 to 860478. 875001 to 886013.
BD.19619	Windscreen Header Panel Assembly		1	
BD.19672	Reinforcement Rail Assembly, at rear of Roof		1	
BD.19617	R.H. Cantrail Panel Assembly		1	
BD.19618	L.H. Cantrail Panel Assembly		1	
BD.19540/1	ROOF PANEL ASSEMBLY	44-47	1	Fitted to Chassis No. 860479 and subs. 886014 and subs.
BD.20106	Windscreen Header Panel Assembly		1	
BD.20119	Reinforcement Rail Assembly, at rear of Roof		1	
BD.20115	R.H. Cantrail Panel Assembly		1	
BD.20116	L.H. Cantrail Panel Assembly		1	
BD.19619	WINDSCREEN HEADER PANEL ASSEMBLY		1	Fitted from Chassis No. 860001 to 860478. 885001 to 886013.
BD.19762	Reinforcement Rail Assembly, for Roof		1	
BD.20106	WINDSCREEN HEADER PANEL	44-48	1	Fitted to Chassis No. 860479 and subs. 886014 and subs.
BD.20119	Reinforcement Rail Assembly, for Roof	44-49	1	
BD.19617	R.H. CANTRAIL PANEL ASSEMBLY		1	Fitted from Chassis No. 860001 to 860478. 885001 to 886013.
BD.19618	L.H. CANTRAIL PANEL ASSEMBLY		1	
BD.20115	R.H. CANTRAIL PANEL ASSEMBLY	44-50	1	Fitted to Chassis No. 860479 and subs. 886014 and subs.
BD.20116	L.H. CANTRAIL PANEL ASSEMBLY	44-51	1	
BD.21354	DRIP BEAD EXTENSION ON R.H. CANTRAIL PANEL		1	Fitted from Chassis No. 860001 to 860478. 885001 to 886013.
BD.21355	DRIP BEAD EXTENSION ON L.H. CANTRAIL PANEL		1	

BODY UNDERFRAME AND PANELS

FOR FIXED HEAD COUPE ONLY

Part No.	Description	Plate No.	No. per Unit	Remarks
BD.21448	DRIP BEAD EXTENSION ON R.H. CANTRAIL PANEL	44-52	1	} Fitted to Chassis No. 860479 and subs. 886014 and subs.
BD.21449	DRIP BEAD EXTENSION ON L.H. CANTRAIL PANEL	44-53	1	
BD.20809	SUPPORT PANEL ASSEMBLY, AT R.H. SIDE OF BOOT LID APERTURE		1	} Fitted from Chassis No. 860001 to 860478. 885001 to 886013.
BD.20810	SUPPORT PANEL ASSEMBLY, AT L.H. SIDE OF BOOT LID APERTURE		1	
BD.19626	SUPPORT PANEL ASSEMBLY, AT R.H. SIDE OF BOOT LID APERTURE	44-54	1	} Fitted to Chassis No. 860479 and subs. 886014 and subs.
BD.19627	SUPPORT PANEL ASSEMBLY, AT L.H. SIDE OF BOOT LID APERTURE	44-55	1	
BD.19550	BOOT LID SHELL ASSEMBLY		1	Fitted from Chassis No. 860001 to 860478. 885001 to 886013.
BD.19544	BOOT LID SHELL ASSEMBLY	44-56	1	Fitted to Chassis No. 860479 and subs. 886014 and subs.
BD.20306	HINGE ASSEMBLY, UPPER, FOR BOOT LID		1	} Fitted from Chassis No. 860001 to 860478. 885001 to 886013.
BD.20307	HINGE ASSEMBLY, LOWER, FOR BOOT LID		1	
UFS.125/4R	Screw, Set, securing Hinges to Boot Lid		4	
C.724	Washer, Shakeproof, on Setscrews		4	
BD.541/20	Special Washer, under Shakeproof Washers		4	
UFS.425/3H	Screw, Set, securing Hinges to Body		8	
C.724	Washer, Shakeproof, on Setscrews		8	
BD.20261	HINGE ASSEMBLY, FOR BOOT LID	44-57	2	} Fitted to Chassis No. 860479 and subs. 886014 and subs.
BD.17034/3	Screw, Set, securing Hinges to Boot Lid		4	
BD.2906/6	Washer, Shakeproof, Csk., on Setscrews		4	
BD.23163	Shim, between Hinges and Boot Lid	44-58	As req'd	
UFS.125/SR	Screw, Set, securing Hinges to Body		8	
C.724	Washer, Shakeproof, on Setscrews		8	
BD.23164	Shim, between Hinges and Body	44-59	As req'd	
BD.19355	LID ASSEMBLY, FOR PETROL FILLER BOX		1	Fitted from Chassis No. 860001 to 860478. 885001 to 886013.

BODY UNDERFRAME AND PANELS

FOR FIXED HEAD COUPE ONLY

Part No.	Description	Plate No.	No. per Unit	Remarks
BD.22242	LID ASSEMBLY, FOR PETROL FILLER BOX	44-60	1	Fitted to Chassis No. 860479 and subs. 886014 and subs.
BD.19552	HINGE ASSEMBLY FOR PETROL FILLER LID	44-61	1	
BD.8291/1 C.724 FW.104/T	Screw , Set, securing Hinge to Lid, and to Body Washer , Shakeproof, on Setscrews Washer , Plain, under Shakeproof Washers		4 4 4	
BD.15930	SPRING, BETWEEN LID AND HINGE	44-62	1	
BD.19338	PANEL ASSEMBLY, LOWER REAR	44-63	1	
BD.18837 BD.18838	Lower Panel , R.H. Outer Lower Panel , L.H. Outer		1 1	
BD.19532 BD.19533 BD.19534 BD.19535	Fixing Bracket , outer, for R.H. Stop/Tail Lamp Fixing Bracket , outer, for L.H. Stop/Tail Lamp Fixing Bracket , inner, for R.H. Stop/Tail Lamp Fixing Bracket , inner, for L.H. Stop/Tail Lamp		1 1 1 1	
BD.19970	PANEL ASSEMBLY FOR REAR NUMBER PLATE		1	
BD.16550	BONNET AND FRONT WINGS ASSEMBLY		1	
BD.15174 BD.15175 BD.16557 BD.16839/3	Centre Panel Assembly , for Bonnet Front Under Panel Assembly Air Duct Lower Panel Assembly Screw , Self-Tapping, securing Air Duct Panel to Valances	45- 1 45- 2 45- 3	1 1 1 6	
UCS.125/5R	Screw , Set, securing Front Under Panel to Valances, Centre Panel and Wings		14	
UCN.125/L FG.104/X	Nut , on Setscrews Washer , Spring, under Nuts and on Self-Tapping Screws		14 20	
BD.542/3	Washer , Special, on Setscrews and Self-Tapping Screws		34	
BD.15176 BD.15177 UCS.125/5R UCN.125/L FG.104/X BD.542/3	Front Wing Assembly , R.H. Front Wing Assembly , L.H. Screw , Set, securing Wings to Centre Panel Nut , on Setscrews Washer , Spring, under Nuts Washer , Special, on Setscrews	45- 4 45- 5	1 1 18 18 18 36	Fitted from Chassis No. 860001 to 860004. 885001 to 885020.
BD.19021 BD.19022 BD.16839/2	R.H. Valance and Air Duct Assembly L.H. Valance and Air Duct Assembly Screw , Self-Tapping, securing Valance and Duct Assemblies to Centre Panel and Front Under Panel	45- 6 45- 7	1 1 23	
FG.104/X BD.542/3 BD.16422	Washer , Spring, on Self-Tapping Screws Washer , Special, under Spring Washers R.H. Front Diaphragm Assembly , mounting Headlamp		23 23 1	
BD.16423	L.H. Front Diaphragm Assembly , mounting Headlamp	45- 9	1	
UCS.125/5R UCN.125/L BD.16839/2	Screw , Set, securing Diaphragms to Wings Nut , on Setscrews Screw , Self-Tapping, securing Diaphragms to Valances, Wings and Front Under Panel		8 8 26	

BODY UNDERFRAME AND PANELS

FOR FIXED HEAD COUPE ONLY

Part No.	Description	Plate No.	No. per Unit	Remarks
BONNET AND FRONT WINGS ASSEMBLY (continued)				
FG.104/X	Washer, Spring, on Setscrews, and Self-Tapping Screws		34	} Fitted from Chassis No. 860001 to 860004. 885001 to 885020.
BD.542/3	Washer, Special, on Setscrews and Self-Tapping Screws		42	
BD.22749	Sealing Panel, for R.H. Headlamp Diaphragm		1	
BD.22750	Sealing Panel, for L.H. Headlamp Diaphragm		1	
BD.22749/1	Felt, on Sealing Panel		4	
BD.1328/2	Rivet, securing Felt to Panel		8	
UFS.419/3H	Screw, Set, securing Sealing Panel		2	
UFN.119/L	Nut, on Setscrews		2	
C.723/A	Washer, Shakeproof, on Setscrews		2	
AW.102/T	Washer, Plain, under Shakeproof Washers		2	
BD.16381	R.H. Diaphragm Assembly, at rear of Bonnet	45-10	1	
BD.16382	L.H. Diaphragm Assembly, at rear of Bonnet	45-11	1	
UCS.125/5R	Screw, Set, securing Rear Diaphragms to Wings, Valances, and Centre Panel		18	
UCN.125/L	Nut, on Setscrews		18	
BD.16839/2	Screw, Self-Tapping, securing Rear Diaphragms to Centre Panel		7	
FG.104/X	Washer, Spring, on Setscrews and Self-Tapping Screws		25	
BD.542/3	Washer, Special, on Setscrews and Self-Tapping Screws		43	
BD.18767	Reinforcing Angle, between Wings and Centre Panel at rear		2	
UFS.125/4R	Screw, Set, securing Reinforcing Angles		8	
FG.104/X	Washer, Spring, on Setscrews		8	
FW.104/T	Washer, Plain, under Spring Washers		8	
BD.19929	BONNET AND FRONT WINGS ASSEMBLY		1	} Fitted to Chassis No. 860005 and subs. 885021 and subs.
BD.19930	Front Wing Assembly, R.H.		1	
BD.19931	Front Wing Assembly, L.H.		1	
	All other items are as for Bonnet and Front Wing Assembly BD.16550.			
C.16803	BONNET HINGE	45-12	2	} Fitted from Chassis No. 860001 to 860138. 885001 to 885384.
C.16804	Nylon Bush, in Hinges	45-13	4	
C.8667/5	Nut, Self-Locking, retaining Hinges on Sub-Frame Cross Bar		2	
C.8676	Washer, Plain, under Nuts		2	
C.19326	BONNET HINGE		2	} Fitted to Chassis No. 860139 and subs. 885385 and subs.
C.16804	Nylon Bush, in Bonnet Hinges		4	
C.19330	Bearing (Steel) for Bonnet Hinges		2	
UFB.137/18R	Bolt, retaining Bonnet Hinges to Front Sub-Frame		2	
FG.106/X	Washer, Spring, on Bolts		2	
BD.13565/6	Screw, Set, securing Hinges to Bonnet		4	
BD.13565/8	Screw, Set, securing Hinges to Bonnet		4	
C.725	Washer, Shakeproof, on Setscrews		8	
C.985	Washer, Plain, under Shakeproof Washers		8	
BD.18951	Shim (.064" thick) for Bonnet Hinges		As req'd	
BD.18951/1	Shim (.036" thick) for Bonnet Hinges		As req'd	
BD.20950/1	Special Shim (Slotted) (.036" thick) for Bonnet Hinges		As req'd	
BD.20950/2	Special Shim (Slotted) (.128" thick) for Bonnet Hinges		As req'd	

BODY UNDERFRAME AND PANELS

FOR FIXED HEAD COUPE ONLY

Part No.	Description	Plate No.	No. per Unit	Remarks
BD.20957	SCUTTLE TOP PANEL ASSEMBLY	45-14	1	
BD.19341	R.H. WINDSCREEN PILLAR ASSEMBLY	45-15	1	} Fitted from Chassis No. 860001 to 860478. 885001 to 886013.
BD.19342	L.H. WINDSCREEN PILLAR ASSEMBLY	45-16	1	
BD.19869	Reinforcement Channel , at top of R.H. Pillar	45-15A	1	
BD.19870	Reinforcement Channel , at top of L.H. Pillar	45-16A	1	
BD.15217	Filler Panel , between R.H. Windscreen Pillar and Scuttle Top Panel	45-17	1	
BD.15218	Filler Panel , between L.H. Windscreen Pillar and Scuttle Top Panel	45-18	1	
BD.23913	R.H. WINDSCREEN PILLAR ASSEMBLY		1	} Fitted to Chassis No. 860479 and subs. 886014 and subs.
BD.23914	L.H. WINDSCREEN PILLAR ASSEMBLY		1	
BD.20203	Reinforcement Channel , at top of R.H. Pillar		1	
BD.20202	Reinforcement Channel , at top of L.H. Pillar		1	
BD.15217	Filler Panel , between R.H. Windscreen Pillar and Scuttle Top Panel		1	
BD.15218	Filler Panel , between L.H. Windscreen Pillar and Scuttle Top Panel		1	
BD.17069	CORNER PANEL, DASH TO SCUTTLE TOP, R.H.	45-19	1	
BD.17070	CORNER PANEL, DASH TO SCUTTLE TOP, L.H.	45-20	1	
BD.15467	CLOSING PANEL, UNDER R.H. WINDSCREEN PILLAR	45-21	1	
BD.15468	CLOSING PANEL, UNDER L.H. WINDSCREEN PILLAR	45-22	1	
BD.18710	FRAME ASSEMBLY MOUNTING STONEGUARD	45-23	1	

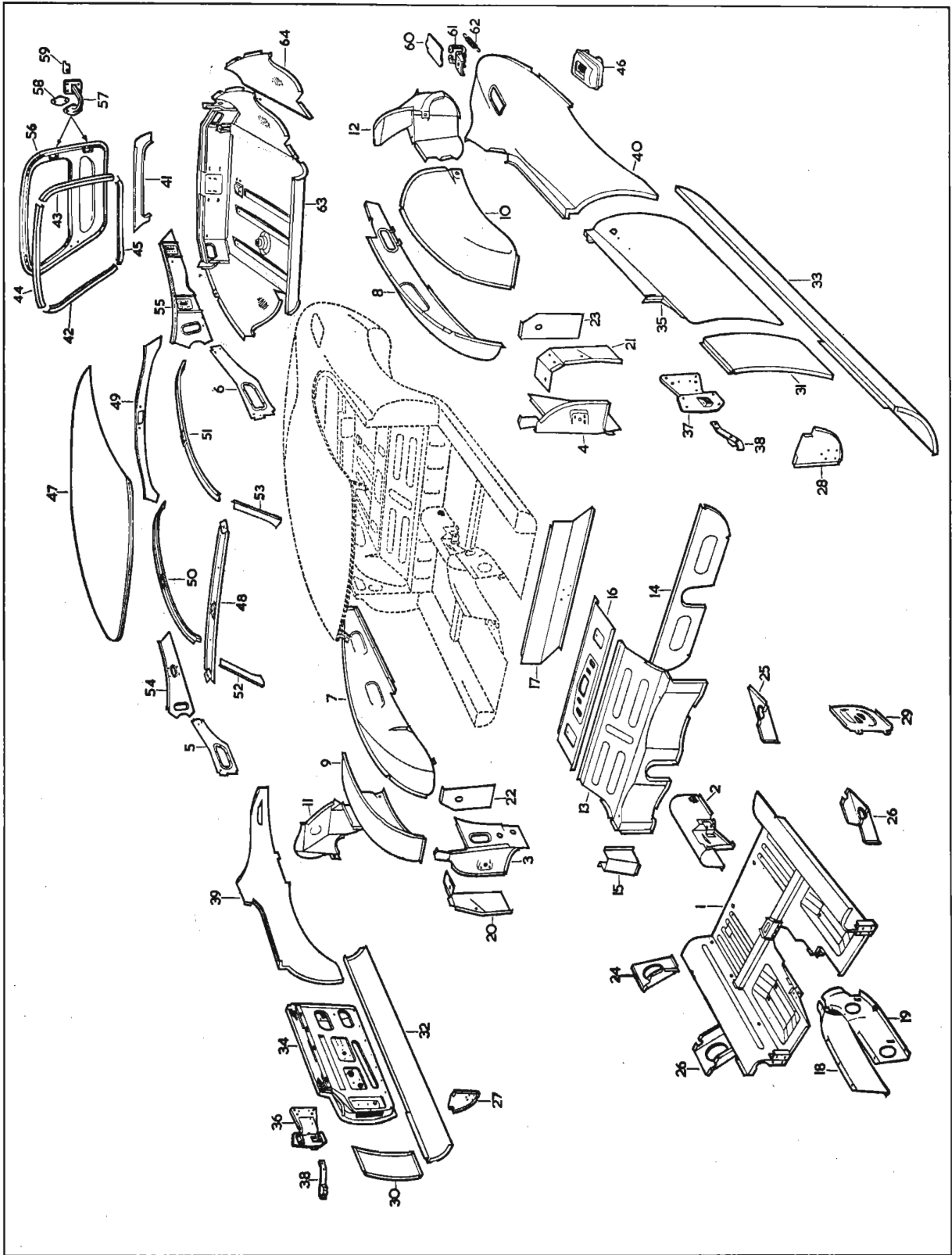


PLATE 44

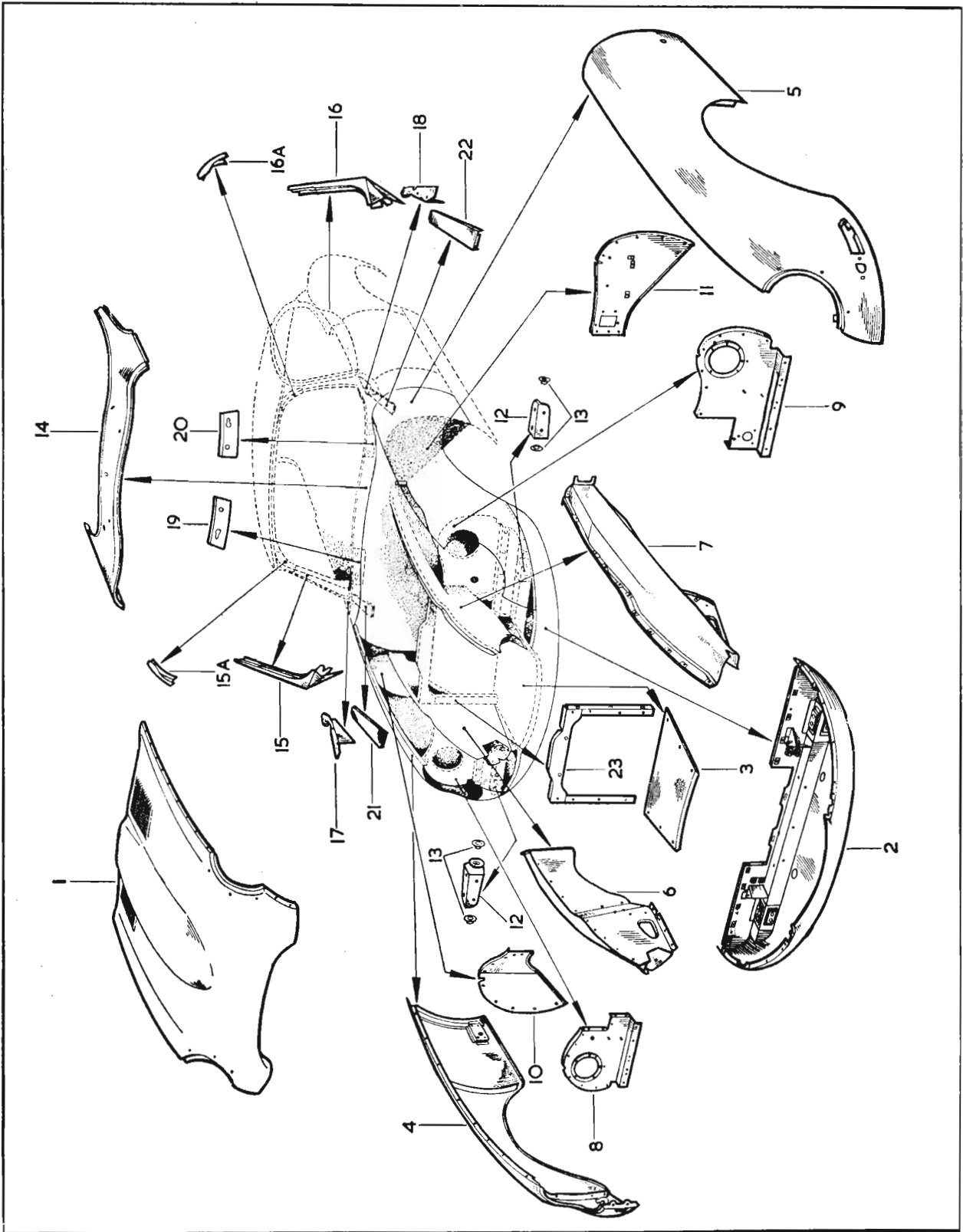


PLATE 45

BODY FITTINGS

FOR FIXED HEAD COUPE ONLY

Part No.	Description	Plate No.	No. per Unit	Remarks
BD.19145	R.H. FRONT BUMPER ASSEMBLY		1	
BD.19146	L.H. FRONT BUMPER ASSEMBLY		1	
BD.15533	Bar Assembly only , for R.H. Front Bumper	46- 1	1	
BD.15532	Bar Assembly only , for L.H. Front Bumper	46- 2	1	
BD.19111	Over Rider Assembly , on R.H. Front Bumper	46- 3	1	
BD.19112	Over Rider Assembly , on L.H. Front Bumper	46- 4	1	
BD.19149	Beading , between Over Rider and Front Bumpers	46- 5	4	
UFN.137/L	Nut , securing Over Rider to Front Bumpers		2	
FG.106/X	Washer , Spring, under Nuts		2	
FW.106/T	Washer , Plain, under Spring Washers		2	
BD.19113	Extension Assembly , for fixing of Motif Bar	46- 6	2	
UFS.125/6R	Screw , Set, securing Extension Bracket to Over Riders		4	
C.724	Washer , Shakeproof, on Setscrews		4	
FW.104/T	Washer , Plain, under Shakeproof Washers		4	
BD.19119	Distance Piece , on Setscrews		4	
UFS.137/10R	Screw , Set, securing Front Bumpers to Bonnet		4	
FG.106/X	Washer , Spring, on Setscrews		4	
C.410	Washer , Plain, under Spring Washers		4	
BD.20893	Spacer , on Setscrews at side fixings		2	
BD.20663	Spacer , on Setscrews at front fixings		2	
BD.18947/2	Rubber Seal , between Front Bumpers and Bonnet	46- 7	2	
BD.10313	Clip , securing Seal	46- 8	2	
BD.17700	MOTIF BAR IN AIR INTAKE APERTURE	46- 9	1	
C.16336	MOTIF	46-10	1	
BD.19033	Backing Piece , behind Motif	46-11	1	
BD.19034	Spring Clip , retaining Motif	46-12	1	
BD.11501	Screw , Self-Tapping, securing Spring Clip	46-13	2	
UFS.125/5R	Screw , Set, securing Motif Bar		2	
FG.104/X	Washer , Spring, on Setscrews		2	
BD.19147	R.H. REAR BUMPER ASSEMBLY		1	
BD.19148	L.H. REAR BUMPER ASSEMBLY		1	
BD.15887	Bar Assembly only , for R.H. Rear Bumper	46-14	1	
BD.15888	Bar Assembly only , for L.H. Rear Bumper	46-15	1	
BD.19135	Over Rider Assembly , on R.H. Rear Bumper	46-16	1	
BD.19136	Over Rider Assembly , on L.H. Rear Bumper	46-17	1	
UFN.137/L	Nut , securing Over Rider to Rear Bumpers		2	
FG.106/X	Washer , Spring, under Nuts		2	
FW.106/T	Washer , Plain, under Spring Washers		2	
BD.19149	Beading , between Over Rider and Rear Bumpers	46-18	2	
UFS.131/6R	Screw , Set, securing Rear Bumpers to Body		2	
FG.105/X	Washer , Spring, on Setscrews		2	
FW.105/T	Washer , Plain, under Spring Washers		2	
UFS.137/10R	Screw , Set, securing Rear Bumpers to Body		2	
UFN.137/L	Nut , securing Rear Bumpers to Body		2	
FG.106/X	Washer , Spring, on Setscrews and under Nuts		4	
FW.106/T	Washer , Plain, under Spring Washers		4	
BD.20893	Nylon Spacer , at Rear Bumper mountings		4	
BD.18947/1	Rubber Seal , between Rear Bumpers and Body	46-19	2	

BODY FITTINGS FOR FIXED HEAD COUPE ONLY

Part No.	Description	Plate No.	No. per Unit	Remarks
BD.16789	CHROME FINISHER ASSEMBLY, AROUND R.H. HEADLAMP APERTURE	46-20	1	
BD.16790	CHROME FINISHER ASSEMBLY, AROUND L.H. HEADLAMP APERTURE	46-21	1	
BD.16786	GLASS IN R.H. HEADLAMP APERTURE	46-22	1	
BD.16787	GLASS IN L.H. HEADLAMP APERTURE	46-23	1	
BD.16788	RUBBER SEAL AROUND HEADLAMP GLASSES	46-24	2	
BD.19013/2	Screw, Self-Tapping, securing Headlamp Finishers and Glasses to Bonnet		12	} FOR USE ONLY WITH SPIRE NUT FIXING.
BD.8633/2	Spire Nut, on Self-Tapping Screws		12	
BD.22780/4	Screw, Set, securing Finishers and Headlamp Glasses to Bonnet		12	FOR USE ONLY WITH TAPPED PLATE FIXING.
BD.17651	FINISHING PANEL ASSEMBLY IN R.H. HEADLAMP RECESS	46-25	1	
BD.17652	FINISHING PANEL ASSEMBLY IN L.H. HEADLAMP RECESS	46-26	1	
BD.20543/1	Rubber Seal, for forward edge of Panels	46-27	2	
UFS.119/6R	Screw, Set, securing Panels to Headlamp Diaphragms		2	
UFS.119/8R	Screw, Set, securing Panels to Headlamp Diaphragms		4	
AG.102/X	Washer, Spring, on Setscrews		6	
AW.102/T	Washer, Plain, under Spring Washers		6	
UFN.119/L	Nut, on Setscrews		6	
C.1094	Distance Piece, for Panels		As req'd	
BD.19029/2	CHROME BEADING FORWARD OF HEADLAMP APERTURES	46-28	2	
BD.19029/1	CHROME BEADING, AT REAR OF HEADLAMP APERTURES	46-29	2	
BD.19030	Brass Clip, securing Chrome Beads	46-30	22	

BODY FITTINGS

FOR FIXED HEAD COUPE ONLY

Part No.	Description	Plate No.	No. per Unit	Remarks
BD.20989	RUBBER PLUG SEALING APERTURE IN BONNET FRONT UNDER PANEL		1	NOT REQUIRED WHEN FRONT NUMBER PLATE CARRIER IS FITTED.
BD.20934	PIVOTED CARRIER BRACKET ASSEMBLY FOR FRONT NUMBER PLATE		1	} TO BE FITTED ONLY AS REQUIRED.
UFN.125/L	Nut , securing Carrier Bracket to Bonnet Front Under Panel		2	
C.724	Washer , Shakeproof, under Nuts		2	
BD.20939	Packing Block (Aluminium) at Carrier Bracket fixings		2	
BD.20936	CONTROL ROD, OPERATING CARRIER BRACKET PIVOT WHEN BONNET IS MOVED		1	} TO BE FITTED ONLY AS REQUIRED.
C.13806	Clip , securing Control Rod to Carrier Bracket		1	
C.4548	GROMMET, IN BONNET FRONT UNDER PANEL, FOR CONTROL ROD		1	} TO BE FITTED ONLY AS REQUIRED.
BD.20937	FORK END FOR CONNECTION OF CONTROL ROD TO BRACKET ON FRONT SUB-FRAME		1	
UFN.125/L	Nut , locking Fork End to Control Rod		1	
J.103/105	Clevis Pin , securing Fork End to Bracket on Front Sub-Frame		1	
L.102/4U	Split Pin , retaining Clevis Pin		1	
AW.102/T	Washer , Plain, behind Split Pin		1	
BD.20093	STONE GUARD ASSEMBLY AT REAR OF BONNET AIR INTAKE APERTURE	46-31	1	
BD.20150/3	Screw , Set, securing Stone Guard to Bonnet		8	
C.723/A	Washer , Shakeproof, on Setscrews		8	
BD.541/34	Special Washer , under Shakeproof Washers, at side fixings		6	
AW.102/T	Washer , Plain, under Shakeproof Washers at top fixings		2	
BD.20579	Bracket , for lower fixing of Stone Guard		2	
UFS.125/4R	Screw , Set, securing Brackets and Stone Guard		4	
UFN.125/L	Nut , on Setscrews		4	
C.724	Washer , Shakeproof, under Nuts		4	
FW.104/T	Washer , Plain, under Shakeproof Washers		4	

BODY FITTINGS

FOR FIXED HEAD COUPE ONLY

Part No.	Description	Plate No.	No. per Unit	Remarks
BD.18710	FRAME ASSEMBLY FOR FIXING OF STONE GUARD	46-32	1	
BD.19031	Felt Strip, at top of Frame ($\frac{1}{4}$ " \times $\frac{3}{8}$ " \times 23")		1	
BD.16839/2 BD.542/3	Screw, Self-Tapping, securing Frame to Bonnet Special Washer, on Self-Tapping Screws		6 6	
BD.20014	BONNET BALANCE LINK ASSEMBLY, R.H.	46-33	1	
BD.20015	BONNET BALANCE LINK ASSEMBLY, L.H.	46-34	1	
BD.19972	Spring, on Bonnet Balance Links		4	
BD.20013/4	Brass Washer, at each side of spring "eyes"		16	
L.102/6U	Split Pin, retaining Springs		8	
BD.8291/2	Screw, Set, securing Balance Links to Bonnet		8	
C.724	Washer, Shakeproof, on Setscrews		8	
BD.541/20	Special Washer, under Shakeproof Washers		8	
BD.19736	Bolt (Shouldered) securing Balance Links to Front Frame		2	
BD.20013/1	Brass Washer, on Bolts		2	
BD.20013/2	Brass Washer, on Bolts		2	
C.8667/1	Nut, Self-Locking, on Bolts		2	
BD.19178	GRILLE AT REAR OF BONNET	46-35	1	
BD.17290	Thread Cutting Fix, securing Grille to Bonnet		2	
UFS.419/4H	Screw, Set, securing Grille to Bonnet		2	
C.723/A	Washer, Shakeproof, on Setscrews		2	
BD.20315	BONNET SAFETY CATCH ASSEMBLY	46-36	1	
BD.20318	Spring, on Safety Catch		1	
J.103/15S	Clevis Pin, through Safety Catch		1	
L.102/4U	Split Pin, retaining Clevis Pin		1	
BD.541/28	Special Washer, behind Split Pin		1	
BD.20319	Tapped Plate, for fixing of Safety Catch		1	
UFS.419/3H	Screw, Set, securing Safety Catch to Bonnet		4	
C.723/A	Washer, Shakeproof, on Setscrews		4	
BD.20320	BRACKET, RECEIVING SAFETY CATCH	46-37	1	
BD.18307/3	Screw, Set, securing Bracket to Scuttle		2	
C.724	Washer, Shakeproof, on Setscrews		2	

BODY FITTINGS

FOR FIXED HEAD COUPE ONLY

Part No.	Description	Plate No.	No. per Unit	Remarks
BD.19730	EXTENSION ASSEMBLY, AT REAR OF L.H. BONNET DUCT, FOR HEATER AIR INTAKE	46-38	1	
BD.23657	Rubber Seal , for Air Intake Extension	46-39	1	
BD.16839/3	Screw , Self-Tapping, securing Extension to Bonnet		6	
FG.104/X	Washer , Spring, on Self-Tapping Screws		6	
BD.542/3	Special Washer , under Spring Washers		6	
BD.20816/1	Rubber Seal , between Bonnet L.H. Valance and Frame Side Member ($\frac{1}{2}$ " \times 1 $\frac{3}{4}$ " \times 9 $\frac{1}{2}$ ")	46-40	1	
BD.20735	Fixing Strip , for Rubber Seal	46-41	1	
BD.20816/2	Rubber Seal , between Bonnet L.H. Rear Diaphragm and Frame Side Member ($\frac{1}{2}$ " \times 1 $\frac{3}{4}$ " \times 4")	46-42	1	
BD.20736	Fixing Strip , for Rubber Seal	46-43	1	
BD.1814/2	Pop Rivet , securing Fixing Strips		8	
BD.16015	LOCK ASSEMBLY AT R.H. SIDE OF BONNET (WB.3/10894)	46-44	1	Fitted from Chassis No. 860001 to 860004. 885001 to 885020.
BD.16016	LOCK ASSEMBLY AT L.H. SIDE OF BONNET (WB.3/10893)	46-45	1	
UCS.419/4H	Screw , Set, securing Locks to Bonnet		8	
AG.102/X	Washer , Spring, on Setscrews		8	
BD.2551	ESCUTCHEON FOR BONNET LOCKS (WB.16049/B)	46-46	2	
BD.540/9	Screw , Self-Tapping, securing Escutcheons		4	
BD.16012	BRACKET ASSEMBLY ENGAGING BONNET LOCKS	46-47	2	
UFS.119/6R	Screw , Set, securing Brackets to Body		4	
C.723/A	Washer , Shakeproof, on Setscrews		4	
AW.102/T	Washer , Plain, under Shakeproof Washers		4	
BD.16013	Shim , under Brackets		As req'd	

BODY FITTINGS

FOR FIXED HEAD COUPE ONLY

Part No.	Description	Plate No.	No. per Unit	Remarks
BD.19890	R.H. LOCKING HOOK ASSEMBLY FOR BONNET		1	} Fitted to Chassis No. 860005 and subs. 885021 and subs.
BD.19891	L.H. LOCKING HOOK ASSEMBLY FOR BONNET		1	
BD.19894 C.8737/1	Lever , on Locking Hook Shafts Nut , securing Levers to Shafts		2 2	
BD.19883	BRACKET ASSEMBLY, MOUNTING LOCKING HOOKS		2	
BD.18307/2 C.724	Screw , Set, securing Brackets to Dash Washer , Shakeproof, on Setscrews		6 6	
BD.19977	HANDLE AND ROD ASSEMBLY FOR R.H. LOCKING HOOK		1	
BD.19978	HANDLE AND ROD ASSEMBLY FOR L.H. LOCKING HOOK		1	
BD.19903	Handle only		2	
BD.19904	Escutcheon		2	
BD.19895	Neoprene Seal , on Rods		2	
BD.19013/2	Screw , Self-Tapping, securing Escutcheons to Body		4	
BD.8633/8	Speed Nut , on Self-Tapping Screws (SNU.1686)		4	
C.13806	Linkage Clip , securing Operating Rods to Locking Hooks		2	
BD.19905	BRACKET ASSEMBLY, ON BONNET SIDE PANEL, ENGAGING R.H. HOOK		1	
BD.19906	BRACKET ASSEMBLY, ON BONNET SIDE PANEL, ENGAGING L.H. HOOK		1	
BD.18307/2 C.724	Screw , Set, securing Brackets to Bonnet Washer , Shakeproof, on Setscrews		4 4	
BD.541/6	Special Washer , under Shakeproof Washers		4	
BD.19896	Locating Peg , on Brackets		2	
UFN.231/L	Nut , securing Locating Pegs		4	
BD.19936	Rubber Buffer , on Locating Pegs		2	
BD.19917	Bracket , receiving Locating Pegs		2	
BD.8291/2	Screw , Set, securing Brackets to Dash		4	
C.724	Washer , Shakeproof, on Setscrews		4	

BODY FITTINGS

FOR FIXED HEAD COUPE ONLY

Part No.	Description	Plate No.	No. per Unit	Remarks
BD.20903/1	REST RUBBER FOR REAR EDGE OF BONNET	46-48	1	
BD.10224	RUBBER BUFFER, CUSHIONING BONNET SIDES IN CLOSED POSITION	46-49	2	} Fitted from Chassis No. 860001 to 860004, 885001 to 885020.
UFS.131/8R	Screw, Set, securing Rubber Buffers to Dash		2	
UFN.231/L	Nut, on Setscrews		2	
BD.15165	CARRIER BRACKET, FOR BATTERY TRAY	46-50	1	
UFS.125/4R	Screw, Set, securing Carrier Bracket to L.H. Sill		5	
FG.104/X	Washer, Spring, on Setscrews		5	
FW.104/T	Washer, Plain, under Spring Washers		5	
UFN.125/L	Nut, on Setscrews		5	
BD.20048	R.H. UNDERSHIELD FOR FRONT FRAME	46-51	1	
BD.20047	L.H. UNDERSHIELD FOR FRONT FRAME	46-52	1	
BD.20049	Bracket, for fixing of Undershields to Front Frame		4	
UFS.125/4R	Screw, Set, securing Brackets and Undershields to Front Frame		4	
UFN.125/L	Nut, on Setscrews		4	
C.724	Washer, Shakeproof, under Nuts		4	
FW.104/T	Washer, Plain, under Shakeproof Washers		4	
BD.8633/6	Spire Nut, for fixing of Undershields to Sills and Mudshields		8	
BD.8691/1	Screw, Self-Tapping, securing Undershields to Sills and Mudshields		8	
AW.102/T	Washer, Plain, on Self-Tapping Screws		8	
BD.25541	Seal (Canvas/Rubber) for L.H. Front Frame Undershield		1	Fitted to Chassis No. 861121 and subs. 888353 and subs. May be fitted to cars prior to above Chassis numbers, if desired.
BD.19522	R.H. MUDSHIELD ASSEMBLY	46-53	1	
BD.20425	Bracket, upper, for fixing of R.H. Mudshield		1	
BD.20426	Bracket, lower, for fixing of R.H. Mudshield		1	
BD.11712/2	Pop Rivet, securing Mudshield		2	
BD.20434/1	Rubber Seal (27½" long) for R.H. Mudshield		1	
BD.20429	Fixing Strip, securing Seal to R.H. Mudshield		1	
BD.20427	Fixing Strip, securing Seal to R.H. Sill		1	
BD.1814/6	Pop Rivet, securing Fixing Strips and Seal		11	

BODY FITTINGS

FOR FIXED HEAD COUPE ONLY

Part No.	Description	Plate No.	No. per Unit	Remarks
BD.19521	L.H. MUDSHIELD ASSEMBLY	46-54	1	
BD.20426	Bracket , for fixing of L.H. Mudshield		1	
BD.20434/2	Rubber Seal (14½" long) for L.H. Mudshield		1	
BD.20428	Fixing Strip , securing Seal to L.H. Mudshield		1	
BD.20427	Fixing Strip , securing Seal to L.H. Sill		1	
BD.1814/6	Pop Rivet , securing Fixing Strips and Seal		8	
UFS.125/4R	Screw , Set, securing Mudshields to Front Frame and Sills		10	
BD.541/20	Washer , Special, on Setscrews		10	
UFN.125/L	Nut , on Setscrews		10	
C.724	Washer , Shakeproof, under Nuts		10	
BD.19714	SEAL HOUSING FOR LOWER STEERING COLUMN THROUGH DASH	46-55	1	
BD.20589	Sealing Ring (P.V.C.)	46-56	1	Fitted from Chassis No. 860001 to 860646.
C.20488	Sealing Ring		1	Fitted to Chassis No. 860647 and subs.
BD.19710	Retainer , for Sealing Ring	46-57	1	} R.H. DRIVE CARS ONLY.
BD.19716/1	Screw , Self-Tapping, securing Retainer		3	
BD.19707	Gasket , under Steering Column Seal	46-58	1	
UFS.125/5R	Screw , Set, securing Seal to Dash		4	
FW.104/T	Washer , Plain, on Setscrews		4	
UFN.125/L	Nut , on Setscrews		4	
C.724	Washer , Shakeproof, under Nuts		4	
BD.19712	COVER ASSEMBLY, SEALING REDUNDANT BRAKE PEDAL HOUSING APERTURE IN DASH		1	} R.H. DRIVE CARS ONLY.
BD.19707	Gasket , under Cover		1	
UFN.125/L	Nut , securing Cover to Dash		4	
C.724	Washer , Shakeproof, under Nuts		4	
FW.104/T	Washer , Plain, under Shakeproof Washers		4	
BD.19713	COVER ASSEMBLY, SEALING REDUNDANT ACCELERATOR PEDAL HOUSING APERTURE IN DASH		1	} R.H. DRIVE CARS ONLY.
BD.19708	Gasket , under Cover		1	
UFN.125/L	Nut , securing Cover to Dash		4	
C.724	Washer , Shakeproof, under Nuts		4	
FW.104/T	Washer , Plain, under Shakeproof Washers		4	
BD.19712	COVER ASSEMBLY, SEALING REDUNDANT BRAKE PEDAL AND STEERING COLUMN APERTURES IN DASH		2	} L.H. DRIVE CARS ONLY.
BD.19707	Gasket , under Covers		2	
UFN.125/L	Nut , securing Covers to Dash		8	
C.724	Washer , Shakeproof, under Nuts		8	
FW.104/T	Washer , Plain, under Shakeproof Washers		8	

BODY FITTINGS

FOR FIXED HEAD COUPE ONLY

Part No.	Description	Plate No.	No. per Unit	Remarks
BD.19711	COVER ASSEMBLY, SEALING REDUNDANT ACCELERATOR PEDAL HOUSING APERTURE IN DASH		1	} L.H. DRIVE CARS ONLY.
BD.19706	Gasket, under Cover		1	
UFN.125/L	Nut, securing Cover to Dash		3	
C.724	Washer, Shakeproof, under Nuts		3	
FW.104/T	Washer, Plain, under Shakeproof Washers		3	
BD.20589	SEAL, IN ACCELERATOR PEDAL HOUSING, FOR LOWER STEERING COLUMN		1	Fitted from Chassis No. 885001 to 886213.
C.20488	SEAL, IN ACCELERATOR PEDAL HOUSING, FOR LOWER STEERING COLUMN		1	Fitted to Chassis No. 886214 and subs.
BD.19710	Retainer, for Seal		1	} L.H. DRIVE CARS ONLY.
UCS.413/3H	Screw, Set, securing Retainer		3	
C.721	Washer, Shakeproof, on Setscrews		3	
BD.19717	PLUG (BLACK P.V.C.) SEALING REDUNDANT HOLES IN DASH		3	
BD.19360	WINDSCREEN GLASS	46-59	1	
BD.20499	Rubber Seal, around Windscreen Glass	46-60	1	
BD.19359	Rubber Insert, for Seal	46-61	1	
BD.20562	Chrome Finisher, at bottom edge of Windscreen	46-62	1	
BD.20563	Chrome Finisher, at top edge of Windscreen	46-63	1	
BD.19561	Chrome Finisher, at R.H. side of Windscreen	46-64	1	
BD.19562	Chrome Finisher, at L.H. side of Windscreen	46-65	1	
BD.21365	R.H. SUN VISOR ASSEMBLY, COMPLETE		1	
BD.21366	L.H. SUN VISOR ASSEMBLY, COMPLETE		1	
BD.13642/5	Screw, Set, securing Sun Visors to Body		1	
BD.21181	LICENCE HOLDER ON WINDSCREEN		1	

BODY FITTINGS

FOR FIXED HEAD COUPE ONLY

Part No.	Description	Plate No.	No. per Unit	Remarks
BD.20634	SCREEN RAIL FACIA ASSEMBLY, COMPLETE	47- 1	1	} FOR SPARES REPLACEMENTS USE BD.23832 TOGETHER WITH BD.25214.
BD.20632	Bezel , for centre Demister Slot		1	
BD.20591	Bezel , for intermediate Demister Slots		2	
BD.20592	Bezel , for outer Demister Slots		2	
BD.539/22	Screw , Self-Tapping, securing Bezels		10	
BD.23832	SCREEN RAIL FACIA ASSEMBLY, COMPLETE		1	} MAY BE USED TO REPLACE BD.20634.
	All items are as for Screen Rail Facia Assembly BD.20634.		2	
BD.25214	"Y" Piece , for Air Duct Hoses			
UFN.119/L	Nut , securing Screen Rail Facia		4	
C.723/A	Washer , Shakeproof, under Nuts		4	
AW.102/T	Washer , Plain, under Shakeproof Washers		4	
			4	
BD.21182	Bracket , for R.H. outer fixing of Screen Rail Facia		1	
BD.21183	Bracket , for L.H. outer fixing of Screen Rail Facia		1	
BD.1814/2	Pop Rivet , securing Brackets to Dash		4	
BD.20565	Bracket , for R.H. inner fixing of Screen Rail Facia		1	
BD.20566	Bracket , for L.H. inner fixing of Screen Rail Facia		1	
BD.19643	L.H. FACIA PANEL ASSEMBLY	47- 2	1	R.H. DRIVE CARS ONLY.
BD.19699	Cubby Box in L.H. Facia		1	
BD.20605	Fixing Strip , securing Cubby Box at top		1	
UFN.119/L	Nut , securing Fixing Strip		3	
C.723/A	Washer , Shakeproof, under Nuts		3	
BD.1229/16	Screw , Self-Tapping, securing Cubby Box at bottom		3	
C.1094	Distance Piece , on Self-Tapping Screws		3	
BD.20633/1	Spire Nut , on Self-Tapping Screws		3	
BD.19644	R.H. FACIA PANEL ASSEMBLY	47- 3	1	R.H. DRIVE CARS ONLY.
BD.19645	L.H. FACIA PANEL ASSEMBLY		1	L.H. DRIVE CARS ONLY, BUT NOT REQUIRED FOR ITALY.
BD.20812	L.H. FACIA PANEL ASSEMBLY		1	REQUIRED ONLY FOR L.H. DRIVE CARS EXPORTED TO ITALY.

BODY FITTINGS

FOR FIXED HEAD COUPE ONLY

Part No.	Description	Plate No.	No. per Unit	Remarks
BD.19646	R.H. FACIA PANEL ASSEMBLY		1	L.H. DRIVE CARS ONLY.
BD.19698	Cubby Box in R.H. Facia		1	
BD.20605	Fixing Strip , securing Cubby Box at top		1	
UFN.119/L	Nut , securing Fixing Strip		3	
C.723/A	Washer , Shakeproof, under Nuts		3	
BD.1229/16	Screw , Self-Tapping, securing Cubby Box at bottom		3	
C.1094	Distance Piece , on Self-Tapping Screws		3	
BD.20633/1	Spire Nut , on Self-Tapping Screws		3	
BD.20861/1	Screw , Set, Pan Head, securing Facia Panels at centre		4	
UFS.119/3R	Screw , Set, securing Facia Panels at centre		2	
C.723/A	Washer , Shakeproof, on Setscrews		4	
AW.102/T	Washer , Plain, under Shakeproof Washers		6	
BD.19241	Bracket , for fixing of L.H. Facia to Dash side		1	
BD.19242	Bracket , for fixing of R.H. Facia to Dash side		1	
BD.1814/2	Pop Rivet , securing Brackets		4	
UFN.119/L	Nut , securing Facias to Brackets		4	
C.723/A	Washer , Shakeproof, under Nuts		4	
BD.20636	GRAB HANDLE ASSEMBLY AT R.H. SIDE OF DASH		1	L.H. DRIVE CARS ONLY.
BD.20637	GRAB HANDLE ASSEMBLY AT L.H. SIDE OF DASH	47- 4	1	R.H. DRIVE CARS ONLY.
UCS.119/3R	Screw , Set, securing Grab Handle to Facia Panel		2	
C.723/A	Washer , Shakeproof, on Setscrews		2	
BD.20640	Bracket , for fixing of Grab Handle to Dash Side		1	
BD.540/19	Screw , Self-Tapping, securing Bracket		2	
BD.20639	Special Bolt , securing Grab Handle to Bracket		1	
C.739	Washer , Shakeproof, on Special Bolt		1	
BD.20462	SCUTTLE TOP CASING ASSEMBLY, R.H.	47- 5	1	} R.H. DRIVE CARS ONLY.
BD.20463	SCUTTLE TOP CASING ASSEMBLY, L.H.	47- 6	1	
BD.20470	SCUTTLE TOP CASING ASSEMBLY, CENTRE	47- 7	1	
BD.20728	COVER ASSEMBLY, PROTECTING WIRING HARNESS AT L.H. SIDE OF DASH	47- 8	1	

BODY FITTINGS

FOR FIXED HEAD COUPE ONLY

Part No.	Description	Plate No.	No. per Unit	Remarks
BD.20464	SCUTTLE TOP CASING ASSEMBLY, R.H.		1	} L.H. DRIVE CARS ONLY.
BD.20465	SCUTTLE TOP CASING ASSEMBLY, L.H.		1	
BD.20471	SCUTTLE TOP CASING ASSEMBLY, CENTRE		1	
BD.21136	Fixing Bracket , for Scuttle Casings		4	
BD.8537/1	Screw , Self-Tapping, securing Casings		2	
BD.532/2	Cup Washer , on Self-Tapping Screws		2	
BD.8536/6	Spire Nut , on Self-Tapping Screws		2	
BD.20035	FRONT FINISHER PANEL ASSEMBLY ABOVE GEARBOX TUNNEL	47- 9	1	} Fitted from Chassis No. 860001 to 860912. 885001 to 887131.
BD.19967	Face Panel , for Front Finisher		1	
BD.19984	Grille Assembly in Loudspeaker Apertures		2	
UCN.113/L	Nut , securing Grilles to Front Finisher Panel		8	
C.721	Washer , Shakeproof, under Nuts		8	
AW.104/T	Washer , Plain, under Shakeproof Washers		8	
BD.20409	Ash Tray and Panel Assembly		1	
BD.22669	Tapped Plate , securing Ash Tray Panel to Front Finisher Panel		2	
BD.13713/2	Screw , Set, securing Ash Tray Panel to Front Finisher Panel		4	
C.2017/1	Washer , Special, on Setscrews		4	
BD.23648	FRONT FINISHER PANEL ASSEMBLY ABOVE GEARBOX TUNNEL		1	} Fitted to Chassis No. 860913 and subs. 887132 and subs.
BD.23649	Face Panel , for Front Finisher		1	
	All other items are as for Front Finisher Assembly BD.20035.			
BD.19049	Bracket Assembly , L.H., for fixing of Front Finisher Panel		1	
BD.19050	Bracket Assembly , R.H., for fixing of Front Finisher Panel		1	
UFS.419/4H	Screw , Set, securing Brackets to Door		4	
C.723/A	Washer , Shakeproof, on Setscrews		4	
BD.17589	Knob , securing Front Finisher Panel		4	
BD.541/32	Special Washer , behind Knobs		4	
BD.20409	ASH TRAY AND PANEL ASSEMBLY		1	
BD.20403	Panel Assembly	47-10	1	
BD.20410	Ash Tray Assembly , complete	47-11	1	
BD.20412	Motif only , on Ash Tray		1	
AN.106/K	Nut , securing Motif		1	
C.720	Washer , Shakeproof, under Nut		1	
BD.24393	Light Shield (Rubber Strip $\frac{1}{16}'' \times \frac{3}{4}'' \times 10''$)		1	
BD.24394	Retainer , for Light Shield		1	
BD.540/19	Self-Tapping Screw , securing Retainer		2	
BD.711/9	Self-Tapping Screw , securing Retainer		2	

BODY FITTINGS

FOR FIXED HEAD COUPE ONLY

Part No.	Description	Plate No.	No. per Unit	Remarks
BD.20722	FINISHER PANEL ASSEMBLY IN RADIO CONTROL UNIT APERTURE	47-12	1	} NOT REQUIRED WHEN RADIO IS FITTED.
UFN.119/L	Nut , securing Finisher to Front Finisher Panel		2	
C.723/A	Washer , Shakeproof, under Nuts		2	
BD.541/13	Special Washer , under Shakeproof Washers		2	
BD.17354	BASE PLATE AND SURROUND (CHROME PLATED) FOR RADIO APERTURE FINISHER PANEL	47-13	1	NOT REQUIRED WHEN RADIO IS FITTED.
BD.15488	GEARBOX COVER	47-14	1	SUPERSEDED BY BD.24129.
BD.8691/7	Screw , Self-Tapping, securing Gearbox Cover		12	
BD.542/3	Washer , Plain, on Self-Tapping Screws		12	
BD.24129	GEARBOX COVER		1	SUPERSEDES BD.15488.
BD.8691/7	Screw , Self-Tapping, securing Gearbox Cover		12	
BD.542/3	Washer , Plain, on Self-Tapping Screws		12	
BD.10821	RUBBER PLUG, SEALING GEARBOX ACCESS APERTURES		2	
BD.20031	FINISHER PANEL ASSEMBLY ON GEARBOX COVER AND PROPELLER SHAFT TUNNEL	47-15	1	} Fitted from Chassis No. 860001 to 860912. 885001 to 887131.
BD.19979	Top Face Panel		1	
BD.19971	Gauntlet Face Panel		1	
BD.19981	Chrome Bezel , at top of Gauntlet Panel		1	
BD.22385	Rivet , securing Bezel to Gauntlet Panel		14	
BD.23650	FINISHER PANEL ASSEMBLY ON GEARBOX COVER AND PROPELLER SHAFT TUNNEL		1	} Fitted to Chassis No. 860913 and subs. 887132 and subs.
BD.23651	Top Face Panel		1	
BD.23652	Gauntlet Face Panel		1	
BD.19981	Chrome Bezel , at top of Gauntlet Panel		1	
BD.22385	Rivet , securing Bezel to Gauntlet Panel		14	
BD.20469	Seal , for Handbrake Lever Aperture (Rubber Strip $\frac{1}{16}'' \times 2\frac{1}{2}'' \times 6''$)		1	
BD.19728	Chrome Ferrule , at top of Gear Lever Gauntlet		1	
BD.19729	Ferrule Base (Nylon)		1	
BD.17546/1	Screw , Set, securing Finisher Panel to Tunnel		3	
BD.541/32	Special Washer , on Setscrews		3	
BD.24175	SEAT SQUAB FRAME ASSEMBLY (TRIMMED)	47-16	2	

BODY FITTINGS

FOR FIXED HEAD COUPE ONLY

Part No.	Description	Plate No.	No. per Unit	Remarks
BD.20148	SEAT CUSHION ASSEMBLY	47-17	2	
BD.18958	LOCKING SLIDE FOR R.H. SEAT	47-18	1	} Fitted from Chassis No. 860001 to 860580. 885001 to 886092.
BD.18959	LOCKING SLIDE FOR L.H. SEAT		1	
BD.22810	LOCKING SLIDE FOR L.H. SEAT		1	} Fitted to Chassis No. 860581 and subs. 886093 and subs.
BD.22811	LOCKING SLIDE FOR R.H. SEAT		1	
BD.18960	SEAT SLIDE (PLAIN)	47-19	2	Fitted from Chassis No. 860001 to 860580. 885001 to 886092.
BD.22812	SEAT SLIDE (PLAIN)		2	Fitted to Chassis No. 860581 and subs. 886093 and subs.
BD.18117;4	Screw , Set, securing Slides to Floor		8	
BD.17648	Packing , between Slides and Floor		8	
UFN.125;L	Nut , securing Slides to Seats		8	
BD.542;3	Washer , Special, under Nuts		8	
C.724	Washer , Shakeproof, on Setscrews and under Nuts		16	
C.18698	Distance Piece , at fixings of Slides to Seats		4	
BD.19378	Support Strap , for Adjusting Levers		2	
UFS.519;4H	Screw , Set, securing Support Straps		4	
UFN.119;L	Nut , on Setscrews		4	
C.723/A	Washer , Shakeproof, under Nuts		4	
C.5203;1	Washer , Plain, under Shakeproof Washers		4	
BD.20436	SHIELD ASSEMBLY, FRONT, FOR HEAT INSULATION FROM EXHAUST SYSTEM	47-20	1	Fitted from Chassis No. 860001 to 861061. 885001 to 888081.
BD.25237	SHIELD ASSEMBLY, FRONT, FOR HEAT INSULATION FROM EXHAUST SYSTEM		1	Fitted to Chassis No. 861062 and subs. 888082 and subs. See note below.
BD.711/23	Screw , Self-Tapping, securing Shield to Floor		2	
UFS.125/3R	Screw , Set, securing Shield to Floor		1	
C.724	Washer , Shakeproof, on Setscrews		1	
BD.19059;1	Screw , Self-Tapping, securing Shield to Gearbox Side Panel		1	
BD.18545	Cup Washer , on Self-Tapping Screw		1	
BD.8633/2	Spire Nut , on Self-Tapping Screw		1	

NOTE: The following cars were fitted with BD.20436 Heat Shield:

R.H. Drive 861087.

L.H. Drive 888086, 888096, 888101, 888103, 888109, 888113, 888117, 888118, 888120, 888134, 888157, 888178, 888238.

BODY FITTINGS

FOR FIXED HEAD COUPE ONLY

Part No.	Description	Plate No.	No. per Unit	Remarks
BD.20439	SHIELD ASSEMBLY, REAR, FOR HEAT INSULATION FROM EXHAUST SYSTEM	47-21	1	
BD.1814/5	Pop Rivet, securing Shield to Body		8	
BD.20268	TRIM PANEL ASSEMBLY, FOR SHUT PILLAR, AT R.H. QUARTER	47-22	1	} Fitted from Chassis No. 860001 to 861098. 885001 to 888301.
BD.20269	TRIM PANEL ASSEMBLY, FOR SHUT PILLAR, AT L.H. QUARTER		1	
BD.24463	TRIM PANEL ASSEMBLY, FOR SHUT PILLAR, AT R.H. QUARTER		1	} Fitted to Chassis No. 861099 and subs. 888302 and subs.
BD.24464	TRIM PANEL ASSEMBLY, FOR SHUT PILLAR, AT L.H. QUARTER		1	
BD.21068/5	DRAUGHT PIPING ON SHUT PILLARS		2	
BD.20266	TRIM PANEL, REAR, ABOVE R.H. CANTRAIL	47-23	1	
BD.20267	TRIM PANEL, REAR, ABOVE L.H. CANTRAIL		1	
BD.20216	MAT ASSEMBLY, ON FLOOR BEHIND SEATS	47-24	2	Fitted from Chassis No. 860001 to 860580. 885001 to 886092.
BD.23624	MAT ASSEMBLY, ON FLOOR BEHIND SEATS		2	Fitted to Chassis No. 860581 and subs. 886093 and subs.

BODY FITTINGS FOR FIXED HEAD COUPE ONLY

Part No.	Description	Plate No.	No. per Unit	Remarks
BD.20751	R.H. DOOR ASSEMBLY, COMPLETE (INCLUDING GLASS, TRIM, LOCK AND HANDLES, ETC.)		1	} Fitted from Chassis No. 860001 to 860478. 885001 to 886013.
BD.20752	L.H. DOOR ASSEMBLY, COMPLETE (INCLUDING GLASS, TRIM, LOCK AND HANDLES, ETC.)		1	
BD.22351	R.H. DOOR ASSEMBLY, COMPLETE (INCLUDING GLASS, TRIM, LOCK AND HANDLES, ETC.)		1	} Fitted to Chassis No. 860479 and subs. 886014 and subs.
BD.22352	L.H. DOOR ASSEMBLY, COMPLETE (INCLUDING GLASS, TRIM, LOCK AND HANDLES, ETC.)		1	
BD.20095	LOCK ASSEMBLY ON R.H. DOOR (WB.3/11289)		1	
BD.20096	LOCK ASSEMBLY ON L.H. DOOR (WB.3/11290)	48- 1	1	
BD.19445	Link, between Lock and Outside Handle (WB.1/8881)	48- 2	2	
BD.23473	Clip, retaining Links (WB.3/6928)	48- 3	4	
BD.1708;9	Spring Washer, for Link fixing at Lock		2	
UFS.419;3H	Screw, Set, securing Lock to Doors		6	
C.723/A	Washer, Shakeproof, on Setscrews		6	
BD.20780;3	Shakeproof Screw, securing Lock to Doors		2	
BD.19245	OUTSIDE HANDLE ON R.H. DOOR (WB.1/8871)		1	
7903	Operating Lever Assembly, for R.H. Door Handle (1/6491)		1	
9601	Housing, for Tension Spring in R.H. Handle (1/8868)		1	
BD.21486	Locking Barrel, for "F" series Key, in Handle		1	
BD.19246	OUTSIDE HANDLE ON L.H. DOOR (WB.1/8870)	48- 4	1	
7904	Operating Lever Assembly, for L.H. Door Handle (1/6492)		1	
9602	Housing, for Tension Spring, in L.H. Handle (1/8869)		1	
BD.21486	Locking Barrel for "F" series Key, in Handle		1	
UFN.119;L	Nut, securing Outside Handles		4	
C.723/A	Washer, Shakeproof, under Nuts		4	
AW.102;T	Washer, Plain, under Shakeproof Washers		4	

BODY FITTINGS

FOR FIXED HEAD COUPE ONLY

Part No.	Description	Plate No.	No. per Unit	Remarks
BD.20098	REMOTE CONTROL AND LINK ASSEMBLY, FOR OPERATION OF R.H. DOOR LOCK (WB.3/16347)		1	
BD.20097	REMOTE CONTROL AND LINK ASSEMBLY, FOR OPERATION OF L.H. DOOR LOCK (WB.3/16348)	48- 5	1	
BD.19575	Wavy Washer , at connection of Link to Lock	48- 6	2	
BD.23473	Spring Clip , securing Link to Lock	48- 7	2	
BD.19574	Washer , Special, behind Spring Clips		2	
UFS.419/3H C.723/A	Screw , Set. securing Remote Control to Doors Washer , Shakeproof, on Setscrews		6 6	
BD.10728	INSIDE HANDLE FOR DOORS (WB.1/3858)	48- 8	2	
BD.10729	HANDLE OPERATING WINDOW REGULATORS (WB.1/6671)	48- 9	2	
BD.10730	OUTER ESCUTCHEON BEHIND REGULATOR AND INSIDE DOOR HANDLES (W.128)	48-10	4	
BD.10731	INNER ESCUTCHEON BEHIND REGULATOR AND INSIDE DOOR HANDLES (W.129)	48-11	4	
BD.10732	SPRING BEHIND ESCUTCHEONS (41/379)	48-12	4	
BD.10734	Rubber Plug , behind Handles (16-10)	48-13	4	
BD.10733	Peg , securing Handles to Remote Controls and Regulators	48-14	4	
BD.20522	REGULATOR ASSEMBLY, FOR WINDOW IN R.H. DOOR		1	
BD.20523	REGULATOR ASSEMBLY, FOR WINDOW IN L.H. DOOR	48-15	1	
UFS.425/3H	Screw , Set. securing Regulator to Doors		8	
UFN.125/L	Nut , securing Regulator to Doors		8	
C.724	Washer , Shakeproof, on Setscrews and under Nuts		16	

BODY FITTINGS FOR FIXED HEAD COUPE ONLY

Part No.	Description	Plate No.	No. per Unit	Remarks
BD.20511	FRAME ASSEMBLY, FOR WINDOW IN R.H. DOOR		1	} Fitted from Chassis No. 860001 to 860478. 885001 to 886013.
BD.20512	FRAME ASSEMBLY, FOR WINDOW IN L.H. DOOR	48-16	1	
BD.20773	FRAME ASSEMBLY, FOR WINDOW IN R.H. DOOR		1	} Fitted to Chassis No. 860479 and subs. 886014 and subs.
BD.20774	FRAME ASSEMBLY, FOR WINDOW IN L.H. DOOR		1	
BD.16465	Bracket , for forward fixing of Window Frames	48-17	2	
BD.20668	Bracket , for rear fixing of Window Frames	48-18	2	
UFN.125/L	Nut , securing Brackets to Doors and Frames to Brackets		8	
C.724	Washer , Shakeproof, under Nuts		8	
FW.104/T	Washer , Plain, under Shakeproof Washers		8	
BD.17622/1	Screw , Self-Tapping, securing Window Frames to Doors at top		6	
BD.17621	Spire Nut , on Self-Tapping Screws		6	
BD.20517	GLASS ASSEMBLY, FOR WINDOW IN R.H. DOOR		1	
BD.20518	GLASS ASSEMBLY, FOR WINDOW IN L.H. DOOR	48-19	1	
BD.23361	FELT IN FORWARD AND TOP CHANNELS OF WINDOW FRAMES ($\frac{3}{32}$ " \times 1" \times 49")	48-20	2	
BD.10099	FELT IN REAR CHANNEL OF WINDOW FRAMES ($\frac{3}{32}$ " \times 1" \times 28")	48-21	2	
BD.16700	OUTER SEAL FOR DOOR GLASS	48-22	2	
ED.104:3	Clip , securing Outer Seals	48-23	14	
BD.19070	STRIKER FOR MAP LIGHT DOOR SWITCHES	48-24	4	
BD.539/15	Screw , Self-Tapping, securing Strikers		4	

BODY FITTINGS

FOR FIXED HEAD COUPE ONLY

Part No.	Description	Plate No.	No. per Unit	Remarks
BD.19611	UPPER TRIM PANEL ASSEMBLY ON R.H. DOOR		1	
BD.20010/3 BD.20399	Weather Strip, for Door Glass Clip, securing Inner Seal		1 5	
BD.19612	UPPER TRIM PANEL ASSEMBLY ON L.H. DOOR	48-25	1	
BD.20010/3 BD.20399	Weather Strip, for Door Glass Clip, securing Inner Seal		1 5	
BD.20190	CHROME FINISHER ON UPPER TRIM PANELS	48-26	2	
BD.17497 BD.711/1	Clip, securing Finishers Screw, Self-Tapping, securing Clips		10 10	
BD.20567	CASING ASSEMBLY ON R.H. DOOR		1	
BD.20568	CASING ASSEMBLY ON L.H. DOOR	48-27	1	
BD.18068	Clip, for fixing of Casings		42	
BD.711/3	Screw, Self-Tapping, securing Casing to Doors		4	
BD.20503	CHROME FINISHER ON DOOR CASINGS	48-28	2	
BD.11546	Clip, securing Chrome Finishers		10	
BD.19295	STRIKER FOR R.H. DOOR LOCK (WB.3/8994)		1	
BD.19296	STRIKER FOR L.H. DOOR LOCK (WB.3/8995)	48-29	1	
BD.19297 BD.19298 BD.17821/7	Shakeproof Shim, under Strikers (WB.3/9586) Shim, packing Strikers (20 S.W.G.) Screw, Set, securing Strikers		2 As req'd 6	
BD.19129	CHROME FINISHER AT EDGE OF DOOR SILLS	48-30	2	
BD.16794	Clip, securing Finishers		14	

BODY FITTINGS

FOR FIXED HEAD COUPE ONLY

Part No.	Description	Plate No.	No. per Unit	Remarks
BD.25376	SEALING RUBBER AND RETAINER ASSEMBLY, LOWER, FOR R.H. "A" POST		1	
BD.25308	Sealing Rubber only		1	
BD.25377	SEALING RUBBER AND RETAINER ASSEMBLY, LOWER, FOR L.H. "A" POST	48-31	1	
BD.25309	Sealing Rubber only		1	
BD.21197	SEALING RUBBER FOR DOOR SILLS	48-32	2	SUPERSEDED BY BD.24789.
BD.24789	SEALING RUBBER FOR DOOR SILLS		2	SUPERSEDES BD.21197.
BD.21196	SEALING RUBBER FOR BODY SHUT PILLARS	48-33	2	
BD.19397/1	SEALING RUBBER, IN TOP CHANNEL OF DOOR LIGHT FRAMES	48-34	2	
BD.19622	GLASS ASSEMBLY FOR R.H. QUARTER LIGHT		1	} Fitted from Chassis No. 860001 to 860194. 885001 to 885584.
BD.19623	GLASS ASSEMBLY FOR L.H. QUARTER LIGHT	48-35	1	
BD.20494 BD.4899/1	Hinge Plate, for Quarter Lights Screw, Set, securing Hinge Plates to Hinge Pillars	48-36	2 10	
BD.22462	GLASS ASSEMBLY, FOR R.H. QUARTER LIGHT		1	} Fitted from Chassis No. 860195 to 860478. 885585 to 886013.
BD.22463	GLASS ASSEMBLY FOR L.H. QUARTER LIGHT		1	
BD.21230 BD.17276/1	Attachment Block, for Quarter Light Catch Arm Screw, Set, securing Attachment Blocks to Quarter Light Frames		2 4	} MAY BE USED TO REPLACE BD.19622 AND BD.19623.
BD.20494 BD.4899/1	Hinge Plate, for Quarter Lights Screw, Set, securing Hinge Plates to Hinge Pillars		2 10	

BODY FITTINGS

FOR FIXED HEAD COUPE ONLY

Part No.	Description	Plate No.	No. per Unit	Remarks
BD.20757	GLASS ASSEMBLY FOR R.H. QUARTER LIGHT		1	} Fitted to Chassis No. 860479 and subs. 886014 and subs.
BD.20758	GLASS ASSEMBLY FOR L.H. QUARTER LIGHT		1	
BD.21230	Attachment Block , for Quarter Light Catch Arm		2	
BD.17276/1	Screw, Set , securing Attachment Blocks to Quarter Light Frames		4	
BD.22515	Hinge Plate , for Quarter Lights		2	
BD.4899/1	Screw, Set , securing Hinge Plates to Hinge Pillars		10	
BD.20367	HINGE PILLAR ASSEMBLY FOR R.H. QUARTER LIGHT		1	} Fitted from Chassis No. 860001 to 860478. 885001 to 886013.
BD.20368	HINGE PILLAR ASSEMBLY FOR L.H. QUARTER LIGHT	48-37	1	
BD.22331	Screw , Shakeproof Thread, securing Hinge Pillars to Body (Top)		4	
UCS.516/4H	Screw, Set , securing Hinge Pillars to Body (Top)		4	
BD.22332	Tapped Plate Fixing (Bottom)		2	
BD.20766	HINGE PILLAR ASSEMBLY FOR R.H. QUARTER LIGHT		1	} Fitted to Chassis No. 860479 and subs. 886014 and subs.
BD.20767	HINGE PILLAR ASSEMBLY FOR L.H. QUARTER LIGHT		1	
BD.22728/4	Screw, Set , securing Hinge Pillars to Body		8	
BD.22726	Shim , at top of Hinge Pillars		As req'd	
BD.22727	Shim , at bottom of Hinge Pillars		As req'd	
BD.17071/2	SEALING RUBBER ON QUARTER LIGHT HINGE PILLARS	48-38	2	
BD.17071/2	SEALING RUBBER ON STANDING PILLAR OF DOOR LIGHT FRAME	48-39	2	

BODY FITTINGS FOR FIXED HEAD COUPE ONLY

Part No.	Description	Plate No.	No. per Unit	Remarks
BD.21307	CATCH ASSEMBLY OPERATING R.H. QUARTER LIGHT		1	} Fitted from Chassis No. 860001 to 860194. 885001 to 885584.
BD.21308	CATCH ASSEMBLY OPERATING L.H. QUARTER LIGHT	48-40	1	
BD.21232	Hinge Pin , securing Catch Arm to Quarter Light Frame	48-41	2	
BD.4863/2	Screw, Set , securing Catches to Body		4	
BD.21127	CATCH ASSEMBLY OPERATING R.H. QUARTER LIGHT		1	} Fitted from Chassis No. 860195 to 860478. 885585 to 886013.
BD.21128	CATCH ASSEMBLY OPERATING L.H. QUARTER LIGHT		1	
BD.22297	Reinforcing Plate , for Catch Assembly		2	
BD.1814/2	Pop Rivet , securing Reinforcing Plate		4	
BD.21232	Hinge Pin , securing Catch Arm to Quarter Light Frame		2	
BD.22296	Screw, Special , securing Catches to Body		4	
BD.20467	CATCH ASSEMBLY OPERATING R.H. QUARTER LIGHT		1	} Fitted from Chassis No. 860479 to 861098. 886014 to 888301.
BD.20468	CATCH ASSEMBLY OPERATING L.H. QUARTER LIGHT		1	
BD.21232	Hinge Pin , securing Catch Arm to Quarter Light Frame		2	
BD.539/23	Screw, Self-Tapping , securing Catches to Body		4	
BD.24406	CATCH ASSEMBLY OPERATING R.H. QUARTER LIGHT		1	} Fitted to Chassis No. 861099 and subs 888302 and subs.
BD.24407	CATCH ASSEMBLY OPERATING L.H. QUARTER LIGHT		1	
BD.25722	Shim , for Catch adjustment		As req'd	
BD.21232	Hinge Pin , securing Catch Arm to Quarter Light Frame		2	
BD.539/23	Screw, Self-Tapping , securing Catches to Body		4	
BD.20500/2	SEALING RUBBER FOR CANTRAILS	48-42	2	} Fitted from Chassis No. 860001 to 860478. 885001 to 886013.
BD.20497	Retainer , for Seal, on R.H. Cantrail		1	
BD.20498	Retainer , for Seal, on L.H. Cantrail	48-43	1	
BD.1814/2	Pop Rivet , securing Retainers		32	

BODY FITTINGS

FOR FIXED HEAD COUPE ONLY

Part No.	Description	Plate No.	No. per Unit	Remarks
BD.20500/2	SEALING RUBBER FOR CANTRAILS		2	} Fitted to Chassis No. 860479 and subs. 886014 and subs.
BD.20803	Retainer, for Seal, on R.H. Cantrail		1	
BD.20804	Retainer, for Seal, on L.H. Cantrail		1	
BD.1814/2	Pop Rivet, securing Retainers		32	
BD.21577	FACING ASSEMBLY (HEADLINING) ON R.H. CANTRAIL AND REAR TRIM PANEL		1	} Fitted from Chassis No. 860001 to 860478. 885001 to 886013.
BD.21578	FACING ASSEMBLY (HEADLINING) ON L.H. CANTRAIL AND REAR TRIM PANEL		1	
BD.21340	Pad (Polyurethane) behind Facings		2	
BD.23515	FACING ASSEMBLY (HEADLINING) ON R.H. CANTRAIL AND REAR TRIM PANEL		1	} Fitted to Chassis No. 860479 and subs. 886014 and subs.
BD.23516	FACING ASSEMBLY (HEADLINING) ON L.H. CANTRAIL AND REAR TRIM PANEL		1	
BD.23517	Pad (Polyurethane) behind Facings		2	
BD.20860	HEAD LINING		1	Fitted from Chassis No. 860001 to 860478. 885001 to 886013.
BD.23514	HEAD LINING		1	Fitted to Chassis No. 860479 and subs. 886014 and subs.
BD.21078	PANEL ASSEMBLY FOR TRIMMING WINDSCREEN HEADER RAIL		1	} Fitted from Chassis No. 860001 to 860478. 885001 to 886013.
BD.21339	Pad (Polyurethane) on Panel		1	
BD.24086	TRIM PANEL ASSEMBLY FOR WINDSCREEN HEADER RAIL		1	Fitted to Chassis No. 860479 and subs. 886014 and subs.
BD.1814/1	Pop Rivet, securing Panel Assembly		5	
BD.1814/7	Pop Rivet, securing Panel Assembly		6	

BODY FITTINGS

FOR FIXED HEAD COUPE ONLY

Part No.	Description	Plate No.	No. per Unit	Remarks
BD.20191	CRASH PADDING ASSEMBLY ON R.H. CANTRAIL		1	} Fitted from Chassis No. 860001 to 860478. 885001 to 886013.
BD.20192	CRASH PADDING ASSEMBLY ON L.H. CANTRAIL	48-44	1	
BD.23508	CRASH PADDING ASSEMBLY ON R.H. CANTRAIL		1	} Fitted from Chassis No. 860479 to 861098. 886014 to 888301.
BD.23509	CRASH PADDING ASSEMBLY ON L.H. CANTRAIL		1	
BD.24457	CRASH PADDING ASSEMBLY ON R.H. CANTRAIL		1	} Fitted to Chassis No. 861099 and subs. 888302 and subs.
BD.24458	CRASH PADDING ASSEMBLY ON L.H. CANTRAIL		1	
BD.24414	Finisher Bead, on Crash Padding		2	
BD.711/1	Screw, Self-Tapping, securing Crash Padding		18	
BD.21356	CHROME BEAD ABOVE CANTRAIL PADDING		2	
BD.20174	CASING ASSEMBLY, BELOW R.H. QUARTER LIGHT		1	} Fitted from Chassis No. 860001 to 860580. 885001 to 886092.
BD.20175	CASING ASSEMBLY, BELOW L.H. QUARTER LIGHT	48-45	1	
BD.18068	Clip, for fixing of Casings		16	
BD.23552	CASING ASSEMBLY, BELOW R.H. QUARTER LIGHT		1	} Fitted from Chassis No. 860581 to 861098. 886093 to 888301.
BD.23553	CASING ASSEMBLY, BELOW L.H. QUARTER LIGHT		1	
BD.18068	Clip, securing Casings		18	

BODY FITTINGS

FOR FIXED HEAD COUPE ONLY

Part No.	Description	Plate No.	No. per Unit	Remarks
BD.24467	CASING ASSEMBLY, BELOW R.H. QUARTER LIGHT		1	} Fitted to Chassis No. 861099 and subs. 888302 and subs.
BD.24468	CASING ASSEMBLY, BELOW L.H. QUARTER LIGHT		1	
BD.18068	Clip, securing Casings		18	
BD.711/3	Screw, Self-Tapping, securing Casings		12	
BD.24418	CRASH PADDING ASSEMBLY AT TOP OF R.H. QUARTER CASING		1	} Fitted to Chassis No. 861099 and subs. 888302 and subs.
BD.24419	CRASH PADDING ASSEMBLY AT TOP OF L.H. QUARTER CASING		1	
BD.24486	Finisher Bead, forward, on Crash Padding		2	
BD.24415	Finisher Bead, rear, on Crash Padding		2	
BD.711/7	Screw, Self-Tapping, securing Crash Padding to Quarters		12	
BD.24834	CHROME FINISHER AT FORWARD END OF R.H. CRASH PADDING		1	} Fitted to Chassis No. 861099 and subs. 888302 and subs.
BD.24835	CHROME FINISHER AT FORWARD END OF L.H. CRASH PADDING		1	
BD.711/3	Screw, Self-Tapping, securing Finishers		2	
BD.20777	POCKET ASSEMBLY IN CASING BELOW R.H. QUARTER LIGHT		1	
BD.20778	POCKET ASSEMBLY IN CASING BELOW L.H. QUARTER LIGHT	48-46	1	
BD.24411	CHROME ESCUTCHEON FOR SAFETY HARNESS ATTACHMENT POINTS AT REAR QUARTERS		2	} Fitted to Chassis No. 861099 and subs. 888302 and subs.
BD.24484	Screw, securing Escutcheons		2	

BODY FITTINGS FOR FIXED HEAD COUPE ONLY

Part No.	Description	Plate No.	No. per Unit	Remarks
BD.20184	CASING ASSEMBLY, R.H. REAR, AT SIDE OF LUGGAGE COMPARTMENT FLOOR	49- 1	1	} Fitted from Chassis No. 860001 to 860478. 885001 to 886013.
BD.20185	CASING ASSEMBLY, L.H. REAR, AT SIDE OF LUGGAGE COMPARTMENT FLOOR	49- 2	1	
BD.18068	Clip, securing Casings		32	
BD.20786	CASING ASSEMBLY, R.H. REAR, AT SIDE OF LUGGAGE COMPARTMENT FLOOR		1	} Fitted from Chassis No. 860479 to 861098. 886014 to 888301.
BD.20787	CASING ASSEMBLY, L.H. REAR, AT SIDE OF LUGGAGE COMPARTMENT FLOOR		1	
BD.18068	Clip, securing Casings		17	
BD.24476	CASING ASSEMBLY, R.H. REAR, AT SIDE OF LUGGAGE COMPARTMENT FLOOR		1	} Fitted to Chassis No. 861099 and subs. 888302 and subs.
BD.24477	CASING ASSEMBLY, L.H. REAR, AT SIDE OF LUGGAGE COMPARTMENT FLOOR		1	
BD.18068	Clip, securing Casings		17	
BD.20246	COVER ASSEMBLY, SEALING APERTURE IN L.H. REAR CASING	49- 3	1	
BD.539/20	Screw, Self-Tapping, securing Cover		2	
BD.543/3	Cup Washer, on Self-Tapping Screws		2	
BD.8536/4	Spire Nut, on Self-Tapping Screws		2	
BD.20167	TRIM PANEL ASSEMBLY, BELOW BOOT LID APERTURE	49- 4	1	

BODY FITTINGS

FOR FIXED HEAD COUPE ONLY

Part No.	Description	Plate No.	No. per Unit	Remarks
BD.20501	CHROME FINISHER ON R.H. ROOF GUTTER	49- 5	1	} Fitted from Chassis No. 860001 to 860478. 885001 to 886013.
BD.20502	CHROME FINISHER ON L.H. ROOF GUTTER	49- 6	1	
BD.20745	CHROME FINISHER ON R.H. ROOF GUTTER		1	} Fitted to Chassis No. 860479 and subs. 886014 and subs.
BD.20746	CHROME FINISHER ON L.H. ROOF GUTTER		1	
BD.19543	BOOT LID ASSEMBLY, COMPLETE (COMPRISING BOOT LID SHELL, GLASS, SEAL, FINISHERS, MOTIF, CASING, LOCK-STRIKER, PROP AND REST-RUBBER)		1	Fitted from Chassis No. 860001 to 860478. 885001 to 886013.
BD.19555	BOOT LID ASSEMBLY, COMPLETE (COMPRISING BOOT LID SHELL, GLASS, SEAL, FINISHERS, MOTIF, CASING, LOCK-STRIKER, PROP AND REST-RUBBER)		1	Fitted to Chassis No. 860479 and subs. 886014 and subs.
BD.19362	GLASS IN BOOT LID	49- 7	1	Fitted from Chassis No. 860001 to 860478. 885001 to 886013.
BD.19650	GLASS IN BOOT LID		1	Fitted to Chassis No. 860479 and subs. 886014 and subs.
BD.20309	RUBBER SEAL AROUND BOOT LID GLASS	49- 8	1	
BD.20201	Insert, for Rubber Seal	49- 9	1	
BD.20158/1	CHROME FINISHER AT TOP OF RUBBER SEAL	49-10	1	} Fitted from Chassis No. 860001 to 860478. 885001 to 886013.
BD.20158/2	CHROME FINISHER AT BOTTOM OF RUBBER SEAL	49-11	1	

BODY FITTINGS FOR FIXED HEAD COUPE ONLY

Part No.	Description	Plate No.	No. per Unit	Remarks
BD.20159/1	CHROME FINISHER AT TOP OF RUBBER SEAL		1	} Fitted to Chassis No. 860479 and subs. 886014 and subs.
BD.20159/2	CHROME FINISHER AT BOTTOM OF RUBBER SEAL		1	
BD.5366	Joint Piece, for Chrome Finisher	49-12	2	
BD.17726	"JAGUAR" MOTIF ON BOOT LID	49-13	1	
BD.10735	Spire Nut, securing Motif		3	
BD.15293	Rubber Washer, under Spire Nuts		3	
BD.20163/1	PLASTIC FINISHER AROUND BOOT LID GUTTER	49-14	1	
BD.20500/1	SEALING RUBBER AROUND BOOT LID APERTURE	49-15	1	Fitted from Chassis No. 860001 to 860478. 885001 to 886013.
BD.23347/1	SEALING RUBBER AROUND BOOT LID APERTURE		1	Fitted to Chassis No. 860479 and subs. 886014 and subs.
BD.22754	CASING ASSEMBLY (UPPER) ON BOOT LID, R.H.	49-16	1	} Fitted from Chassis No. 860001 to 860478. 885001 to 886013.
BD.22755	CASING ASSEMBLY (UPPER) ON BOOT LID, L.H.	49-17	1	
BD.22725	CASING ASSEMBLY (UPPER) ON BOOT LID		1	Fitted to Chassis No. 860479 and subs. 886014 and subs.
BD.23763	CASING ASSEMBLY AT R.H. SIDE OF BOOT LID, BETWEEN UPPER AND LOWER CASING		1	} Fitted to Chassis No. 860479 and subs. 886014 and subs.
BD.18068	Clip, securing Casing		2	

BODY FITTINGS

FOR FIXED HEAD COUPE ONLY

Part No.	Description	Plate No.	No. per Unit	Remarks
BD.20165	CASING ASSEMBLY (LOWER) ON BOOT LID	49-18	1	} Fitted from Chassis No. 860001 to 860478. 885001 to 886013.
BD.18068	Clip, for fixing of Casing		14	
BD.20782	CASING ASSEMBLY (LOWER) ON BOOT LID		1	} Fitted to Chassis No. 860479 and subs. 886014 and subs.
BD.18068	Clip, for fixing of Casing		14	
BD.20683	LOCK ASSEMBLY, COMPLETE, FOR BOOT LID	49-19	1	
BD.20061	Lock Mechanism Assembly (WB.3/16193)		1	
UFS.419/5H	Screw, Set, securing Lock to Housing		4	
BD.20122	Spring, assisting Boot Lid opening		1	
BD.20573	Return Spring, for Operating Lever		1	
BD.20645	Clamp, for Operating Cable		1	
UFS.419/3H	Screw, Set, securing Clamp		1	
C.723/A	Washer, Shakeproof, on Setscrews		1	
UFS.425/4H	Screw, Set, securing Lock Assembly to Body		4	
C.724	Washer, Shakeproof, on Setscrews		4	
BD.541/32	Special Washer, under Shakeproof Washers		4	
BD.21298	RELEASE MECHANISM ASSEMBLY FOR BOOT LID LOCK		1	
BD.21066	Return Spring, for Release Mechanism		1	
BD.711/12	Screw, Self-Tapping, securing Release Mechanism to R.H. Quarter Panel		6	
BD.20900	ESCUTCHEON, IN R.H. QUARTER PANEL, AROUND RELEASE MECHANISM		1	
BD.540/11	Screw, Self-Tapping, securing Escutcheon		2	
BD.21299	CABLE FOR RELEASE OF BOOT LID LOCK		1	
BD.22643	Pad, for Control Cable		1	
BD.20682	STRIKER AND SAFETY CATCH ASSEMBLY FOR BOOT LID LOCK	49-20	1	} Fitted from Chassis No. 860001 to 860478. 885001 to 886013.
BD.20574	Spring, on Safety Catch		1	
UFS.425/4H	Screw, Set, securing Striker to Boot Lid		2	
C.724	Washer, Shakeproof, on Setscrews		2	
BD.541/9	Special Washer, under Shakeproof Washers		2	

BODY FITTINGS

FOR FIXED HEAD COUPE ONLY

Part No.	Description	Plate No.	No. per Unit	Remarks
BD.22596	STRIKER AND SAFETY CATCH ASSEMBLY FOR BOOT LID LOCK		1	} Fitted to Chassis No. 860479 and subs. 886014 and subs.
BD.20574	Spring, on Safety Catch		1	
UNF.425/4H C.724	Screw, Set, securing Striker to Boot Lid		2	
BD.541/32	Washer, Shakeproof, on Setscrews Special Washer, under Shakeproof Washers		2	
BD.659/10	DRAIN TUBE FOR BOOT LID APERTURE (9½" LONG)		1	
BD.21279	PROP, SUPPORTING BOOT LID IN OPEN POSITION	49-21	1	Fitted from Chassis No. 860001 to 860478. 885001 to 886013.
BD.23752	PROP, SUPPORTING BOOT LID IN OPEN POSITION		1	Fitted to Chassis No. 860479 and subs. 886014 and subs.
BD.21280	PIVOT BRACKET ASSEMBLY, ON BOOT LID, FOR PROP	49-22	1	Fitted from Chassis No. 860001 to 860478. 885001 to 886013.
BD.21287	PIVOT BRACKET ASSEMBLY, ON BOOT LID, FOR PROP		1	Fitted to Chassis No. 860479 and subs. 886014 and subs.
BD.13713/2 C.723/A	Screw, Set, securing Pivot Bracket Washer, Shakeproof, on Setscrews		2	} Fitted from Chassis No. 860001 to 860478. 885001 to 886013.
C.15542	Clevis Pin, securing Prop in Pivot Bracket		1	
BD.1708/4	Washer, Double Coil Spring, on Clevis Pin		1	
BD.848/2	Brass Washer, on Clevis Pin		2	
L.102/6U	Split Pin, retaining Clevis Pin		1	
BD.21281	BRACKET, ON BODY, RECEIVING PROP	49-23	1	
BD.13713/2 UFN.119/L C.723/A	Screw, Set, securing Bracket Nut, on Setscrews Washer, Shakeproof, under Nuts		2	} Fitted from Chassis No. 860001 to 860478. 885001 to 886013.
BD.21311	Plate, reinforcing Bracket		1	
UFS.419/4H	Screw, Set, securing Plate to Body		2	
UFN.119/L C.723/A	Nut, on Setscrews Washer, Shakeproof, under Nuts		2	
BD.23712	BRACKET, ON BODY, RECEIVING PROP		1	} Fitted to Chassis No. 860479 and subs. 886014 and subs.
BD.13713/1	Screw, Set, securing Bracket		2	
UFN.119/L	Nut, on Setscrews		2	
C.723/A	Washer, Shakeproof, under Nuts		2	

BODY FITTINGS

FOR FIXED HEAD COUPE ONLY

Part No.	Description	Plate No.	No. per Unit	Remarks
BD.21282	REST RUBBER ASSEMBLY, HOLDING PROP WHEN NOT IN USE	49-24	1	
BD.711/19	Screw, Self-Tapping, securing Rest Rubber to Boot Lid		2	
C.18921	REAR NUMBER PLATE		1	
BD.1229/13	Screw, Self-Tapping, securing Rear Number Plate		4	
BD.6581	Rubber Plug, in Rear Number Plate Panel		4	
BD.659/9	DRAIN TUBE FOR PETROL FILLER BOX (20" LONG)		1	
C.2905/2	Clip, securing Drain Tube		2	
BD.22536	RUBBER STOP, CUSHIONING PETROL FILLER LID		2	
BD.18492	COVER PLATE, IN FLOOR TOP PANEL OVER REAR SUSPENSION UNIT		1	
BD.18493	Rubber Seal, under Cover Plate		1	
BD.8691/6	Screw, Self-Tapping, securing Cover Plate		7	
BD.19053	Spring Latch, for fixing of Spare Wheel Cover		1	
BD.1814/1	Pop Rivet, securing Spring Latch to Floor		2	
BD.11007/1	SPARE WHEEL CLAMP ASSEMBLY	49-25	1	
BD.10637	Handle, operating Spare Wheel Clamp		1	
BD.11008/1	Screw		1	
BD.10639	Plate, on Screw, holding Spare Wheel		1	
C.704/1	Mills Pin, securing Handle to Screw		1	
BD.3438	Clip, on Boot Floor, carrying Jack Handle		2	} NOT REQUIRED FOR JACK WITH INTEGRAL HANDLE.
BD.711/18	Self-Tapping Screw, securing Clip		2	
BD.21137	COVER ASSEMBLY OVER SPARE WHEEL	49-26	1	
BD.10958	Stud, for fixing of Cover		1	
BD.9909/5	Tee Nut, receiving Stud		1	
C.723	Washer, Shakeproof, under Nut		1	
BD.22797	Spring Clip, for Spare Wheel Cover fixing		1	
UCS.511/4H	Screw, Set, securing Clip to Cover		3	
UCN.111/L	Nut, on Setscrews		3	
C.721	Washer, Shakeproof, under Nuts		3	

BODY FITTINGS

FOR FIXED HEAD COUPE ONLY

Part No.	Description	Plate No.	No. per Unit	Remarks
BD.19052	COVER ASSEMBLY OVER PETROL TANK	49-27	1	
BD.19059/2	Screw, Set, securing Cover		3	
BD.18545	Cup Washer, on Setscrews		3	
BD.4321	Rubber Buffer, in Support Strip		3	
BD.20214	MAT ASSEMBLY ON SPARE WHEEL COVER	49-28	1	} Fitted from Chassis No. 860001 to 861092. 885001 to 888256.
BD.1286/1	Button, for "Durable Dot" Fastener, securing Mat to Spare Wheel Cover		4	
BD.1286/2	Socket, securing Buttons		4	
BD.20213	MAT ASSEMBLY ON LUGGAGE COMPARTMENT FLOOR	49-29	1	} Fitted from Chassis No. 860001 to 861092. 885001 to 888256.
BD.1286/1	Button, for "Durable Dot" Fastener, securing Mat to Floor		7	
BD.1286/2	Socket, securing Buttons		7	
BD.1286/3	Stud, on Spare Wheel Cover and Luggage Compartment Floor, receiving "Durable Dot" Fasteners		11	
BD.540/1	Screw, Self-Tapping, securing Studs		11	
BD.25664	MAT ASSEMBLY ON LUGGAGE COMPARTMENT FLOOR		1	} Fitted to Chassis No. 861093 and subs. 888257 and subs. May be fitted to replace two separate Mats BD.20213 and BD.20214, if desired.
BD.1286/1	Button, for "Durable Dot" Fastener, securing Mat to Floor		8	
BD.1286/2	Socket, securing Buttons		8	
BD.1286/3	Stud, receiving "Durable Dot" Fasteners		8	
BD.540/1	Screw, Self-Tapping, securing Studs to Floor		8	
RUBBER BEADING ON LUGGAGE FLOOR				
BD.604/2	Rubber Beading (39$\frac{1}{2}$" long)	49-30	1	
BD.604/3	Rubber Beading (38" long)	49-31	1	
BD.604/4	Rubber Beading (11$\frac{7}{8}$" long)	49-32	3	
BD.604/5	Rubber Beading (28$\frac{1}{4}$" long)	49-33	2	
BD.604/6	Rubber Beading (26$\frac{1}{2}$" long)	49-34	1	
RETAINERS FOR RUBBER BEADING				
BD.332/13	Retainer, for Beading (39" long)	49-35	1	
BD.332/14	Retainer, for Beading (37$\frac{1}{4}$" long)	49-36	1	
BD.20291/1	Retainer, for Beading (11$\frac{7}{8}$" long)	49-37	3	
BD.20291/2	Retainer, for Beading (27$\frac{5}{8}$" long)	49-38	2	
BD.20291/3	Retainer, for Beading (26$\frac{1}{4}$" long)	49-39	1	
BD.20243	Spring Clip, securing Retainers to Mats		32	

BODY FITTINGS

FOR FIXED HEAD COUPE ONLY

Part No.	Description	Plate No.	No. per Unit	Remarks
BD.20795	HINGED EXTENSION ASSEMBLY FOR LUGGAGE COMPARTMENT FLOOR		1	Fitted from Chassis No. 860001 to 860580. 885001 to 886092.
BD.20131	Hinge, for Extension		3	
M.108/3R	Woodscrew, securing Hinges to Extension		9	
BD.20134	Stud, for fixing of Extension in lowered position		2	
BD.9909/5	Nut, securing Studs		2	
C.2017/1	Chromed Washer, on Studs		2	
BD.20133	Chrome Strip, along edge of Extension		1	
BD.711/16	Screw, Self-Tapping, securing Chrome Strip		9	
BD.17503/2	Screw, Self-Tapping, securing Extension Hinges to Body		9	
BD.9395	Sliding Catch, securing Hinged Extension in raised position		2	
BD.1499/6	Woodscrew, securing Sliding Catches to Extension		12	
BD.9912	Striker Plate, engaging Sliding Catches		2	
BD.11712/1	Pop Rivet, securing Striker Plates to Wheel Arches		4	
BD.604/1	Rubber Beading, on Hinged Extension (8½" long)		3	
BD.332/12	Retainer, for Rubber Beading (8½" long)		3	
M.104/3R	Woodscrew, securing Retainers		12	
C.9743	Rubber Buffer, cushioning Hinged Extension in raised position		2	
BD.22913	HINGED EXTENSION ASSEMBLY FOR LUGGAGE COMPARTMENT FLOOR	49-40	1	Fitted from Chassis No. 860581 to 861098. 886093 to 888301.
BD.20131	Hinge, for Extension		3	
M.108/3R	Woodscrew, securing Hinges to Extension		9	
BD.23717	Stud, fixing Extension in lowered position		2	
BD.9909/5	Nut, securing Studs		2	
BD.22914	Chrome Strip, along edge of Extension		1	
BD.711/16	Screw, Self-Tapping, securing Chrome Strip		9	
BD.9395	Sliding Catch, securing Hinged Extension in raised position	49-41	2	
BD.1499/6	Woodscrew, securing Catches to Extension		12	
BD.20135	Luggage Stop Arm Assembly, on Extension		2	
BD.21798	Cover Plate, over Luggage Stop Apertures		2	
BD.13642/11	Screw, Set, securing Luggage Stops and Cover Plates		8	
BD.24398	HINGED EXTENSION ASSEMBLY FOR LUGGAGE COMPARTMENT FLOOR		1	Fitted to Chassis No. 861099 and subs. 888302 and subs.
BD.24400	Hinge, for Extension		3	
BD.13642/11	Screw, Set, securing Hinges to Extension		6	
BD.23717	Stud, fixing Extension in lowered position		2	
BD.24403	Chrome Strip, along edge of Extension		1	
BD.24404	Chrome Capping, at R.H. end of Extension		1	
BD.24405	Chrome Capping, at L.H. end of Extension		1	
BD.24402	Finger Pull, at centre of Extension		1	
BD.711/16	Screw, Self-Tapping, securing Chrome Strip, Cappings and Finger Pull		10	
BD.9395	Sliding Catch, securing Extension when raised		2	
BD.1499/6	Woodscrew, securing Catches		12	
BD.20135	Luggage Stop Arm Assembly		2	
BD.21798	Cover Plate, over Luggage Stop Apertures		2	
BD.13642/11	Screw, Set, securing Stop Arms and Cover Plates		8	
BD.17503/2	Screw, Self-Tapping, securing Extension Hinges to Body		9	
BD.540/22	Screw, Self-Tapping, securing Extension Hinges to Floor		9	
BD.23142	Striker Plate, on Wheel Arches, receiving Sliding Catches	49-42	2	
BD.11712/1	Pop Rivet, securing Striker Plates		4	
BD.604/7	Rubber Beading, on Hinged Extension (7½" long)	49-43	3	
BD.332/5	Retainer, for Rubber Beading (7" long)	49-44	3	
M.104/3R	Woodscrew, securing Retainers		12	
BD.23144	Rubber Buffer, cushioning Hinged Extension in raised position		2	
				Fitted to Chassis No. 860581 and subs. 886093 and subs.

BODY FITTINGS

FOR FIXED HEAD COUPE ONLY

Part No.	Description	Plate No.	No. per Unit	Remarks
BD.22476	SUPPORT RAIL ASSEMBLY FOR HINGED EXTENSION IN LOWERED POSITION		1	} Fitted from Chassis No. 860001 to 860580. 885001 to 886092.
BD.19053	Spring Latch, receiving Studs of Hinged Extension		2	
BD.1814/1	Pop Rivet, securing Spring Latches		4	
BD.1814/1	Pop Rivet, securing Support Rail to Body		19	
C.9743	Rubber Plug, seating Hinged Extension when lowered		4	

BD.22942	SUPPORT RAIL ASSEMBLY FOR HINGED EXTENSION IN LOWERED POSITION		1	} Fitted to Chassis No. 860581 and subs. 886093 and subs.
BD.23848	Clip, receiving Studs of Extension		2	
BD.1814/1	Pop Rivet, securing Clips		4	
BD.17503/2	Screw, Self-Tapping, securing Support Rail		9	

CARPETS FOR R.H. DRIVE CARS

BD.20347	Carpet Assembly, on R.H. Front Floor	50- 1	1	} Fitted from Chassis No. 860001 to 860175.
BD.20348	Carpet Assembly, on L.H. Front Floor	50- 2	1	
BD.22962	Carpet Assembly, on R.H. Front Floor		1	} Fitted to Chassis No. 860176 and subs.
BD.22963	Carpet Assembly, on L.H. Front Floor		1	
BD.20350	Carpet Assembly, on Toe Boards	50- 3	2	
BD.20352	Carpet Assembly, R.H., for front of Tunnel	50- 4	1	
BD.20353	Carpet Assembly, L.H., for front of Tunnel	50- 5	1	
BD.20354	Carpet Assembly, R.H., for rear of Tunnel	50- 6	1	
BD.20355	Carpet Assembly, L.H., for rear of Tunnel	50- 7	1	

CARPETS FOR L.H. DRIVE CARS

BD.20347	Carpet Assembly, on R.H. Front Floor		1	} Fitted from Chassis No. 885001 to 885503.
BD.20349	Carpet Assembly, on L.H. Front Floor		1	
BD.22962	Carpet Assembly, on R.H. Front Floor		1	} Fitted to Chassis No. 885504 and subs.
BD.22964	Carpet Assembly, on L.H. Front Floor		1	
BD.20350	Carpet Assembly, on Toe Boards		2	
BD.20352	Carpet Assembly, R.H., for front of Tunnel		1	
BD.20353	Carpet Assembly, L.H., for front of Tunnel		1	
BD.20354	Carpet Assembly, R.H., for rear of Tunnel		1	
BD.20355	Carpet Assembly, L.H., for rear of Tunnel		1	

BODY FITTINGS

FOR FIXED HEAD COUPE ONLY

Part No.	Description	Plate No.	No. per Unit	Remarks
INSULATING FELTS FOR R.H. DRIVE CARS				
BD.20218	Rubberised Felt, on R.H. Front Floor (28" × 19½" × ½")		1	
BD.20230	Rubberised Felt, on L.H. Front Floor (28" × 19½" × ½")		1	
BD.20235	Rubberised Felt, under R.H. side of Scuttle (19" × 19" × ½")		1	
BD.20236	Rubberised Felt, under R.H. side of Scuttle (18½" × 10½" × ½")		1	
BD.20237	Rubberised Felt, under L.H. side of Scuttle (15" × 8½" × ½")		1	
BD.20220	Rubberised Felt, on R.H. Toe Board (14" × 10" × ½")		1	
BD.20221	Rubberised Felt, on L.H. Toe Board (14" × 10" × ½")		1	
BD.20205	Rubberised Felt, at front R.H. side of Gearbox Tunnel (15" × 11" × ½")		1	
BD.20206	Rubberised Felt, at front L.H. side of Gearbox Tunnel (15" × 11" × ½")		1	
BD.21233	Rubberised Felt, at top of Gearbox Cover (7" × 7" × ½")		1	
BD.20207	Rubberised Felt, at R.H. side of Gearbox Tunnel (17" × 8" × ½")		1	
BD.20208	Rubberised Felt, at L.H. side of Gearbox Tunnel (17" × 8" × ½")		1	
BD.20339	Rubberised Felt, under Petrol Tank (6" × 7" × ½")		1	
BD.20227	Rubberised Felt, Gearbox Cover to Scuttle (11" × 7" × ½")		1	
BD.20209	Hardura, under R.H. side of Scuttle		1	
BD.20210	Hardura, under L.H. side of Scuttle		1	
BD.539/4	Screw, Self-Tapping, securing Hardura		10	
BD.532/1	Cup Washer, on Self-Tapping Screws		10	
BD.20222	Hardura, on R.H. Toe Board (14" × 10" × ½")		1	
BD.20223	Hardura, on L.H. Toe Board (14" × 10" × ½")		1	
BD.20336	Hardura, under L.H. side of Scuttle (17" × 18" × ¼")		1	
BD.20337	Hardura, under R.H. side of Scuttle (10" × 19" × ¼")		1	
BD.20338	Hardura, under centre of Scuttle (7" × 8" × ¼")		1	
INSULATING FELTS FOR L.H. DRIVE CARS				
BD.20218	Rubberised Felt, on R.H. Front Floor (28" × 19½" × ½")		1	
BD.20219	Rubberised Felt, on L.H. Front Floor (28" × 19½" × ½")		1	
BD.20220	Rubberised Felt, on R.H. Toe Board (14" × 10" × ½")		1	
BD.20221	Rubberised Felt, on L.H. Toe Board (14" × 10" × ½")		1	
BD.20224	Rubberised Felt, under R.H. side of Scuttle (19" × 19" × ½")		1	
BD.20225	Rubberised Felt, under L.H. side of Scuttle (18½" × 10½" × ½")		1	
BD.20226	Rubberised Felt, under L.H. side of Scuttle (15" × 8½" × ½")		1	
BD.20227	Rubberised Felt, Gearbox Cover to Scuttle (11" × 7" × ½")		1	
BD.20205	Rubberised Felt, at front R.H. side of Gearbox Tunnel (15" × 11" × ½")		1	
BD.20206	Rubberised Felt, at front L.H. side of Gearbox Tunnel (15" × 11" × ½")		1	
BD.20207	Rubberised Felt, at R.H. side of Gearbox Tunnel (17" × 8" × ½")		1	
BD.20208	Rubberised Felt, at L.H. side of Gearbox Tunnel (17" × 8" × ½")		1	
BD.20339	Rubberised Felt, under Petrol Tank (6" × 7" × ½")		1	
BD.21233	Rubberised Felt, at top of Gearbox Cover (7" × 7" × ½")		1	
BD.20222	Hardura, on R.H. Toe Board (14" × 10" × ½")		1	
BD.20223	Hardura, on L.H. Toe Board (14" × 10" × ½")		1	
BD.20231	Hardura, under R.H. side of Scuttle (17" × 18" × ¼")		1	
BD.20232	Hardura, under L.H. side of Scuttle (10" × 19" × ¼")		1	
BD.20233	Hardura, under centre of Scuttle (7" × 9" × ¼")		1	

BODY FITTINGS

FOR FIXED HEAD COUPE ONLY

Part No.	Description	Plate No.	No. per Unit	Remarks
ANTI-DRUM MATERIAL				
BD.20272	Flintkote, on Door Panels (9" × 24")		2	
BD.20273	Flintkote, on Door Bottom Rails (2" × 18")		2	
BD.20351	Flintkote, on Boot Lid Panel		1	
BD.20215	Flintkote, on Rear Floor Panel (18½" × 21")		2	
BD.20902	Flintkote, on Propeller Shaft Tunnel (16" × 18")		1	
BD.20422	Flintkote, top front, for Gearbox Cover		1	
BD.20217	Flintkote, on Main Floors (19½" × 27")		2	Fitted from Chassis No. 860001 to 860175. 885001 to 885503.
BD.22965	Flintkote, on R.H. Front Floor		1	} Fitted to Chassis No. 860176 and subs. } Fitted to Chassis No. 885504 and subs.
BD.22966	Flintkote, on L.H. Front Floor		1	
BD.22965	Flintkote, on R.H. Front Floor		1	
BD.22967	Flintkote, on L.H. Front Floor		1	
BD.20211	Flintkote, for R.H. side of Scuttle (13" × 15")		1	
BD.20212	Flintkote, for L.H. side of Scuttle (13" × 15")		1	
INTERIOR TRIMMING				
BD.20456/2	Face Piece (Rexine) on Screen Pillars, at side of Facias (3" × 5")		2	
BD.20375	Face Piece (Rexine) for R.H. side of Floor Cross Member (9" × 24")		1	
BD.20376	Face Piece (Rexine) for L.H. side of Floor Cross Member (9" × 24")		1	
BD.20541	Face Piece (Vynide) (14" × 36") for Door Sills		2	
BD.20913	Pad (Polyurethane) under Sill Face Pieces		2	
BD.20169	Face Piece (Moquette) on R.H. rear Wheel Arch		1	
BD.20170	Face Piece (Moquette) on L.H. rear Wheel Arch		1	
BD.20173	Felt Pad, on rear Wheel Arches		2	
BD.20209	Mat Assembly (Hardura) for R.H. side of Scuttle		1	
BD.20210	Mat Assembly (Hardura) for L.H. side of Scuttle		1	
BD.539/4	Screw, Self-Tapping, securing Mats		10	
BD.532/1	Cup Washer, on Self-Tapping Screws		10	
BD.20216	Mat Assembly (Hardura) on Rear Floor Panel		2	
BD.20728	Cover Assembly, protecting Wiring Harness at L.H. side of Scuttle		1	
BD.1814/6	Pop Rivet, securing Cover		2	
SEALING RUBBERS				
BD.21197	Sealing Rubber, on Door Sills	50- 8	2	SUPERSEDED BY BD.24789. SUPERSEDES BD.21197.
BD.24789	Sealing Rubber, on Door Sills		2	
BD.21196	Sealing Rubber, for Door Shut Pillars	50- 9	2	
BD.18559	Sealing Rubber, lower, for R.H. "A" Post	50-10	1	
BD.18560	Sealing Rubber, lower, for L.H. "A" Post	50-11	1	
BD.19397/1	Sealing Rubber, in top channel of Door Light Frames		2	
BD.17071/2	Sealing Rubber, on Quarter Light Hinge Pillars, and Standing Pillar of Door Light Frame	50-12	4	
BD.20500/2	Sealing Rubber, for Cantrail (90" long)	50-13	2	
BD.20500/1	Sealing Rubber, around Boot Lid aperture (126" long)	50-14	1	Fitted from Chassis No. 860001 to 860478. 885001 to 886013.
BD.23347/1	Sealing Rubber, around Boot Lid aperture (126" long)		1	Fitted to Chassis No. 860479 and subs. 886014 and subs.
BD.20309	Sealing Rubber, around Boot Lid Glass		1	
BD.20903/1	Sealing Rubber, for rear edge of Bonnet (68" long)	50-15	1	

BODY FITTINGS

FOR FIXED HEAD COUPE ONLY

Part No.	Description	Plate No.	No. per Unit	Remarks
SEAL RETAINERS				
BD.20497	Retainer, for R.H. Cantrail Seal (90" long)		1	} Fitted from Chassis No. 860001 to 860478. 885001 to 886013.
BD.20498	Retainer, for L.H. Cantrail Seal (90" long)		1	
BD.20803	Retainer, for R.H. Cantrail Seal (90" long)		1	} Fitted to Chassis No. 860479 and subs. 886014 and subs.
BD.20804	Retainer, for L.H. Cantrail Seal (90" long)		1	
BD.23654	Retainer, Lower, for R.H. "A" Post Seal		1	
BD.23653	Retainer, Lower, for L.H. "A" Post Seal		1	

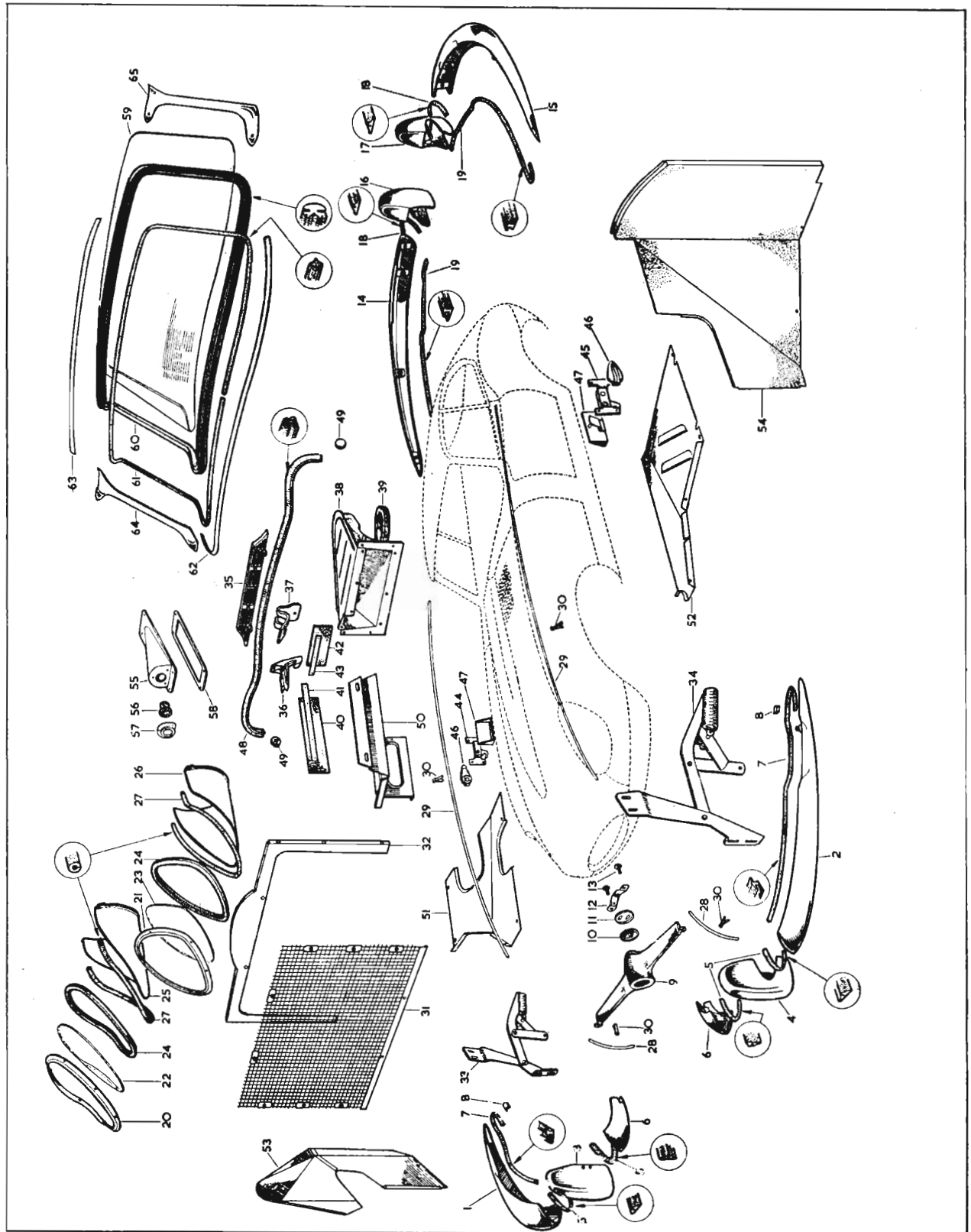


PLATE 46

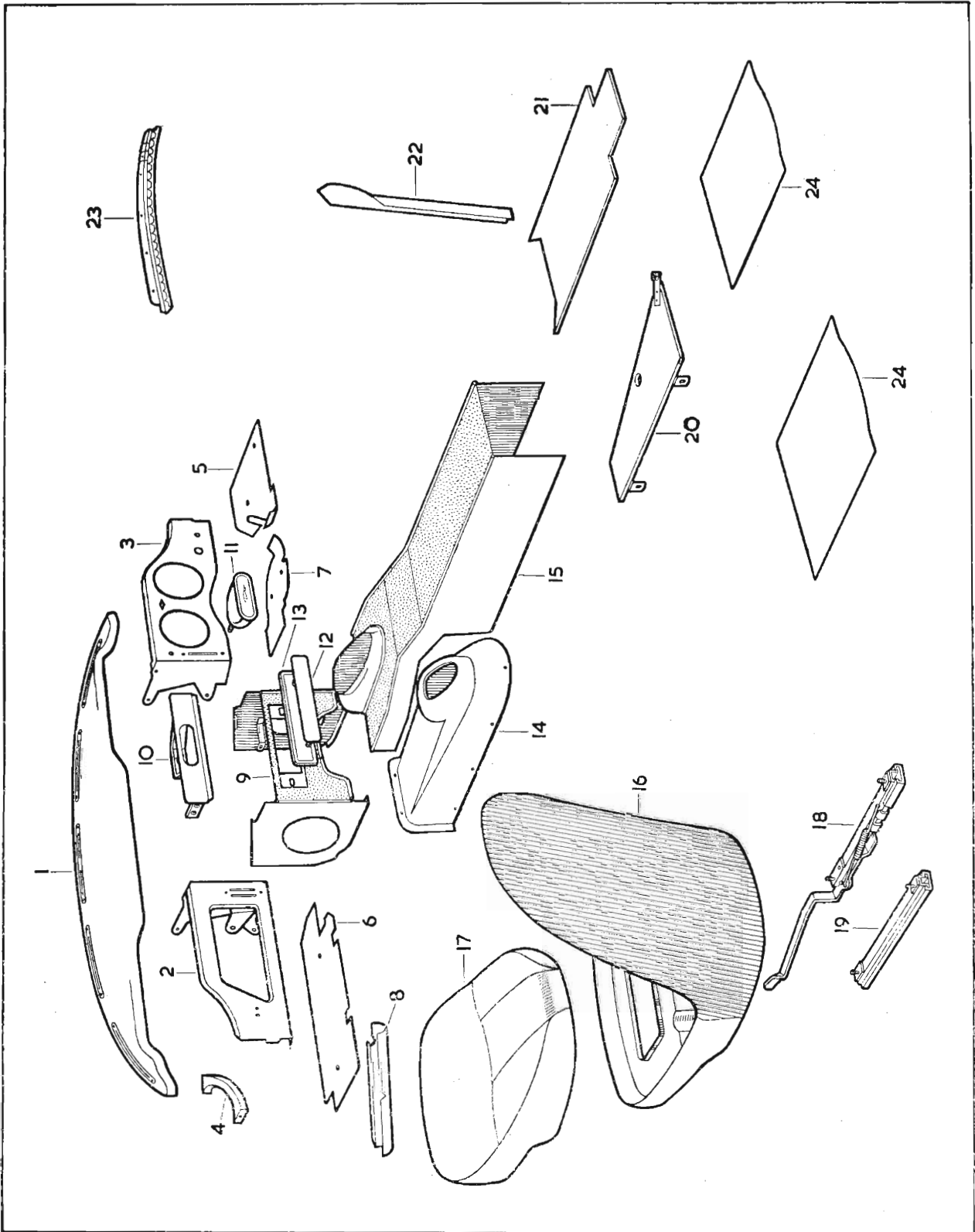


PLATE 47

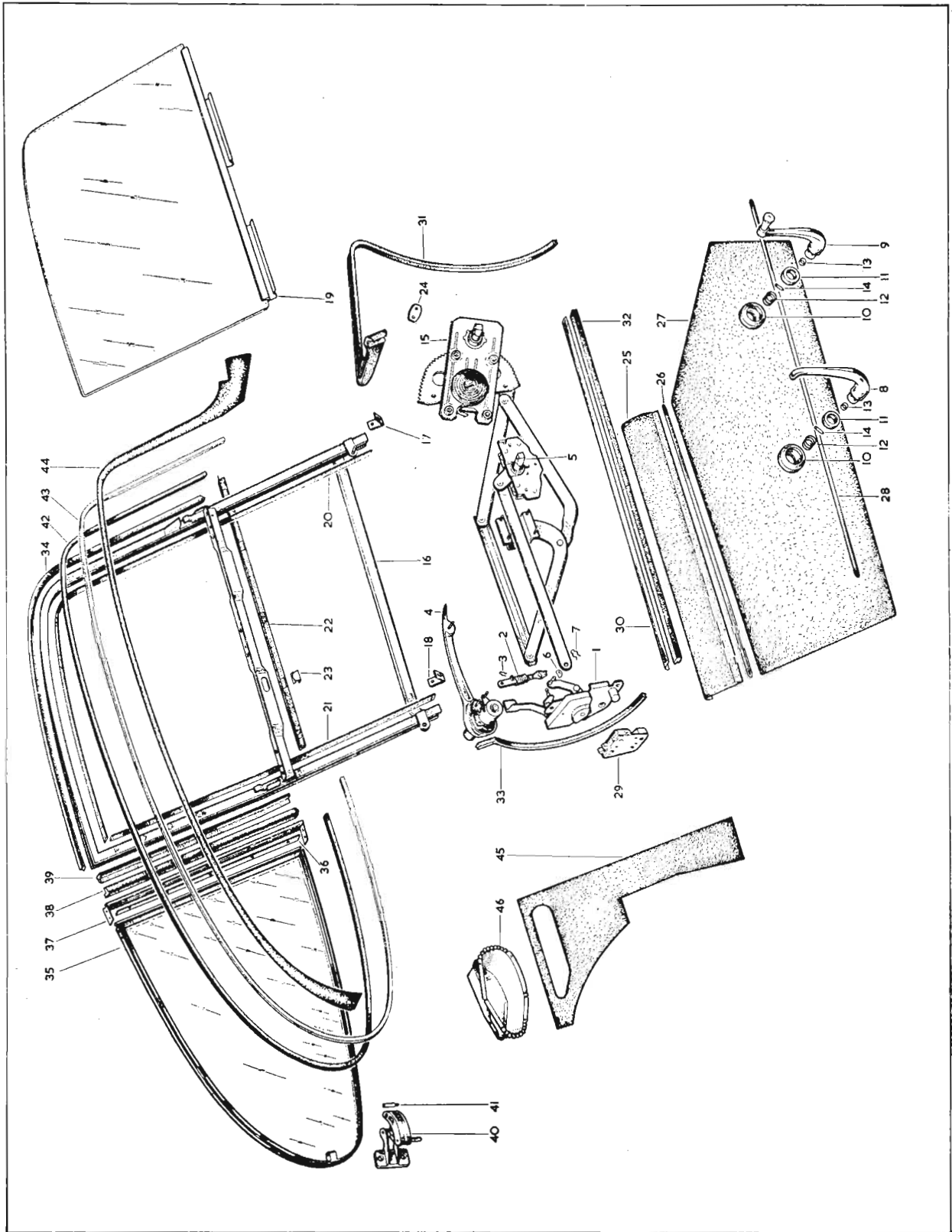


PLATE 48

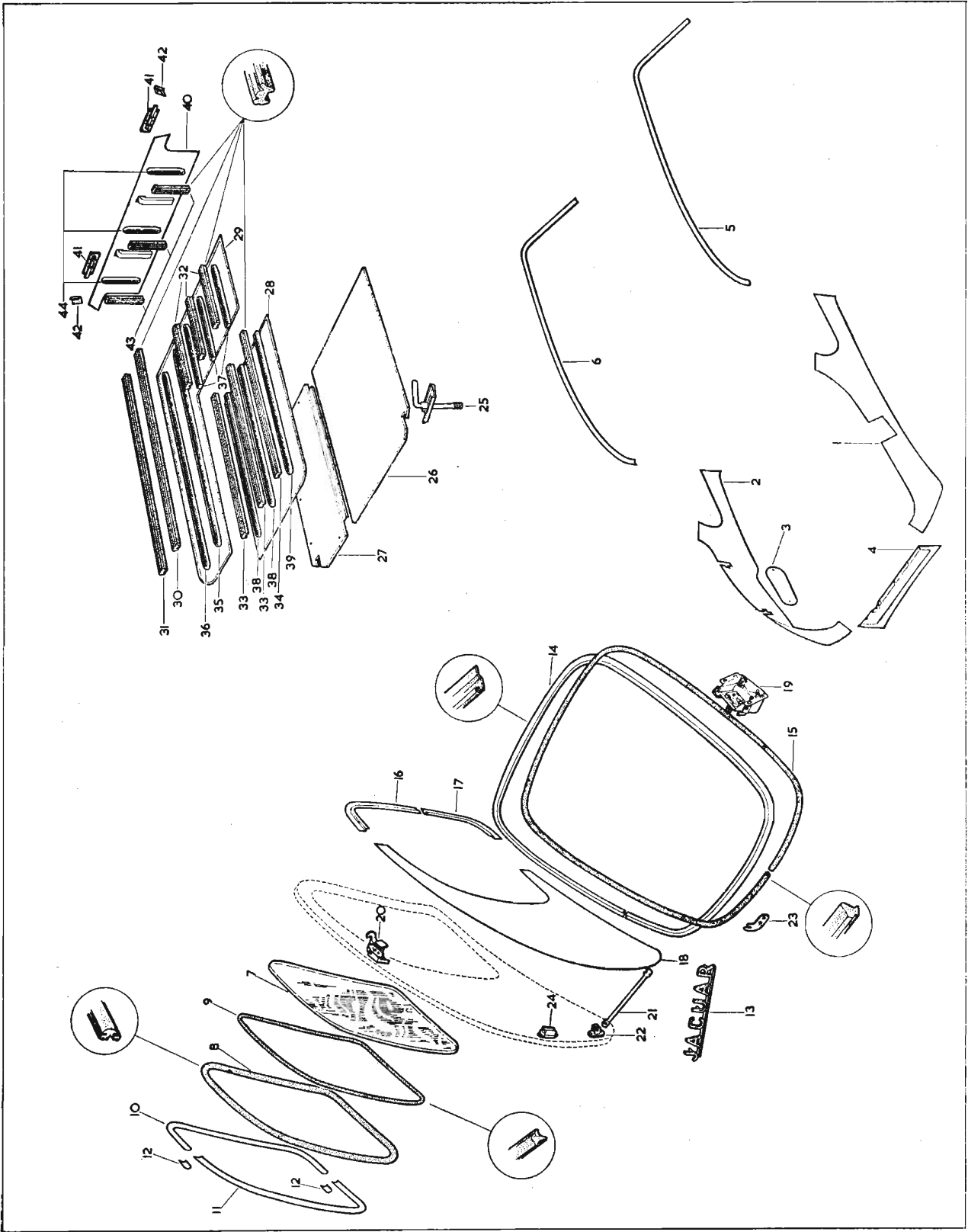


PLATE 49

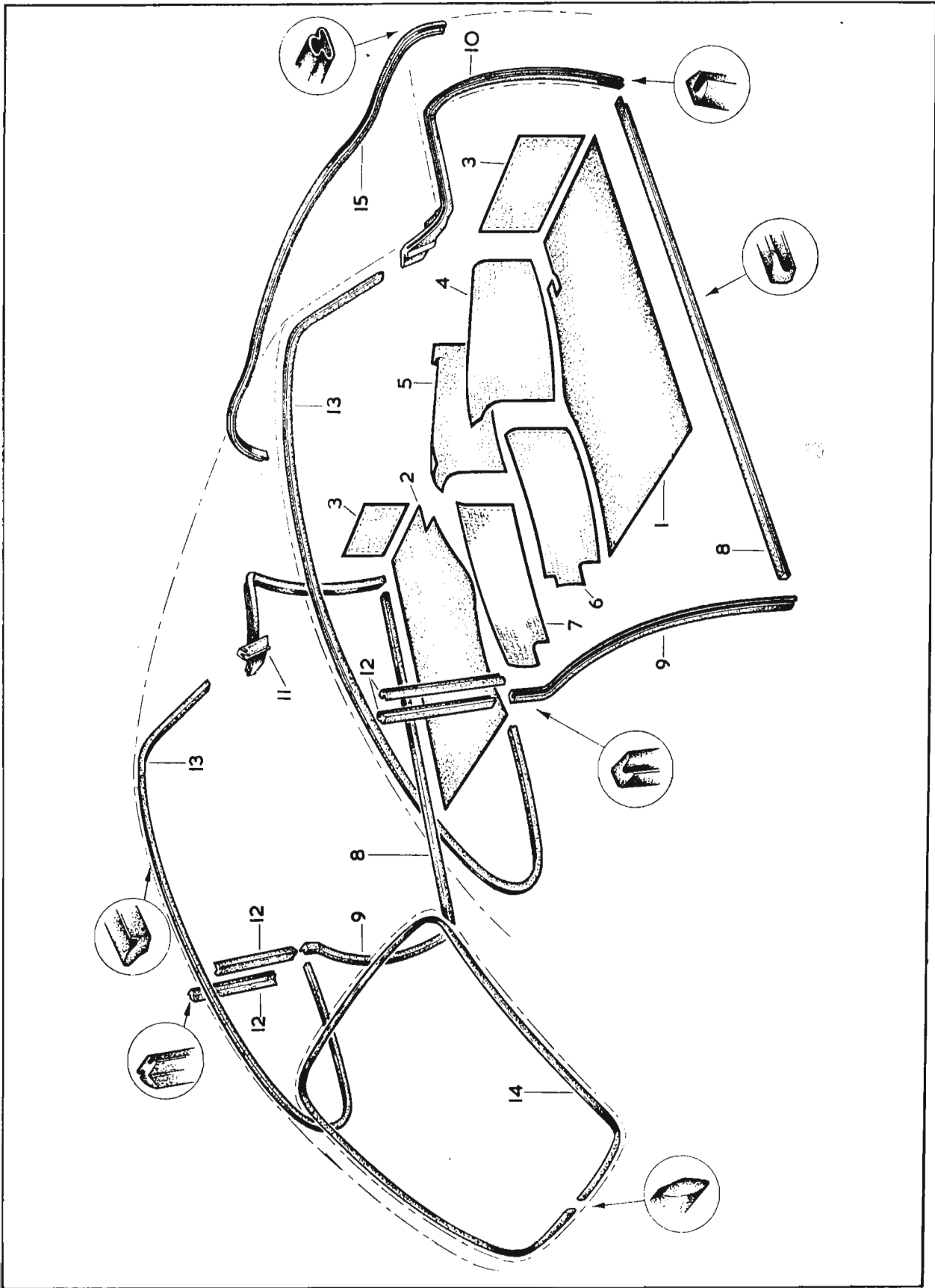


PLATE 50

TOOL KIT

Part No.	Description	Plate No.	No. per Unit	Remarks
C.4651	Adjustable Spanner		1	
C.996	Pliers		1	
C.11753	Tyre Pressure Gauge		1	
C.5444	Screwdriver, for adjustment of Contact Breaker Points		1	
C.5587	Feeler Gauge		1	
C.993	Extractor, for Tyre Valve		1	
C.4585	Screwdriver		1	See "Combination Screwdriver" below.
C.10155	Box Spanner, for Sparking Plugs and Cylinder Head Nuts		1	
C.4094	Box Spanner ($\frac{7}{16}$" \times $\frac{1}{4}$" S.A.E.)		1	
C.4095	Box Spanner ($\frac{9}{16}$" \times $\frac{3}{8}$" S.A.E.)		1	
C.4096	Box Spanner ($\frac{3}{4}$" \times $\frac{7}{8}$" S.A.E.)		1	
C.2896	Tommy Bar (Long) for Box Spanners		1	
C.34	Tommy Bar (Short) for Box Spanners		1	
C.4594	Open Ended Spanner ($\frac{3}{4}$" \times $\frac{7}{8}$" A.F.)		1	
C.4595	Open Ended Spanner ($\frac{9}{16}$" \times $\frac{5}{8}$" A.F.)		1	
C.4596	Open Ended Spanner ($\frac{1}{2}$" \times $\frac{7}{16}$" A.F.)		1	
C.4638	Open Ended Spanner ($\frac{11}{32}$" \times $\frac{3}{8}$" A.F.)		1	
C.3993	Valve Timing Gauge		1	
C.13269	Grease Gun (Tecalemit GC.3020)		1	
C.13620	Bleeder Tube, in Container (SYN.179)		1	
C.992	Hammer (Copper and Rawhide)		1	
2072	Budget Lock Key		1	
C.19524	Fan Belt		1	
C.18636	Special Wrench, for Handbrake adjustment		1	
C.17822	Jack (complete with Operating Handle)		1	} Fitted from Chassis No. 850001 to 850548. 875001 to 877518. 860001 to 860660. 885001 to 886246.
C.17823	Handle only, for Jack Operation		1	
C.20661	Jack (complete with Integral Operating Handle)		1	
BD.23688	Container for Jack		1	} Fitted to Chassis No. 850549 and subs. 877519 and subs. 860661 and subs. 886247 and subs.
C.5578	Tool Roll		1	
C.14927	Tool, for fitting and removing Hub Caps		1	
C.20482	Combination Screwdriver (Phillips Head/Conventional)		1	FOR CARS EXPORTED TO GERMANY AND SWITZERLAND. Fitted to Chassis No. 850648 and subs. 878937 and subs. 861071 and subs. 888139 and subs.

ELECTRICAL EQUIPMENT

Part No.	Description	Plate No.	No. per Unit	Remarks
C.16054	DYNAMO (22531/A-C45.PVS/6)	51- 1	1	Fitted from Chassis No. 850001 to 850091. 875001 to 875385. 860001 to 860004. 885001 to 885020.
6502	Cover Band (227015)		1	
7906	Brush (54210090)		1 set	
7907	Spring, for Brush Tension (54210091)		1 set	
8580	Bracket, Commutator End (54211251)		1	
2754	Bearing, for C.E. Bracket (189237)		1	
8578	Thrust Spring, at Commutator End (238954)		1	
8579	Thrust Screw, at Commutator End (238579)		1	
8582	Distance Collar, at Commutator End (227532)		1	
2749	Nut, on Commutator Shaft (180620)		1	
6508	Washer, under Nut (185187)		1	
5919	Bracket, Drive End (239012)		1	
2757	Bearing, for D.E. Bracket (189308)		1	
8581	Collar, for D.E. Bearing (238024)		1	
7514	Retainer, for Bearing Ring (238824)		1	
8233	Armature (239511)		1	
2789	Field Coils (238820)		1 set	
7911	Bolt, through fixing (272752)		2	
C.18286	DYNAMO (22902/A-C42)		1	Fitted to Chassis No. 850092 and subs. 875386 and subs. 860005 and subs. 885021 and subs.
8583	Brush (54213141)		1 set	
9017	Spring, for Brush Tension (227542)		1 set	
8584	Bracket, Commutator End (54213139)		1	
8881	Bearing, for C.E. Bracket (54210144)		1	
9977	Oiler, for Bearing (54211097)		1	
9364	Thrust Washer, at Commutator End (164746)		1	
8586	Nut, on Commutator Shaft (198800)		1	
9365	Washer, under Nut (185085)		1	
8585	Bracket, Drive End (54213140)		1	
2756	Bearing, for D.E. Bracket (189307)		1	
9368	Plate, for Bearing (229400)		1	
8582	Collar, for D.E. Bearing (227532)		1	
9367	Retainer, for Bearing Ring (227631)		1	
8587	Armature (54210952)		1	
8588	Field Coils (54210950)		1 set	
8590	Bolt, through fixing (54210147)		2	
8589	Terminal Set, Lucar Connections (54211890)		1	
FW.105/T	Washer, Plain, at Dynamo mounting		1	
C.14590	DYNAMO PULLEY	51- 2	1	Fitted from Engine No. R.1001 to R.1509.
C.18227	DYNAMO PULLEY		1	Fitted from Engine No. R.1510 to R.5249.
C.19520	DYNAMO PULLEY		1	Fitted to Engine No. R.5250 and subs.

ELECTRICAL EQUIPMENT

Part No.	Description	Plate No.	No. per Unit	Remarks
C.7428	FAN FOR DYNAMO PULLEY	51- 3	1	Fitted from Engine No. R.1001 to R.1509.
C.18300	FAN FOR DYNAMO PULLEY		1	Fitted to Engine No. R.1510 and subs.
UCS.131/10R C.5454 FW.105/T	Screw , Set, securing Dynamo Belt Tension Nut , Self-Locking, on Setscrew Washer , Plain, under Nut		1 1 1	
C.12679	STARTER MOTOR (26140/A-M.45G)	51- 4	1	
2804	Brush (255659)		1 set	
2811	Spring , for Brush Tension (270004)		1 set	
6653	Bracket , Commutator End (271305)		1	
2801	Bearing , for C.E. Bracket (255491)		1	
2813	Armature (270482)		1	
2819	Field Coils (271306)		1 set	
5923	Bracket , Drive End (271458)		1	
2812	Bearing , for D.E. Bracket (270038)		1	
2803	Pinion and Sleeve (255649)		1	
2806	Spring , retaining Pinion (255728)		1	
UFB.137/13R	Bolt , securing Starter Motor		2	
UFN.137/L	Nut , on Bolts		2	
FG.106/X	Washer , Spring, under Nuts		2	
C.19468	SOLENOID FOR STARTER MOTOR (76464/A.-2ST.)	51- 5	1	
8710	Rubber Cap (760130)		1	
8713	Lucar Blade (small cranked connector) for connection of Cable from Starter Switch (54190015)		1	
8711	Lucar Blade (small stepped connector) for connection of Cable from Fuse Box (54190013)		1	
8712	Lucar Blade (large stepped connector) for connection of Cable from Ammeter (54190014)		1	
C.17106	Bracket Assembly , for mounting of Solenoid	51- 6	1	
C.17107	Clamp , for Bracket	51- 7	1	
UFN.125/L	Nut , securing Bracket to Side Member		2	
C.724	Washer , Shakeproof, under Nuts		2	
UFN.119/L	Nut , securing Solenoid to Bracket		2	
C.723/A	Washer , Shakeproof, under Nuts		2	
C.8749	IGNITION COIL (45067/D-HA.12)	51- 8	1	
C.5451	Nut , in centre of Coil, for attachment of Ignition Cable (408120)	51- 9	1	
C.5452	Washer (Copper) for attachment of Ignition Cable (185015)	51-10	1	
6472	Terminal Nut (166043)		2	
C.723/A	Washer , Shakeproof, under Nuts		2	
8638	Lucar Blade , for connection of Switch and Contact Breaker Cables (54190096)	51-11	2	
C.8047	BRACKET ASSEMBLY, MOUNTING IGNITION COIL	51-12	1	
C.6558	Stud , in Engine Breather Housing, mounting Coil		1	
UFN.125/L	Nut , securing Coil		2	
C.724	Washer , Shakeproof, under Nuts		2	
FW.104/T	Washer , Plain, under Shakeproof Washers		2	

ELECTRICAL EQUIPMENT

Part No.	Description	Plate No.	No. per Unit	Remarks
C.18525	EXTENSION ASSEMBLY FOR COIL BRACKET		1	Fitted to Chassis No. 850092 and subs. 875386 and subs. 860005 and subs. 885021 and subs.
C.14269	DISTRIBUTOR (40617A/D-DMBZ.6A)	51-13	1	Fitted from Engine No. R.1001 to R.9999. RA.1001 to RA.1381. FOR 8 : 1 OR 9 : 1 COMPRESSION RATIO.
C.11906	Nut, for connection of High Tension Cables (410600)	51-14	7	
C.5452	Washer (Copper) for end of High Tension Cables (185015)	51-15	7	
6476	Clamping Plate (423605)		1	
6477	Screw (415087)		1	
6478	Cap (418857)	51-16	1	
6479	Brush and Spring, inside Cap (418856)	51-17	1	
6060	Rotor (418726)	51-18	1	
C.11990	Contact Set (420197)	51-19	1	
C.11991	Condenser (423871)	51-20	1	
6480	Base Plate (419980)		1	
6481	Bearing, for Base Plate (420375)		1	
6482	Star Spring (496058)		1	
6483	Circlip, fixing Base (496059)		1	
6484	Terminal Pin, Low Tension (407019)		1	
6485	Insulating Bush, Low Tension Terminal (408927)		1	
6486	Insulating Pin, Low Tension Terminal (405319)		1	
6487	Insulating Bush (419950)		1	
6488	Lead, Low Tension (419021)	51-21	1	
6489	Lead, Earth (419023)	51-22	1	
6491	Cam (496079)		1	
8235	Springs, Auto Advance (54410416)		1 set	
6493	Weight, Auto Advance (410033/S)		2	
6804	Shaft and Action Plate (419741)		1	
6495	Knurled Nut, adjusting Vacuum Control (419087)		1	
6496	Spring Ratchet (421825)		1	
6497	Return Spring (419086)		1	
8236	Vacuum Unit (54410415)		1	
2755	Bearing (189272)		1	
6499	Bush (419673)		1	
7177	Clip, securing Cap (421824)		2	
6501	Oil Seal (418723)		1	
2943	Driving Dog (410601)		1	
C.20679	DISTRIBUTOR (40887A/B-22.D.6)		1	Fitted to Engine No. RA.1382 and subs. FOR 8 : 1 OR 9 : 1 COMPRESSION RATIO.
C.11906	Nut, for connection of H.T. Cables (410600)		7	
C.5452	Copper Washer, for end of H.T. Cables (185015)		7	
6476	Clamping Plate (423605)		1	
6477	Screw (415087)		1	
9930	Cap (54414989)		1	
6479	Brush and Spring, inside Cap (418856)		1	
6060	Rotor (418726)		1	
9931	Contact Set (423153)		1	
6487	Insulating Bush, for Contact Breaker Lever (419950)		1	
C.11991	Condenser (423871)		1	
9932	Terminal Assembly (54413549)		1	
9933	Insulating Washer, for Terminal (161353)		1	
9934	Earth Lead (421088)		1	
9967	Springs, Auto Advance (54415561)		1 set	
9936	Weight, Auto Advance (54413922)		2	
6497	Return Spring, for Vacuum Unit (419086)		1	
9969	Vacuum Unit (54415894)		1	
9938	Oil Seal (188639)		1	
9253	Driving Dog (420620)		1	
C.18916	Lucar Blade, for connection of "CB" Lead from Coil (199279)		1	
C.2607	Cable Sleeve, for Distributor Cables (14965)		7	

ELECTRICAL EQUIPMENT

Part No.	Description	Plate No.	No. per Unit	Remarks
C.12336	SUCTION PIPE FOR DISTRIBUTOR VACUUM UNIT	51-23	1	Fitted from Engine No. R.1001 to R.9999. RA.1001 to RA.1381.
C.21576	SUCTION PIPE FOR DISTRIBUTOR VACUUM UNIT		1	} Fitted to Engine No. RA.1382 and subs.
C.21573	Neoprene Elbow , connecting Suction Pipe to Vacuum Unit		1	
C.17468	PETROL PUMP ASSEMBLY (78388/A-2.FP)	51-24	1	} Fitted from Chassis No. 850001 to 850091. 875001 to 875385. 860001 to 860004. 885001 to 885020.
8569	End Plate (771373)		1	
8570	Impeller and Driving Peg (54713567)		1	
8571	Valve Cover (771408)		1	
8572	Ball , for Valve (771333)		1	
8573	Spring , behind Ball (771387)		1	
8574	Grommet , for Pump mounting (771391)		2	
C.17570	Outlet Union (771390)		1	
C.18919	Washer (Fibre) on Outlet Union		1	
8809	Petroflex Pipe , around Electrical Cables (54714650)		1	
8811	Fibre Washer , at fixings of Petroflex Pipe (54140054)		2	
8810	Locknut , securing Petroflex Pipe to Pump Mounting Bracket (54130820)		1	
8812	Banjo Bolt , securing Petrol Pipe to Inlet side of Pump (54710343)		1	
8813	Washer , at each side of Banjo (54148514)		2	
UFB.125/8R	Bolt , securing Petrol Pump to Mounting Bracket		2	
C.8667/1	Nut , Self-Locking, on Bolts		2	
FWV.104/T	Washer , Plain, under Nuts		2	
C.17499	Bracket Assembly , for mounting of Petrol Pump	51-25	1	
C.19919	PETROL PUMP ASSEMBLY (78387/D-2.FP)		1	} Fitted to Chassis No. 850092 and subs. 875386 and subs. 860005 and subs. 885021 and subs.
8569	End Plate (771373)		1	
8570	Impeller and Driving Peg (54713567)		1	
8571	Valve Cover (771408)		1	
8572	Ball , for Valve (771333)		1	
9978	Spring , behind Ball (54714439)		1	
8574	Grommet , for Pump Mounting (771391)		2	
8809	Petroflex Pipe , around Electrical Cables (54714610)		1	
8811	Fibre Washer at fixing of Petroflex Pipe (54140054)		2	
8810	Locknut , securing Petroflex Pipe to Pump Mounting Bracket (54130820)		1	
C.18952	Special Washer , for Pump Mounting		2	
C.18953	Special Washer , for Pump Mounting		2	
C.8667/1	Self-Locking Nut , securing Pump		2	
C.18907	Bracket Assembly , for Mounting of Petrol Pump		1	
C.16051	CONTROL BOX (37304A/B-RB.310)	51-26	1	
7912	Cover (54380178)		1	
8554	Resistance (54380858)		1	
8555	Contact Set , for Cut-out (335766)		1	
8556	Contact Set , for Voltage Regulator (335765)		1	
8557	Contact Set , for Current Regulator (335764)		1	

ELECTRICAL EQUIPMENT

Part No.	Description	Plate No.	No. per Unit	Remarks
C.18287	CONTROL BOX (37331A/RB.340)		1	} Fitted to Chassis No. 850092 and subs. 875386 and subs. 860005 and subs. 885021 and subs.
8558	Cover (54381342)		1	
8559	Resistance, Swamp, 55 ohms. (54380438)		1	
8560	Resistance, Points, 40 ohms. (54380673)		1	
C.17102	BRACKET ASSEMBLY FOR MOUNTING OF CONTROL BOX	51-27	1	} Fitted from Chassis No. 850001 to 850091. 875001 to 875385. 860001 to 860004. 885001 to 885020.
UFN.119/L C.723/A	Nut, securing Bracket to Body Washer, Shakeproof, under Nuts		4 4	
UFS.125/4R C.724	Screw, Set, securing Control Box to Bracket Washer, Shakeproof, on Setscrews		3 3	
C.18289	BRACKET ASSEMBLY FOR MOUNTING OF CONTROL BOX		1	
UFN.119/L C.723/A	Nut, securing Bracket to Body Washer, Shakeproof, under Nuts		4 4	
UFS.119/9R	Screw, Set, securing Control Box to Bracket		3	
C.16053	FUSE BOX (54038032-4.FJ)	51-28	3	
C.5638 8576	Fuse, 35 amp (188218) Terminal Screw (120650)		6 3	
C.17467	FUSE BOX (54038010-4.FJ)	51-28	1	
8577 C.13932	Fuse, 5 amp (188206) Fuse, 50 amp (188219)		1 1	
UFS.319/4H C.723/A	Screw, Set, securing Fuse Boxes to Dash Washer, Shakeproof, on Setscrews		4 4	
CONNECTOR AND TERMINAL BLOCKS				
C.2532 3571 3586 C.18346	Connector Block (37082/A-TB.8) Connector Block, for Screen Wiper Cable (850832) Connector Block, for Screen Wiper Cable (900288) Terminal Block, for Petrol Pump Harness	51-29 51-30 51-31 51-32	1 1 1 1	
C.17435 BD.711/3 C.2796 UCN.113/L C.721 UCN.119/L AW.102/T	Fixing Strap, for Screen Wiper Connector Block Screw, Self-Tapping, securing Strap Bracket, for Connector Block fixing Nut, securing Bracket and Connector Blocks Washer, Shakeproof, under Nuts Nut, securing Petrol Pump Connector Block Washer, Plain, under Nuts		1 2 1 4 4 2 2	

ELECTRICAL EQUIPMENT

Part No.	Description	Plate No.	No. per Unit	Remarks
C.16257	INSTRUMENT PANEL ASSEMBLY	52- 1	1	
C.18555	Face Panel , for Instrument Panel	52- 2	1	Fitted from Chassis No. 850001 to 850609. 875001 to 878301. 860001 to 860912. 885001 to 887131.
C.20740	Face Panel , for Instrument Panel		1	Fitted to Chassis No. 850610 and subs. 878302 and subs. 860913 and subs. 887132 and subs.
UFS.419/2H	Screw , Set, for fixing of Cable Clips		3	
C.723/A	Washer , Shakeproof, on Setscrews		3	
UCN.116/L	Nut , for fixing of Switches, Fuel Indicator Plate and Earth Connections		6	
BD.541/29	Washer , Plain, under Nuts		6	
C.722	Washer , Shakeproof, under Nuts		6	
C.17473	Fuse Indicator Plate		1	
C.15785	Fixing Screw , for Instrument Panel		2	
BD.5453	Fibre Washer , on Fixing Screws		2	
C.16258	Pivot Screw , for Instrument Panel		2	
C.782	Fibre Washer , under Head of Pivot Screws		2	
C.16318	Nylon Bush , on Pivot Screws		2	
C.15289	LIGHT FILTER FOR INDICATOR STRIP	52- 3	1	
C.15916	CHROME FINISHER AT TOP OF INDICATOR STRIP	52- 4	1	
C.15609	INDICATOR STRIP, AT BOTTOM OF INSTRUMENT PANEL, DETAILING SWITCH POSITIONS (54850103)	52- 5	1	R.H. DRIVE CARS ONLY.
C.15610	INDICATOR STRIP, AT BOTTOM OF INSTRUMENT PANEL, DETAILING SWITCH POSITIONS (54850104)		1	L.H. DRIVE CARS ONLY.
BD.17503;2	Screw , Self-Tapping, securing Indicator Strip		4	
C.15787	Bulb (2 watt Lilliput) illuminating Indicator Strip		3	
C.15454	IGNITION SWITCH (31962/A-S.45)	52- 6	1	
9401	Locking Ring (Chrome) (54130301)		1	
BD.10610	Barrel , for Ignition Switch (WB.1/6545)	52- 7	1	
C.15667	Adaptor Plate , for fixing of Ignition Switch (54332197)	52- 8	1	
C.20239	LOCK AND IGNITION SWITCH ASSEMBLY (NEIMAN) ON STEERING COLUMN		1	EXPORT GERMANY. Fitted from Chassis No. 876665 to 878036. 885567 to 886753.

ELECTRICAL EQUIPMENT

Part No.	Description	Plate No.	No. per Unit	Remarks
C.20171	LOCK AND IGNITION SWITCH ASSEMBLY (WASO WERKEN) ON STEERING COLUMN		1	EXPORT GERMANY. Fitted to Chassis No. 878037 and subs. 886754 and subs. IF REQUIRED MAY BE Fitted to Chassis No. 850588 and subs. 878037 and subs. 860863 and subs. 886754 and subs. IRRESPECTIVE OF COUNTRY
C.18188	ROAD LIGHTS SWITCH (34382/A-PRS.7)	52- 9	1	
C.15449	Escutcheon, for Road Lights Switch (54850094)	52-10	1	
C.15452	Hollow Bolt, securing Escutcheon (54332269)	52-11	1	
C.15451	Nut, on Bolt (156574)	52-12	1	
C.15928	Washer, under Nut (154604)	52-13	1	
C.15450	LEVER, OPERATING ROAD LIGHTS SWITCH (54332270)	52-14	1	
C.17513/1	Sleeve (Plastic) for Lever		1	
C.16072	STARTER SWITCH (34263/A-SS.5)	52-15	1	
C.15455	PANEL LIGHTS SWITCH (31963/A-57.SA)	52-16	1	
C.15589	HEATER FAN SWITCH (31960/A-57.SA)	52-17	1	
C.15456	WINDSCREEN WIPER SWITCH (31966/A-79.SA)	52-18	1	
C.15759	WINDSCREEN WASHER SWITCH (31984/A-65.SA)	52-19	1	
C.15760	MAP LIGHT SWITCH (31963/A-65.SA)	52-20	1	

ELECTRICAL EQUIPMENT

Part No.	Description	Plate No.	No. per Unit	Remarks
C.15760	INTERIOR LIGHT SWITCH (31963/A-65.SA)	52-21	1	
C.15457	AMMETER (36262/A-CZU.60)	52-22	1	
8057	Connector (Lucar "M" Large) (199317)		2	
8058	Connector (Lucar "M" Small) (199275)		2	
987	Bulb, illuminating Ammeter (987)		1	
C.16897	Bulb Holder (54947338)		1	
C.16896	PETROL GAUGE (BF.2200/01)	52-23	1	
987	Bulb, for illumination of Petrol Gauge (987)		1	
C.16897	Bulb Holder (54947338)		1	
C.15473	OIL PRESSURE GAUGE (PE.2300/01)	52-24	1	SUPERSEDED BY C.18641.
C.18641	OIL PRESSURE GAUGE (PE.2300/02)		2	SUPERSEDES C.15473.
C.15474	Electric Element, for Oil Pressure Gauge (PT.1801/06)	52-25	1	
C.15288	Lucar Blade, for cable connection to Oil Pressure Gauge (54190107)	52-26	1	
987	Bulb, for illumination of Oil Pressure Gauge (987)		1	
C.16897	Bulb Holder (54947338)		1	
C.15471	WATER TEMPERATURE GAUGE (BT.2200/00)	52-27	1	SUPERSEDED BY C.18640.
C.18640	WATER TEMPERATURE GAUGE (BT.2200/01)		1	SUPERSEDES C.15471.
C.16895	Electric Element, for Water Temperature Gauge (TT.4201/00)	52-28	1	
C.2296/1	Copper Washer, under Element	52-29	1	
987	Bulb, for illumination of Water Temperature Gauge		1	
C.16897	Bulb Holder (54947338)		1	
C.15485	VOLTAGE CONTROL UNIT AT BACK OF INSTRUMENT PANEL (BR.1300/01)	52-30	1	

ELECTRICAL EQUIPMENT

Part No.	Description	Plate No.	No. per Unit	Remarks
C.17110	SPEEDOMETER (SN.6322/00) (CALIBRATED IN MILES)	52-31	1	FOR USE WITH 3.31 : 1 FINAL DRIVE RATIO.
C.17111	SPEEDOMETER (SN.6322/01) (CALIBRATED IN KILOS)		1	FOR USE WITH 3.31 : FINAL DRIVE RATIO. NOT FOR GERMANY OR ITALY.
C.17112	SPEEDOMETER (SN.6322/02) (CALIBRATED IN KILOS)		1	FOR USE WITH 3.31 : 1 FINAL DRIVE RATIO ON CARS EXPORTED TO GERMANY AND ITALY.
C.17113	SPEEDOMETER (SN.6322/03) (CALIBRATED IN MILES)	52-31	1	FOR USE WITH 3.54 : 1 FINAL DRIVE RATIO.
C.17114	SPEEDOMETER (SN.6322/04) (CALIBRATED IN KILOS)		1	FOR USE WITH 3.54 : 1 FINAL DRIVE RATIO. NOT FOR GERMANY OR ITALY.
C.17115	SPEEDOMETER (SN.6322/05) (CALIBRATED IN KILOS)		1	FOR USE WITH 3.54 : 1 FINAL DRIVE RATIO ON CARS EXPORTED TO GERMANY AND ITALY.
C.17116	SPEEDOMETER (SN.6322/06) (CALIBRATED IN MILES)	52-31	1	FOR USE WITH 2.93 : 1 FINAL DRIVE RATIO.
C.17117	SPEEDOMETER (SN.6322/07) (CALIBRATED IN KILOS)		1	FOR USE WITH 2.93 : 1 FINAL DRIVE RATIO. NOT FOR GERMANY OR ITALY.
C.17118	SPEEDOMETER (SN.6322/08) (CALIBRATED IN KILOS)		1	FOR USE WITH 2.93 : 1 FINAL DRIVE RATIO ON CARS EXPORTED TO GERMANY AND ITALY.
C.18970	SPEEDOMETER (SN.6322/09) (CALIBRATED IN MILES)	52-31	1	FOR USE WITH 3.07 : 1 FINAL DRIVE RATIO.
C.18971	SPEEDOMETER (SN.6322/10) (CALIBRATED IN KILOS)		1	FOR USE WITH 3.07 : 1 FINAL DRIVE RATIO. NOT FOR GERMANY OR ITALY.

NOTE : To ensure that the correct Speedometer is supplied by Jaguar Spares Division IT IS IMPORTANT WHEN ORDERING, to quote the number printed on the dial of the displaced instrument.

On some specially calibrated instruments, the number is printed on the back of the Speedometer casing.

ELECTRICAL EQUIPMENT

Part No.	Description	Plate No.	No. per Unit	Remarks
C.18972	SPEEDOMETER (SN.6322/11) (CALIBRATED IN KILOS)		1	FOR USE WITH 3.07 : 1 FINAL DRIVE RATIO. ON CARS EXPORTED TO GERMANY AND ITALY.
C.15468	REMOTE CONTROL OPERATING TRIP MILEAGE RECORDER ON SPEEDOMETER (41-741-152-01/9)	52-32	1	
8409	Screwed Escutcheon, securing Remote Control at winding end		1	
987	BULB (2.2 WATT M.E.S.) FOR ILLUMINATION OF SPEEDOMETER AND FOR IGNITION, LOW FUEL CONTENTS AND HEADLAMP MAIN BEAM WARNING LIGHTS (987)		5	
C.16898	Holder, for Speedometer Illumination Bulbs (54360731)		2	
C.17434	FLEXIBLE SPEEDOMETER CABLE COMPLETE (DF.1110/00/60)	52-33	1	
8681	Inner Cable only (DI.1110/00/60)		1	
8682	Outer Cable only (DO.1110/00/60)		1	
C.17087	RIGHT ANGLE GEARBOX FOR SPEEDOMETER CABLE DRIVE (BG.2402/02)	52-34	1	
C.16075	REV. COUNTER AND CLOCK (RV.7403/02)	52-35	1	} Fitted from Chassis No. 850001 to 850288. 875001 to 876116. 860001 to 860028. 885001 to 885205.
8879	Rev. Counter less Clock (RV.7403/03)		1	
8260	Electric Clock only (CE.1111/00)		1	
C.20085	REV. COUNTER AND CLOCK (RV.7413/03)		1	} Fitted to Chassis No. 850289 and subs. 876117 and subs. 860029 and subs. 885206 and subs.
8985	Rev. Counter less Clock (RV.7413/04)		1	
8260	Electric Clock only (RV.1111/00)		1	
987	Bulb (2.2 watt M.E.S.) for illumination of Rev. Counter (987)		2	
C.16898	Bulb Holder (54360731)		2	

ELECTRICAL EQUIPMENT

Part No.	Description	Plate No.	No. per Unit	Remarks
C.14996	GENERATOR FOR ELECTRIC REV. COUNTER (TV.1100/00)	52-36	1	
9993	Connector Moulding Assembly (41-161-105-00)		1	
9994	Gasket, under Moulding (31-754-707)		1	
AS.306/2.5H	Setscrew, securing Moulding (30-232-089-11)		2	
AG.106/X	Washer, Spring, on Setscrews (30-282-010-11)		2	
C.17487	REMOTE CONTROL FOR CLOCK ON REV. COUNTER (41-741-127-04)	52-37	1	
8409	Screwed Escutcheon, securing Remote Control at winding end		1	
C.16079	THERMOSTATIC CIGAR LIGHTER COMPLETE (EL.2414/00)	52-38	1	} Fitted from Chassis No. 850001 to 850168. 875001 to 875589. 860001 to 860009. 885001 to 885050.
C.16079/1	Body only		1	
C.5631/2	Element		1	
C.18638	THERMOSTATIC CIGAR LIGHTER COMPLETE		1	} Fitted to Chassis No. 850169 and subs. 875590 and subs. 860010 and subs. 885051 and subs.
C.18638/1	Body only		1	
C.18638/2	Element		1	
C.18638/3	Clamping Shell, for Cigar Lighter		1	
C.15288	Lucar Blade, for Cigar Lighter connection (54190107)		1	
C.18916	Lucar Blade, for Cigar Lighter connection (199279)		1	
C.16367	SWITCH, BEHIND DOOR HINGES, OPERATING MAP LIGHT ABOVE INSTRUMENT PANEL	52-39	2	
C.17337	HEADLAMP DIPPER SWITCH ON FACIA PANEL (80603/J)	52-40	1	
C.20305	ESCUTCHEON FOR HEADLAMP DIPPER SWITCH	52-41	1	
C.18981	SIDELAMP WARNING LIGHT (38232/A-WL.13)		1	FOR CARS EXPORTED TO ITALY.
8826	Shade (319222)		1	
8827	Cover and Window Assembly (54360905)		1	
8828	Bulbholder (54360731)		1	
987	Bulb (987)		1	

ELECTRICAL EQUIPMENT

Part No.	Description	Plate No.	No. per Unit	Remarks
C.16927	DIRECTION INDICATOR WARNING LIGHT ASSEMBLY (38221/A-5.WL)	52-42	1	
8641	Window (54334281)		1	
8642	Body (54334280)		1	
987	Bulb, for Warning Light (987)		2	
C.16661	WARNING LIGHT INDICATING HANDBRAKE "ON" POSITION AND LEVEL IN BRAKE FLUID CONTAINERS (38220/A-WL.3/1)	52-43	1	
8096	Cover and Window (318896)		1	
8638	Lucar Blade, for Cable connection (54190096)		1	
8639	Insulator, for Blade (54360574)		1	
8640	Lucar Blade, for Cable connection (54190574)		1	
987	Bulb (987)		1	
C.19637	ESCUTCHEON FOR HANDBRAKE AND FLUID LEVEL WARNING LIGHT	52-44	1	
C.16660	SWITCH, OPERATING HANDBRAKE AND FLUID LEVEL WARNING LIGHT (31893/A-12.SA)	52-45	1	
UFN.125/L	Nut, securing Switch		2	
C.11724	CHOKE CONTROL WARNING LIGHT ASSEMBLY (38147/A-WL.13)	52-46	1	
6808	Bulb Holder (554734)		1	
987	Bulb (2.2 watt) (987)		1	
6806	Cover (319306)		1	
6807	Window (319305)		1	
6809	Terminal Screw (100521)		1	
6810	Washer, for Terminal Screw (185012)		1	
C.16899	Distance Piece, at Choke Warning Light mounting		1	
C.16660	SWITCH, OPERATING CHOKE CONTROL WARNING LIGHT (31893/A-12.SA)	52-47	1	
UFN.125/L	Nut, securing Switch		2	
C.17328	ESCUTCHEON FOR CHOKE CONTROL LEVER	52-48	1	

ELECTRICAL EQUIPMENT

Part No.	Description	Plate No.	No. per Unit	Remarks
BD.11802	PLATE ("COLD" "HOT" "RUN") FOR CHOKE CONTROL LEVER	52-49	1	
UFN.119/L	Nut , securing Escutcheon, Plate and Mounting Bracket to Facia		2	
C.723/A	Washer , Shakeproof, under Nuts		2	
C.17909	LEVER, OPERATING CHOKE CONTROL	52-50	1	
C.17908	Quadrant Plate , between Lever and Mounting Bracket	52-51	1	
UFS.125/4R	Screw , Set, securing Quadrant Plate to Mounting Bracket		1	
UFN.125/L	Nut , on Setscrew		1	
C.724	Washer , Shakeproof, under Nut		1	
BD.11489	Ball Bearing , between Lever and Quadrant Plate	52-52	1	
C.17910	Leaf Spring , applying tension to Ball Bearing	52-53	1	
C.17911	Pivot Bolt , for Choke Control Lever		1	
C.8737/2	Nut , Self-Locking, on Pivot Bolt		1	
FW.105/T	Washer , Plain, under Nut		1	
C.17912	Knob , on Control Lever	52-54	1	
UCS.311/2H	Screw , Set, securing Knob to Lever		1	
C.17928	BRACKET, MOUNTING CHOKE CONTROL LEVER	52-55	1	
UFB.131/12R	Bolt , securing Mounting Bracket to Facia Bracket		1	
C.17366	Distance Piece , on Bolt		1	
UFN.131/L	Nut , on Bolt		1	
FG.105/X	Washer , Spring, under Nut		1	
C.18126	INNER CABLE, OPERATING CHOKE LINKAGE ON CARBURETTORS	52-56	1	
BD.11721	Pin , securing Cable to Operating Lever	52-57	1	
UCS.113/2R	Screw , Set, clamping Cable in Pin		1	
C.8667/20	Nut , Self-Locking, securing Pin to Operating Lever		1	
AW.104/T	Washer , Plain, under Self-Locking Nut		1	
C.18125	OUTER CASING FOR OPERATING CABLE	52-58	1	
C.18127	Insulating Sleeve , on Outer Casing	52-59	2	
C.15998	PIVOT FOR OUTER CASING	52-60	1	
UFS.119/4R	Screw , Set, securing Pivot		1	
C.5203/1	Washer , Special, on Setscrew		1	
BD.1708/2	Washer , Double Coil Spring, on Setscrew		1	
BD.11524	Grommet , for Outer Casing through Dash	52-61	1	

ELECTRICAL EQUIPMENT

Part No.	Description	Plate No.	No. per Unit	Remarks
C.16077	PETROL TANK ELEMENT UNIT (TF.1104/051)	52-62	1	
C.937	Gasket, for Element Unit	52-63	1	
C.15288	Lucar Blade, for Element Unit earth (54190107)		1	
C.16056	HEADLAMP, COMPLETE (58662/B-PL.700)		2	R.H. DRIVE CARS ONLY.
8077	Plate, retaining Light Unit (554179)	53- 1	2	
8595	Rim, seating Light Unit (54520552)	53- 2	2	
8173	Spring, retaining Seating Rim (554180)	53- 3	6	
8596	Screw, securing Light Unit (186194)		6	
8597	Light Unit (556599)	53- 4	2	
7765	Spring, retaining Bulb (556442)	53- 5	2	
7764	Bulb Adaptor (553738)	53- 6	2	
8518	Bulb (416) (60/36 watt Clear)	53- 7	2	
8599	Trimmer Screw, for beam adjustment (554182)	53- 8	4	
8600	Spring, on Trimmer Screw (554202)	53- 9	4	
8598	Gasket, for Headlamp Body (554227)	53-10	2	
C.16057	HEADLAMP, COMPLETE (58663/B-PL.700)		2	L.H. DRIVE CARS ONLY, EXCEPT COUNTRIES SPECIALLY LISTED ON PAGES 289 AND 290.
8610	Light Unit (54520293)		2	
8611	Bulb (417) (60/36 watt Clear)		2	
	All other items are as for Headlamp C.16056			
C.16058	HEADLAMP, COMPLETE (58664/B-F.700)		2	FOR EXPORT TO EUROPE, EXCEPT COUNTRIES SPECIALLY LISTED BELOW.
7762	Light Unit (556452)		2	
7763	Bulb (410) (45/40 watt Clear)		2	
	All other items are as for Headlamp C.16056			
C.16795	HEADLAMP, COMPLETE (58665/B-F.700)		2	FOR EXPORT TO FRANCE.
7762	Light Unit (556452)		2	
8612	Bulb (411) (45/40 watt Yellow)		2	
	All other items are as for Headlamp C.16056			
C.16797	HEADLAMP, COMPLETE (58667/B-F.700)		2	FOR EXPORT TO AUSTRIA.
8613	Light Unit (54520883)		2	
7763	Bulb (410) (45/40 watt Clear)		2	
	All other items are as for Headlamp C.16056			

ELECTRICAL EQUIPMENT

Part No.	Description	Plate No.	No. per Unit	Remarks
C.16796	HEADLAMP, COMPLETE (58666/B-F.700)		2	FOR EXPORT TO SWEDEN.
8680	Light Unit (54520148)		2	
7763	Bulb (410) (45/40 watt Clear)		2	
	All other items are as for Headlamp C.16056			
C.16059	HEADLAMP, COMPLETE (58439/D-F.700)		2	FOR EXPORT TO U.S.A.
	All details are as for Headlamp C.16056, except that LIGHT UNIT, RETAINING SPRING AND BULB ARE NOT SUPPLIED FOR U.S.A.			
UFS.319/3H	Screw, Set, securing Headlamps		8	
C.723/A	Washer, Shakeproof, on Setscrews		8	
C.16080	R.H. SIDE/FLASHER LAMP (WHITE/AMBER) (52517/A-652)		1	NOT REQUIRED FOR U.S.A.
8604	Lens (54572374)	53-11	1	
8605	Bezel (54571889)	53-12	1	
8606	Screw, securing Lens (106871)	53-13	3	
6524	Washer, retaining Screws (161385)	53-14	3	
8607	Gasket, sealing Lens (54571885)	53-15	1	
3455	Bulbholder, Sidelamp (553780)		1	
989	Sidelamp Bulb (989)	53-16	1	
6538	Bulbholder, Flasher (573832)		1	
C.9126	Flasher Bulb (382)	53-17	1	
8615	Base (54571965)	53-18	1	
8614	Gasket, seating Lamp (54572030)	53-19	1	
C.16081	L.H. SIDE/FLASHER LAMP (WHITE/AMBER) (52465/A-652)		1	NOT REQUIRED FOR U.S.A.
8609	Base (54572000)		1	
8608	Gasket, seating Lamp (54572031)		1	
	All other items are as for Lamp C.16080			
C.16082	R.H. SIDE/FLASHER LAMP (WHITE/WHITE) (52519/A-652)		1	FOR EXPORT TO U.S.A.
8616	Lens (54572375)		1	
	All other items are as for Lamp C.16080			

ELECTRICAL EQUIPMENT

Part No.	Description	Plate No.	No. per Unit	Remarks
C.16083	L.H. SIDE/FLASHER LAMP (WHITE/WHITE) (52518/A-652)		1	FOR EXPORT TO U.S.A.
8616	Lens (54572375)		1	
8609	Base (54572000)		1	
8608	Gasket, seating Lamp (54572031)		1	
	All other items are as for Lamp C.16080			
UFS.319/4H	Screw, Set, securing Side/Flasher Lamps		2	
UFS.319/7H	Screw, Set, securing Side/Flasher Lamps		4	
BD.18957/3	Distance Piece (½" long) on Setscrews		4	
AG.102/X	Washer, Spring, on Setscrews		4	
C.16084	R.H. STOP/TAIL/FLASHER LAMP (RED/AMBER) (53866/A-651)		1	OPEN CARS ONLY. NOT REQUIRED FOR U.S.A.
8617	Lens (54572372)	53-20	1	
8619	Chrome Strip, over joint in Lens (54571936)	53-21	1	
8606	Screw, securing Lens (106871)	53-22	2	
6524	Washer, retaining Screws (161385)	53-23	2	
8620	Gasket, seating Lens (54571934)	53-24	1	
6538	Interior Bulb Holder, Flasher (573832)		1	
C.9126	Bulb, Flasher (382)	53-25	1	
5311	Interior Bulb Holder, Stop/Tail (573828)		1	
C.9125	Bulb, Stop/Tail (380)	53-26	1	
8084	Reflex Reflector (574914)	53-27	1	
8621	Rubber Spacer, seating Reflector (54572032)	53-28	1	
8622	Bracket, supporting Reflector (54571938)	53-29	1	
8623	Screw, securing Support Bracket (198946)	53-30	2	
8627	Base (54571939)	53-31	1	
8626	Gasket, seating Lamp (54571935)	53-32	1	
C.16085	L.H. STOP/TAIL/FLASHER LAMP (RED/AMBER) (53820/A-651)		1	OPEN CARS ONLY. NOT REQUIRED FOR U.S.A.
8625	Base (54572040)		1	
8624	Gasket, seating Lamp (54572062)		1	
	All other items are as for Lamp C.16084			
C.16086	R.H. STOP/TAIL/FLASHER LAMP (RED/RED) (53868/A-651)		1	FITTED TO OPEN CARS EXPORTED TO U.S.A.
8512	Lens (54572373)		1	
	All other items are as for Lamp C.16084			

ELECTRICAL EQUIPMENT

Part No.	Description	Plate No.	No. per Unit	Remarks
C.16087	L.H. STOP/TAIL/FLASHER LAMP (RED/RED) (53867/A-651)		1	FITTED TO OPEN CARS EXPORTED TO U.S.A.
8512	Lens (54572373)		1	
8625	Base (54572040)		1	
8624	Gasket, seating Lamp (54572062)		1	
	All other items are as for Lamp C.16084			
C.17931	R.H. STOP/TAIL/FLASHER LAMP (RED/AMBER) (53948/A-651)		1	FIXED HEAD MODELS ONLY. NOT REQUIRED FOR U.S.A. Fitted from Chassis No. 860001 to 860478. 885001 to 886013.
8785	Base (54572887)		1	
	All other items are as for Lamp C.16084			
C.17932	L.H. STOP/TAIL/FLASHER LAMP (RED/AMBER) (53947/A-651)		1	
8786	Base (54572888)		1	
	All other items are as for Lamp C.16084			
8624	Gasket, seating Lamp (54572062)		1	
C.19854	R.H. STOP/TAIL/FLASHER LAMP (RED/AMBER) (54128/A-651)		1	FIXED HEAD MODELS ONLY. NOT REQUIRED FOR U.S.A. Fitted to Chassis No. 860479 and subs. 886014 and subs.
9322	Reflex Reflector (54573735)		1	
9325	Screw, securing Support Bracket (54102090)		2	
9324	Base (54573952)		1	
	All other items are as for Lamp C.16084			
C.19855	L.H. STOP/TAIL/FLASHER LAMP (RED/AMBER) (54129/A-651)		1	FIXED HEAD MODELS ONLY. NOT REQUIRED FOR U.S.A. Fitted to Chassis No. 860479 and subs. 886014 and subs.
9322	Reflex Reflector (54573735)		1	
9325	Screw, securing Support Bracket (54102090)		2	
9323	Base (54573951)		1	
	All other items are as for Lamp C.16084			
8624	Gasket, seating Lamp (54572062)		1	

ELECTRICAL EQUIPMENT

Part No.	Description	Plate No.	No. per Unit	Remarks
C.17933	R.H. STOP/TAIL/FLASHER LAMP (RED/RED) (53950/A-651)		1	REQUIRED FOR FIXED HEAD MODELS EXPORTED TO U.S.A. Fitted from Chassis No. 860001 to 860478. 885001 to 886013.
8512	Lens (54572373)		1	
8785	Base (54572887)		1	
	All other items are as for Lamp C.16084			
C.17934	L.H. STOP/TAIL/FLASHER LAMP (RED/RED) (53949/A-651)		1	
8512	Lens (54572373)		1	
8786	Base (54572888)		1	
	All other items are as for Lamp C.16084			
8624	Gasket, seating Lamp (54572062)		1	
C.19856	R.H. STOP/TAIL/FLASHER LAMP (RED/RED) (54130/A-651)		1	
8512	Lens (54572373)		1	
9322	Reflex Reflector (54573735)		1	
9325	Screw, securing Support Bracket (54102090)		2	
9324	Base (54573952)		1	
	All other items are as for Lamp C.16084			
C.19857	L.H. STOP/TAIL/FLASHER LAMP (RED/RED) (54131/A-651)		1	
8512	Lens (54572373)		1	
9322	Reflex Reflector (54573735)		1	
9325	Screw, securing Support Bracket (54102090)		2	
9323	Base (54573951)		1	
	All other items are as for Lamp C.16084			
8624	Gasket, seating Lamp (54572062)		1	
BD.20092/2	Screw, Set (1/2" long) securing Stop/Tail/Flasher Lamps		2	
BD.20092/6	Screw, Set (1/2" long) securing Stop/Tail/Flasher Lamps		4	
BD.18957/1	Spacer, on Setscrews		2	
AG.102/X	Washer, Spring, on Setscrews		6	
C.16063	FLASHER UNIT (35011/A-FL.5)	53-33	1	
UCS.313/8H	Screw, Set, securing Flasher Socket to Body		1	

ELECTRICAL EQUIPMENT

Part No.	Description	Plate No.	No. per Unit	Remarks
C.18219	NUMBER PLATE ILLUMINATION LAMP (53993/A-L.705)		2	
8771	Body and Bulb Holder Assembly (54573381)	53-34	2	
BD.1063	Bulb (207)	53-35	2	
8772	Lens (54570704)	53-36	2	
8773	Gasket, under Lens (54570706)	53-37	2	
8774	Rim (54570708)	53-38	2	
8775	Shield (54570705)	53-39	2	
8776	Screw, securing Rim (54111081)	53-40	2	
BD.15746	Gasket, under Number Plate Illumination Lamps	53-41	2	
BD.711/23	Screw, Self-Tapping, securing Lamps		4	
C.722	Washer, Shakeproof, on Self-Tapping Screws		4	
C.18724	REVERSE LAMP (52567/A-L.549)		1	NOT REQUIRED FOR FRANCE.
8714	Lens (576223)	53-42	1	
8715	Rim, for Lens (576227)	53-43	1	
8716	Gasket, seating Lens (576228)	53-44	1	
8718	Screw, securing Lens (54111011)	53-45	2	
6524	Washer, retaining Screws (161385)	53-46	2	
6538	Bulbholder (573832)		1	
C.9126	Bulb (382)	53-47	1	
8064	Terminal Sleeve (555910)		1	
8719	Grommet, Cable entry (54572247)	53-48	1	
8720	Body (54570992)	53-49	1	
8717	Gasket, seating Lamp (576229)	53-50	1	
C.18844	REVERSE LAMP (52570/A-L.595)		1	FOR EXPORT TO FRANCE ONLY.
8721	Lens (Amber) (54573097)		1	
	All other items are as for Reverse Lamp C.18724			
UFS.419/3H	Screw, Set, securing Reverse Lamp to Housing		2	
C.723/A	Washer, Shakeproof, on Setscrews		2	
BD.20754	HOUSING ASSEMBLY, MOUNTING REVERSE LAMP TO BODY		1	
BD.711/23	Screw, Self-Tapping, securing Housing to Body		2	
BD.8633/3	Spire Nut, on Self-Tapping Screws		2	
C.1083	SWITCH, IN GEARBOX TOP COVER, OPERATING REVERSE LAMP (31077/E-SS.10/1)	53-51	1	
C.4531	Gasket, under Switch (163682)	53-52	1	

ELECTRICAL EQUIPMENT

Part No.	Description	Plate No.	No. per Unit	Remarks
C.17192	HORN (LOW NOTE) (69087/A-WT.618/U)	53-53	1	} Fitted from Chassis No. 850001 to 850499. 875001 to 877154. 860001 to 860435. 885001 to 885970.
5326	Cover (702575)		1	
8483	Bracket (707095)		1	
8484	Contact Set (702687)		1	
8485	Diaphragm (702836)		1	
C.17193	HORN (HIGH NOTE) (69090/A-WT.618/U)	53-53	1	}
8486	Diaphragm (702851)		1	
	All other items are as for Horn C.17192			
C.19080	HORN (LOW NOTE) (69127/A-WT.618/U)		1	} Fitted to Chassis No. 850500 and subs. 877155 and subs. 860436 and subs. 885971 and subs.
9979	Cover (54680655)		1	
8483	Bracket (707095)		1	
8484	Contact Set (702687)		1	
8485	Diaphragm (702836)		1	
C.19081	HORN (HIGH NOTE) (69128/A-WT.618/U)		1	}
8486	Diaphragm (702851)		1	
	All other items are as for Horn C.19080			
UFN.125/L	Nut, securing Horns		4	
C.724	Washer, Shakeproof, under Nuts		4	
C.17339	Grommet, in Horns, for Cable entry		2	
C.17338	HORN RELAY (33209/B-6RA)	53-54	1	
UFS.419/3H	Screw, Set, securing Horn Relay to L.H. Mudshield		2	
UFN.119/L	Nut, on Setscrews		2	
C.723/A	Washer, Shakeproof, on Setscrews		2	
AW.102/T	Washer, Plain, under Shakeproof Washers		2	
C.16070	STEERING COLUMN HORN PUSH (33570A/B-CC.5)	53-55	1	
8631	Ring, Knob retaining (54300576)		1	
8632	Plate, upper contact (54300575)		1	
8895	Cover and Lower Contact Plate Assembly (54300754)		1	
8633	Medallion (54300574)		1	

ELECTRICAL EQUIPMENT

Part No.	Description	Plate No.	No. per Unit	Remarks
C.16069	DIRECTION INDICATOR/HEADLAMP FLASHER SWITCH (34361/A-37.SA)	53-56	1	
8634	Contact, Warning Light (54333162)		1	
8635	Contact Switch (54332586)		1	
7523	Spring, pawl centring (348323)		1	
7521	Fixing Clip (54330333)		1	
8637	Casing (54333059)		1	
C.14307	Cover Assembly (comprising Front and Rear Covers)		1	
C.16451	STRIKER FOR RETURN OF DIRECTION INDICATOR CONTROL TO NEUTRAL POSITION		1	
C.14007/1	Screw, Set, securing Striker		2	
C.723/A	Washer, Shakeproof, on Setscrews		2	
C.3377	Washer, Plain, under Shakeproof Washers		2	
C.16452	ELECTRIC MOTOR, DRIVING RADIATOR FAN (78378/B-3.GM)	53-57	1	
8643	Fixing Bolt (54100606)		4	
8562	Cover and Bearing, Commutator End (745768)		1	
8563	Brush Gear (54713564)		1	
8564	Armature (54711120)		1	
8565	Field Coil (54712958)		1	
8566	Bearing Bracket (54712325)		1	
8567	Dust Cover, for Bearing Bracket (54713890)		1	
C.18110	Grommet, for mounting of Fan Motor (748843)	53-58	4	
C.18123	Washer, below Grommets (134710)		4	
C.8667/17	Nut, Self-Locking, securing Fan Motor		4	
C.18111	Washer, under Nuts (131670)		4	
C.18559	THERMOSTAT, IN HEADER TANK, CONTROLLING FAN MOTOR		1	
C.2475	Gasket, under Thermostat		1	
UFS.419/3H	Screw, Set, securing Thermostat		3	
BD.5453	Fibre Washer, on Setscrews		3	
C.18916	Lucar Blade, for Cable connection to Thermostat (199279)		1	
C.18122	RELAY FOR FAN MOTOR (33232/A-6.RA)	53-59	1	Fitted from Chassis No. 850001 to 850273. 875001 to 878020. 860001 to 861186. 885001 to 886748.
UFS.119/3R	Screw, Set, securing Relay to Header Tank Bracket		2	
UFN.119/L	Nut, on Setscrews		2	
C.723/A	Washer, Shakeproof, under Nuts		2	
AW.102/T	Washer, Plain, under Shakeproof Washers		2	
C.16062	SWITCH, FOR OPERATION OF STOP LAMPS (31802/B-HL.2)	53-60	1	

ELECTRICAL EQUIPMENT

Part No.	Description	Plate No.	No. per Unit	Remarks
8575	WINDSCREEN WIPER MOTOR ASSEMBLY (75403D-DL.3)	53-61	1	R.H. DRIVE CARS ONLY.
8644	Commutator End Cover, with Bearing (743653)		1	
3509	Brush Set (729367)		1	
6551	Spring, tensioning Brushes (735631)		1	
7189	Armature (743929)		1	
8645	Coil (54713957)		1	
8646	Shaft and Gear (54713379)		1	
8643	Bolt, through fixing (54100606)		2	
8594	WINDSCREEN WIPER MOTOR ASSEMBLY (75404D-DL.3)		1	L.H. DRIVE CARS ONLY.
	For individual items, refer to Motor 8575			
BD.16718	Gasket, at Wiper mounting	53-62	1	
UFS.125/4R	Screw, Set, securing Wiper Motor		4	
C.724	Washer, Shakeproof, on Setscrews		4	
8660	Plate, securing Motor to Link Set (54711590)		1	
8661	Rubber Seal, for Plate (54711593)		1	
8670	Cover, over Cam Mechanism (54712745)		1	
8636	WINDSCREEN WIPER LINK SET (54714605-DL.3)	53-63	1	
8683	Main Link Assembly (54710388)		2	
8651	Spindle Assembly, L.H. (54710660)		1	
8652	Spindle Assembly, R.H. (54710383)		1	
8653	Spindle Assembly, centre (with switch) (54712765)		1	
8654	Contact Switch (54711260)		1	
5219	Nut, securing Spindles (153511)		3	
8655	Front Bush (745128)		3	
8656	Rubber Washer, under Front Bushes (744551)		3	
8657	Rear Bush (54710417)		3	
8658	Mounting Bracket (54710460)		3	
8659	Mounting Strip (54710461)		1	
8683	MAIN LINK ASSEMBLY (54710388)		2	
8684	Snaplock Joint (54714167)		2	
8650	Locknut (156610)		2	
8647	ROTARY LINK (54710596)		1	
8648	PRIMARY LINK (54711297)		1	
8684	Snaplock Joint (54714167)		1	
8650	Locknut (156610)		1	
8663	ARM FOR WINDSCREEN WIPER (54712032)	53-64	3	R.H. DRIVE CARS ONLY.

ELECTRICAL EQUIPMENT

Part No.	Description	Plate No.	No. per Unit	Remarks
8662	ARM FOR WINDSCREEN WIPER (54712033)		3	L.H. DRIVE CARS ONLY.
8664	BLADE FOR WINDSCREEN WIPER ARMS (54711281)	53-65	3	
C.15486	MAP LIGHT (52477/A-481)	53-66	1	
989	Bulb (989)		1	
8064	Terminal Sleeve (555910)		1	
BD.1814/2	Pop Rivet, securing Map Light		2	
C.17436	Insulator, for Map Light		1	
C.16498	INTERIOR LIGHT (56075/A-674)	53-67	1	} FITTED ONLY TO OPEN MODELS.
8602	Lens (54571954)		1	
8601	Gasket, seating Lens (54571955)		1	
8603	Base (54571956)		1	
C.9126	Bulb (382)		1	
BD.1229/10	Screw, Self-Tapping, securing Interior Light		2	
C.1094	Distance Washer, on Self-Tapping Screws		2	
C.18347	INTERIOR LIGHT (60114)	53-68	1	} FITTED ONLY TO FIXED HEAD MODELS.
BD.14049/1	Lens (01601)		1	
8703	Backplate and Bulbholder (60114/A)		1	
989	Bulb (6 watt M.B.C.) (01607)		2	
BD.540/3	Screw, Self-Tapping, securing Interior Light		2	Fitted from Chassis No. 860001 to 860478. 885001 to 886013.
BD.540/14	Screw, Self-Tapping, securing Interior Light		2	} Fitted to Chassis No. 860479 and subs. 886014 and subs.
BD.8633/4	Spire Nut, on Self-Tapping Screw		2	
C.17757	INTERIOR MIRROR ASSEMBLY	53-69	1	REQUIRED ONLY FOR OPEN MODELS.
C.17757/1	Mounting Boss, for Interior Mirror		1	
C.17757/2	Mirror Head		1	
C.18343	INTERIOR MIRROR ASSEMBLY (62572/A-608)	53-69A	1	} REQUIRED ONLY FOR FIXED HEAD MODELS from Chassis No. 860001 to 861056. 885001 to 888066.
8722	Bracket, for Mirror (59610206)		1	
BD.13642/5	Screw, Set, securing Interior Mirror		3	

ELECTRICAL EQUIPMENT

Part No.	Description	Plate No.	No. per Unit	Remarks
C.20697	INTERIOR MIRROR ASSEMBLY		1	} REQUIRED ONLY FOR FIXED HEAD MODELS at Chassis No. 861057 and subs. 888067 and subs.
C.20697;1	Base only		1	
C.16407;2	Head only		1	
C.20698	Packing , under Interior Mirror		1	
BD.13642;5	Screw , Set ($\frac{3}{8}$ " long) securing Interior Mirror		1	
BD.13642;6	Screw , Set ($\frac{3}{8}$ " long) securing Interior Mirror		2	
C.16061	BATTERY (54028639-FRV.11/7A)	53-70	1	
C.16473	BATTERY TRAY	53-71	1	
C.10640;2	DRAIN TUBE FOR BATTERY TRAY (5" LONG)	53-72	1	
C.16474	BATTERY CLAMP	53-73	1	
C.17083	Rubber Pad , under corners of Clamp		4	Fitted from Chassis No. 850001 to 850572. 875001 to 877660. 860001 to 860722. 885001 to 886381.
C.19740	Rubber Pad , under end of Clamp		2	Fitted from Chassis No. 850210 to 850572. 875761 to 877660. 860013 to 860722. 885086 to 886381. May be fitted retrospectively if desired.
C.19506	Rubber Pad , for Battery Clamp		2	Fitted to Chassis No. 850573 and subs. 877661 and subs. 860723 and subs. 886382 and subs.
C.16475	ROD, THROUGH CLAMP SECURING BATTERY	53-74	2	
C.17084	Wing Nut , on Rods	53-75	2	
FG.204;X	Washer , Spring, under Wing Nuts		2	
C.16923	BATTERY CABLE (POSITIVE TO EARTH) (810707)		1	SUPERSEDED BY C.21517.
C.21517	BATTERY CABLE (POSITIVE TO EARTH) (810708)		1	SUPERSEDES C.16923.

ELECTRICAL EQUIPMENT

Part No.	Description	Plate No.	No. per Unit	Remarks
C.16924	BATTERY CABLE (NEGATIVE) (792908)		1	
C.2609	Screw, securing Cables to Battery Posts (186111)		2	REQUIRED ONLY WHEN HOLE IN BATTERY POST IS ENLARGED.
6826	Screw (Oversize) securing Cables to Battery Posts (186114)		2	
C.16912	FORWARD HARNESS (54947485)		1	R.H. DRIVE CARS ONLY. Fitted from Chassis No. 850001 to 850273. 860001 to 861186.
C.20650	FORWARD HARNESS (54932077)		1	R.H. DRIVE CARS ONLY. Fitted to Chassis No. 850274 and subs. 861187 and subs.
C.17375	FORWARD HARNESS (54948224)		1	L.H. DRIVE CARS ONLY. Fitted from Chassis No. 875001 to 878020. 885001 to 886748.
C.20649	FORWARD HARNESS (54932078)		1	L.H. DRIVE CARS ONLY. Fitted to Chassis No. 878021 and subs. 886749 and subs.
C.16915	R.H. BODY HARNESS (54947738)		1	
C.17433	L.H. BODY HARNESS (54947737)		1	

ELECTRICAL EQUIPMENT

Part No.	Description	Plate No.	No. per Unit	Remarks
C.16913	INSTRUMENT PANEL HARNESS (54947484)		1	R.H. DRIVE CARS ONLY.
C.16914	INSTRUMENT PANEL HARNESS (54948219)		1	L.H. DRIVE CARS ONLY.
ELECTRICAL CABLES				
C.16911	Cable, Front Lamp connector (54947487)		1	Fitted from Chassis No. 850001 to 850499. 875001 to 877154. 860001 to 860435. 885001 to 885970.
C.20332	Cable, Front Lamp connector (54931440)		1	Fitted to Chassis No. 850500 and subs. 877155 and subs. 860436 and subs. 885971 and subs.
C.16917	Cable, Rev. Counter and Instrument Light connector (54947491)		1	
C.16920	Cable, Fluid Level Warning Light connector (54947480)		1	R.H. DRIVE CARS ONLY.
C.16922	Cable, Instrument Link (54947489)		1	
C.16925	Cable, Solenoid to Starter (54947496)		1	
C.18121	Cable, Radiator Fan Motor connector (54948340)		1	
C.17356	Cable, R.H. Sidelamp connector (54947494)		1	
C.17357	Cable, L.H. Sidelamp connector (54947495)		1	
C.17376	Cable, Heater Motor connector (54947486)		1	
C.17474	Cable, Interior Light connector (54948356)		1	OPEN CARS ONLY.
C.17475	Cable, Interior Light connector (54948216)		1	FIXED HEAD CARS ONLY.
C.18725	Cable, Reverse Lamp Switch connector (54949135)		1	
C.18728	Cable, Reverse Lamp connector (54949136)		1	
C.18982	Cable, Sidelamps Warning Light connector (54949797)		1	REQUIRED FOR ITALY ONLY.
C.21141	Cable, Starter Switch connector (54933183)		1	
C.20241	Cable, Steering Column Lock Connector to Instrument Panel Wiring		1	GERMANY ONLY. Fitted from Chassis No. 876665 to 878036. 885567 to 886753.
				IF REQUIRED Fitted to Chassis No. 850588 and subs. 878037 and subs. 860863 and subs. 886754 and subs.
C.16921	CONNECTOR (8-PIN MALE) FOR FRONT LAMP HARNESS (54947492)		1	
C.16997	Fixing Plate Assembly, for Male Connector		1	
UFS.125/3R	Screw, Set, securing Connector to Bonnet Diaphragm		3	
C.724	Washer, Shakeproof, on Setscrews		3	
C.17003	Washer (Sorbo) at Connector mounting		1	
C.18175	Washer (Hard Rubber) at Connector mounting		1	

ELECTRICAL EQUIPMENT

Part No.	Description	Plate No.	No. per Unit	Remarks
EARTH CABLES				
C.16919	Earth Cable , from Engine to Body (54947493)		1	
C.16916	Earth Cable , for Instrument Panel (54947490)		1	
C.18699	Earth Cable , for Cigar Lighter		1	FOR USE WITH CIGAR LIGHTER C.18638.
C.18288	Earth Cable , for Control Box (54949797)		1	Fitted to Chassis No. 850092 and subs. 875386 and subs. 860005 and subs. 885021 and subs.
EARTH CONNECTIONS AND FIXINGS				
C.15789	Lucar Blade , for Earth connection of Instrument Panel, Screen Washer, Screen Wiper and Brake Fluid Level Warning Light (54190038)		6	
C.5204	Earth Terminal , for Front Lamp Harness (860019)		2	
UFS.137/4R	Screw , Set, securing Battery Earth Cable		1	
UFN.137/L	Nut , on Setscrew		1	
FW.106/T	Washer , Plain, at Earth fixing		1	
C.726	Washer , Shakeproof, at Earth fixings		2	
UFS.419/3H	Screw , Set, securing Wiper Earth Connection		1	
UFS.419/4H	Screw , Set, securing Rear Lamp earth		2	
UFN.119/L	Nut , on Setscrews		2	
C.723/A	Washer , Shakeproof, under Nuts		2	
CABLE SLEEVES				
C.2783	Sleeve , for Headlamp Cables (859300)		1	
C.18718	Sleeve , for Petrol Pump Harness		1	
RUBBER GROMMETS				
C.2706	Grommet , for Interior Light Door Switch Cables, Screen Washer Tube, Headlamp Cable, Speedo Cable and Screen Wiper Park Cable (859059)	See remarks		9 required for L.H. Drive Cars. 7 required for R.H. Drive Cars.
C.2706	Grommet , for Body Harness through Boot Front Panel (859059)		2	OPEN CARS ONLY.
C.1426	Grommet , for Forward Harness through Dash (858066)		1	
C.2850	Grommet , for Heater Control Cables through Bulkhead and Reverse Lamp (859341)		5	
C.975	Grommet , for Body Harness and Number Plate Lamp Harness (54190324)		4	OPEN CARS ONLY.
C.975	Grommet , for Number Plate Lamp Harness (54190324)		2	FIXED HEAD CARS ONLY.
C.976	Grommet , for Speedo Cable through Inner Dash (858064)		1	OPEN CARS ONLY.
C.976	Grommet , for Speedo Cable through Inner Dash and for Body Harness in Rear Quarters (858064)		3	FIXED HEAD CARS ONLY.
C.977	Grommet , for Body Harness through wheel arch Diaphragms (858065)		2	FIXED HEAD CARS ONLY.
C.977	Grommet , for Number Plate Lamp Harness (858065)		2	OPEN CARS ONLY.
C.17432	Grommet , for Handbrake and Speedo Cables (836123)	See remarks		1 required for L.H. Drive Cars. 2 required for R.H. Drive Cars.
BD.11524	Grommet , for Fluid Level Warning Light Harness and Choke Control Cable	See remarks		2 required for R.H. Drive Cars. 1 required for L.H. Drive Cars.
C.8016	Grommet , for Fan Motor Harness		1	

ELECTRICAL EQUIPMENT

Part No.	Description	Plate No.	No. per Unit	Remarks
RUBBER PLUGS AND BOOTS				
C.4650	Rubber Boot , on Starter Motor and Solenoid Terminals (858266)		3	
C.5648	Rubber Plug , sealing hole for Screen Washer tubing		1	
C.5648	Rubber Plug , sealing hole for Speedo Cable		1	R.H. DRIVE CARS ONLY.
BD.14771	Rubber Plug , sealing hole for Speedo Cable		1	L.H. DRIVE CARS ONLY.
BD.4616	Rubber Plug , sealing hole for Brake Fluid Level Warning Light Harness		1	L.H. DRIVE CARS ONLY.
CABLE STRAPPING				
C.17001	Plastic Strapping , securing Cables, etc., to Front Frame		1	
C.17002	Stud , for Strapping		42	
CABLE CLIPS AND FIXINGS				
C.1040/1	Clip , securing Front Lamp Harness to Bonnet Sides (187079)		5	
C.1040/2	Clip , securing Forward Harness to Front Frame (187081)		1	
C.1040/2	Clip , securing Rear Lamp Harness (187081)		2	OPEN CARS ONLY.
C.1040/4	Clip , securing Forward Harness and Vacuum Hose (187085)		See remarks	1 required for R.H. Drive Cars.
C.1040/5	Clip , securing Forward Harness at Heater Bracket (187044)		1	4 required for L.H. Drive Cars.
C.1040/8	Clip , securing Reversing Lamp Harness and Speedo Cable (187047)		See remarks	1 required for R.H. Drive Cars.
C.1040/9	Clip , securing Petrol Pipe to Frame, Rear Lamp Harness in Boot, Front Lamp Harness to R.H. side of Bonnet and R.H. Body Harness to Pedal Housing (187052)		6	2 required for L.H. Drive Cars.
C.1040/12	Clip , securing Petrol Pipe to Reservac Tank (187042)		1	
C.1040/13	Clip , securing Hydraulic Pipes to Toe Board (851536)		1	
C.1040/13	Clip , securing Brake Fluid Level Warning Light Harness to Bulkhead (851536)		1	R.H. DRIVE CARS ONLY.
C.1040/14	Clip , securing Screen Washer Harness to Bulkhead and Side Lamp Harness to Bonnet (900402)		6	
C.1040/16	Clip , securing Panel Harness to Instrument Panel and Forward Harness to Pedal Housing (187005)		3	
C.1040/17	Clip , securing Rear Lamp Harness at L.H. side of Boot (187048)		1	
C.1040/18	Clip , securing Headlamp Harness to Bonnet sides (850358)		2	
C.1040/20	Clip , securing Radiator Duct Shield to Front Sub-Frame (187034)		3	
C.1040/24	Clip , securing Clutch Pipes and Vacuum Flexible Hose		See remarks	1 required for R.H. Drive Cars.
C.18410	Clip , securing Forward Harness to Bonnet		1	2 required for L.H. Drive Cars.
C.18128	Clip , securing Speedo Cable		1	L.H. DRIVE CARS ONLY.
C.17410	Clip , securing Speedo Cable		1	
UFS.131/4R	Screw , Set, securing Clip		1	} R.H. DRIVE CARS ONLY.
UFN.131/L	Nut , on Setscrew		1	
C.725	Washer , Shakeproof, under Nut		1	

ELECTRICAL EQUIPMENT

Part No.	Description	Plate No.	No. per Unit	Remarks
CABLE CLIPS AND FIXINGS				
<i>(continued)</i>				
UFS.419/4H	Screw, Set, securing Harness Clips to Bonnet		8	
UFN.119/L	Nut, on Setscrews		8	
C.723/A	Washer, Shakeproof, under Nuts		8	
UFS.119/3R	Screw, Set, securing Body Harness Clip to Pedal Housing		1	
UFN.119/L	Nut, on Setscrew		1	
C.723/A	Washer, Shakeproof, under Nut		1	
UFS.413/4H	Screw, Set, securing Rear Lamp Harness Clips in Boot		4	
UFN.113/L	Nut, on Setscrews		4	
C.721	Washer, Shakeproof, under Nuts		4	
BD.711/12	Screw, Self-Tapping, securing Fluid Level Warning Light Harness Clips to Bulkhead		1	R.H. DRIVE CARS ONLY.

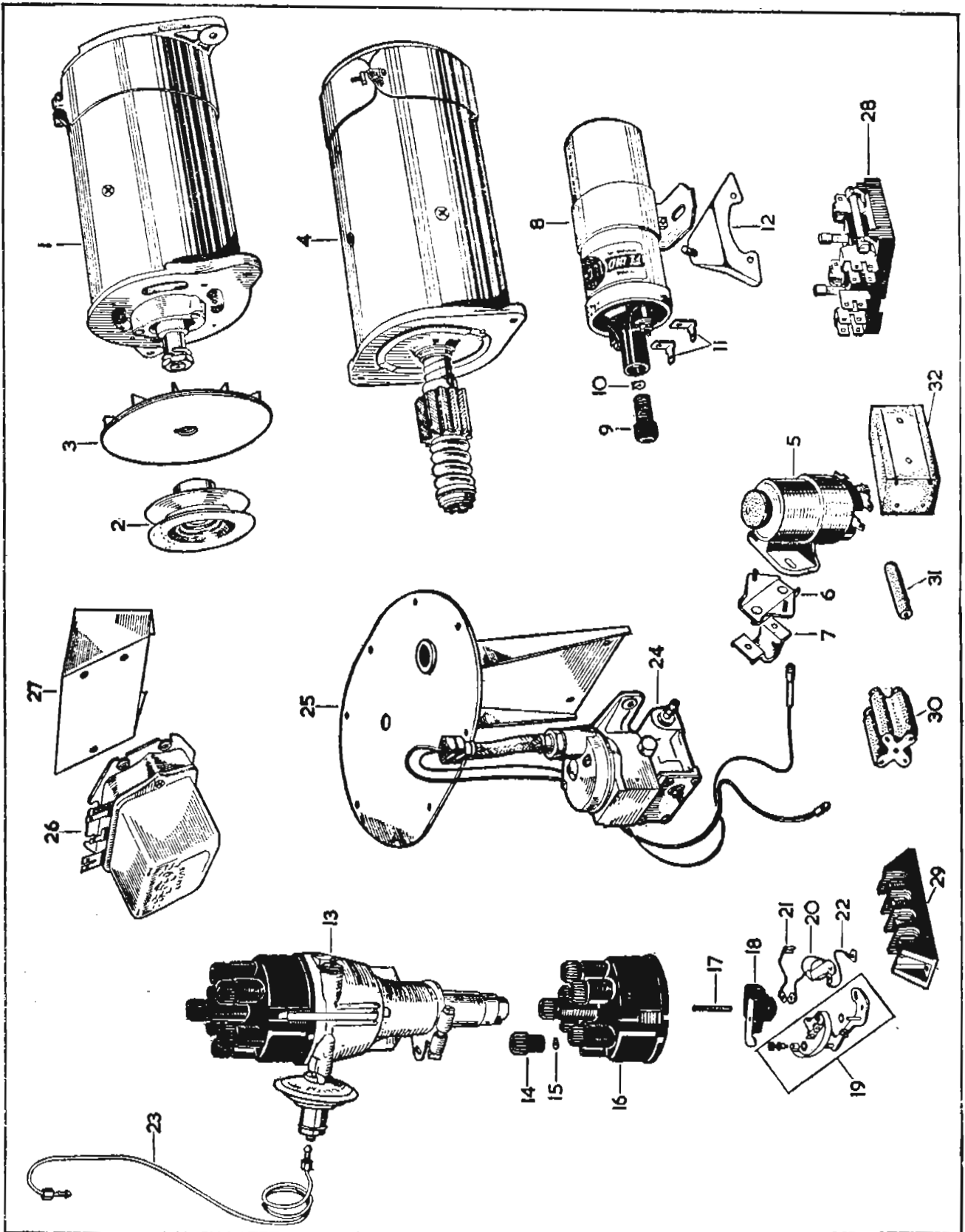


PLATE 51

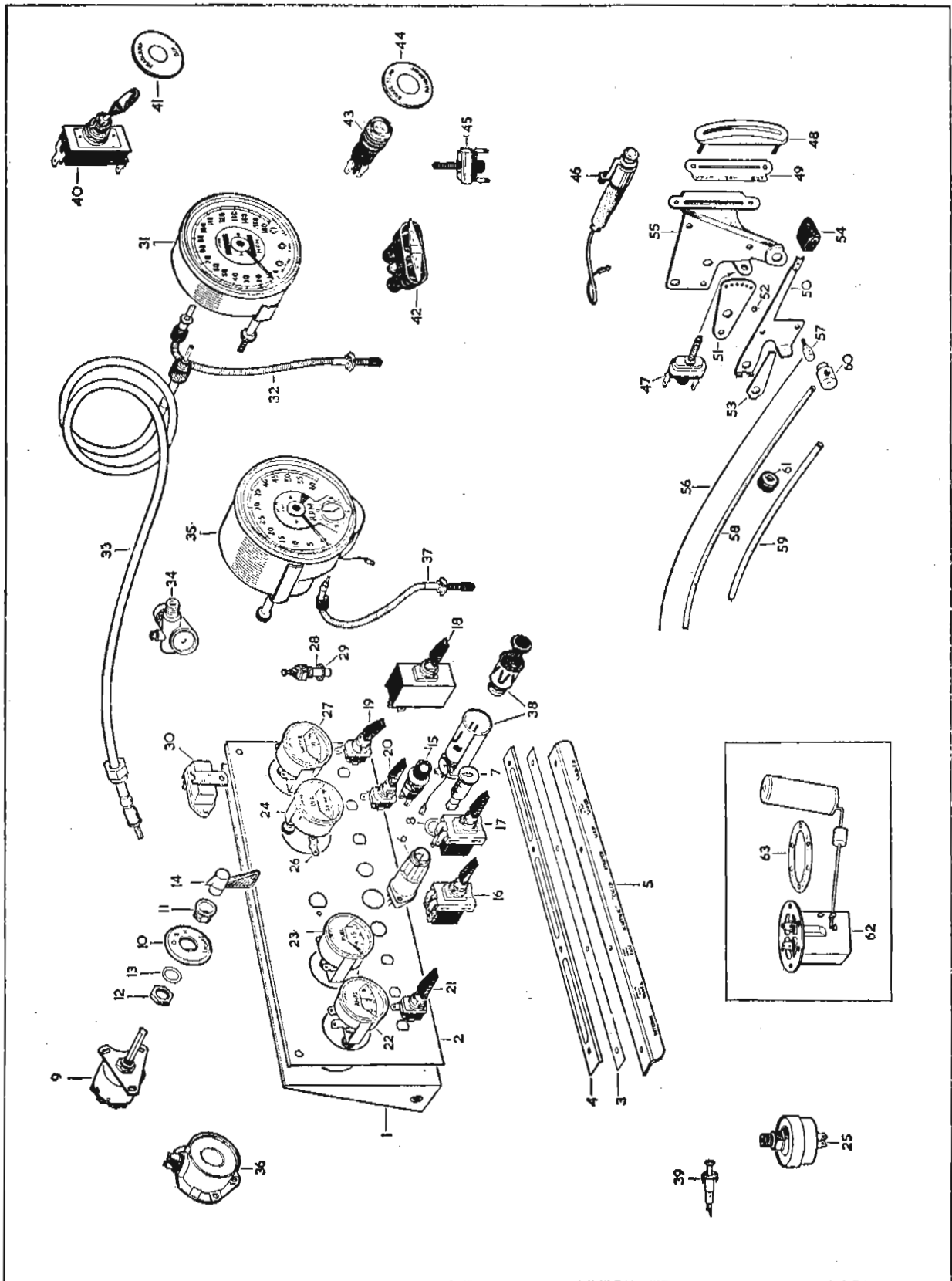


PLATE 52

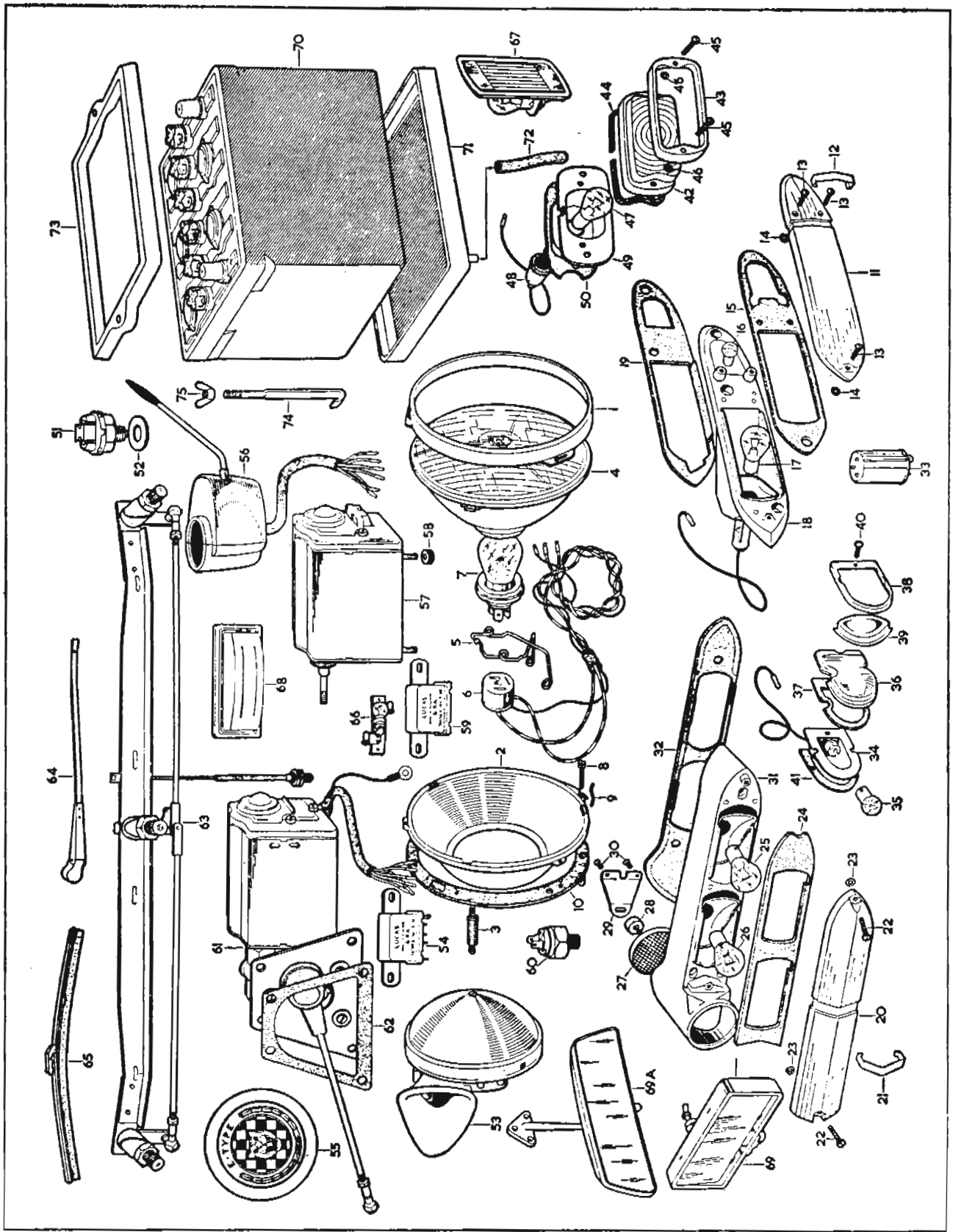


PLATE 53

WINDSCREEN WASHER

Part No.	Description	Plate No.	No. per Unit	Remarks
C.17004	WINDSCREEN WASHER UNIT COMPLETE WITH TUBES, 'T' PIECE AND JETS (54071196-2.SJ)		1	
8408	Motor, complete with Coupling (54711928)	54- 1	1	
8035	Pump Assembly (295194)	54- 2	1	
8036	Moulded Cover, for Reservoir (295138)	54- 3	1	
8037	Rubber Gasket, between Cover and Reservoir (295042)	54- 4	1	
8038	Rubber Filler Cap, in Cover (295043)	54- 5	1	
8039	Union, securing Motor to Pump (54715154)	54- 6	1	
8040	Glass Reservoir (295058)	54- 7	1	
8041	Bracket, holding Reservoir (295061)	54- 8	1	
UFS.419/8H	Screw, Set, securing Windscreen Washer Bracket to Dash		3	
C.723/A	Washer, Shakeproof, on Setscrews		3	
BD.18957/1	Distance Piece, on Setscrews		3	
UFS.419/3H	Screw, Set, sealing redundant mounting holes		3	
8408	MOTOR COMPLETE WITH COUPLING (54711928)	54- 1	1	
8042	Contact Assembly, complete with Adjusting Screw		1	
8043	Brush Set (295198)		1	
8044	Armature (295023)		1	
8990	Lucar Connector (54190172)		3	
C.15643/1	SCREEN WASHER TUBE (70" LONG)	54- 9	1	
C.15644	'T' PIECE AT JUNCTION OF FLUID TUBES (295091)	54-10	1	
C.15645	JET ASSEMBLY (54711657)	54-11	2	

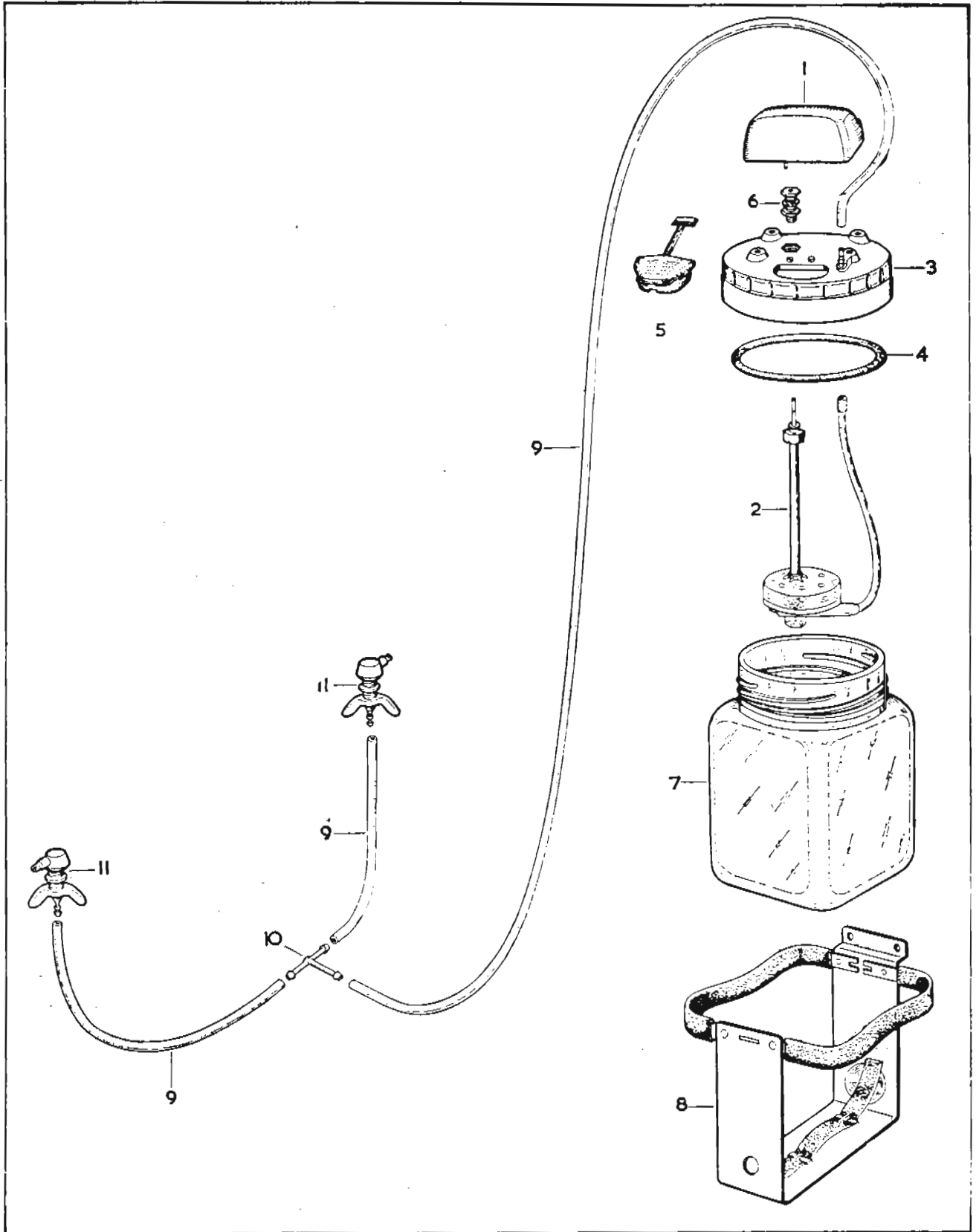


PLATE 54

OPTIONAL EXTRAS

Part No.	Description	Plate No.	No. per Unit	Remarks
C.17632	CAR RADIO ASSEMBLY (MKJA.09-500.TB)		1	LONG AND MEDIUM WAVEBANDS ONLY.
8264	Control Unit (500.T)		1	
8267	Amplifier Unit (RMH.98200/B)		1	
8673	Aerial (AVV.606/60)		1	
8519	Aerial Bracket (RMO.3449/E)		1	
8674	Bracket, mounting Amplifier Unit (RMO.3320/K)		2	
8523	Loudspeaker (RMO.3776)		2	
8524	Loudspeaker Lead (RMR.2056/12)		1	
8525	Loudspeaker Lead (RMR.2081/48)		1	
8675	Link Cable (RMR.2010/48)		1	
8542	Battery Lead (RMR.2069/6)		1	
8676	Jumper Lead (RMR.2033/48)		1	
8677	Cover, for Transistor (RMO.3743)		2	
8274	Fuse (3 amp.) (RMH.38825/F)		1	
8272	Sleeve, for Fuse (RMO.3383)		1	
8628	Condenser, for Coil (RMO.1A/T.11)		1	
8629	Condenser, for Dynamo (RMO.1A/T.12)		1	
8678	Condenser, for Oil Pressure Gauge Electric Element (RMO.1W/T.1)		1	
C.17633	CAR RADIO ASSEMBLY (MKJA.09-502.TB)		1	MEDIUM WAVEBAND ONLY.
8265	Control Unit (502.T)		1	
	All other items are as for Car Radio C.17632			
C.17634	CAR RADIO ASSEMBLY (MKJA.09-230.RB)		1	MEDIUM AND SHORT WAVEBANDS ONLY.
8266	Control Unit (230.R/VCO)		1	
C.12687	Amplifier Unit (RMH.92450/RB)		1	
8489	Bracket, mounting Amplifier Unit (RMO.3451/BA)		1	
8511	Cover, for Amplifier Unit (RMO.3486/BA)		1	
8673	Aerial (AVV.606/60)		1	
8519	Aerial Bracket (RMO.3449/E)		1	
8523	Loudspeaker (RMO.3776)		2	
8524	Loudspeaker Lead (RMR.2056/12)		1	
C.8525	Loudspeaker Lead (RMR.2081/48)		1	
8526	Loom Assembly (RMR.3597)		1	
8542	Battery Lead (RMR.2069/6)		1	
5241	Fuse, 5 amp. (RMH.38825/G)		1	
8272	Sleeve, for Fuse (RMO.3383)		1	
8628	Condenser, for Coil (RMO.1A/T.11)		1	
8629	Condenser, for Dynamo and "D" Terminal on Control Box (RMO.1A/T.12)		2	
C.5367	Condenser, for Oil Pressure Gauge Electric Element (RMO.1W/T.1)		1	
C.8630	Condenser, for Control Box		1	
C.16114	WING MIRROR		2	SUPERSEDED BY C.19909.
C.19909	WING MIRROR (MAGNATEX M2VC/6C)		2	SUPERSEDES C.16114.

OPTIONAL EXTRAS

Part No.	Description	Plate No.	No. per Unit	Remarks
C.12816	PETROL FILLER CAP (LOCKING TYPE) (WB.7/8653)		1	
9212	FRONT SEAT SAFETY BELT (LAP/DIAGONAL FITTING) COMPLETE WITH ATTACHMENT BOLTS AND EYE BOLTS		2	Fitted from Chassis No. 850301 and subs. 876359 and subs. 860113 and subs. 885318 and subs.
9213	REAR SEAT SAFETY BELT (DIAGONAL FITTING) COMPLETE WITH ATTACHMENT BOLTS AND EYE BOLTS		2	
BD.22629	GLASS IN BOOT LID (CLEAR GLASS)		1	FOR USE WITH ELECTRICALLY HEATED BACK LIGHT FOR FIXED HEAD COUPE CARS from Chassis No. 860001 to 860478. 885001 to 886013.
BD.22741	GLASS IN BOOT LID ("SUNDYM" GLASS) ALTERNATIVE TO BD.22629.		1	
BD.22740	GLASS IN BOOT LID (CLEAR GLASS)		1	FOR USE WITH ELECTRICALLY HEATED BACK LIGHT FOR FIXED HEAD COUPE CARS from Chassis No. 860479 and subs. 886014 and subs.
BD.22744	GLASS IN BOOT LID ("SUNDYM" GLASS) ALTERNATIVE TO BD.22740.		1	
C.20124	Fuse Connector		1	FOR USE WITH ELECTRICALLY HEATED BACKLIGHT.
C.20123	Backlight Connector		1	
C.15639	Grommet		2	
C.18341	Grommet		3	
BD.22655	Clip, for Fuse Connector		1	
BD.711/5	Screw, securing Clip		1	
C.20081	Sail Eyelet, and Ring		1	
C.17001	P.V.C. Strap, holding Cables (3½" long)		2	
C.17002	Stud, for Straps		2	

