

Flying Spares

Rolls-Royce & Bentley Parts Specialists

1955 - 1965

Rolls-Royce Silver Cloud I/II/III
Bentley S1/S2/S3
& all Coachbuilt derivatives

PARTS LIST

Tel : 01455 292949
www.flyingsparses.com

Index

	PAGE
INTRODUCTION	2
KEY TO PARTS LIST	4
ACCESSORIES	5
BODY	6
BODY REPAIR PANELS	20
BRAKES	26
COOLING SYSTEM	42
ELECTRICAL	55
ENGINE	70
EXHAUST	95
FUEL SYSTEM	104
GEARBOX	130
HEATER SYSTEM	138
IGNITION	145
INSTRUMENTS	150
PROPSHAFT	155
SERVICE ITEMS	160
STEERING	162
SUSPENSION - FRONT	210
SUSPENSION - REAR	222
TRANSMISSION	227
WHEELS & TYRES	229
TERMS & CONDITIONS	230
TABLE OF CONTENTS	231

UP TO DATE PRICES CAN BE OBTAINED FROM OUR WEBSITE

www.flyingspares.com

INTRODUCTION

Ben and Lucy Handford founded Flying Spares in 1995. The company had a modest start, run from a mobile office and a single storage container. From the very beginning the aim of Flying Spares has remained consistent - to offer garages and owners of post-1945 Rolls-Royce and Bentley vehicles the widest range of parts, promptly and without compromising on quality.

Over the years the business has grown steadily, to the point where we now employ more than thirty staff and occupy premises large enough to house our enormous stock.

In our early days we developed a reputation for recycling cars and supplying second hand parts. We still maintain a huge stock of second hand parts and continue to regularly recycle cars and recondition parts in-house; however the supply of new parts has now become the major part of our business.

At Flying Spares we pride ourselves on being able to offer customers the widest choice of parts to suit every budget and every condition of car. Our customers are offered the choice of:

New Genuine Parts

OEM parts supply comes from Crewe under the "Crewe Genuine" trademark.

As one of Bentley's highest spending customers we are able to negotiate good discounts which we endeavour to pass on to our customers.

Parts in this catalogue without a suffix are genuine Bentley Motors parts. For example RG6780.

New Aftermarket Parts

An aftermarket (or pattern) part will be identified as such by the use of a 'P' after the part number. For example RG6780P. Typically an aftermarket part will be:

1. Exactly the same as the OEM part but not sourced from Bentley.
2. Made to exactly the same (or higher) specification than the OEM part but not sourced from Bentley.
3. A part similar to the original which acts as a suitable alternative to the original.

Reconditioned Parts

All of our reconditioned parts carry a minimum 12 month warranty and are overhauled by specialists in their field. Typically a reconditioned part will be sold on an exchange basis so a core unit surcharge will apply.

Reconditioned parts are identified by the addition of an 'R' or 'SXR' after the part number. For example RG6780SXR.

Recycled Parts

We continue to dismantle cars in order to ensure the continued availability of obsolete and highly priced parts. All of our used parts carry a 3 month warranty.

Used parts are identified by a 'U' at the end of the part number. For example RG6780U.

Cars that we are currently recycling or have recently recycled are available to view on our website.

TELEPHONE : 01455 292949 - FAX : 01455 292959 - EMAIL : sales@flyingspares.co.uk

WEBSITE : www.flyingspares.com

PARTS LISTS



**This parts list is one of a series -
please contact us if you would like a
FREE copy of any additional titles**

**Catalogues for cars from 1998 onwards
are available on our website**

SERVICING, REPAIR & RESTORATION

We have a large database of independent RR & Bentley specialist workshops.

Please feel free to call us for details of the nearest one to you.

TELEPHONE : 01455 292949 - FAX : 01455 292959 - EMAIL : sales@flyingspares.co.uk

WEBSITE : www.flyingspares.com

KEY APPLICABLE TO PARTS LIST

KEY	DESCRIPTION
SERIES 1	BENTLEY S1 & ROLLS-ROYCE SILVER CLOUD I
SERIES 2	BENTLEY S2 & ROLLS-ROYCE SILVER CLOUD II
SERIES 3	BENTLEY S3 & ROLLS-ROYCE SILVER CLOUD III


RHD	SUITABLE FOR RIGHT HAND DRIVE VEHICLE
LHD	SUITABLE FOR LEFT HAND DRIVE VEHICLE
RHF	RIGHT HAND FRONT
LHF	LEFT HAND FRONT
RHR	RIGHT HAND REAR
LHR	LEFT HAND REAR
STD	STANDARD BODIED CARS

PART NUMBER SUFFIX:

NO SUFFIX	GENUINE ROLLS-ROYCE / BENTLEY MANUFACTURED PART
P	PATTERN PART
U	USED PART
SXU	USED PART SOLD ON AN EXCHANGE BASIS
R/SXR	RECONDITIONED PART SOLD ON AN EXCHANGE BASIS

***** ALL PRICES QUOTED ARE EXCLUSIVE OF V.A.T. & CARRIAGE *****

ENTER YOUR VEHICLE DETAILS HERE FOR EASY REFERENCE

 CUSTOMER REFERENCE	
MODEL	
YEAR OF MANUFACTURE	
CHASSIS/VIN No	
BODY NUMBER	
BODY COLOUR/CODE	
INTERIOR TRIM CODE	

TELEPHONE : 01455 292949 - FAX : 01455 292959 - EMAIL : sales@flyingspares.co.uk

WEBSITE : www.flyingspares.com

ACCESSORIES

TAX DISC HOLDERS

RR TAX DISC HOLDER	UB16391
BENTLEY TAX DISC HOLDER	UB16392

CAR COVERS

OUTDOOR CAR COVER	CARCOVER
-------------------	----------

KEY RINGS, COASTERS & PARKING SIGNS

RR KEY RING	RGC010
BENTLEY KEY RING	BYS008
RR COASTER	FS38
BENTLEY COASTER	FS39
RR PARKING SIGN (Small)	FS6
RR PARKING SIGN (Large)	FS10
BENTLEY PARKING SIGN (Small)	FS7
BENTLEY PARKING SIGN (Large)	FS15

VALVE CAPS

RR VALVE CAPS	RH20589
BENTLEY VALVE CAPS (Silver B / black background)	RH20791
BENTLEY VALVE CAPS (Silver B / red background)	RH20590
BENTLEY VALVE CAPS (Silver B / blue background)	RH20792
BENTLEY VALVE CAPS (Silver B / green background)	PY112212PA
BENTLEY VALVE CAPS (Gold B / red background)	RH30053

LEATHERCARE & INTERIOR TRIM

LEATHER COLOUR KIT	CONNOLLYKIT
GLIPTONE LEATHER CONDITIONER	GT11
GLIPTONE LEATHER CLEANER	GT12
JAR OF HIDE FOOD	RH503

CARPETS & RUGS

LAMBSWOOL OVER-RUGS (We can supply individual or sets of lambswool rugs. Please contact us with your requirements)	RUGS
WILTON CARPETS (We can supply leather bound, Wilton floor carpets. Please contact us with your requirements)	CARPET

BODY MOUNTS - STANDARD BODIED CARS

CENTRE & REAR BODY MOUNT

CENTRE BODY MOUNT (2 per car)	UR985
RUBBER INSERT (Centre mounting body mount - 2 per car)	UR985RUB
CENTRE REAR MOUNTING BRACKET (1 per car)	UR984

NUMBER 1 BODY MOUNT

BODY MOUNTING RUBBER (For number 1 bracket - 4 rubbers per car)	UR3376
BODY MOUNTING RUBBER (For number 2 & 4 brackets - 8 rubbers per car)	UR2338
BOLT (3.250" long - number 1 body mounting bracket)	UA223ZP
WASHER (Number 1 body mounting bracket main bolt)	UR8746
SPACING FLANGE (Number 1 body mounting bracket main bolt)	UR2652
DISTANCE TUBE (Number 1 body mounting bracket main bolt)	UR3377
DISTANCE TUBE (Early Series 1 - Number 1 body mounting bracket main bolt)	UR2872
SHIM WASHER 0.092" THICK (Number 1 body mounting bracket main bolt)	UR2869
THICK WASHER (Number 1 body mounting bracket main bolt & Steering box bearing housing)	UA6104ZP
NUT	RE22428P
LH NO.1 BODY MOUNTING BRACKET	UR3378
RH NO.1 BODY MOUNTING BRACKET	UR3379
BOLT (0.250 UNF x 0.625" long)	UT13203PA
WASHER	UA6102ZPP
NUT	UA301ZP

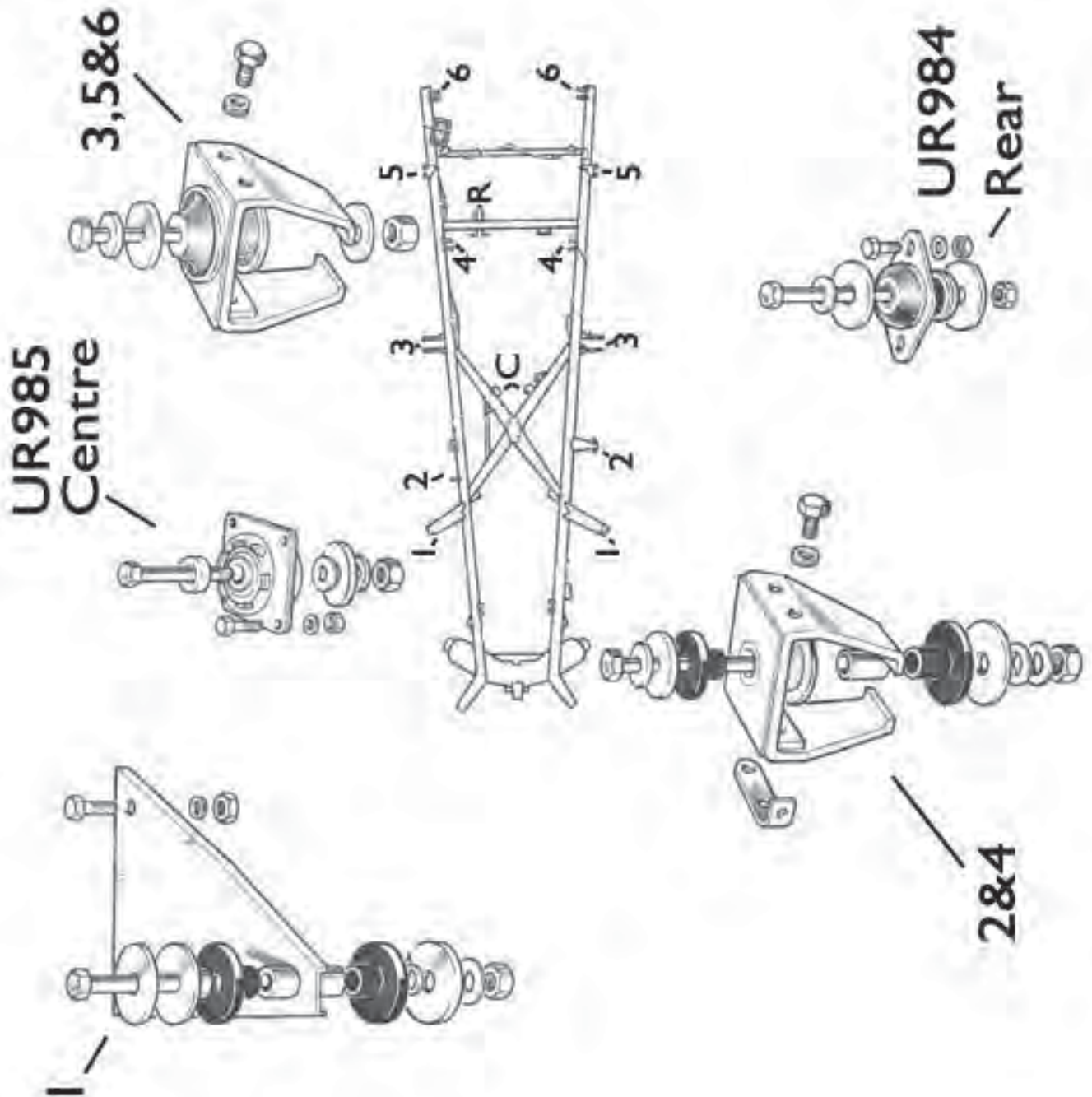
NUMBER 2 & 4 BODY MOUNT

NO.2 & 4 BODY MOUNTING BRACKETS	UR1623U
BODY MOUNTING RUBBER (For number 2 & 4 brackets - 8 rubbers per car)	UR2338

NUMBER 3,5 & 6 BODY MOUNT

NO.3, 5 & 6 BODY MOUNTING BRACKET	UR1622U
RUBBER INSERT (For body mounts 3,5 & 6 - 6 per car)	UR1622RUB

BODY MOUNTS - STANDARD BODIED CARS



BODY SEALS

DOOR SEALS

DOOR SEAL (Per metre - 4.1m required per door)	RH8600P
DOOR SEAL (Outer frame to drop glass - 2 metre length)	UW2120P
QUARTER LIGHT SEAL RH	UB2224P
QUARTER LIGHT SEAL LH	UB2223P
DOOR TO FRAME SEAL (Per Door)	UB17748P
DROP GLASS CHANNEL SEAL (Per metre)	UB30149P
DOOR CAPPING FELT SEAL	UW1557P
FRONT DOOR DROP GLASS FELT (UW2120) & RETAINING PLATE ASSEMBLY	RB2534ASSY
REAR DOOR DROP GLASS FELT (UW2120) & RETAINING PLATE ASSEMBLY	RB2534REAR
PAIR OF FRONT DOOR RUBBER SEALING BLOCKS	UB1356-60P
DROP GLASS CHANNEL SEAL (For top of door frame)	UB2382

LAMP SEALS

HEADLAMP SEAL (Single headlamp to bezel)	CD405P
HEADLAMP CHROME RETAINING RING	CD3103
HEADLAMP BEZEL SEAL (Single headlamp to wing)	CD548P
HEADLAMP SEAL (Twin headlamp to rim)	UD11630
HEADLAMP SEAL (Twin headlamp bowl to wing)	CD3109P
SIDELAMP SEAL (Series 1 & 2)	CD549SA2
SEAL FRONT SIDELIGHT LENSES (Series 3)	CD3116P
INDICATOR/ SIDELAMP TO WING GASKET (Series 3)	CD4861P
REVERSE / NUMBER PLATE LAMP SEAL	CD2245P
REAR LAMP TO BODY SEAL (Single lens lamp)	CD384P
REAR LAMP TO BODY SEAL (Double lens lamp)	CD2270P

BODY SEALS

GENERAL BODY SEALS

BOOT / TRUNK SEAL	UB1289P
BOOT HANDLE SEAL KIT (Early Series 1)	UB1745P
BOOT HANDLE SEALING RING	UB3984
BOOT HANDLE SEAL KIT (Later Series 1 & all Series 2 & 3 models)	UB3984P
REAR NUMBER PLATE SEAL	UD1898P
REAR FAIRING TO BUMPER SEAL	UB1161P
PETROL FILLER FLAP SEAL	UB5344
BONNET WEBBING (Per metre)	UB1890P
AIR INTAKE SEAL (Front wing)	UB1561P
GRILLE TO WING SEAL (Per metre)	UE1171P
AERIAL SEAL	CD123P
FRONT WING TO APRON PANEL SEAL	UB2014P
SEAL (Fuel filler tube to body)	RB2557P
SEAL (For twin headlamp bezel UB5303 - 1 metre length)	UB5178

SEALS FOR PHANTOM V & VI AND COACHBUILT MODELS

BOOT / TRUNK SEAL	UB1289P
-------------------	---------

BRIGHTWORK

PILLAR MOULDINGS

A POST MOULDING RH	UB1057P
A POST MOULDING LH	UB1058P
B POST MOULDING	UB1059P
D POST MOULDING RH	UB1063P
D POST MOULDING LH	UB1062P

DOOR MOULDINGS - EARLY SERIES 1 MODELS

DOOR HANDLE	UB1866
RH FRONT DOOR CHROME STRIP (825mm)	UB1056
LH FRONT DOOR CHROME STRIP (825mm)	UB1066R
RHF DOOR HANDLE ESCUTCHEON	UB1055
LHF DOOR HANDLE ESCUTCHEON	UB1054
MAIN SWB REAR DOOR MOULDING (705mm)	UB1064R
DOOR MOULDING BEHIND REAR HANDLE RH	UB1060
DOOR MOULDING BEHIND REAR HANDLE LH	UB1061
MOULDING CLIP	UB1573

DOOR MOULDINGS - LATE SERIES 1, SERIES 2 & 3 MODELS

RH FRONT DOOR CHROME STRIP (815mm)	UB2370R
LH FRONT DOOR CHROME STRIP (815mm)	UB2369R
RH FRONT DOOR HANDLE ESCUTCHEON	UB2360R
LH FRONT DOOR HANDLE ESCUTCHEON	UB2361
MAIN SWB REAR DOOR MOULDING (696mm)	UB2371R
MAIN LWB REAR DOOR MOULDING (815mm)	UB2469
RH REAR DOOR HANDLE ESCUTCHEON	UB2358
LH REAR DOOR HANDLE ESCUTCHEON	UB2359
EXTERIOR DOOR HANDLE	UB2196SXR
EXTERIOR DOOR HANDLE	UB2196U
MOULDING CLIP	UB1573

BRIGHTWORK

SILL & BONNET MOULDINGS

RH SILL MOULDING	UB1162
LH SILL MOULDING	UB1163
SILL STRIP LWB RH	UB2434
SILL STRIP LWB LH	UB2435
BONNET MOULDING	UR5779
SCUTTLE MOULDING	UE1747P

HANDLES

BOOT HANDLE (Early Series 1)	UB1014U
BOOT HANDLE (Late Series 1 and all Series 2 & 3 models)	UB2575R
DOOR HANDLE (Early Series 1 models)	UB1866
EXTERIOR DOOR HANDLE	UB2196U
INTERNAL DOOR HANDLE	RB2418U
INTERIOR WINDOW WINDER HANDLE	UB2660U
DASH HANDLE	UB1016U

FRONT WING AIR INTAKE (SNOWPACK) & HEADLAMP BEZEL

SNOW PACK	UB3556
SNOW PACK	UB3556U
SNOW PACK RETAINING SPRING CLIP (Series 1 models)	UB1559
SNOW PACK RETAINING SPRING CLIP (Series 2 models onwards)	UB3560
AIR INTAKE SEAL (Front wing)	UB1561P
CHROME BEZEL (Twin headlamps - Series 3 models)	UB5303
CHROME BEZEL (Twin headlamps - Series 3 models)	UB5303R
CHROME BEZEL (Twin headlamps - Series 3 models)	UB5303U
SEAL (For twin headlamp bezel UB5303 - 1 metre length)	UB5178
RH CHROME BEZEL (Twin headlamps - Chinese Eye models)	728/1011U
LH CHROME BEZEL (Twin headlamps - Chinese Eye models)	727-1011U
HEADLAMP CHROME RETAINING RING	CD3103

FRONT BUMPER

FRONT BUMPER - SERIES 1 & 2 MODELS

FRONT BUMPER ASSEMBLY (Stainless steel - Series 1 & 2 models)	UR2748P
FRONT BUMPER BAR (Series 1 & 2 models)	UR3093SXR
FRONT SWAN-NECK OVERRIDER	UR570
FRONT SWAN-NECK OVERRIDER	UR570SXR
FRONT NUMBER PLATE HOLDER	UR1333P
BADGE BAR	UB1768P
BADGE BAR CLIP	BADGEBARCLIPS
OVERRIDER SEAL (Per metre)	UR8130P
OVERRIDER PACKING BLOCK	UR1335U
OVERRIDER BOLT	UR1342U

FRONT BUMPER - SERIES 3 MODELS

FRONT BUMPER BAR (Series 3 models)	UR5441SXR
OVERRIDER RH FRONT / LH REAR	UR5393
OVERRIDER SEAL (Per metre)	UR8130P
OVERRIDER RH FRONT / LH REAR	UR5393SXR
OVERRIDER RH FRONT / LH REAR	UR5393P
OVERRIDER LH FRONT/RH REAR	UR5392
OVERRIDER LH FRONT/RH REAR	UR5392SXR
OVERRIDER LH FRONT / RH REAR	UR5392P
FRONT NUMBER PLATE HOLDER	UR1333P
OVERRIDER PACKING BLOCK	UR1335U
OVERRIDER BOLT	UR1342U
BADGE BAR	UB1768P
BADGE BAR CLIP	BADGEBARCLIPS

REAR BUMPER

REAR BUMPER - SERIES 1 & 2 MODELS

REAR BUMPER ASSEMBLY (Stainless steel)	UR1334P
REAR BUMPER BAR	UR3362SXR
RH REAR SWAN-NECK OVERRIDER	UR1344
RH REAR SWAN-NECK OVERRIDER	UR1344SXR
LH REAR SWAN-NECK OVERRIDER	UR1345
LH REAR SWAN-NECK OVERRIDER	UR1345SXR
OVERRIDER SEAL (Per metre)	UR8130P
OVERRIDER PACKING BLOCK	UR1335U
OVERRIDER BOLT	UR1342U
REAR BUMPER FAIRING	107300270P
REAR FAIRING TO BUMPER SEAL	UB1161P
BLACK RR BADGE (With studs for mounting to bumper or boot)	UB12399
PLYNTH FOR RR BADGE UB12399	UR1571P
REAR BUMPER BADGE	UR1559

REAR BUMPER - SERIES 3 MODELS

REAR BUMPER BAR	UR3362SXR
OVERRIDER LH FRONT/RH REAR	UR5392
OVERRIDER LH FRONT/RH REAR	UR5392SXR
OVERRIDER LH FRONT / RH REAR	UR5392P
OVERRIDER RH FRONT / LH REAR	UR5393
OVERRIDER RH FRONT / LH REAR	UR5393SXR
OVERRIDER RH FRONT / LH REAR	UR5393P
OVERRIDER SEAL (Per metre)	UR8130P
OVERRIDER PACKING BLOCK	UR1335U
OVERRIDER BOLT	UR1342U
REAR BUMPER FAIRING	107300270P
REAR FAIRING TO BUMPER SEAL	UB1161P
BLACK RR BADGE (With studs for mounting to bumper or boot)	UB12399
PLYNTH FOR RR BADGE UB12399	UR1571P
REAR BUMPER BADGE	UR1559

BUMPERS

BUMPER IRONS

FRONT BUMPER IRON OUTER (STRAIGHT) LH	UR5341U
FRONT BUMPER IRON OUTER (STRAIGHT) RH	UR5342U
FRONT BUMPER IRON INNER (BENT) LH	UR5258U
FRONT BUMPER IRON INNER (BENT) RH	UR3098U
REAR BUMPER IRON OUTER (LARGE) RH	UR5432U
REAR BUMPER IRON OUTER (LARGE) LH	UR5433U
REAR BUMPER IRON INNER (SMALL) RH	UR5430U
REAR BUMPER IRON INNER (SMALL) LH	UR5429U

PHANTOM V & VI BUMPERS

PHANTOM V & VI FRONT BUMPER BAR	CD1854
PHANTOM V & VI FRONT BUMPER BAR	CD1854SXR
PHANTOM V & VI REAR BUMPER BAR	CD1859
PHANTOM V & VI REAR BUMPER BAR	CD1859SXR

BOOT

LOCKS & LOCKING MECHANISM

BOOT LOCK BARREL & 2 KEYS (Series 1 models)	UB2457P
BOOT LOCK BARREL & 2 KEYS (Series 2 & 3 models)	UB2556P
BOOT LOCK BARREL & KEY (Series 2 & 3 models)	UB2556U
MASTER KEY	RH7486CUTP
BOOT (TRUNK) HANDLE (Early Series 1)	UB1014U
BOOT HANDLE SEAL KIT (Early Series 1)	UB1745P
BOOT HANDLE (Late Series 1 and all 2 & 3 models)	UB2575R
BOOT HANDLE SEALING RING	UB3984
BOOT HANDLE SEAL KIT (Late Series 1 and all Series 2 & 3 models)	UB3984P
OPERATING ROD BOOT LOCK MECH RH (Series 1 models)	UB2554U
OPERATING ROD BOOT LOCK MECH LH (Series 1 models)	UB2553U
CATCH MECHANISM BOOT LOCK RH (Series 1 models)	RH12010U
CATCH MECHANISM BOOT LOCK LH (Series 1 models)	RH12007U

BOOT LID & FITTINGS

BOOT LID	373/363U
REAR NUMBER PLATE PLYNTH	UD1455P
REAR NUMBER PLATE PLYNTH	UD1455SXR
FELT TRIMMED PANEL ON UNDERSIDE OF BOOT / TRUNK LID	UW1281
SPARE WHEEL COVER (Late Series 2 & all Series 3 models)	UB3463
SPARE WHEEL COVER (Late Series 2 & all Series 3 models)	UB3614P
SPARE WHEEL COVER (Late Series 2 & all Series 3 models)	UB3614U
"SILVER CLOUD III" BOOT LID BADGE	UB5175
"S3" BOOT LID BADGE	UB5174
"S3" BOOT LID BADGE	UB5174U
COVER (Reverse light access panel)	UW1833U
FINISHER STRIP (Boot floor edge)	UB1400U
HINGE BOOT LID RH	273100U
HINGE BOOT LID LH	273101U

DOORS

CLIPS & INTERIOR TRIM

DOOR PANEL CLIP	UB2301P
RETAINER FOR PANEL CLIP UB2301	UB2302P
MOULDING CLIP	UB1573
HOUSING FOR ARMREST SLIDE	RH8327U

DOOR HANDLES

EXTERIOR DOOR HANDLE	UB2196SXR
EXTERIOR DOOR HANDLE	UB2196U
INTERNAL DOOR HANDLE	RB2418U
INTERIOR WINDOW WINDER HANDLE	UB2660U
GRAB HANDLE ON DOOR CAPPING	UB1608U

DOOR SEALS

DOOR SEAL (Per metre - 4.1m required per door)	RH8600P
DOOR SEAL (Outer frame to drop glass - 2 metre length)	UW2120P
QUARTER LIGHT SEAL RH	UB2224P
QUARTER LIGHT SEAL LH	UB2223P
DOOR TO FRAME SEAL (Per Door)	UB17748P
DROP GLASS CHANNEL SEAL (Per metre)	UB30149P
DOOR CAPPING FELT SEAL	UW1557P
FRONT DOOR DROP GLASS FELT (UW2120) & RETAINING PLATE ASSEMBLY	RB2534ASSY
REAR DOOR DROP GLASS FELT (UW2120) & RETAINING PLATE ASSEMBLY	RB2534REAR

DOORS & WINDSCREEN

LOCKS & LOCKING MECHANISM

DOOR LOCK BARREL WITH 2 KEYS (RH & LH)	UB2460P
RH EXTERNAL DOOR LOCK BARREL WITH KEY	UB2461U
LH EXTERNAL DOOR LOCK BARREL WITH KEY	UB2460U
MASTER KEY	RH7486CUTP
LOCK MECHANISM RH FRONT	UB1880
LOCK MECHANISM RH FRONT	UB1880U
LOCK MECHANISM LH FRONT	UB1881U
LOCK MECHANISM RH REAR	UB1882U
LOCK MECHANISM LH REAR	UB1883U
EXTERIOR DOOR HANDLE	UB2196U
INTERNAL DOOR HANDLE	RB2418U

WINDOW LIFT

INTERIOR WINDOW WINDER HANDLE	UB2660U
LH REGULATOR FOR MANUAL WINDOW LIFT	UB1018U
RH REGULATOR FOR MANUAL WINDOW LIFT	UB1017U

WINDSCREEN

WINDSCREEN (SUNDYM)	RH8060P
WINDSCREEN (CLEAR)	RH8058P
FRONT WINDSCREEN SEAL	UB1206P
PLAIN WINDSCREEN (S1 Park Ward Saloon only)	H2529S1

REAR SCREEN

REAR SCREEN (Sundym glass, heated)	RH2317P
REAR SCREEN (Sundym glass, heated)	RH2317U
REAR SCREEN (Sundym glass, non-heated)	UB5260P
REAR SCREEN (Clear glass, heated)	RH2316P
REAR SCREEN (Clear glass, heated)	RH2316U
REAR SCREEN (Clear glass, non-heated)	UB2051P
REAR SCREEN SEAL	UB2611
REAR SCREEN SEAL	UB2611P

GRILLE SHELL & VANES

ROLLS-ROYCE GRILLE SHELLS & VANES

RR RADIATOR GRILLE SHELL (Silver Cloud I & II)	UE1340U
RR RADIATOR GRILLE VANES (Silver Cloud I & II)	UE1339U
RR RADIATOR GRILLE SHELL (Silver Cloud III)	UR5741U
RR RADIATOR GRILLE VANES (Silver Cloud III)	UR5757U
RR SILVER CLOUD FLYING LADY MASCOT	UE1579
RR SILVER CLOUD FLYING LADY MASCOT	UE1579U
FLYING LADY MASCOT BASE (Round part)	UE1439
FLYING LADY MASCOT BASE (Square part)	UE1438
RR GRILLE BADGE	E81957

BENTLEY GRILLE SHELLS & VANES

BENTLEY RADIATOR GRILLE SHELL (S1 & S2)	UE7934
BENTLEY RADIATOR GRILLE SHELL (S1 & S2)	UE7936U
BENTLEY RADIATOR GRILLE VANES (S1 & S2)	UE1189
BENTLEY RADIATOR GRILLE VANES (S1 & S2)	UE1189U
BENTLEY RADIATOR GRILLE SHELL (S3)	UR5729R
BENTLEY RADIATOR GRILLE VANES (S3)	UR8644U
FLYING B MASCOT (Bentley S Type)	UE1186
FLYING B MASCOT (Bentley S Type)	UE1186U
BENTLEY GRILLE BADGE (Black)	UB38354

BADGES & MASCOTS

BLACK RR BADGE (With studs for mounting to bumper or boot)	UB12399
PLYNTH FOR RR BADGE UB12399	UR1571P
"SILVER CLOUD III" BOOT LID BADGE	UB5175
WINGED B REAR BUMPER BADGE	UR1559
"S3" BOOT BADGE	UB5174
"S3" BOOT BADGE	UB5174U

BODY

MIRRORS

RH DOOR MIRROR (Flat glass)	UB5096P
RH DOOR MIRROR (Convex glass)	UB5096CP
LH DOOR MIRROR (Flat glass)	UB5097P
LH DOOR MIRROR (Convex glass)	UB5097CP
RH WING MIRROR (Flat glass)	UB5098PF
LH WING MIRROR (Convex glass)	UB5098PC

UNDERSHEETS - SERIES 1 MODELS

MAIN RH UNDERSHEET (Early Series 1 models)	UE1445P
MAIN RH UNDERSHEET (Early Series 1 models)	UE1445U
MAIN RH UNDERSHEET (Later Series 1 models)	UE1717U
RH UNDERSHEET FRONT SECTION	UE1635U
MAIN LH UNDERSHEET	UE1449P
MAIN LH UNDERSHEET	UE1449U
LH UNDERSHEET FRONT SECTION	UE1634U
FRONT SERVO PROTECTION PLATE (Early Series 1 models)	UE1451U
FRONT SERVO PROTECTION PLATE (Late Series 1 models)	UE1712U
SIDE BRAKE SERVO PROTECTION PLATE	UE1450

UNDERSHEETS - SERIES 2 & 3 MODELS

RH UNDERSHEET	UE7508P
RH UNDERSHEET	UE7508U
LH UNDERSHEET	UR20717
HEATER DUCTING UNDERSHEET	UE8062P
HEATER DUCTING UNDERSHEET (Without front stepped section)	UE7979P
FRONT SERVO PROTECTION PLATE	UE7512U
SIDE BRAKE SERVO PROTECTION PLATE	UE1450

BODY REPAIR PANELS - FRONT WINGS

FRONT WING PANELS - SINGLE HEADLAMP MODELS

RH FRONT WING (RR Silver Cloud I & II)	307300226
LH FRONT WING (RR Silver Cloud I & II)	307300393
RH FRONT WING (Bentley S1 & S2)	307300048
LH FRONT WING (Bentley S1 & S2)	307300049
SIDE LAMP NACELLE (Single headlamp models)	SC1
RHF WING UPPER REAR REPAIR PANEL (Series 1 & 2 Models)	SC3RS1/2
LHF WING REAR UPPER REPAIR PANEL (Series 1 & 2 Models)	SC3LS1/2

FRONT WING PANELS - TWIN HEADLAMP MODELS

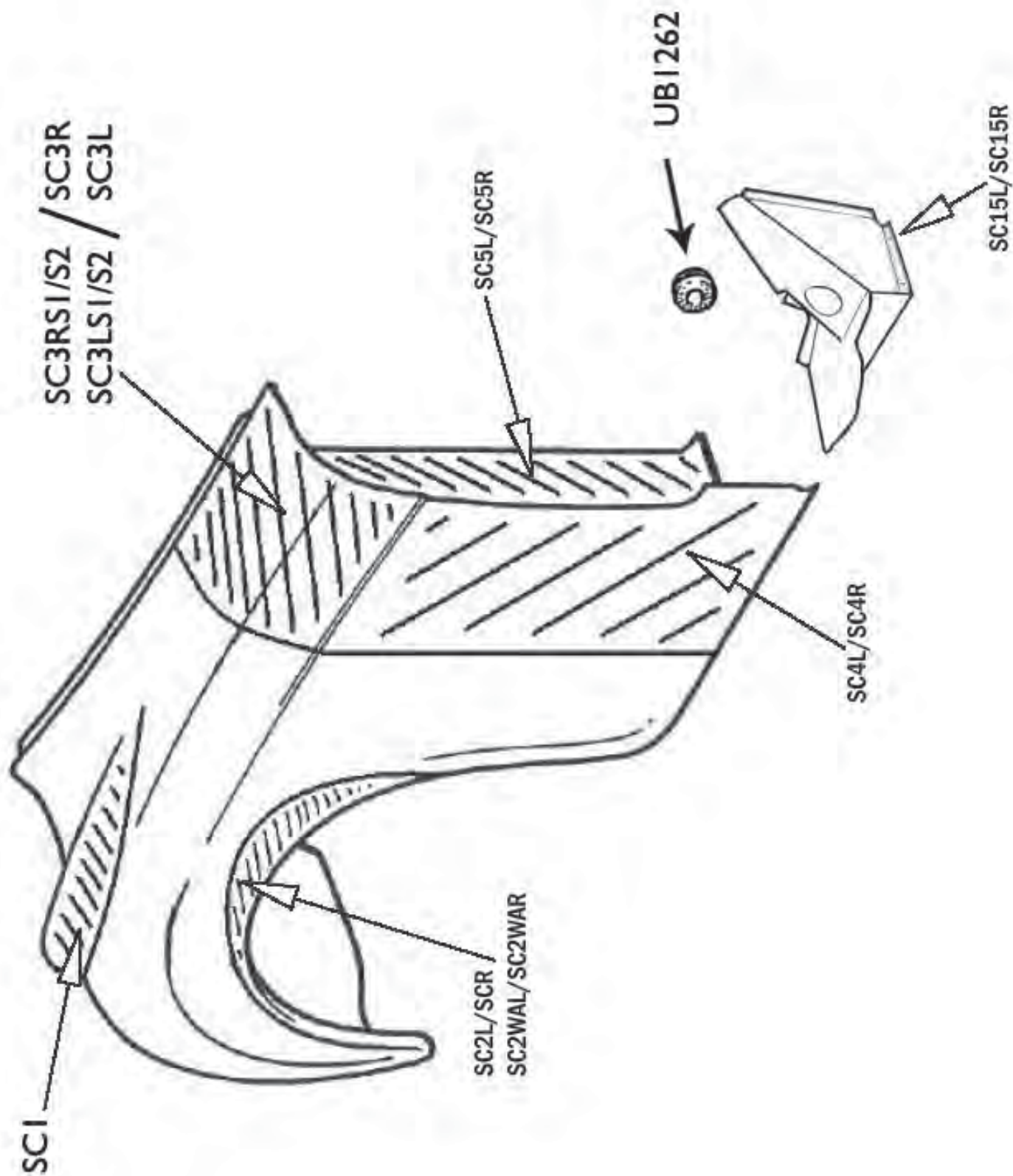
RH FRONT WING (Series 3 Twin headlamp)	UB5034
LH FRONT WING (Series 3 Twin headlamp)	UB5035
RHF WING REAR UPPER REPAIR SECTION (Series 3)	SC3RS3
LHF WING REAR UPPER REPAIR SECTION (Series 3)	SC3LS3

FRONT WING PANELS - COMMON TO ALL STANDARD MODELS

RH BODY MOUNTING BRACKET	SC15R
LH BODY MOUNTING BRACKET	SC15L
GROMMET (For No.1 body mounting bracket SC15)	UB1262
RH FRONT WING BAFFLE PANEL	SC5R
LH FRONT WING BAFFLE PANEL	SC5L
RH FRONT WING REAR LOWER SECTION	SC4R
LH FRONT WING REAR LOWER SECTION	SC4L
RH FRONT WHEEL ARCH	SC2WAR
LH FRONT WHEEL ARCH	SC2WAL
RH FRONT WHEEL ARCH EYEBROW	SC2R
LH FRONT WHEEL ARCH EYEBROW	SC2L

BODY REPAIR PANELS - FRONT WINGS

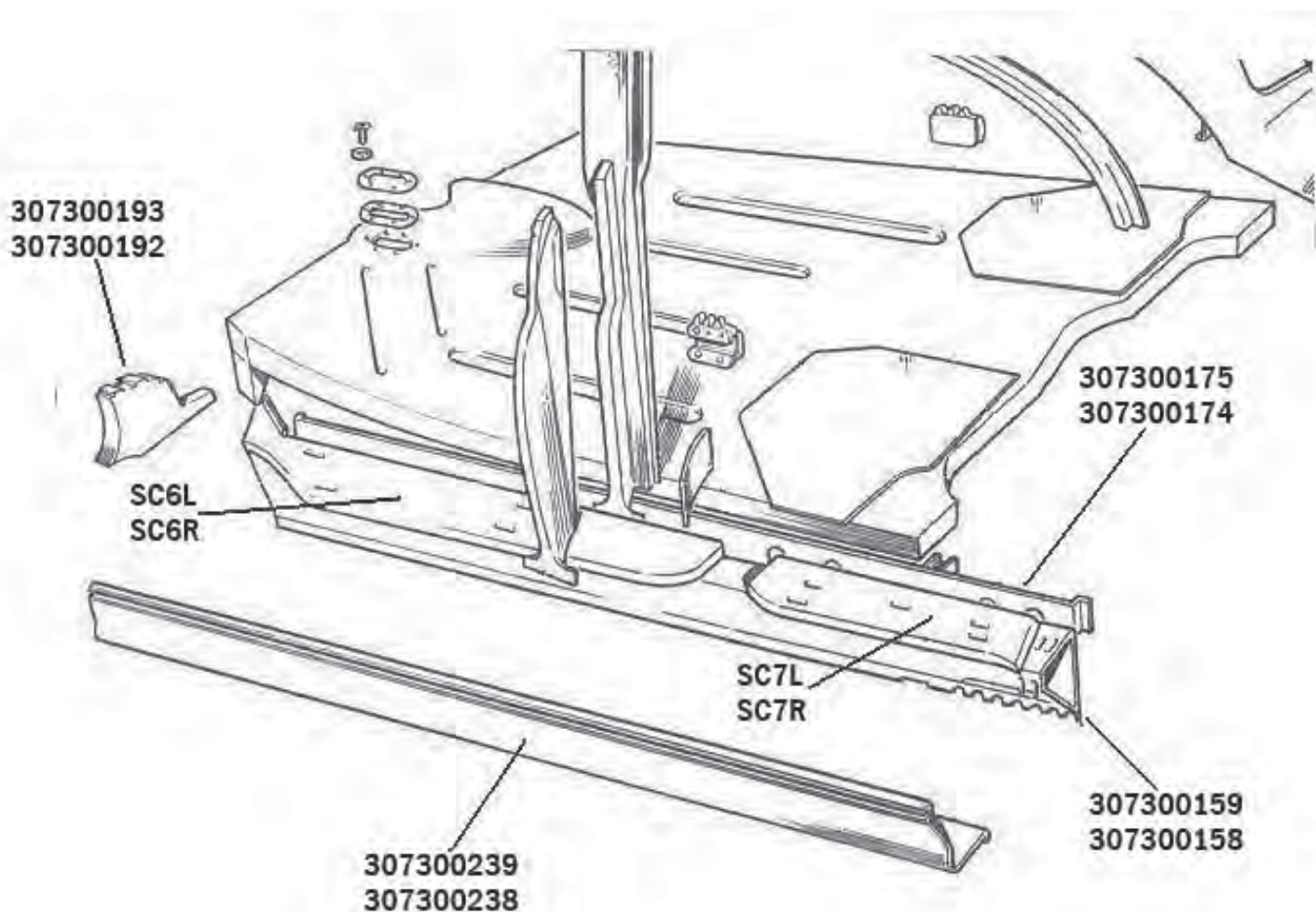
FRONT WING PANELS



ALL DIAGRAMS REPRODUCED WITH KIND PERMISSION OF BENTLEY MOTORS LIMITED - COPYRIGHT OF BENTLEY MOTORS LIMITED

BODY REPAIR PANELS - SILLS

RH OUTER SILL	307300238P
LH OUTER SILL	307300239P
RH SILL BRACE PANEL	307300158P
LH SILL BRACE PANEL	307300159P
RH INNER SILL & BRACKETS	307300174P
LH INNER SILL & BRACKETS	307300175P
RH FILLET PANEL (Between rear of sill & front of rear wing panel)	SC8R
LH FILLET PANEL (Between rear of sill & front of rear wing panel)	SC8L
RH CLOSING PANEL (Front of sill)	307300192P
LH CLOSING PANEL (Front of sill)	307300193P
RH FRONT TREADPLATE	SC6R
LH FRONT TREADPLATE	SC6L
RH REAR TREADPLATE	SC7R
LH REAR TREADPLATE	SC7L

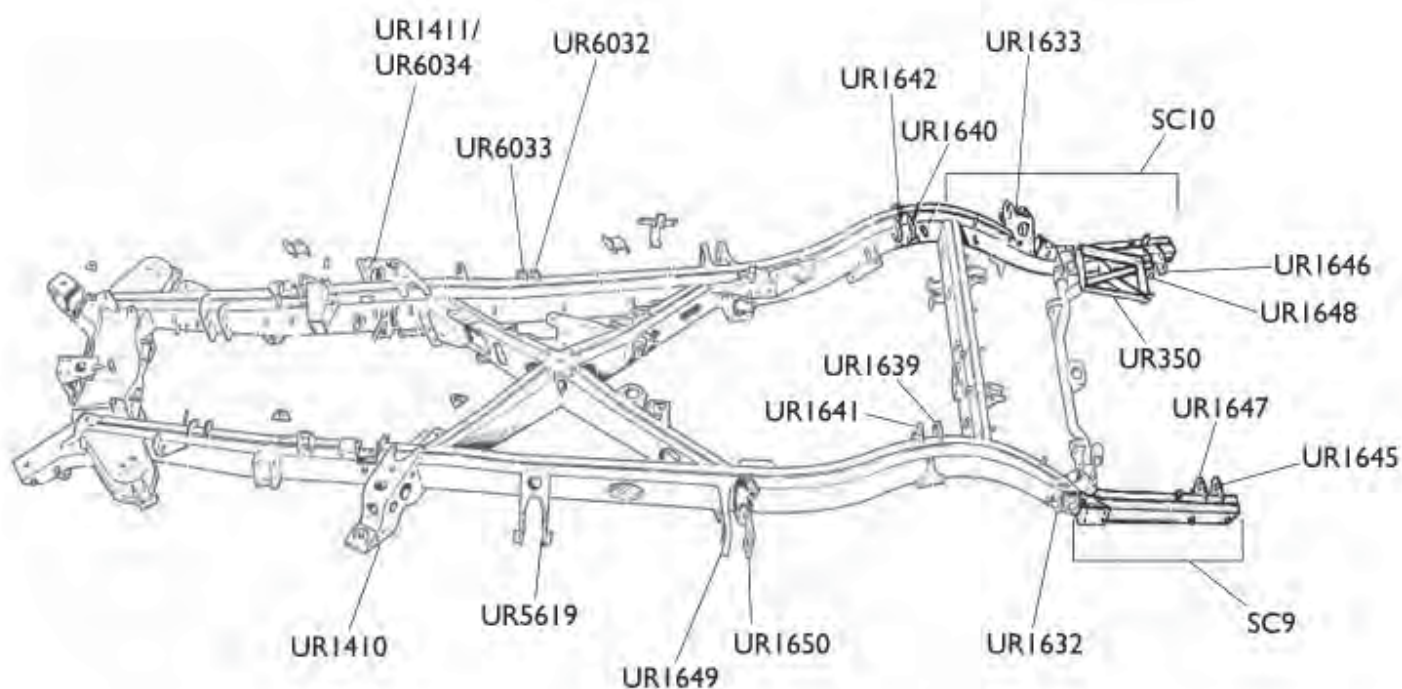


ALL DIAGRAMS REPRODUCED WITH KIND PERMISSION OF BENTLEY MOTORS LIMITED - COPYRIGHT OF BENTLEY MOTORS LIMITED

BODY REPAIR PANELS - CHASSIS

CHASSIS LEGS, OUTRIGGERS & BODY MOUNTS

RH FRONT CHASSIS OUTRIGGER (Series 1 only)	UR1411P
RH FRONT CHASSIS OUTRIGGER (Series 2 & 3 only)	UR6034P
LH FRONT CHASSIS OUTRIGGER	UR1410P
REAR CHASSIS LEG (Short section)	SC9
RH REAR CHASSIS LEG (Long section)	SC10R
LH REAR CHASSIS LEG (Long section)	SC10L
RH BODY MOUNTING BRACKET (See diagram page 21)	SC15R
LH BODY MOUNTING BRACKET (See diagram page 21)	SC15L
GROMMET (For No.1 body mounting bracket SC15)	UB1262
BATTERY CARRIER	UR350P
REAR BODY MOUNTING LH	307300259P
CLOSING PANEL BOOT FLOOR RH	307300314CP



SPARK PLUG ACCESS PANELS (SERIES 2 & 3 MODELS)

RH ENGINE ACCESS PANEL	307300374U
LH ENGINE ACCESS PANEL	307300375
LH ENGINE ACCESS PANEL	307300375U

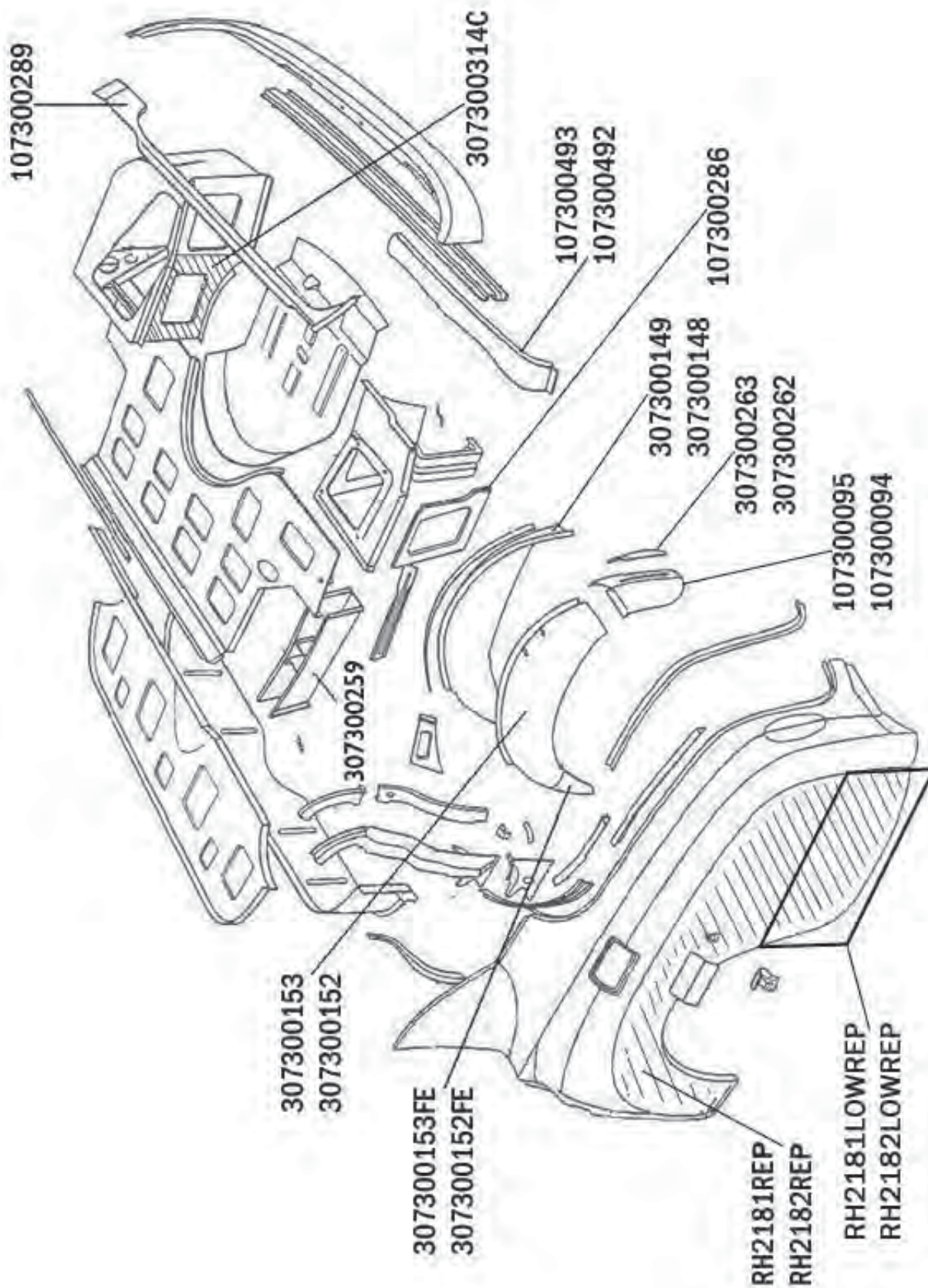
ALL DIAGRAMS REPRODUCED WITH KIND PERMISSION OF BENTLEY MOTORS LIMITED - COPYRIGHT OF BENTLEY MOTORS LIMITED

BODY REPAIR PANELS - REAR WINGS

REAR WINGS & WHEEL ARCHES

RH REAR WING (Series 1 & 2 models)	373102
RH REAR OUTER WING SECTION	RH2182REP
LH REAR OUTER WING SECTION	RH2181REP
RH REAR LOWER WING REPAIR SECTION	RH2182LOWREP
LH REAR WING LOWER REPAIR SECTION	RH2181LOWREP
SPARE WHEEL COVER (Late Series 2 & all Series 3 models)	UB3463
SPARE WHEEL COVER (Late Series 2 & all Series 3 models)	UB3614P
RH INNER WHEEL ARCH ASSEMBLY (Outer section - includes front extension piece)	307300152
LH INNER WHEEL ARCH (Outer section)	307300153P
FRONT EXTENSION PIECE (For outer section of RH inner wheel arch)	307300152FE
FRONT EXTENSION PIECE (For outer section of LH inner wheel arch)	307300153FE
REAR EXTENSION PIECE (For outer section of RH rear inner wheel arch)	107300094
REAR EXTENSION PIECE (For outer section of LH rear inner wheel arch)	107300095
RH INNER WHEEL ARCH (Inner section)	307300148P
LH INNER WHEEL ARCH (Inner section)	307300149P
REAR BODY MOUNTING LH	307300259P
RH REAR REINFORCEMENT PANEL	107300492P
LH REAR REINFORCEMENT PANEL	107300493P
CLOSING PANEL BOOT FLOOR RH	307300314CP
CLOSING PANEL BOOT FLOOR LH	107300286
REAR BUMPER FAIRING	107300270P

BODY REPAIR PANELS - REAR WINGS

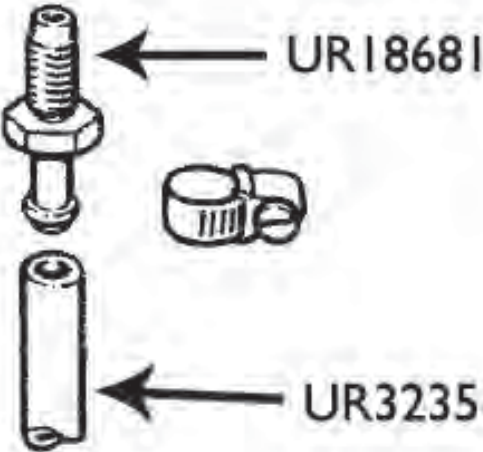
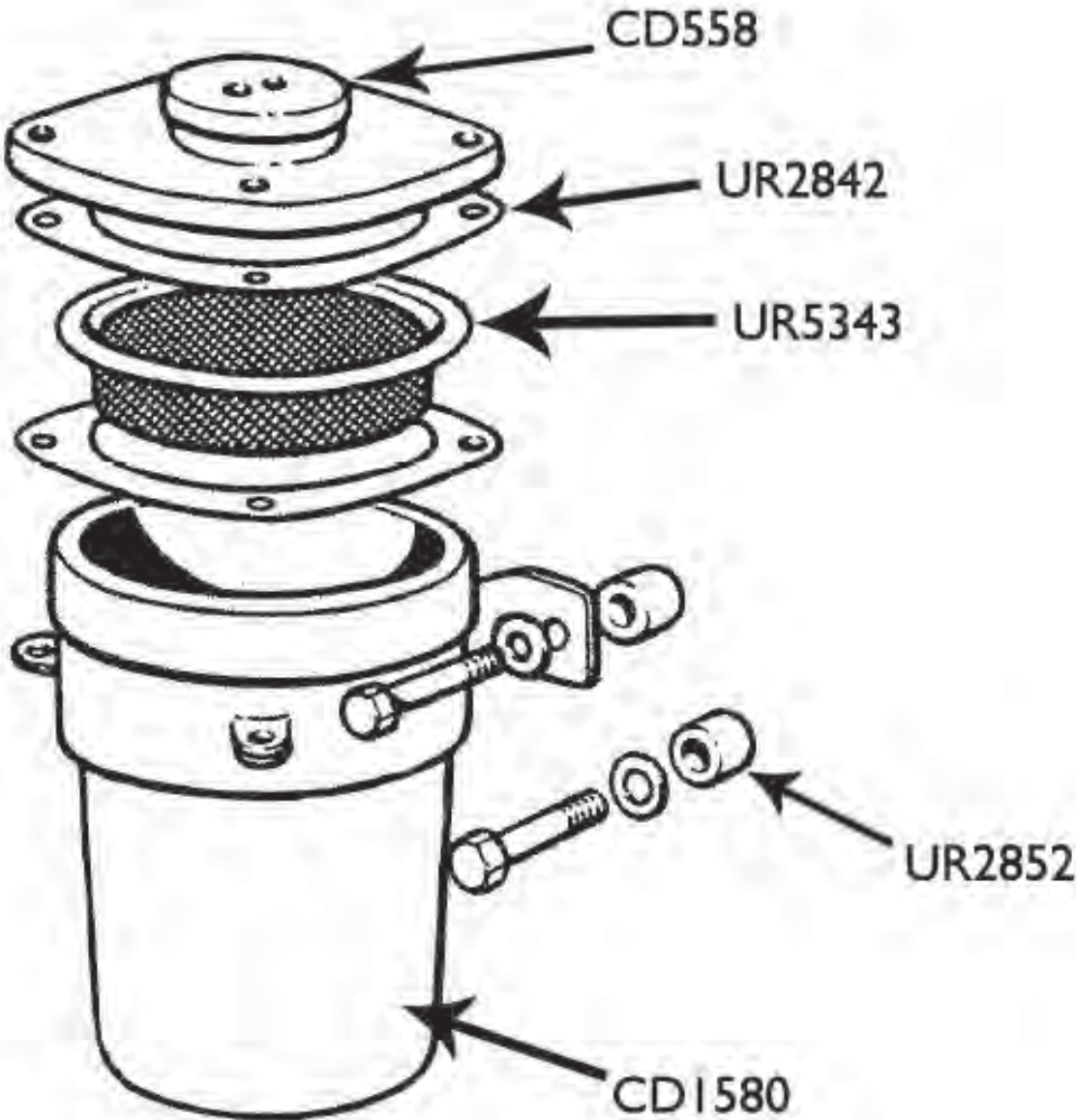


ALL DIAGRAMS REPRODUCED WITH KIND PERMISSION OF BENTLEY MOTORS LIMITED - COPYRIGHT OF BENTLEY MOTORS LIMITED

BRAKE RESERVOIR

BRAKE RESERVOIR ASSEMBLY	UR3246P
BRAKE RESERVOIR JAR	CD1580P
BRAKE RESERVOIR GASKET (2 per reservoir)	UR2842P
BRAKE RESERVOIR FILTER	UR5343P
BRAKE RESERVOIR FILTER	UR5343U
BRAKE RESERVOIR JAR BOTTOM SEAL	CD598P
BRAKE RESERVOIR CLAMP SPACER (2 per reservoir)	UR2852P
BRAKE RESERVOIR CAP	CD558P
BRAKE RESERVOIR CAP	CD558U
BRAKE RESERVOIR CAP CORK SEAL	CD558CORK
BRAKE HOSE (Reservoirs to master cylinders - per metre)	UR3235P
UNION (In bottom of brake reservoir)	UR18681
RR363 BRAKE FLUID	RR363L1

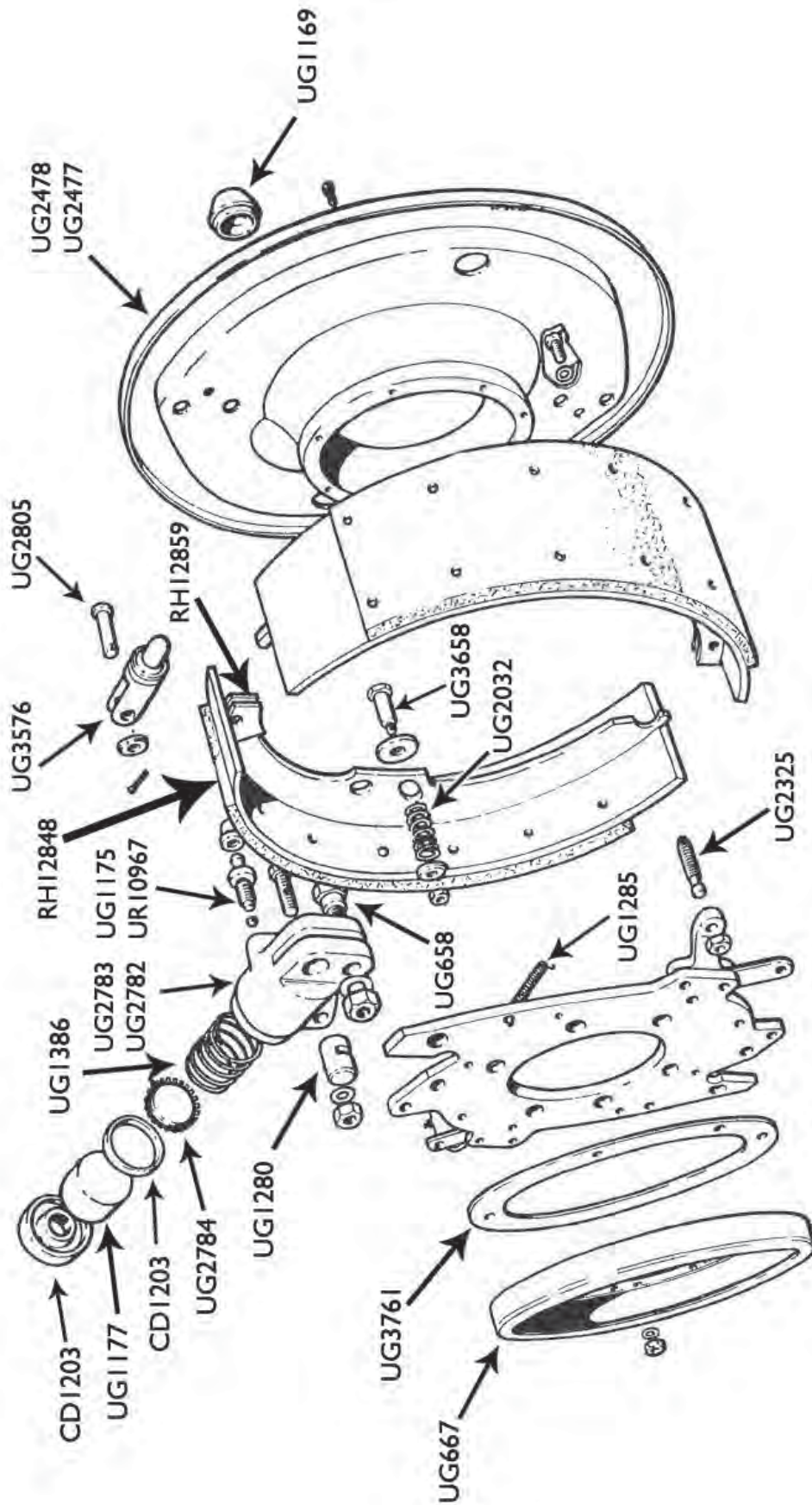
BRAKE RESERVOIR



FRONT BRAKES - SERIES 1 MODELS

BRAKE DRUM (Aftermarket)	UG2287P
BRAKE DRUM (Used)	UG2287A1U
BRAKE DRUM RETAINING SCREW	UG673P
FRONT BRAKE SHOE	RH12859SXR
BRAKE LINING (including 12 rivets)	RH12848P
BRAKE LINING RIVET (12 per shoe)	UG3114
BRAKE SHOE ALIGNMENT TOOL	RH627P
FRONT BRAKE SHOE (Continental Models)	UG3129SXR
BRAKE LINING (For Continental models)	RH12847P
DUST CAP (Shake-back stop)	UG1169P
RH FRONT WHEEL CYLINDER	UG2783P
RH FRONT WHEEL CYLINDER	UG2783SXR
LH FRONT WHEEL CYLINDER	UG2782P
LH FRONT WHEEL CYLINDER	UG2782SXR
FRONT WHEEL CYLINDER SEAL KIT	CD1203P
FRONT WHEEL CYLINDER PISTON	UG1177P
BRAKE BLEED SCREW (With ball bearing)	UG1175P
BLEED NIPPLE (Modern replacement)	UR10967P
DUST COVER (Bleed nipple)	UG2427
SPREADER (Front wheel cylinder)	UG2784P
SPRING (Front wheel cylinder)	UG1386
FRONT BRAKE HOSE	CD6241P
HALF NUT (Brake hose)	UA353ZP
WASHER (Brake hose)	WHT002851P
WASHER (Brake hose)	WHT002850
COLLAR (Shake-back stop)	UG3658P
SHAKEBACK STOP SPRING	UG2032P
STEADY POST (Shake-back stop)	UG2325P
FRONT BRAKE SHOE RETURN SPRING	UG1285P
RH FRONT BACK PLATE (Late S1)	UG2478U
LH FRONT BACK PLATE (Late S1)	UG2477U
GASKET (Front brake carrier)	UG3761P
LOCKTAB (Stub axle to hub - 2 per hub)	UG657P

FRONT BRAKES - SERIES 1 MODELS



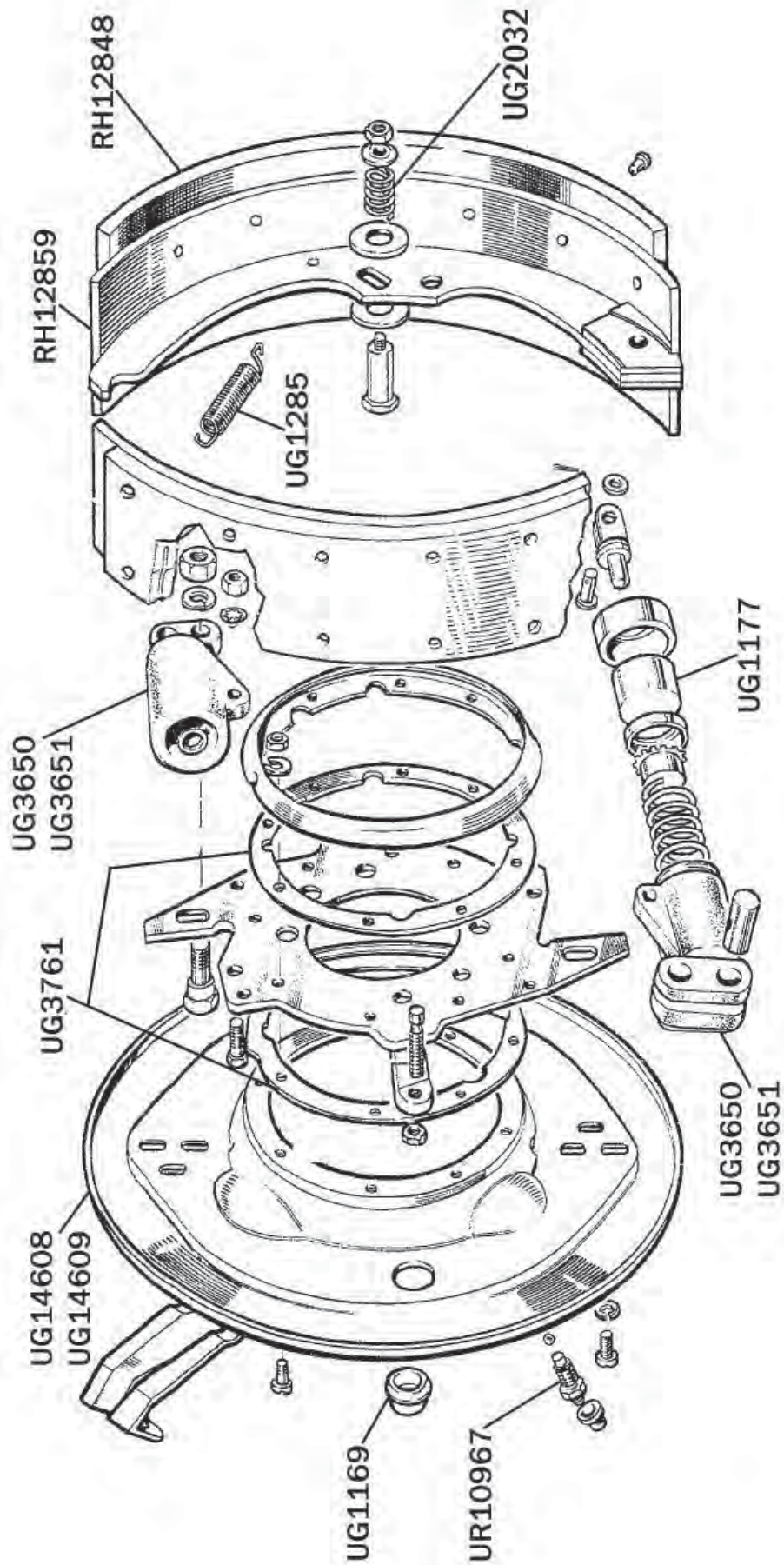
ALL DIAGRAMS REPRODUCED WITH KIND PERMISSION OF BENTLEY MOTORS LIMITED - COPYRIGHT OF BENTLEY MOTORS LIMITED

FRONT BRAKES - SERIES 2 & 3 MODELS

FRONT WHEEL CYLINDERS & HOSES (SERIES 2 & 3 ONLY)

BRAKE DRUM (Aftermarket)	UG2287P
BRAKE DRUM (Used)	UG2287A1U
BRAKE DRUM RETAINING SCREW	UG673P
FRONT BRAKE SHOE	RH12859SXR
BRAKE LINING (including 12 rivets)	RH12848P
BRAKE LINING RIVET (12 per shoe)	UG3114
BRAKE SHOE ALIGNMENT TOOL	RH627P
FRONT BRAKE SHOE (Continental Models)	UG3129SXR
BRAKE LINING (For Continental models)	RH12847P
DUST CAP (Shake-back stop)	UG1169P
RH FRONT WHEEL CYLINDER (New, aftermarket)	UG3650P
RH FRONT WHEEL CYLINDER (Reconditioned, original)	UG3650R
LH FRONT WHEEL CYLINDER (New, aftermarket)	UG3651P
LH FRONT WHEEL CYLINDER (Reconditioned, original)	UG3651R
FRONT WHEEL CYLINDER KIT (Includes spreader)	CD1608
FRONT WHEEL CYLINDER SEAL KIT	CD1608P
FRONT WHEEL CYLINDER PISTON	UG1177P
SPRING (Front wheel cylinder)	UG3647
BRAKE BLEED SCREW (With ball bearing)	UG1175P
BLEED NIPPLE (Modern replacement)	UR10967P
DUST COVER (Bleed nipple)	UG2427
STEADY POST (Shake-back stop)	UG2325P
COLLAR (Shake-back stop)	UG3658P
SHAKEBACK STOP SPRING	UG2032P
DUST CAP (Shake-back stop)	UG1169P
FRONT BRAKE HOSE	CD6241P
HALF NUT (Brake hose)	UA353ZP
WASHER (Brake hose)	WHT002851P
FRONT BRAKE SHOE RETURN SPRING	UG1285P
LOCKTAB (Backplate to stub axle - 2 per hub)	UR4912P
RH FRONT BRAKE BACK PLATE	UG14608U
LH FRONT BRAKE BACK PLATE	UG14609U
GASKET (Front brake carrier)	UG3761P

FRONT BRAKES - SERIES 2 & 3 MODELS

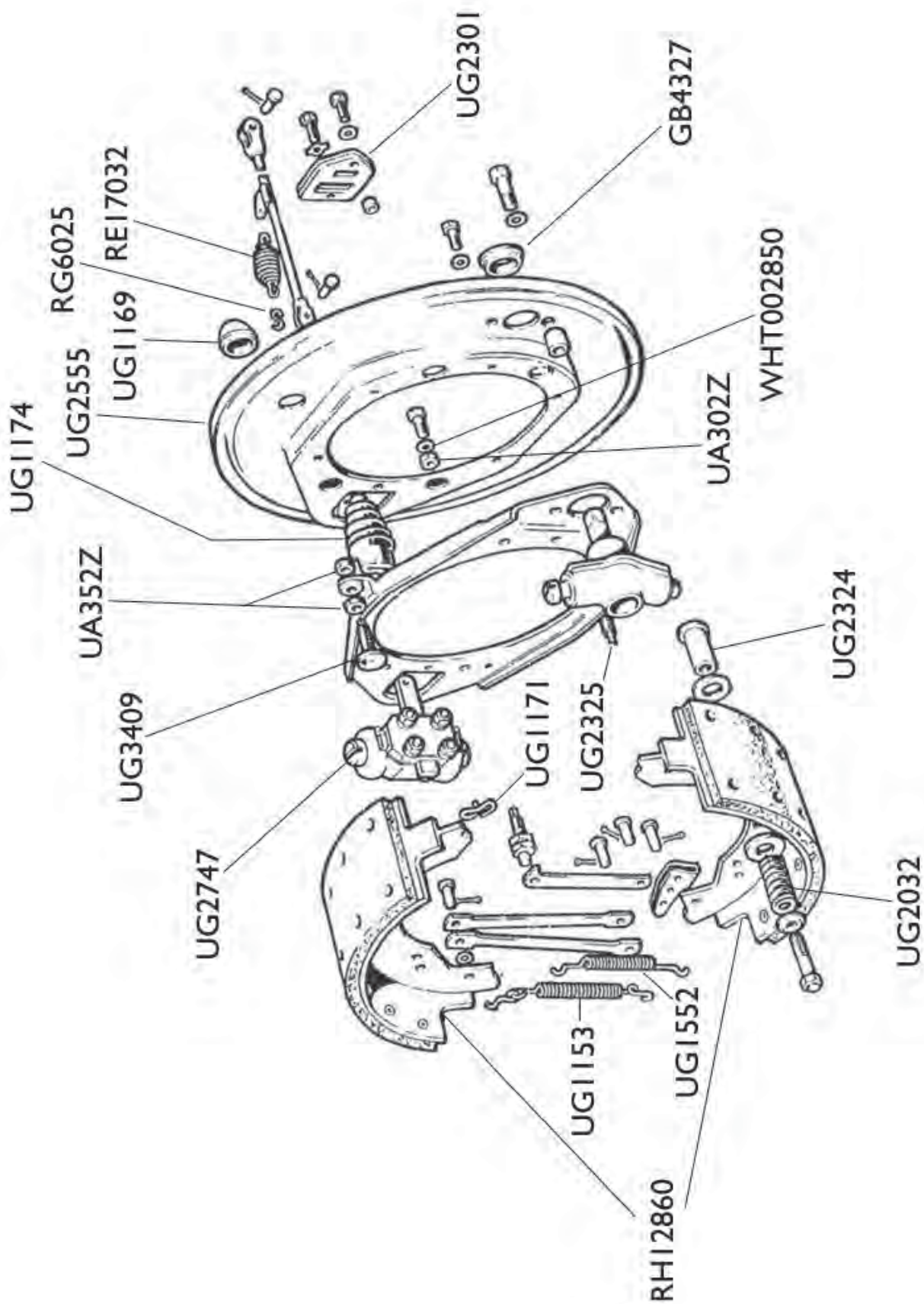


ALL DIAGRAMS REPRODUCED WITH KIND PERMISSION OF BENTLEY MOTORS LIMITED - COPYRIGHT OF BENTLEY MOTORS LIMITED

REAR BRAKES - SERIES 1 MODELS

BRAKE DRUM (Aftermarket)	UG2287P
BRAKE DRUM (Used)	UG2287A1U
BRAKE DRUM RETAINING SCREW	UG673P
REAR BRAKE SHOE	RH12860SXR
BRAKE LINING (including 12 rivets)	RH12848P
BRAKE LINING RIVET (12 per shoe)	UG3114
BRAKE SHOE ALIGNMENT TOOL	RH627P
REAR WHEEL CYLINDER	UG2747
REAR WHEEL CYLINDER	UG2747R
REAR WHEEL CYLINDER SEAL KIT	CD1204P
REAR WHEEL CYLINDER PISTON	UG1149P
BLEED NIPPLE (Modern type)	UR10967P
BRAKE BLEED SCREW (With ball bearing)	UG1175P
SPRING (Rear wheel cylinder)	UG1146P
REAR BRAKE HOSE	CD6249P
BRAKE HOSE SEALING WASHER	UR1200P
HALF NUT (Brake hose)	UA353ZP
WASHER (Brake hose)	WHT002851P
SEAL (Rear brake cylinder cover plate to back plate)	UG2301
SPREADER (Rear wheel cylinder)	UG2726P
DUST COVER (Bleed nipple)	UG2427
DUST CAP (Shake-back stop)	UG1169P
SPRING (Shake-back stop)	UG2032P
STEADY POST (Shake-back stop)	UG2325P
REAR BRAKE ADJUSTER SEAL	GB4327
REAR EQUALISING ROD BOOT	UG1174
SPRING	RE17032P
S LINK FOR EQUALISER ROD SPRING	RG6025P
ECCENTRIC SPRING HOOK	UG1171P
REAR BRAKE SHOE PULL-OFF SPRING & LEVER	UG1153P
REAR BRAKE ADJUSTER SPRING	UG1552P

REAR BRAKES - SERIES 1 MODELS



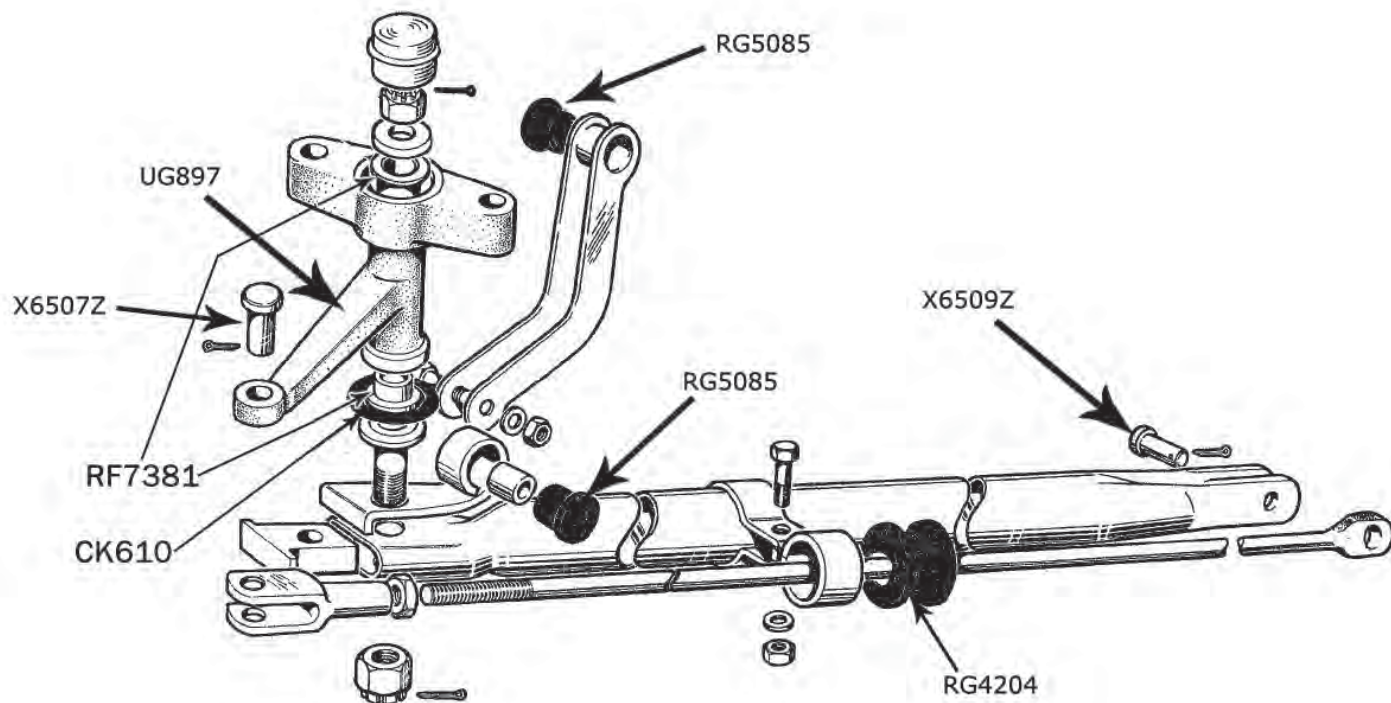
REAR BRAKES - SERIES 2 & 3 MODELS

BRAKE DRUM (Aftermarket)	UG2287P
BRAKE DRUM (Used)	UG2287A1U
BRAKE DRUM RETAINING SCREW	UG673P
REAR BRAKE SHOE	RH12860SXR
BRAKE LINING (including 12 rivets)	RH12848P
BRAKE LINING RIVET (12 per shoe)	UG3114
BRAKE SHOE ALIGNMENT TOOL	RH627P
REAR WHEEL CYLINDER (New, aftermarket)	UG3683P
REAR WHEEL CYLINDER (Original, reconditioned)	UG3683SXR
REAR WHEEL CYLINDER SEAL KIT	CD1607P
REAR WHEEL CYLINDER PISTON (2 per cylinder)	UG3689P
SPRING (Rear wheel cylinder)	UG1146P
SPREADER (2 per each rear wheel cylinder)	UG3684
BLEED NIPPLE (Modern type)	UR10967P
BRAKE BLEED SCREW (With ball bearing)	UG1175P
DUST COVER (Bleed nipple)	UG2427
SEAL (Rear brake cylinder cover plate to back plate)	UG2301
REAR BRAKE HOSE	CD6249P
BRAKE HOSE SEALING WASHER	UR1200P
HALF NUT (Brake hose)	UA353ZP
WASHER (Brake hose)	WHT002851P
DUST CAP (Shake-back stop)	UG1169P
STEADY POST (Shake-back stop)	UG2325P
SPRING (Shake-back stop)	UG2032P
COLLAR (Shake-back stop)	UG3658P
REAR BRAKE ADJUSTER SEAL	GB4327
REAR EQUALISING ROD BOOT	UG1174
SPRING	RE17032P
S LINK FOR EQUALISER ROD SPRING	RG6025P
REAR BRAKE ADJUSTER SPRING	UG1552P
ECCENTRIC SPRING HOOK	UG1171P
REAR BRAKE SHOE PULL-OFF SPRING & LEVER	UG1153P
WASHER	WHT002850

BRAKES - REAR EQUALISER

REAR EQUALISER LINKAGE

RUBBER LINKAGE BUSH	RG5085
STEADY BRACKET BUSH	RG4204
SEALING RING	CK610P
OILITE BUSH ON EQUALISING BAR	RF7381
REAR EQUALISING ROD BOOT	UG1174
SPRING	RE17032P
S LINK FOR EQUALISER ROD SPRING	RG6025P
CLEVIS PIN	X6507Z
CLEVIS PIN	X6509Z



BRAKES - MASTER CYLINDER & HANDBRAKE

SINGLE MASTER CYLINDER (Early Series 1 models only)

SINGLE MASTER CYLINDER	UG2495
SINGLE MASTER CYLINDER	UG2495R
1" MASTER CYLINDER SEAL KIT	CD2026P
PULL-OFF SPRING (Servo to master cylinder)	UG2509P

SMALL (3/4") MASTER CYLINDER

3/4" MASTER CYLINDER	UG3848P
3/4" MASTER CYLINDER	UG3848R
3/4" MASTER CYLINDER SEAL KIT	CD2027P
PULL-OFF SPRING (Servo to master cylinder)	UG2509P
BRAKE HOSE (Reservoirs to master cylinders - per metre)	UR3235P

LARGE (1") MASTER CYLINDER

1" MASTER CYLINDER	UG3847P
1" MASTER CYLINDER	UG3847R
1" MASTER CYLINDER PISTON	UG3847PISTON
1" MASTER CYLINDER SEAL KIT	CD2026P
PULL-OFF SPRING (Servo to master cylinder)	UG2509P
BRAKE HOSE (Reservoirs to master cylinders - per metre)	UR3235P

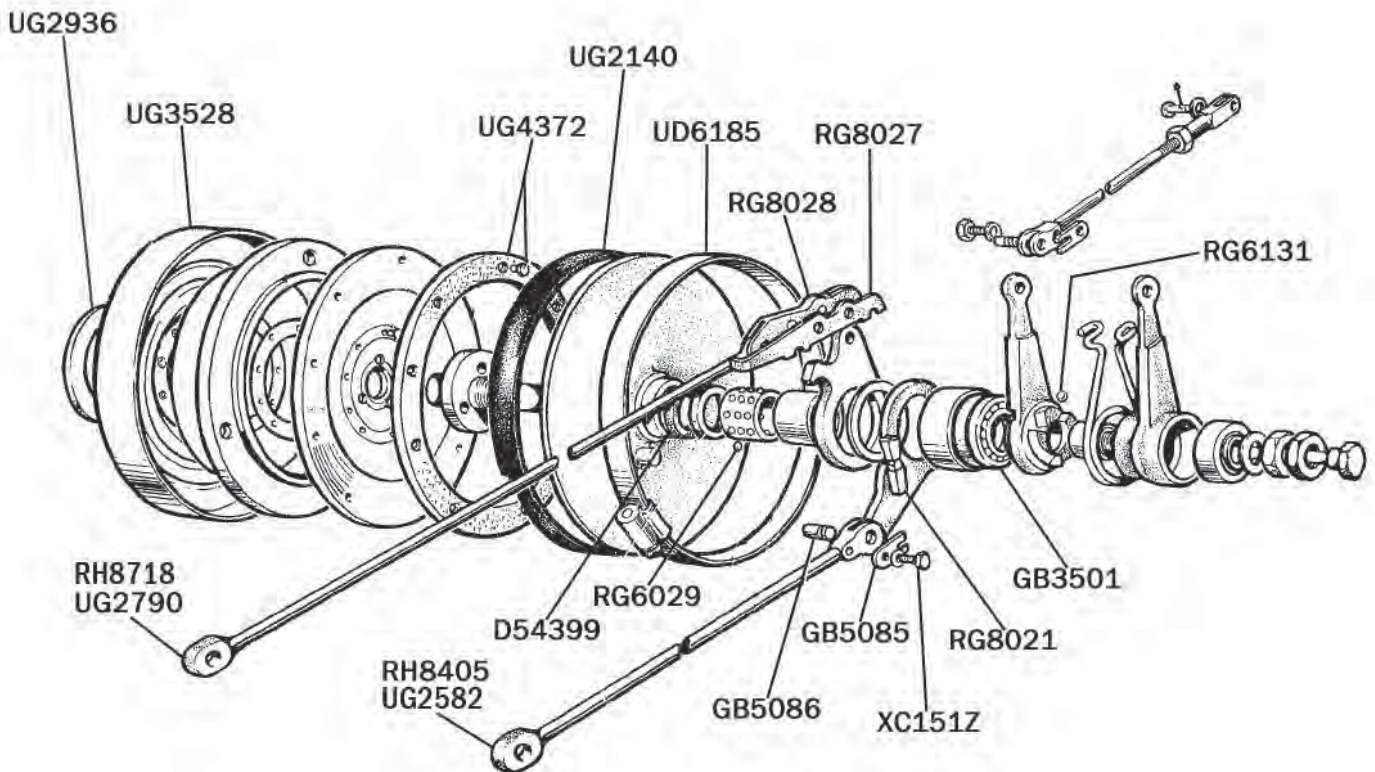
HANDBRAKE

HANDBRAKE CABLE (RHD - Series 1 models)	UG1201P
HANDBRAKE CABLE (RHD - Series 1 models)	UG1201U
HANDBRAKE CABLE (LHD - Series 1 models)	UG1214P
HANDBRAKE CABLE (RHD - Series 2 & early Series 3 models)	UG3778
HANDBRAKE CABLE (RHD - Mid-range Series 3 models)	RH7807
HANDBRAKE CABLE (RHD - Late Series 3 models)	UG4634P
HANDBRAKE CABLE (LHD - Series 2 & 3 models)	UG3693P
REAR BRAKE ADJUSTER SEAL	GB4327
REAR EQUALISING ROD BOOT	UG1174
SPRING	RE17032P
S LINK FOR EQUALISER ROD SPRING	RG6025P
SWITCH (Handbrake warning light)	UG4049P
SWITCH (Handbrake warning light)	UG4049U

BRAKE SERVO

BRAKE SERVO

BRAKE SERVO ASSEMBLY	UG2475SXR
BRAKE SERVO LINING & RIVETS	UG4372P
BRAKE SERVO COVER PLATE	UG3528P
OIL SEAL (Servo to automatic gearbox)	RG6640P
BRAKE SERVO OUTER SEALING BAND	UG2140P
BRAKE SERVO OUTER CLIP	UD6185P
BRAKE SERVO FRICTION WASHER	UG2936
BRAKE SERVO BUMP RUBBER	RG8021P
BRAKE SERVO OUTER FELT OIL SEAL	D54399P
BRAKE SERVO THRUST BEARING	RH8937
BALL BEARING	RG6131
BRAKE SERVO PRESSURE PLATE BALL BEARING	RG6209
PULL-OFF SPRING (Servo to master cylinder)	UG2509P
SIDE BRAKE SERVO PROTECTION PLATE	UE1450
FRONT SERVO PROTECTION PLATE (Early S1)	UE1451U
FRONT SERVO PROTECTION PLATE (Late Series 1 models)	UE1712U
FRONT SERVO PROTECTION PLATE	UE7512U

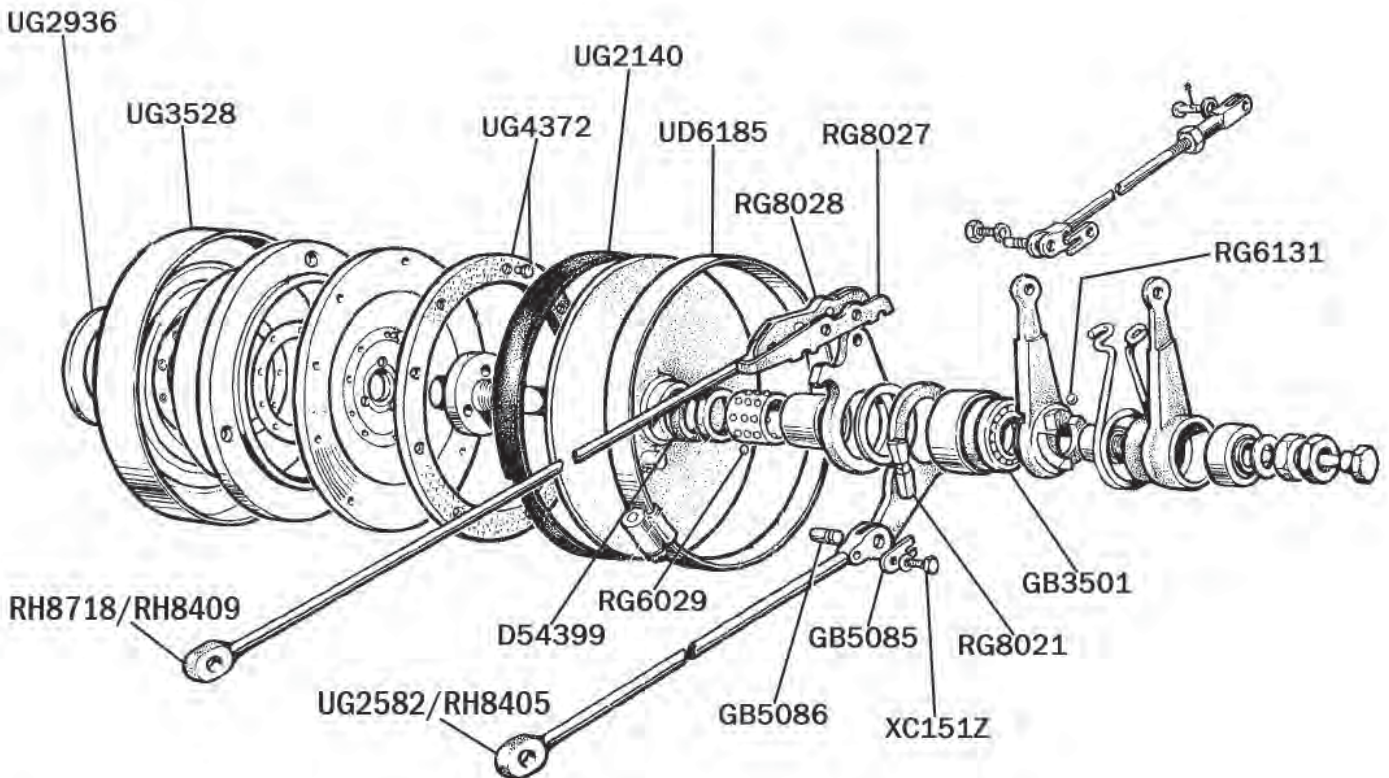


ALL DIAGRAMS REPRODUCED WITH KIND PERMISSION OF BENTLEY MOTORS LIMITED - COPYRIGHT OF BENTLEY MOTORS LIMITED

BRAKE SERVO

BRAKE SERVO DRAG LINKS

FORWARD BRAKE SERVO ROD (Series 1 Models)	RH8718P
FORWARD SERVO ROD (Series 1 Models)	RH8718U
ROD, SERVO TO FULCRUM LEVER (Series 1 Models)	UG1265U
REVERSE BRAKE SERVO ROD (Series 1 Models)	UG2582P
REVERSE SERVO ROD (Series 1 Models)	UG2582U
FORWARD BRAKE SERVO ROD (Series 2 & 3 Models)	RH8409P
FORWARD SERVO ROD (Series 2 & 3 Models)	UG2790U
REVERSE SERVO ROD (Series 2 & 3 Models)	UG2791U
REVERSE BRAKE SERVO ROD (Series 2 & 3 Models)	RH8405P
REVERSE SERVO ROD (Series 2 & 3 Models)	RH8405U
FORWARD SERVO ROD LINK	RG8028
FORWARD SERVO ROD STOP LEVER	RG8027
SERVO ROD LOCATING PIN	GB5086P
BRAKE SERVO PIN LOCKING PLATE	GB5085P
2BA SETCREW	XC151Z
PULL-OFF SPRING (Servo to master cylinder)	UG2509P



ALL DIAGRAMS REPRODUCED WITH KIND PERMISSION OF BENTLEY MOTORS LIMITED - COPYRIGHT OF BENTLEY MOTORS LIMITED

BRAKES

BRAKE FLUID & SWITCH

RR363 BRAKE FLUID	RR363L1
BRAKE LIGHT SWITCH	DW236U
BRAKE LIGHT SWITCH CONTACT	DB525
BRAKE LIGHT SWITCH PLUNGER	DW233A

BRAKE HOSES

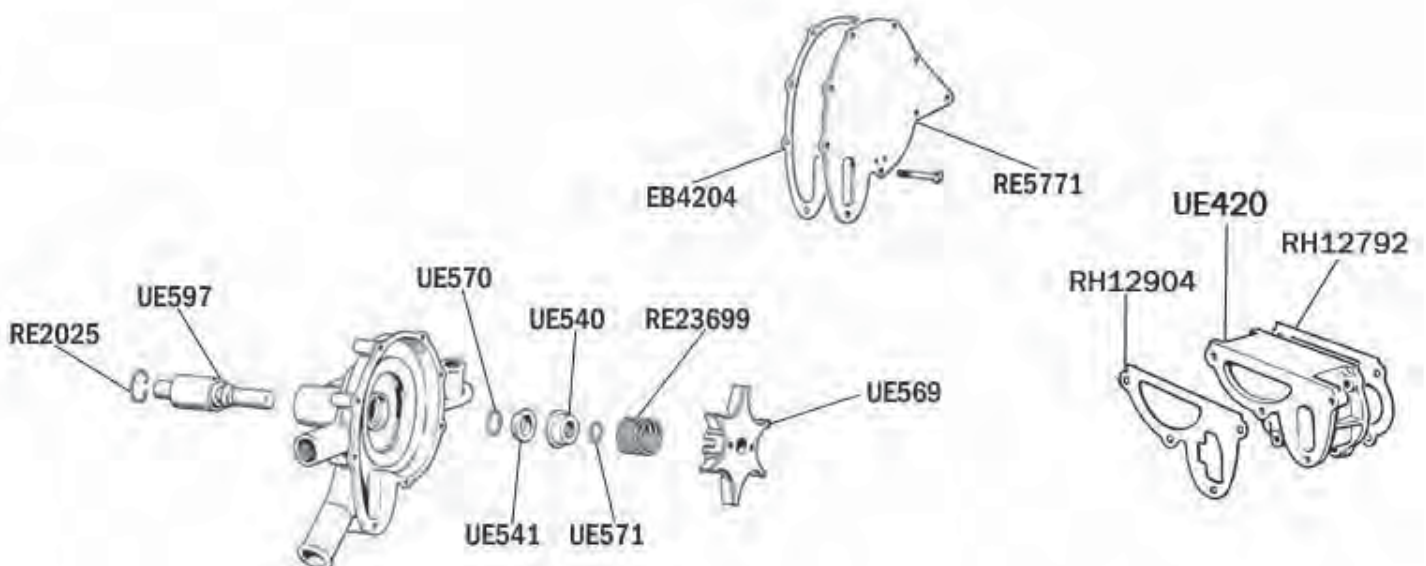
FRONT BRAKE HOSE	CD6241P
WASHER	WHT002850
REAR BRAKE HOSE	CD6249P
HALF NUT	UA353ZP
WASHER	WHT002851P
BRAKE HOSE SEALING WASHER	UR1200P
BRAKE HOSE (Reservoirs to master cylinders - per metre)	UR3235P
BRAKE HOSE (Reservoir to small master cylinder - short)	UR4989
BRAKE HOSE (Reservoir to large master cylinder - long)	UR3235
BRAKE HOSE (Reservoir to large master cylinder - short)	UR3234
BRAKE HOSE (Reservoir to small master cylinder - long)	UR4988

BRAKE PEDAL & LINKAGE

RR CLUTCH & BRAKE PEDAL RUBBER	RF4282
BENTLEY CLUTCH & BRAKE PEDAL RUBBER	RF4281
RR BRAKE PEDAL RUBBER	UR5141
BENTLEY BRAKE PEDAL RUBBER	UR5140P
PULL-OFF SPRING (Master cylinder & throttle pedal)	GB5097P
OILITE BUSH ON EQUALISING BAR	RF7381
S LINK FOR EQUALISER ROD SPRING	RG6025P
CLEVIS PIN	X6507Z

WATER PUMP - SERIES 1 MODELS

WATER PUMP	RH211SXR
WATER PUMP GASKET	EB4204P
WATER PUMP BEARING	UE597P
SPRING RING (Bearing)	RE2025P
COVER SEAL	UE570P
STATIONARY SEALING RING	UE541P
SEALING RING	UE571P
ROTARY SEALING RING	UE540P
SPRING	RE23699
WATER PUMP ROTOR	UE569P
WATER PUMP BACK PLATE	RE5771P
GASKET (Water pump back plate to adapter)	RH12904P
ADAPTER WATER PUMP TO BLOCK	UE420U
GASKET (Water pump adapter to crankcase)	RH12792P
FAN	RE6060U
WATER GALLERY FRONT END PLATE	UE524
COOLANT (5 Litres)	UE70936L5



ALL DIAGRAMS REPRODUCED WITH KIND PERMISSION OF BENTLEY MOTORS LIMITED - COPYRIGHT OF BENTLEY MOTORS LIMITED

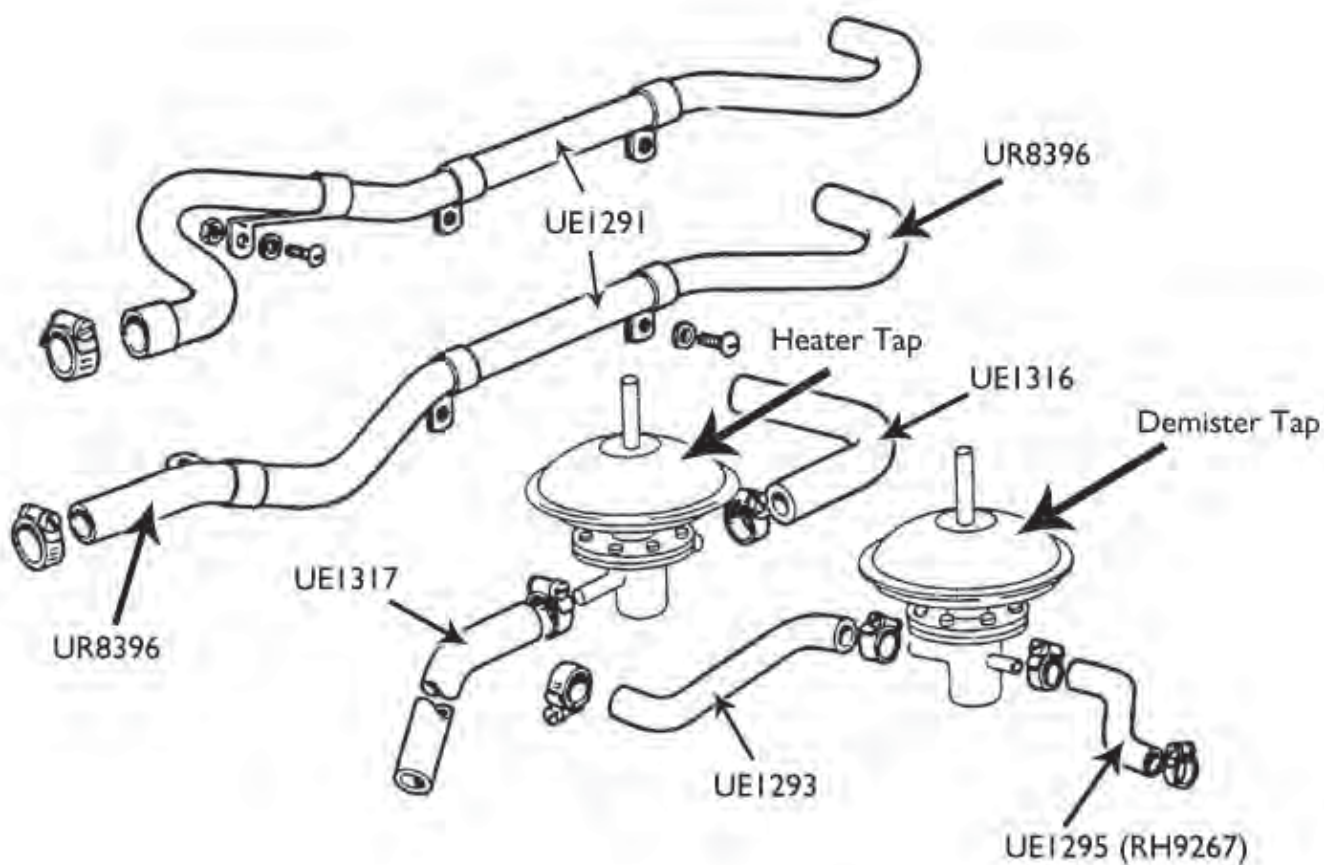
COOLANT & HEATER HOSES - SERIES 1 MODELS

COOLANT HOSES

TOP HOSE	UE1050P
TOP HOSE (Cars with interior cooling)	UE1812P
TOP HOSE (S1 Continental only)	UE3003
BOTTOM HOSE	UE1112P
BYPASS HOSE	RE12659P

HEATER HOSES - EARLY SERIES 1 MODELS

HEATER HOSE (Radiator to heater matrix)	UE1291P
HEATER HOSE (Cylinder head to heater water tap)	UE1317
HEATER HOSE (Heater water tap to matrix)	UE1316
HEATER HOSE (Cylinder head to demister water tap)	UE1293
HEATER HOSE ELBOW (Radiator to demister matrix - interior cooled cars)	UR8396
HEATER HOSE (Demister water tap to matrix)	UE1295
HEATER HOSE (Vacuum tap to demister matrix)	RH9267

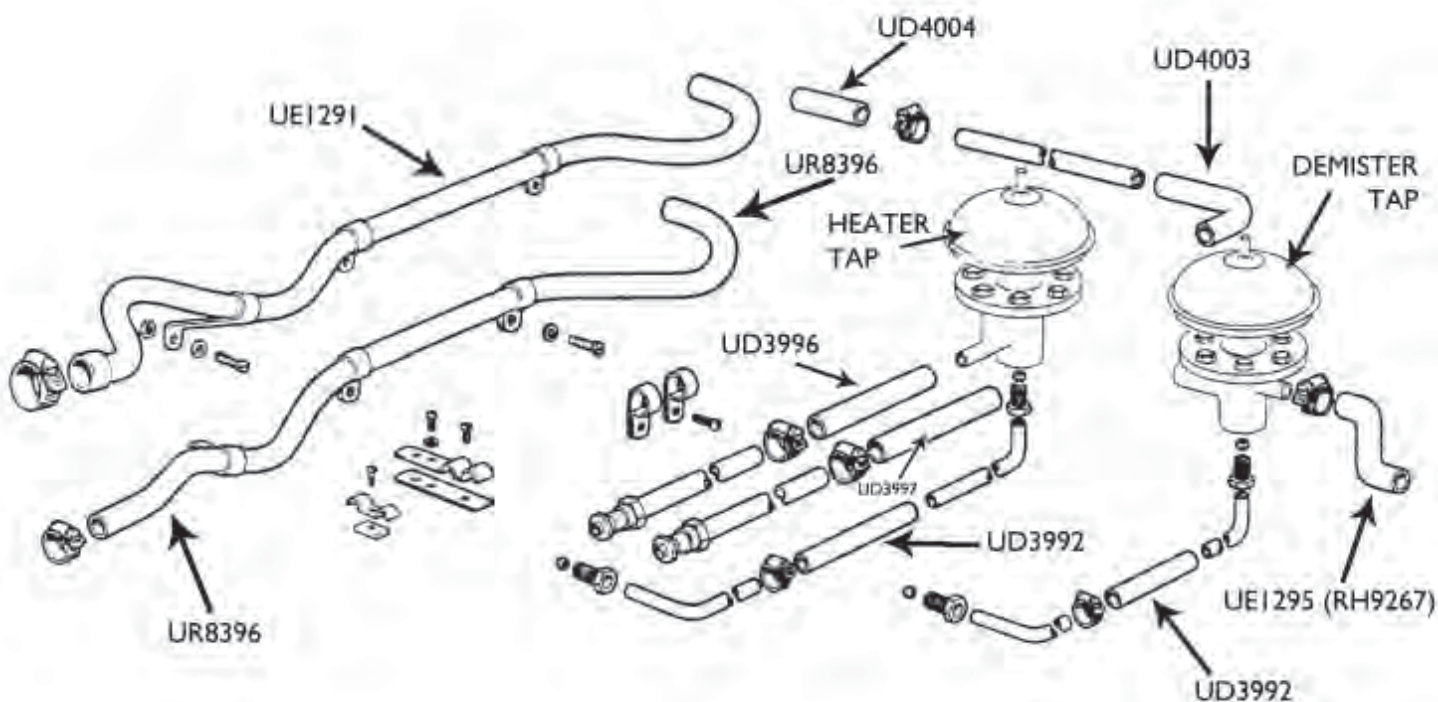


ALL DIAGRAMS REPRODUCED WITH KIND PERMISSION OF BENTLEY MOTORS LIMITED - COPYRIGHT OF BENTLEY MOTORS LIMITED

HEATER HOSES - SERIES 1 MODELS

HEATER HOSES - MID RANGE SERIES 1 MODELS

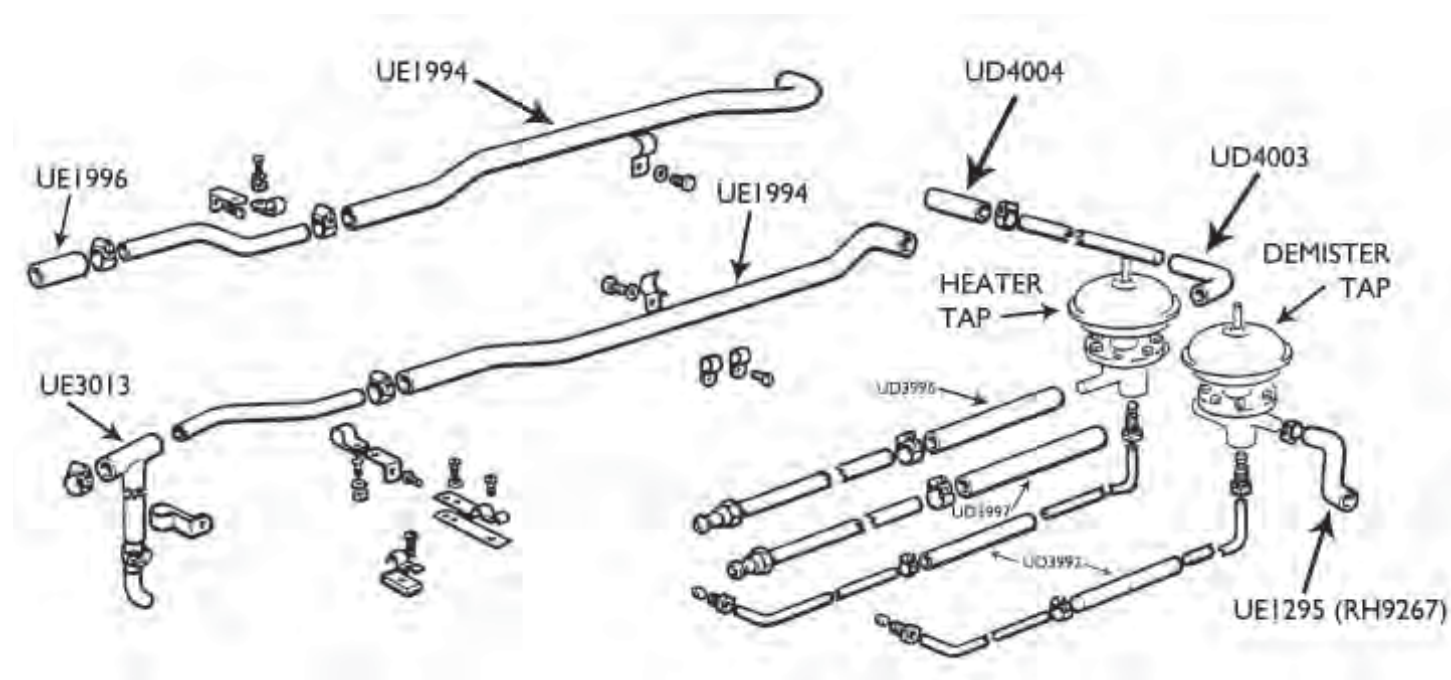
HEATER HOSE (Radiator to heater matrix)	UE1291P
HEATER HOSE ELBOW (Radiator to demister matrix - interior cooled cars)	UR8396
HEATER HOSE (Heater vacuum tap pipe to matrix)	UD4004
HEATER ELBOW (Heater vacuum tap to pipe to matrix)	UD4003
HEATER HOSE (Demister water tap to matrix)	UE1295
HEATER HOSE (Vacuum tap to demister matrix)	RH9267
HEATER HOSE (Demister & heater vacuum taps to bleed pipe)	UD3992
HEATER HOSE (Cylinder head tap to demister vacuum tap)	UD3997
HEATER HOSE (Cylinder head tap to heater vacuum tap)	UD3996



HEATER HOSES - SERIES 1 MODELS

HEATER HOSES - LATE SERIES 1 MODELS

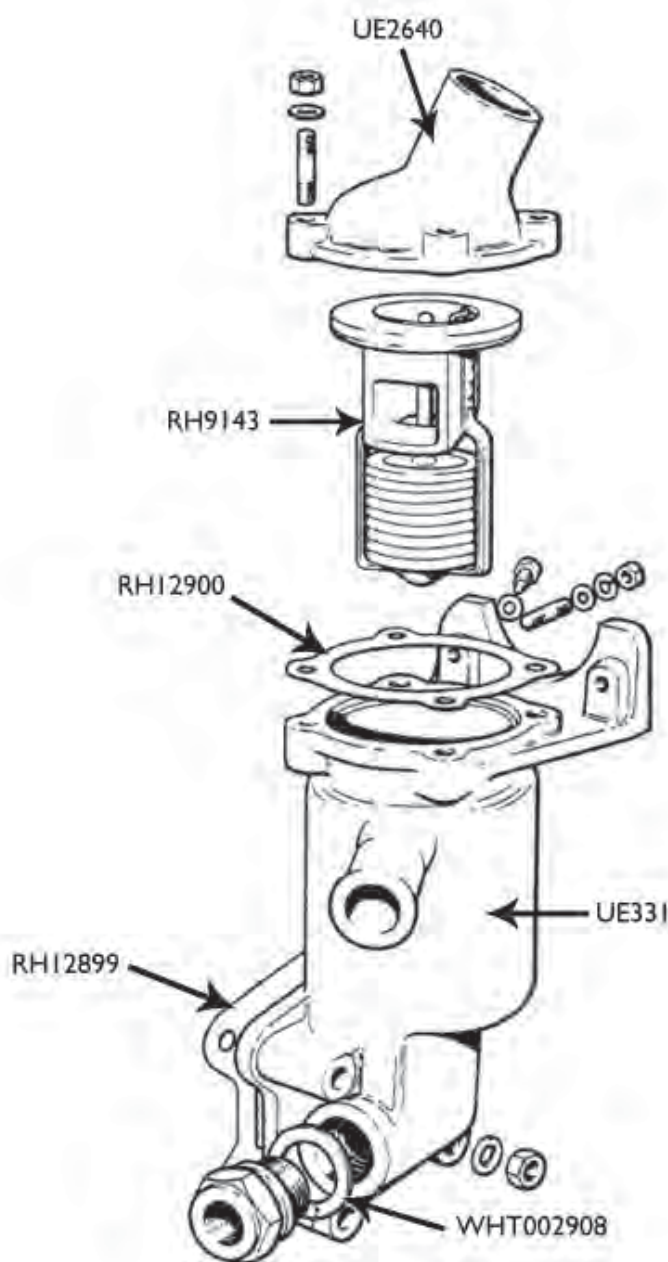
HOSE (Heater & demister matrix to radiator)	UE1994
HEATER HOSE (Heater matrix to radiator pipe)	UE1996
HEATER HOSE (Heater vacuum tap pipe to matrix)	UD4004
HEATER ELBOW (Heater vacuum tap to pipe to matrix)	UD4003
HEATER HOSE (Demister water tap to matrix)	UE1295
HEATER HOSE (Vacuum tap to demister matrix)	RH9267
HEATER HOSE (Demister & heater vacuum taps to bleed pipe)	UD3992
HEATER HOSE (Cylinder head tap to demister vacuum tap)	UD3997
HEATER HOSE (Cylinder head tap to heater vacuum tap)	UD3996



ALL DIAGRAMS REPRODUCED WITH KIND PERMISSION OF BENTLEY MOTORS LIMITED - COPYRIGHT OF BENTLEY MOTORS LIMITED

THERMOSTAT - SERIES 1 MODELS

THERMOSTAT	RH9143P
THERMOSTAT	RH9143PP
THERMOSTAT COVER GASKET	RH12900P
GASKET (Thermostat housing to cylinder head)	RH12899P
THERMOSTAT COVER / OUTLET	UE2640P
WASHER	WHT002908
THERMOSTAT EXTRACTION TOOL	RH639P
THERMOSTAT EXTRACTION TOOL EXTENSION PIECE (For thermostats without threaded holes)	RH639EXTP
LOAN OF THERMOSTAT EXTRACTION TOOL	RH639LOAN

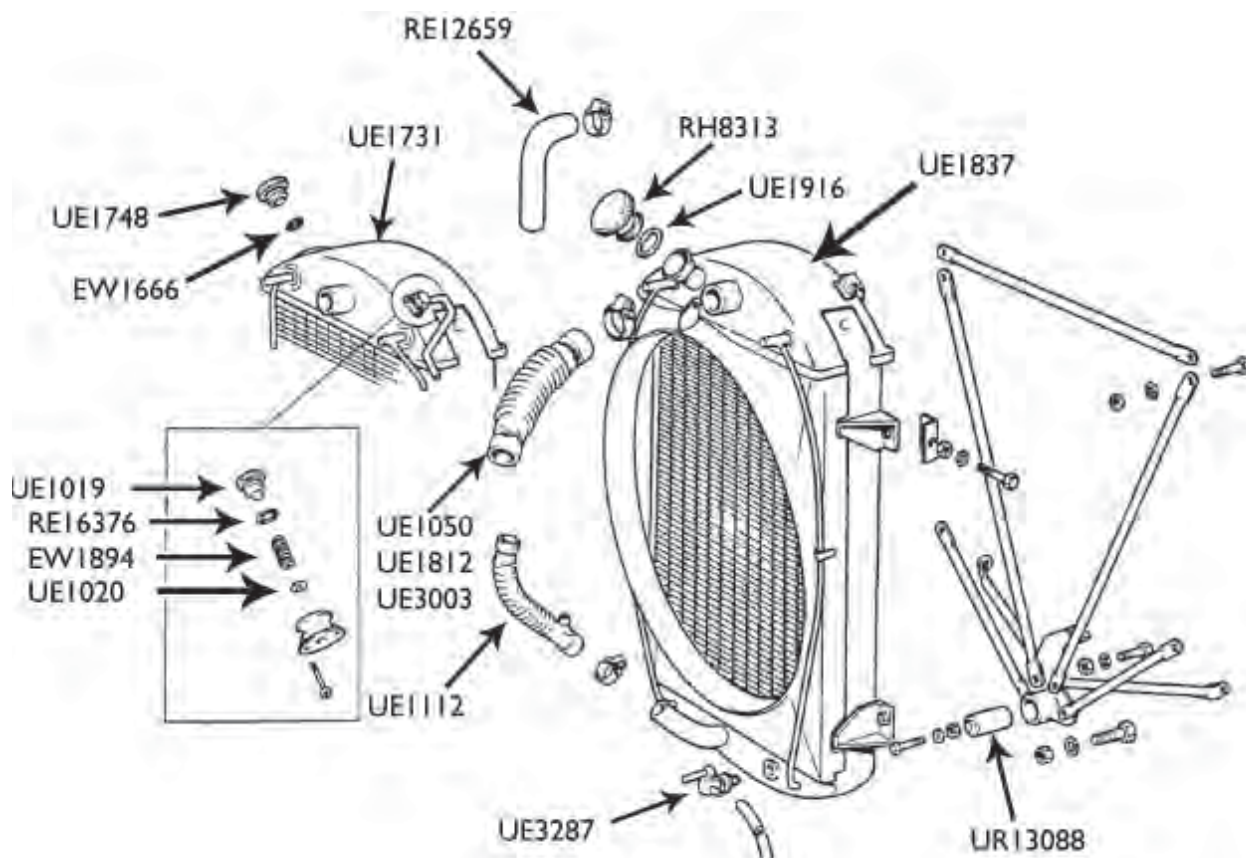


ALL DIAGRAMS REPRODUCED WITH KIND PERMISSION OF BENTLEY MOTORS LIMITED - COPYRIGHT OF BENTLEY MOTORS LIMITED

RADIATOR - SERIES 1 MODELS

RADIATOR - EARLY MODELS

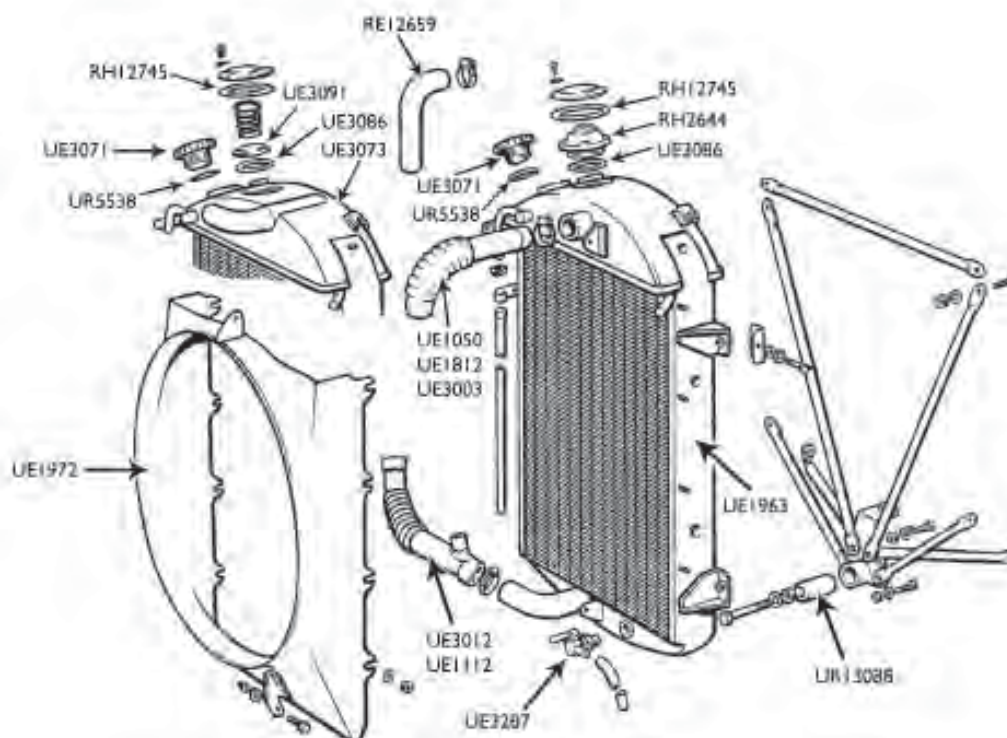
RADIATOR (Early cars with non-pressurised cooling)	UE1731SXR
RADIATOR FILLER CAP (Early cars with non-pressurised cooling)	UE1748
RADIATOR FILLER CAP SEAL	EW1666P
RELIEF VALVE PLUG (Early cars with non-pressurised cooling)	UE1019
WASHER	RE16376
RELIEF VALVE (Early cars with non-pressurised cooling)	UE1020
RADIATOR (Early cars with pressurised cooling)	UE1837SXR
RADIATOR CAP (For early radiators with an off-set cap)	RH8313
SEAL (For off-set radiator cap RH8313)	UE1916
RADIATOR DRAIN TAP	UE3287P
COOLANT (5 Litres)	UE70936L5
TOP HOSE	UE1050P
TOP HOSE (Cars with interior cooling)	UE1812P
TOP HOSE (S1 Continental only)	UE3003
BOTTOM HOSE	UE1112P
BYPASS HOSE	RE12659P
SILENTBLOC BUSH (Stay bar & radiator support)	UR13088



RADIATOR - SERIES 1 MODELS

RADIATOR - LATER MODELS

RADIATOR (Later cars with non-pressurised cooling)	UE3073SXR
STEAM VALVE COVER GASKET	RH12745P
STEAM VALVE (Later cars with non-pressurised cooling)	UE3091
STEAM VALVE SEAL	UE3086P
RADIATOR CAP	UE3071
RADIATOR CAP	UE3071U
RADIATOR CAP SEAL	UR5538P
RADIATOR (Later cars with pressurised cooling)	UE1963SXR
STEAM VALVE (7 PSI)	RH2644P
COOLANT (5 Litres)	UE70936L5
RADIATOR COWLING	UE1972U
RADIATOR DRAIN TAP	UE3287P
SILENTBLOC BUSH (Stay bar & radiator support)	UR13088
TOP HOSE	UE1050P
TOP HOSE (Cars with interior cooling)	UE1812P
TOP HOSE (S1 Continental only)	UE3003
BOTTOM HOSE	UE1112P
BOTTOM HOSE (Later Series 1 models)	UE3012
BYPASS HOSE	RE12659P

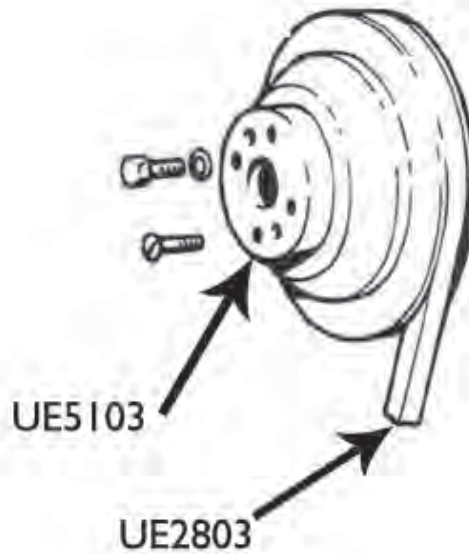


DRIVE BELTS - SERIES 1 MODELS

DRIVE BELTS - CARS WITH MANUAL STEERING

DRIVE BELT (Manual steering)

UE2803P



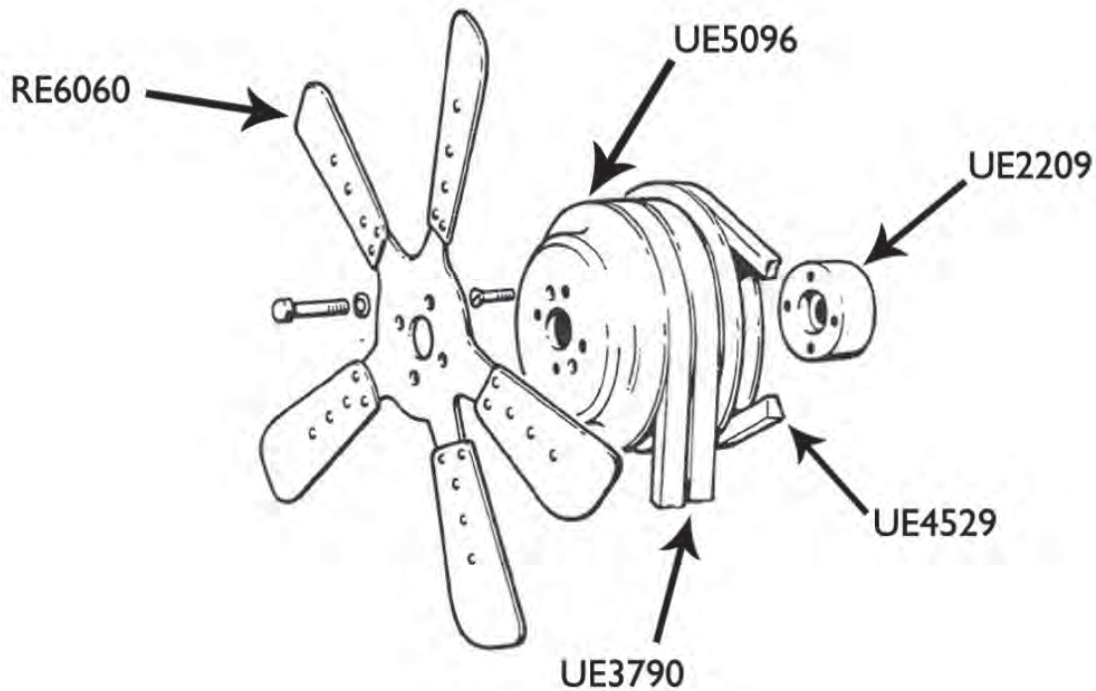
DRIVE BELTS - CARS WITH POWER STEERING & NO INTERIOR COOLING

TWIN DRIVE BELTS (Power steering & no interior cooling)

UE3790

PAS PUMP DRIVE BELT (Power steering & no interior cooling)

UE4529



SENDER & GAUGE

COOLANT TEMPERATURE SENDER (Early Series 1 models - recalibration of gauge required)

UE40361S1P

COOLANT TEMPERATURE GAUGE & SENDER (Early Series 1 models)

UD1357SXR

COOLANT TEMPERATURE SENDER (Late Series 1 models onwards)

UD3012P

COOLANT TEMPERATURE GAUGE (Late Series 1 models)

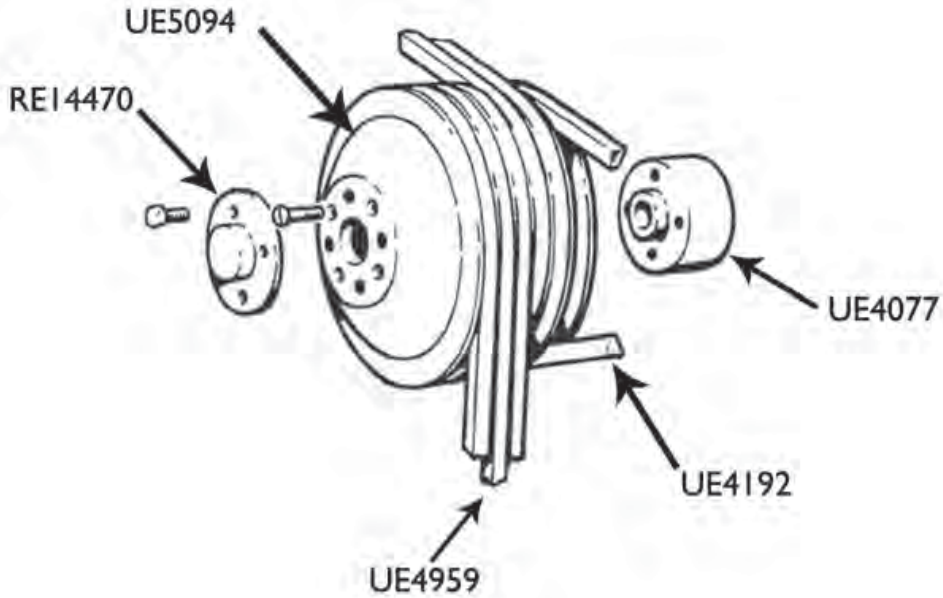
UD3016SXU

ALL DIAGRAMS REPRODUCED WITH KIND PERMISSION OF BENTLEY MOTORS LIMITED - COPYRIGHT OF BENTLEY MOTORS LIMITED

DRIVE BELTS - SERIES 1 MODELS

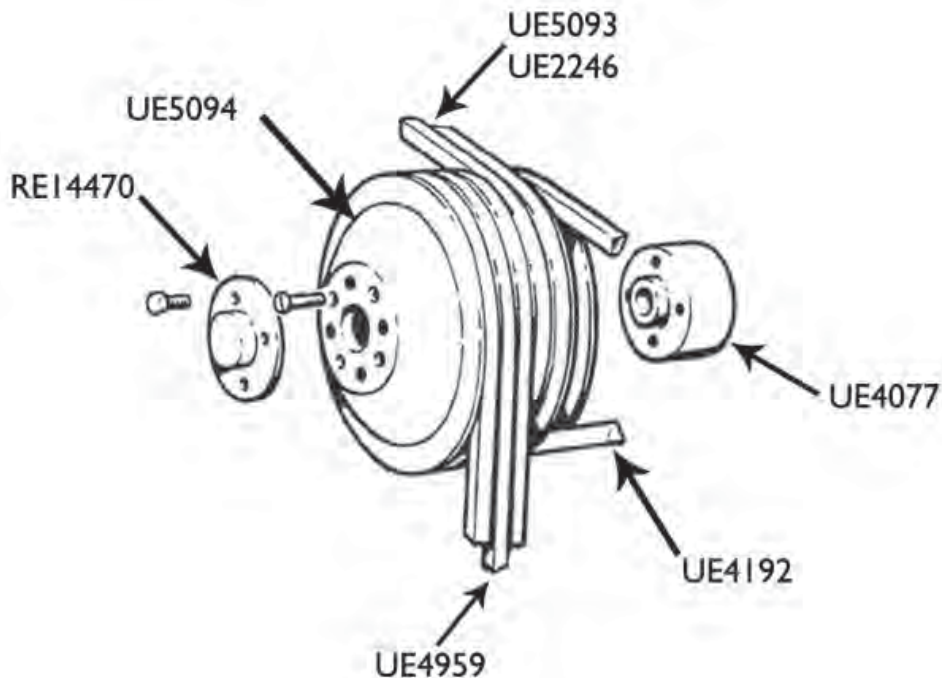
DRIVE BELTS - CARS WITH POWER STEERING & INTERIOR COOLING

TRIPLE DRIVE BELTS (Cars with a standard dynamo pulley)	UE3507
POWER STEERING DRIVE BELT (Single)	UE4192
TRIPLE DRIVE BELTS	UE4959



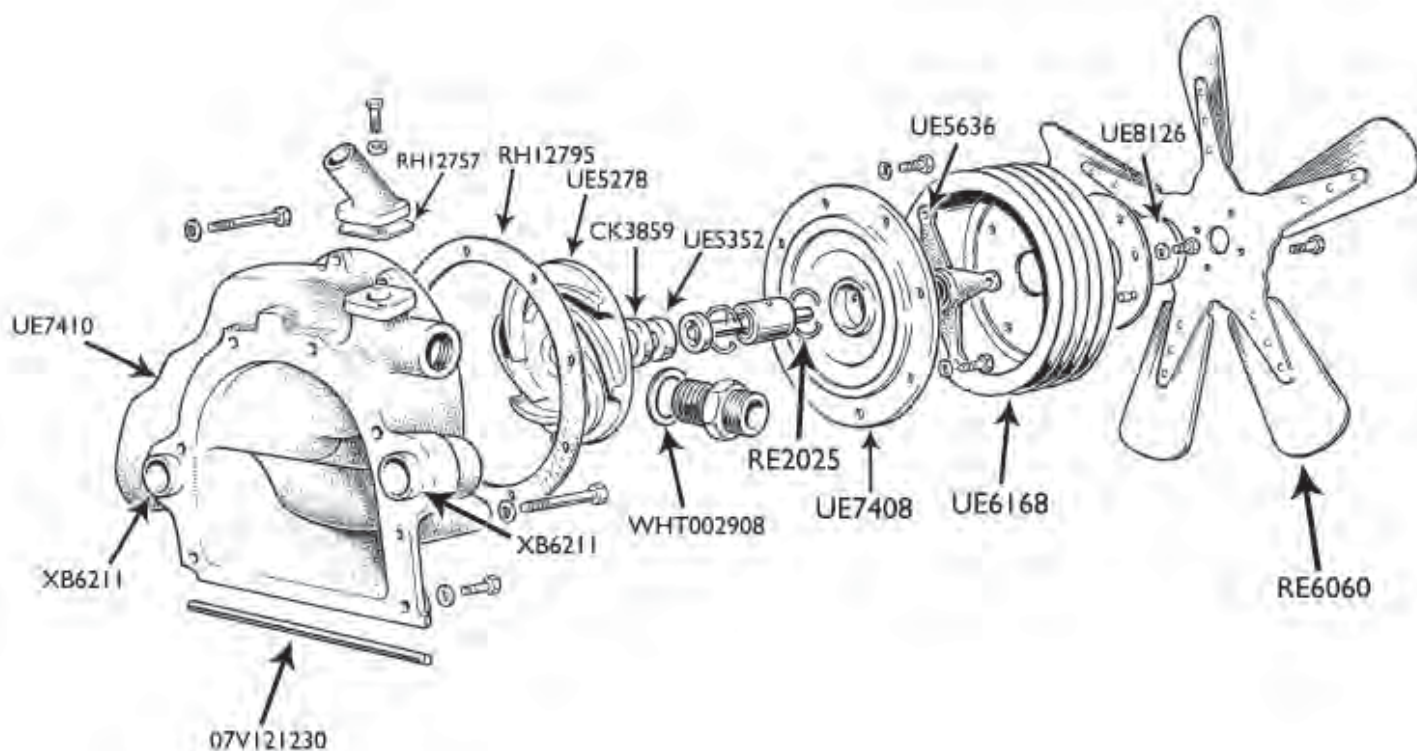
DRIVE BELTS - CARS WITH POWER STEERING & AIR CONDITIONING

POWER STEERING DRIVE BELT (Single)	UE4192
AIR CONDITIONING DRIVE BELTS (Twin for cars with 6" clutch)	UE5093
AIR CONDITIONING DRIVE BELTS (Twin for cars with 8" clutch)	UE2246
TRIPLE DRIVE BELTS (Cars with a standard dynamo pulley)	UE3507
TRIPLE DRIVE BELTS	UE4959



WATER PUMP - SERIES 2 & 3 MODELS

WATER PUMP (including gasket)	UE7411P
WATER PUMP	UE7411SXR
WATER PUMP CASING	UE7408P
WATER PUMP GASKET	RH12795P
MAIN WATER PUMP INTERNAL SEAL	UE5352P
COVER (For water pump internal seal UE5352)	CK3859P
SPRING RING (Bearing)	RE2025P
FAN	RE6060U
BYPASS GASKET	RH12757P
O RING (Water pump housing to crankcase - 2 per engine)	XB6211
WASHER	WHT002908
TIMING COVER SPONGE SEAL	07V121230P
TIMING COVER GASKET	RH12742P
COOLANT (5 Litres)	UE70936L5



ALL DIAGRAMS REPRODUCED WITH KIND PERMISSION OF BENTLEY MOTORS LIMITED - COPYRIGHT OF BENTLEY MOTORS LIMITED

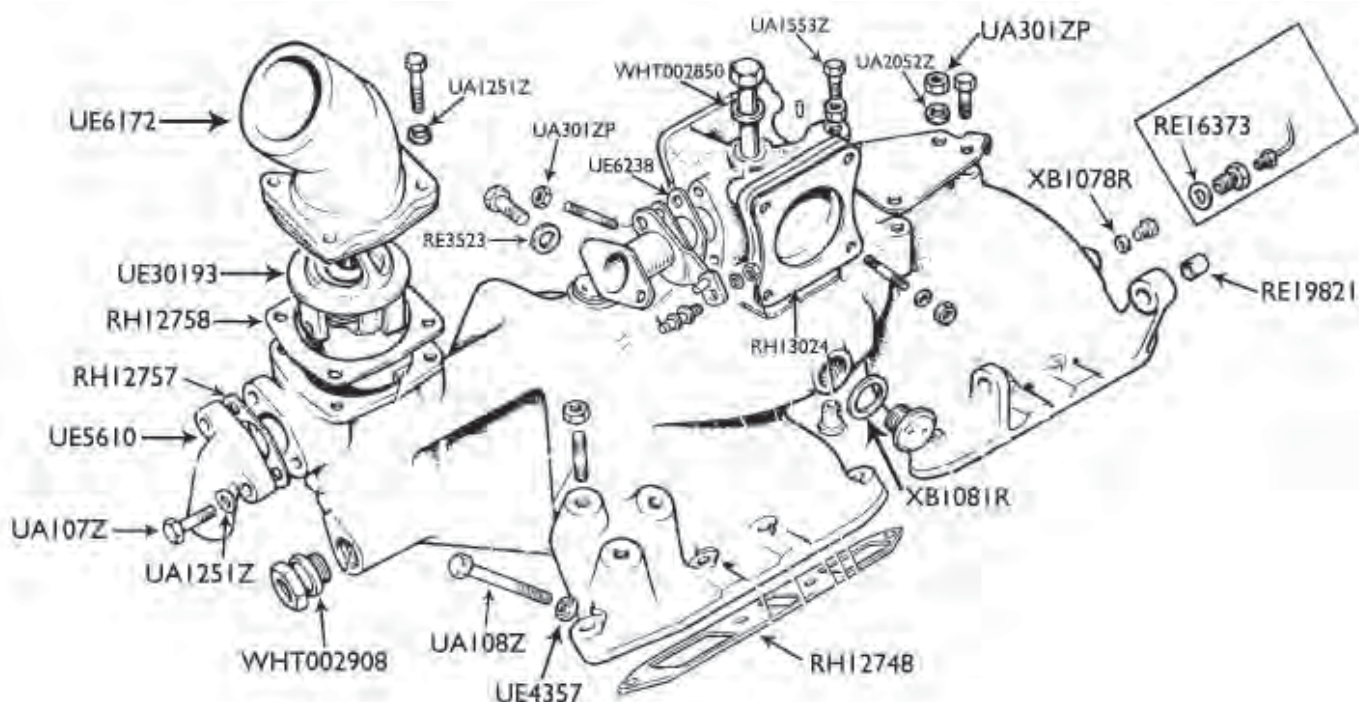
RADIATOR & THERMOSTAT - SERIES 2 & 3 MODELS

RADIATOR

RADIATOR (Series 2 Models)	UE3477SXR
RADIATOR (Series 2 Models)	UE3477U
RADIATOR (Series 3 Models)	UR5654
RADIATOR (Series 3 Models)	UR5654SXR
RADIATOR (Series 3 Models)	UR5654SXU
RADIATOR COWLING	UR5885U
RADIATOR CAP	UE3071
RADIATOR CAP SEAL	UR5538P
STEAM VALVE (7 PSI)	RH2644P
STEAM VALVE SEAL	UE3086P
STEAM VALVE COVER GASKET	RH12745P
RADIATOR DRAIN TAP	UE3287P
SILENTBLOC BUSH (Stay bar & radiator support)	UR13088
COOLANT (5 Litres)	UE70936L5

THERMOSTAT

THERMOSTAT	UE30193P
THERMOSTAT GASKET	RH12758P
THERMOSTAT EXTRACTION TOOL	RH639P
THERMOSTAT EXTRACTION TOOL EXTENSION PIECE (For thermostats without threaded holes)	RH639EXTP
LOAN OF THERMOSTAT EXTRACTION TOOL	RH639LOAN



ALL DIAGRAMS REPRODUCED WITH KIND PERMISSION OF BENTLEY MOTORS LIMITED - COPYRIGHT OF BENTLEY MOTORS LIMITED

COOLANT & HEATER HOSES - SERIES 2 & 3 MODELS

COOLANT HOSES - SERIES 2 MODELS

TOP HOSE (Early Series 2 Models)	UR8127P
TOP HOSE (Late Series 2 Models)	UR5486
TOP HOSE (All Series 3 Models & Continental S2 Models)	UR8125P
BOTTOM HOSE (Early Series 2 models)	RH7358P
BOTTOM HOSE (Mid-range Series 2 models)	RH7489P
BOTTOM HOSE (Late Series 2 & All Series 3 Models)	UR8124P
BYPASS HOSE	UA10407P
ESCAPE HOSE (Radiator steam escape - S2 & S3 Continental models only)	UR5503

COOLANT HOSES - SERIES 3 MODELS

TOP HOSE (All Series 3 Models & Continental S2 Models)	UR8125P
BOTTOM HOSE (Late Series 2 & All Series 3 Models)	UR8124P
BYPASS HOSE	UA10407P
ESCAPE HOSE (Radiator steam escape - S2 & S3 Continental models only)	UR5503

HEATER HOSES - EARLY SERIES 2 MODELS

HEATER HOSE (Feed & return)	UR5488P
HEATER HOSE (Intermediate pipe to water tap)	UR5490P
HEATER HOSE (Crankcase to intermediate pipe)	UR5489P
HEATER RETURN ELBOW	UR5536

HEATER HOSES - LATER SERIES 2 MODELS

UPPER HEATER FEED HOSE (From RH valance plate to heater)	UR5561
UPPER HEATER FEED HOSE (From dash to RH valance plate)	UR5562
LOWER HEATER FEED HOSE (From RH water tap to lower heater)	UR5566
RETURN HOSE (Upper heater to dash)	UR5563
UPPER HEATER RETURN HOSE (Dash to LH valance plate)	UR5564P
LOWER HEATER RETURN HOSE (From heater to engine)	UR5565
HEATER FEED HOSE (LH water tap to dash)	UR5560
HEATER HOSE (Cylinder head to water tap on LH valance)	UR5567P
HEATER HOSE (Crankcase to intermediate pipe)	UR5489P
HEATER HOSE (Intermediate pipe to water tap)	UR5490P
HEATER RETURN ELBOW	UR5536

COOLANT & HEATER HOSES - SERIES 2 & 3 MODELS

HEATER HOSES - SERIES 3 MODELS

HEATER HOSE (Standard cars - heater to return pipe, All other models - vacuum tap to heater matrix)	UR8395P
HEATER HOSE (Standard cars - return hose, All other models - heater water tap to vacuum tap hose)	UR5494P
HEATER HOSE (Crankcase to intermediate pipe)	UR5489P
HEATER HOSE (Intermediate pipe to water tap)	UR5490P
HEATER HOSE (Cylinder head to water tap on LH valance)	UR5567P
UPPER HEATER FEED HOSE (From RH valance plate to heater)	UR5561
LOWER HEATER FEED HOSE (From RH water tap to lower heater)	UR5566
STRAIGHT HEATER HOSE (From LH water tap to heater)	UR5544
FORMED HEATER HOSE (From LH water tap to heater)	UR5545P
LOWER HEATER RETURN HOSE (From heater to engine)	UR5565
HEATER RETURN ELBOW	UR5536

HEATER HOSES - LWB, COACHBUILT & CONTINENTAL SERIES 2 & 3 MODELS

HEATER HOSE (Standard cars - return hose, All other models - heater water tap to vacuum tap hose)	UR5494P
HEATER HOSE (Standard cars - heater to return pipe, All other models - vacuum tap to heater matrix)	UR8395P
HEATER HOSE ELBOW (Radiator to demister matrix - interior cooled cars)	UR8396
HEATER HOSE (Demister matrix to water pump)	UR5492
HEATER HOSE (Vacuum tap to demister matrix)	RH9267
HEATER HOSE (Heater matrix to water pump)	UR5491
HEATER BLEED HOSE (Water tap to vacuum tap)	UR5495
CONNECTING HOSE (To demister return pipe)	UR5493
HEATER HOSE (Cylinder head to demister water tap)	UR5496

TEMPERATURE SENDER

COOLANT TEMPERATURE SENDER	UD3012P
----------------------------	---------

DRIVE BELTS

TWIN DRIVE BELTS (Coolant)	RH9265
TWIN DRIVE BELTS (Crank & dynamo)	RH9263

ELECTRICAL

BATTERY LID & FUSES

BATTERY COVER (Bakelite)	UD1679P
FUSE CARRIER (Early Series 1 Models)	RD3686
FUSE CARRIER (Late Series 1, All Series 2 & 3 Models)	UD4589
FUSE CARRIER (Late Series 1, All Series 2 & 3 Models)	UD4589U
BASE, FUSE BOARD	RD6685U
COVER, FUSE BOARD	RD3032U
CLIP, COVER TO BASE	RD6686U
FUSE BOX BASE (For electric window fuses)	UD2471
FUSE BOX LID FOR UD2471	UD2473U
SPARE FUSE WIRE & HOLDER	DW432P
SPRING FOR FUSE BOX LID UD2471	UD2454U
20 AMP FUSE WIRE (36m reel)	20AMPFUSEWIRE

DYNAMO & REGULATOR

C47 DYNAMO	RH685SXR
C47 ALTERNATOR CONVERSION	RH685ALTSXR
C48 DYNAMO	UD4341SXR
C48 ALTERNATOR CONVERSION	UD4341ALTSXR
VOLTMETER CONVERSION (For Series 1 models)	UD1358VOLTSXR
VOLTMETER CONVERSION (For Series 2 & 3 models)	UD4566VOLTSXR
DYNAMO BRUSH SET (2 Brushes)	UD2569
RB310 VOLTAGE REGULATOR	RB310SXR
RB340 VOLTAGE REGULATOR (30 AMPS)	RH9196P

HORNS

HIGH TONE HORN	UD5583P
HIGH TONE HORN	UD2102U
LOW TONE HORN	UD5582P
LOW TONE HORN	UD2307U
HORN RELAY	RD8145U

ELECTRICAL - LAMPS

HEADLAMPS - SERIES 1 & 2 MODELS

PAIR OF HALOGEN HEADLAMPS & BULBS	UD1781P
SILVER CLOUD HEADLAMP (For early models with RR emblem)	CD1363P
HEADLAMP (For early models with B emblem)	CD1365P
HEADLAMP BULB (Double filament 50/40 watt)	RD5296P
HEADLAMP SEAL (Single headlamp to bezel)	CD405P
HEADLAMP BEZEL SEAL (Single headlamp to wing)	CD548P
HEADLAMP DIPSWITCH	RD8143P

SIDELAMPS & INDICATORS - SERIES 1 & 2 MODELS

FRONT SIDE LIGHT	CD549P
RED REFLECTOR ON TOP OF SIDE LIGHT	CD898P
BULB (12V / 6W)	RD4997P
SIDELAMP SEAL	CD549SA2
MARCHAL LAMP (B post)	UD2161
MARCHAL LAMP (B post)	UD2161U
LENSES FOR MARCHAL B/C POST LAMP	UD2161LENS
MARCHAL LAMP LENS SEAL	UD2161LENSSEAL
MARCHAL LAMP SEAL (Lamp to car body)	UD2161SEAL
FESTOON BULB (12V / 5W)	RD4241P
FLASHER RELAY	UD1511
FLASHER RELAY	UD1511U
INDICATOR STALK (Early Series 2 Models)	UR5479
FRONT SIDE LIGHT (Park Ward Continental & Phantom V)	UD4845

ELECTRICAL - LAMPS

REAR LAMPS - SERIES 1 & 2 MODELS

AMBER LENS (Single lens rear lamp)	CD2863P
RED LENS (Single lens rear lamp - US spec)	CD2864P
REAR LAMP ASSEMBLY (Single amber lens rear lamp)	UD1716U
REFLECTOR (Rear lamp)	CD2261P
BULB (12V 21/5W - Stop lamp)	RD6602P
BULB (12V / 21W)	UD1354P
SEAL (Rear lamp lens to body)	CD2863KFS
REAR LAMP TO BODY SEAL (Single lens lamp)	CD384P
REVERSE & NUMBER PLATE LAMP ASSEMBLY	UD1484
REVERSE/NUMBER PLATE LAMP CHROME COVER	CD3596P
REVERSE / NO PLATE LAMP LENS	CD126U
REVERSE / NUMBER PLATE LAMP SEAL	CD2245P
BULB (12V / 6W)	RD4997P
NUMBER PLATE LAMP (Mulliner & James Young models)	RD5248
STOP & TAIL LAMP (Early Park Ward Continental models)	RH9284
REAR AMBER FLASHER LAMP (Early Park Ward Continental models)	RH8403
FLASHER RELAY	UD1511
FLASHER RELAY	UD1511U
INDICATOR STALK (Early Series 2 Models)	UR5479

HEADLAMPS - SERIES 3 MODELS

INNER HEADLAMP RHD & LHD (Halogen)	UD21663P
INNER HEADLAMP RHD & LHD (Sealed beam)	UD21663
OUTER HEADLAMP RHD (Halogen)	UD21664P
OUTER HEADLAMP RHD (Sealed beam with halogen bulb)	JNV941029
OUTER HEADLAMP LHD (Halogen)	UD21666P
OUTER HEADLAMP LHD (Sealed beam with halogen bulb)	UD21666
HEADLAMP CHROME RETAINING RING	CD3103
HEADLAMP SEAL (Twin headlamp to rim)	UD11630
HEADLAMP SEAL (Twin headlamp bowl to wing)	CD3109P
CHROME BEZEL (Twin headlamps - Series 3 models)	UB5303
CHROME BEZEL (Twin headlamps - Series 3 models)	UB5303R
CHROME BEZEL (Twin headlamps - Series 3 models)	UB5303U
SEAL (For twin headlamp bezel UB5303 - 1 metre length)	UB5178
RH CHROME BEZEL (Twin headlamps - Chinese Eye models)	728/1011U
LH CHROME BEZEL (Twin headlamps - Chinese Eye models)	727-1011U

ELECTRICAL - LAMPS

SIDELAMPS & INDICATORS - SERIES 3 MODELS

FRONT INDICATOR / SIDE LIGHT	UD17813U
CLEAR LENS (Front Side/ Indicator Light)	CD3115P
AMBER LENS (Front Side/ Indicator Light)	CD3119P
SEAL FRONT SIDELIGHT LENSES	CD3116P
INDICATOR/ SIDELAMP TO WING GASKET	CD4861P
BULB (12V / 21W)	UD1354P
BULB (12V / 6W)	RD4997P
MARCHAL LAMP (B post)	UD2161
MARCHAL LAMP (B post)	UD2161U
LENSES FOR MARCHAL LAMP	UD2161LENS
MARCHAL LAMP SEAL	UD2161SEAL
MARCHAL LAMP LENS SEAL	UD2161LENSSEAL
FESTOON BULB (12V / 5W)	RD4241P
FLASHER RELAY	UD1511
FLASHER RELAY	UD1511U

REAR LAMPS - SERIES 3 MODELS

REAR LAMP ASSEMBLY	UD8215
REAR LAMP ASSEMBLY	UD8215P
REAR LAMP BASE	CD2272P
RED LENS	CD2258P
AMBER LENS	CD2256P
RED INDICATOR LENS REAR LAMP (US spec)	CD2257P
REFLECTOR (Rear lamp)	CD2261P
REAR LAMP TO BODY SEAL (Double lens lamp)	CD2270P
SEAL (Rear lamp lenses)	CD2260
BULB (12V / 21W)	UD1354P
BULB (12V 21/5W - Stop lamp)	RD6602P
REVERSE & NUMBER PLATE LAMP ASSEMBLY	UD1484
REVERSE/NUMBER PLATE LAMP CHROME COVER	CD3596P
REVERSE / NO PLATE LAMP LENS	CD126U
REVERSE / NUMBER PLATE LAMP SEAL	CD2245P
BULB (12V / 6W)	RD4997P

ELECTRICAL - LAMPS

INTERIOR LAMPS

ROOF LAMP ASSEMBLY	UD1644U
GLASS ROOF LAMP LENS	UD4083U
PLASTIC ROOF LAMP LENS	CD1570
BULB (12V / 24W)	RF4518
SEESAW SWITCH (Roof and boot lamps)	RD3572U
INTERIOR BOOT LAMP	UD1840U
BULB (12V / 6W)	RD4997P
MERCURY SWITCH BOOT LAMP	UD1751U
GREEN LENS (Capping rail lamp)	UD4934U
FESTOON BULB (12V / 5W)	RD4241P

FOG LAMPS

COMPLETE FOG LAMP ASSEMBLY	UD2202P
COMPLETE FOG LAMP ASSEMBLY	UD2202U
FOG / FLASHER LAMP LENS & REFLECTOR	UD2202FOG
SPOT LAMP LENS & REFLECTOR	UD2202SPOTP
BULB (Amber double filament - 12V 38/21W)	UD2499P
BULB (Single filament- 12V/48W)	RF4516P
FLASHER RELAY	UD1511
FLASHER RELAY	UD1511U

LAMPS FOR CONTINENTAL AND PHANTOM V & VI MODELS

FRONT SIDE LIGHT (Park Ward Continental & Phantom V)	UD4845
NUMBER PLATE LAMP (Mulliner & James Young models)	RD5248
STOP & TAIL LAMP (Early Park Ward Continental models)	RH9284
REAR AMBER FLASHER LAMP (Early Park Ward Continental models)	RH8403

RADIO & AERIAL

AERIAL ASSEMBLY (Excluding knob)	RD6598AP
AERIAL KNOB	RD6599P
ROOF AERIAL MAST	RD6598MAST
ROOF AERIAL CHROME BASE	RD6598P
AERIAL SEAL	CD123P
RADIO	UD4503U

STARTER MOTOR - SERIES 1 MODELS

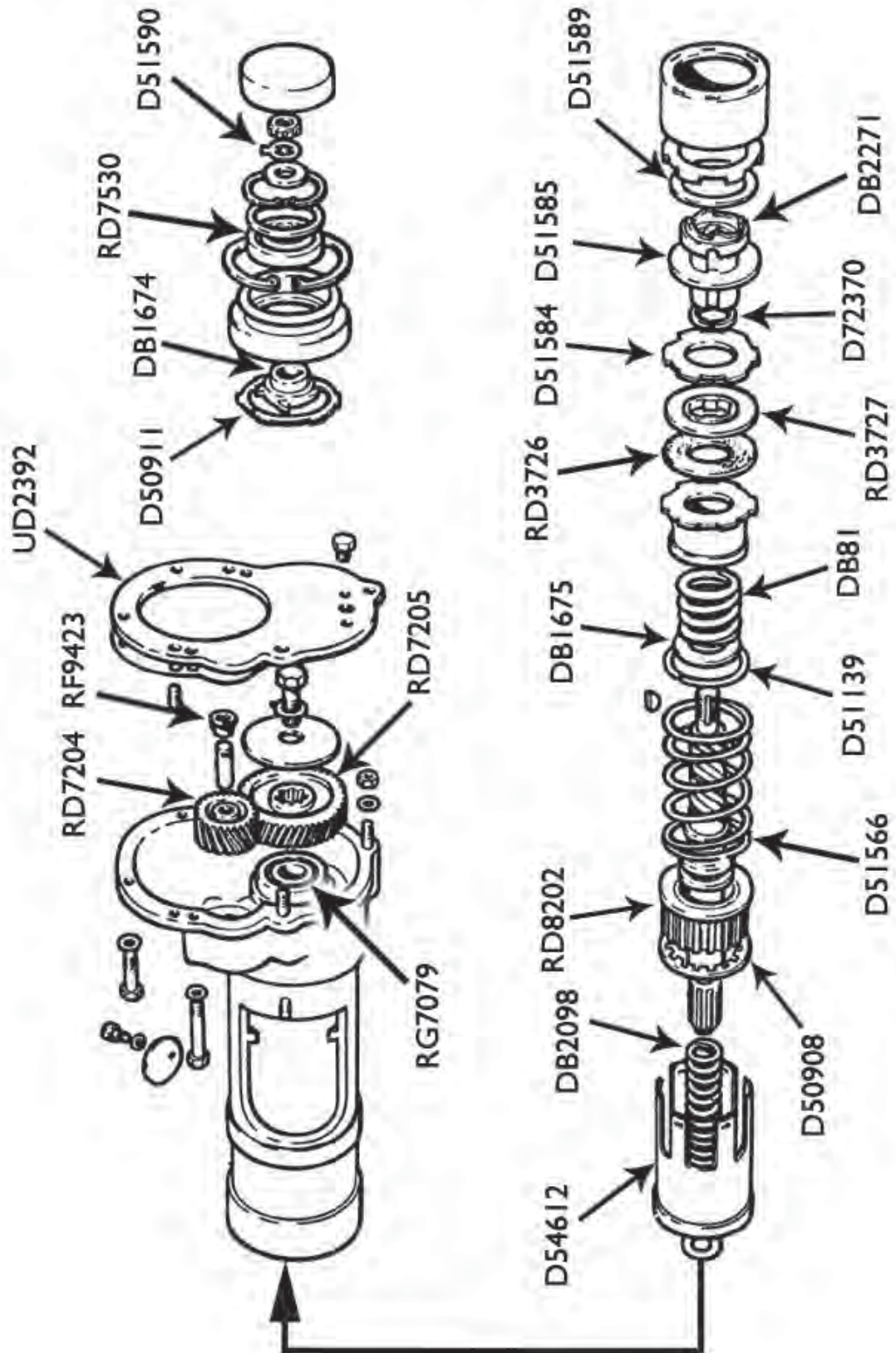
STARTER MOTOR & SWITCH - SERIES 1 MODELS

STARTER MOTOR	RD8399SXR
STARTER MOTOR PINION GEAR (Series 1 models)	RD7203
STARTER MOTOR RETAINING BRACKET (To bell housing)	RE18226P
STARTER SWITCH (Original push button type)	UD4181P
STARTER SOLENOID	RH8312

STARTER MOTOR DRIVE / BENDIX - SERIES 1 MODELS

STARTER DRIVE ASSEMBLY (Early RHD cars)	RH2000SXU
STARTER DRIVE ASSEMBLY (Later RHD cars)	RH2002SXU
SHELL	D54612P
STARTER DRIVE CLUTCH FRICTION DISC (7 per drive)	RD3726P
LOCKING WASHER	D51590
FIBRE WASHER (Outer plate to cover)	D51589P
IDLER GEAR (Starter motor drive)	RD7204
DRIVEN GEAR (Starter motor drive)	RD7205
OILITE BUSH	RF9423
FRONT COVER GASKET	UD2392
LOCKING RING (Front cover to shell)	D50911
FIBRE WASHER	D50908P
STARTER MOTOR PINION	RD8202
CLUTCH DISC (With spigot - 3 per drive)	RD3727
CLUTCH DISC (Without spigot - 3 per drive)	D51584P
DRIVING SPRING	DB81
DAMPER SPRING RETAINING WASHER	DB1675
ENGAGING SPRING	D51566
DAMPER SPRING	DB2098P
REAR BEARING (Starter motor drive)	RD7530
FRONT BEARING (Starter motor drive)	RG7079P
OUTER CLUTCH PLATE	D51585
OPERATING STOP BUSH	DB1674
OPERATING NUT	DB2271
SPRING RING (Outer clutch plate retaining)	D72370

STARTER MOTOR DRIVE - SERIES 1 MODELS



ALL DIAGRAMS REPRODUCED WITH KIND PERMISSION OF BENTLEY MOTORS LIMITED - COPYRIGHT OF BENTLEY MOTORS LIMITED

ELECTRICAL

STARTER MOTOR - SERIES 2 & 3 MODELS

MODERN HIGH TORQUE STARTER MOTOR	UD8973P
LUCAS STARTER MOTOR	UD8973R
LUCAS STARTER MOTOR BRUSH SET	CD4751
STARTER SWITCH (Original push button type)	UD4181P
STARTER SOLENOID	RH8312

DASHBOARD SWITCHES

INDICATOR STALK (Early Series 2 Models)	UR5479
PETROL FILLER DOOR SWITCH	UD1817U
MAP & INSTRUMENT LIGHT SWITCH	UD1708U
WINDSCREEN WIPER & WASHER SWITCH	UD1710U
HEATER & DEMISTER SWITCH	UD1706U
REAR WINDOW DEMIST SWITCH	UD1534
REAR WINDOW DEMIST SWITCH	UD1534U
SWITCH, OIL/FUEL LEVEL	RD3133
SWITCH, OIL/FUEL LEVEL	RD3133U
UPPER HEATER SWITCH (Series 2 & 3 Models)	UD3850
UPPER HEATER SWITCH (Series 2 & 3 Models)	UD6299
LOWER HEATER SWITCH	UD3851U
HEATER & DEMISTER CONTROL VALVE	UD1808
CHARGING SOCKET, DASHBOARD	RD7056U
SCINTILLA SWITCH, INDICATOR	UD1871U
BAKELITE KNOB, SCINTILLA SWITCH	UD1712U
SWITCH FUEL/OIL LEVEL	UD4702U
SWITCH PETROL FILLER FLAP	UD4371
SWITCH (Windscreen wiper & washer)	UD4667U
ROCKER SWITCH DEMISTER	UD8121U
SWITCH PANEL & CAPPING LIGHTS	UD5468U
HEADLAMP DIPSWITCH	RD8143P
REAR WINDOW DEMISTER RELAY	UD4340
SWITCH (Gear change, fast idle & handbrake warning)	UG4049P
SWITCH (Gear change, fast idle & handbrake)	UG4049U

ELECTRICAL - SWITCHES & WIPERS

CARBURETTER SWITCHES

OIL PRESSURE SWITCH (Choke solenoid)	RH2868
BI-METAL SWITCH (Choke)	UD1819U

SENDERS

COOLANT TEMPERATURE SENDER (Early Series 1 models - recalibration of gauge required)	UE40361S1P
COOLANT TEMPERATURE SENDER (Late Series 1 models onwards)	UD3012P
SENDER (Oil pressure gauge)	UD11663
SENDER (Oil pressure gauge)	RD7894U

BRAKE SWITCHES

BRAKE LIGHT SWITCH	DW236
BRAKE LIGHT SWITCH	DW236U
BRAKE LIGHT SWITCH CONTACT	DB525

BODY SWITCHES

ELECTRIC WINDOW LIFT SWITCH	UD11788P
ELECTRIC WINDOW LIFT SWITCH	UD11788SXR
ELECTRIC WINDOW LIFT SWITCH	UD11788U
SWITCH (Gear change, fast idle & handbrake warning)	UG4049P
SWITCH (Gear change, fast idle & handbrake)	UG4049U
MERCURY SWITCH BOOT LAMP	UD1751U
SWITCH, COURTESY LIGHT	RD3830U
SEESAW SWITCH (Roof and boot lamps)	RD3572U
FUEL FLAP SOLENOID	UD3939U

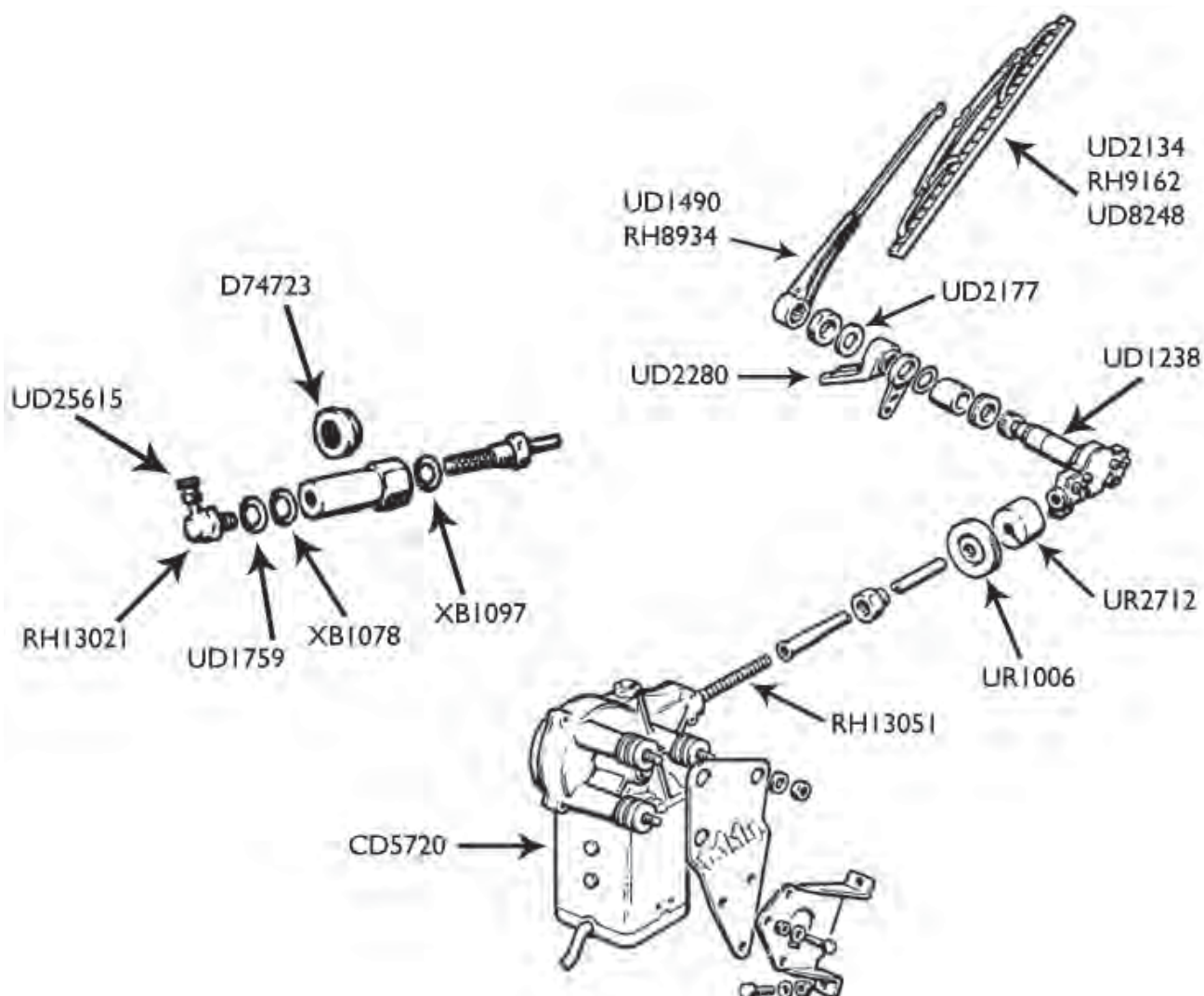
WIPER MOTOR, ARMS & BLADES - SERIES 1

WIPER MOTOR (Lucas DR1)	CD5720
WIPER MOTOR (Lucas DR1)	CD5720SXR
WIPER RACK	RH13051P
GROMMET (Wiper rack to bulkhead)	UR1006
GROMMET (Inner dash for wiper rack - Series 1 models)	UR2712
WIPER STOP RUBBER	UB5142
WIPER ARM (Bayonet fitting)	UD1490P
WIPER BLADE (Bayonet fitting)	RH9162P
WIPER ARM (Spoon fitting)	RH8934P
WIPER BLADE (Spoon fitting)	UD2134P
11" WIPER BLADE (Bayonet fitting)	UD8248P

WINDSCREEN WASHERS - SERIES 1 MODELS

WINDSCREEN WASHER BOTTLE, JET & WHEELBOX - EARLY SERIES 1 MODELS

WASHER BOTTLE ASSEMBLY (Round glass bottle)	RF6351P
ROUND WASHER BOTTLE	RF6351U
SINGLE WINDSCREEN WASHER JET	RH13021P
SINGLE WINDSCREEN WASHER JET	RH13021U
WINDSCREEN WASHER JET	UD25615
GROMMET (For single windscreen washer jet)	D74723
LEATHEROID WASHER (Single windscreen washer jet)	UD1759
SEALING WASHER	XB1078RP
WASHER (Single windscreen washer jet adapter to filter)	XB1097R
WINDSCREEN WIPER WHEELBOX	UD1238
WINDSCREEN WIPER WHEEL BOX	UD1238U
ESCUTCHEON (Wheelbox to wiper arm - single washer jet)	UD2280
FABRIC SEAL (For wheelbox escutcheon)	UD2177

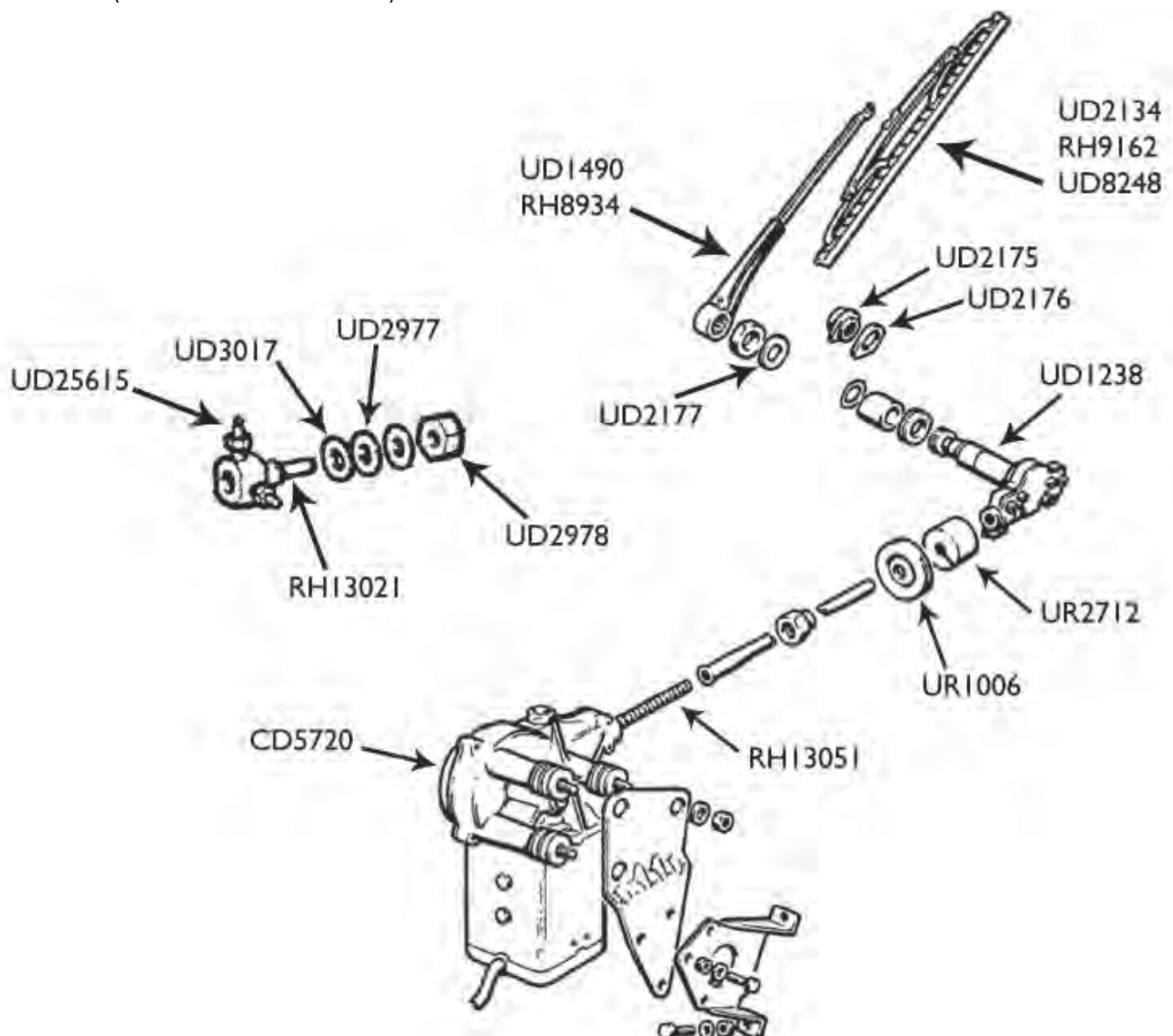


ALL DIAGRAMS REPRODUCED WITH KIND PERMISSION OF BENTLEY MOTORS LIMITED - COPYRIGHT OF BENTLEY MOTORS LIMITED

WINDSCREEN WASHERS - SERIES 1 MODELS

WINDSCREEN WASHER BOTTLE, JET & WHEELBOX - LATER SERIES 1 MODELS

WASHER BOTTLE ASSEMBLY (Round glass bottle)	RF6351P
ROUND WASHER BOTTLE	RF6351U
TWIN WINDSCREEN WASHER JET ASSEMBLY (Holder & jets)	UD2975
WINDSCREEN WASHER JET	UD25615
SEALING WASHER (Windscreen washer jet)	UD2977
LEATHEROID WASHER (Twin windscreen washer jet)	UD3017
WINDSCREEN WIPER WHEELBOX	UD1238
WINDSCREEN WIPER WHEEL BOX	UD1238U
ESCUTCHEON (Wheelbox to wiper arm - twin washer jet)	UD2175
SEALING WASHER (For escutcheon UD2175)	UD2176
FABRIC SEAL (For wheelbox escutcheon)	UD2177

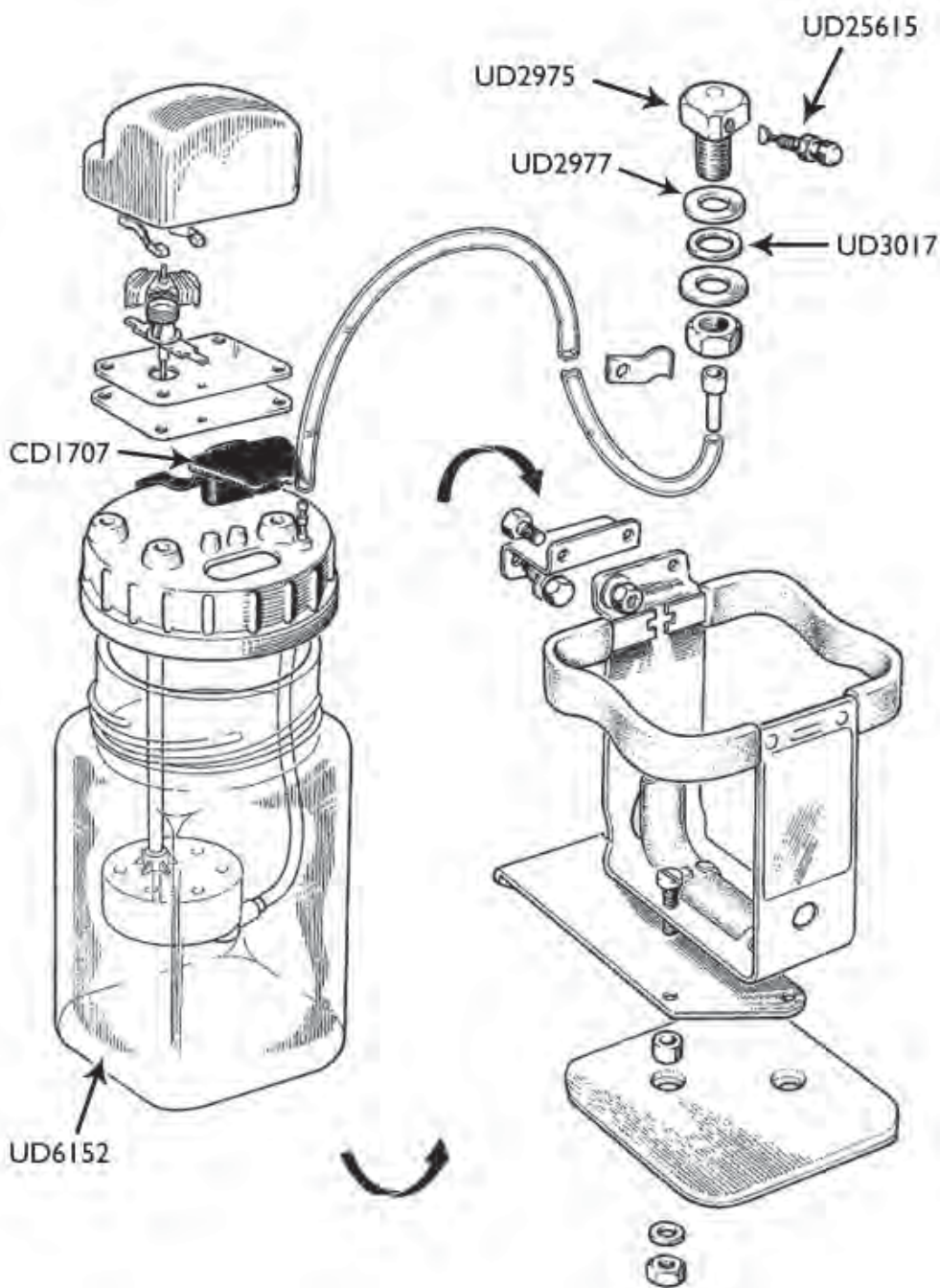


ALL DIAGRAMS REPRODUCED WITH KIND PERMISSION OF BENTLEY MOTORS LIMITED - COPYRIGHT OF BENTLEY MOTORS LIMITED

WINDSCREEN WASHERS - SERIES 2 & 3 MODELS

WINDSCREEN WASHER SYSTEM - SERIES 2 & 3 MODELS

WASHER BOTTLE ASSEMBLY (Square glass bottle)	UD6152P
SQUARE WASHER BOTTLE (Bottle only)	UD6152U
RUBBER CAP (Washer bottle)	CD1707P
TWIN WINDSCREEN WASHER JET ASSEMBLY (Holder & jets)	UD2975
WINDSCREEN WASHER JET	UD25615
SEALING WASHER (Windscreen washer jet)	UD2977
LEATHEROID WASHER (Twin windscreen washer jet)	UD3017



ALL DIAGRAMS REPRODUCED WITH KIND PERMISSION OF BENTLEY MOTORS LIMITED - COPYRIGHT OF BENTLEY MOTORS LIMITED

ELECTRIC WINDOW LIFT

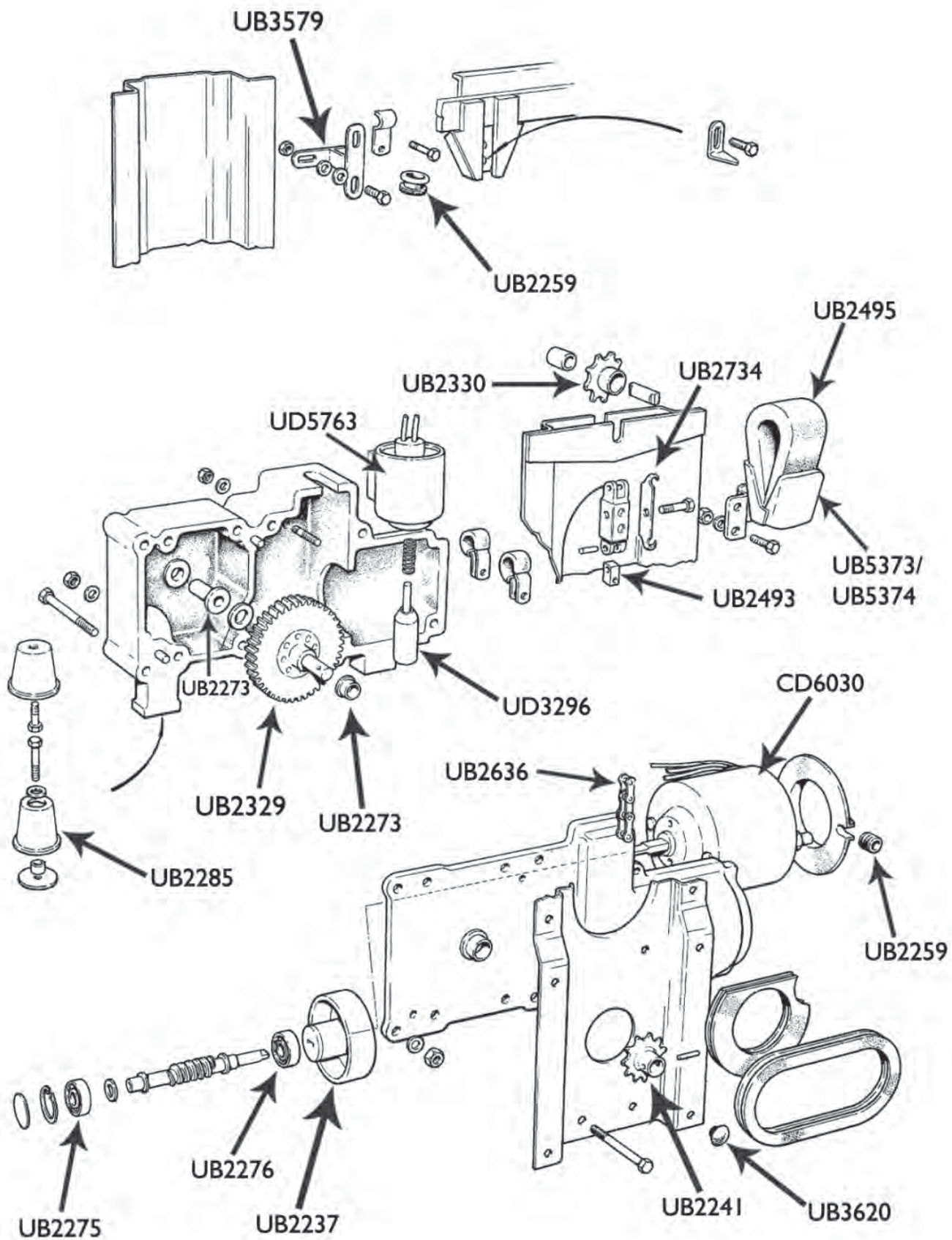
WINDOW LIFT SWITCHES & FUSES

ELECTRIC WINDOW LIFT SWITCH	UD11788P
ELECTRIC WINDOW LIFT SWITCH	UD11788SXR
ELECTRIC WINDOW LIFT SWITCH	UD11788U
DRIVERS WINDOW LIFT SWITCH CHROME SURROUND	UD4506
SINGLE WINDOW LIFT SWITCH CHROME SURROUND	UD4505U
FUSE BOX BASE (For electric window fuses)	UD2471
FUSE BOX LID FOR UD2471	UD2473U
SPRING FOR FUSE BOX LID UD2471	UD2454U
FUSE CARRIER	UD4589
FUSE CARRIER	UD4589U

WINDOW LIFT MOTOR & MECHANISM

ELECTRIC WINDOW LIFT MOTOR	CD6030
ELECTRIC WINDOW LIFT MOTOR	CD6030U
ELECTRIC WINDOW LIFT CHAIN	UB2636
WORM GEAR & SHAFT (Electric window lift)	UB2329
OILITE BUSH (Electric window lift worm gear shaft)	UB2273
OUTER BEARING (Electric window lift worm shaft)	UB2275
RUBBER STOP FOR DROP GLASS (Electric window lift)	UB2495
RUBBER STOP FOR DROP GLASS (Electric window lift)	UB2495U
RH STOP BRACKET FOR DROP GLASS (Electric window lift)	UB5374
LH STOP BRACKET FOR DROP GLASS (Electric window lift)	UB5373
GROMMET (Electric window lift channel & spare wheel cover)	UB3620
BRAKE SOLENOID (Electric window lift)	UD5763U
UPPER SPROCKET (Electric window lift)	UB2330U
LOWER SPROCKET (Electric window lift)	UB2241
CHAIN LINK BLOCK (Electric window lift)	UB2493
CHAIN SPRING (Electric window lift)	UB2734U
RUBBER MOUNT (Electric window lift casing to door)	UB2285P
TOP MOUNT (Electric window lift)	UB3579U
FLEXIBLE COUPLING (Electric window lift motor)	UB2237
PIPER WINDOW LIFT MOTOR	PW50388R
PIPER MOTOR GEAR & SHAFT	RH9060P

ELECTRIC WINDOW LIFT



ALL DIAGRAMS REPRODUCED WITH KIND PERMISSION OF BENTLEY MOTORS LIMITED - COPYRIGHT OF BENTLEY MOTORS LIMITED

STRAIGHT 6 CYLINDER ENGINE (SERIES 1 MODELS) - BEARINGS

MAIN BEARINGS

MAIN BEARING SET (Standard size - excludes thrust washers)	RH2084NTW
MAIN BEARING SET (0.010" U/S inc thrust washers)	RH2089
MAIN BEARING SET (0.020" U/S)	RH2093P
MAIN BEARING SET (0.030" U/S)	RH2097P
THRUST WASHER SET	RE14389/90P
THRUST WASHER LOWER (2 PER ENGINE)	RE14390P
LOCKTAB (0.375")	XB7108P
LOCKTAB (0.3125")	XB7107RP

SMALL & BIG END BEARINGS

BIG END BEARING SET (Standard size)	RE3236SAP
BIG END BEARING SET (0.010" U/S)	RH2100P
BIG END BEARING SET (0.020" U/S)	RE15121SA
BIG END BEARING SET (0.030" U/S)	RH2102P
BIG END BOLT	RE13414P
NUT, BIG END BOLT	RE14185P
SMALL END BUSH	EB5211P

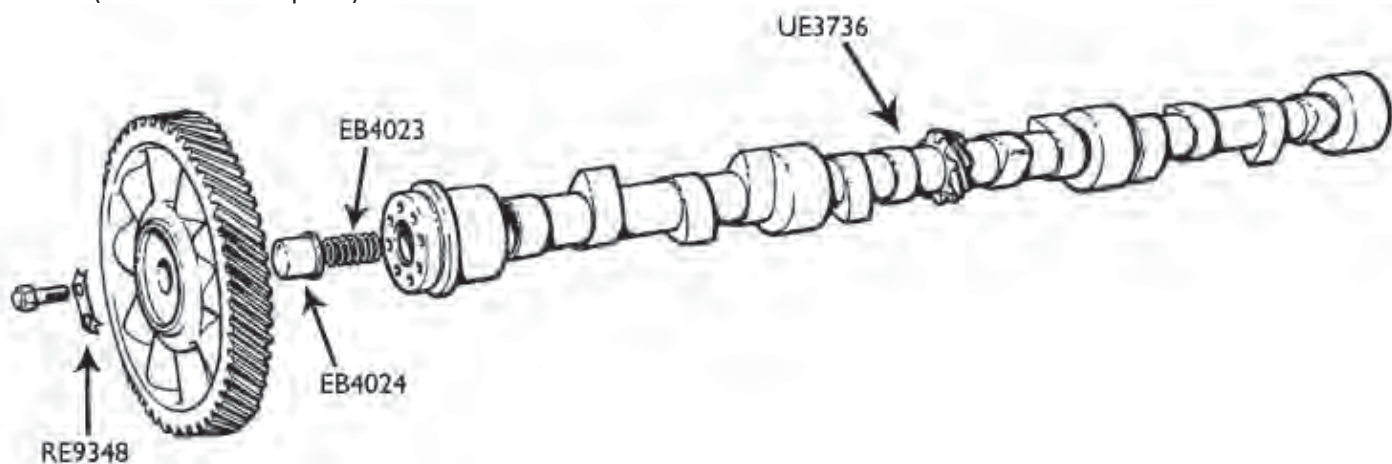
CAMSHAFT BEARINGS

CAMSHAFT BEARING SET (RE210 X 1, RE3892 X 2, EB4146 X 1)	EB4146SAP
--	-----------

STRAIGHT 6 CYLINDER ENGINE (SERIES 1 MODELS) - CAMSHAFT

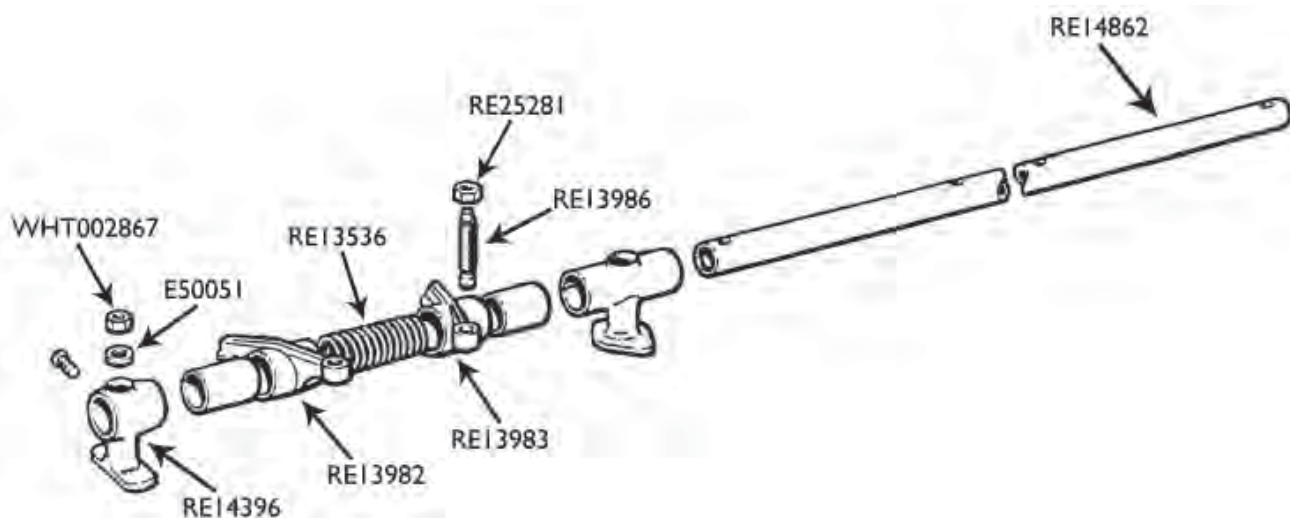
CAMSHAFT

CAMSHAFT	UE3736SXR
CAMSHAFT BEARING SET (RE210 X 1, RE3892 X 2, EB4146 X 1)	EB4146SAP
CAMSHAFT THRUST SPRING	EB4023P
PLUNGER (Camshaft)	EB4024
LOCKTAB (Camshaft gear)	RE9348
1/4" LOCKTAB	XB7106RP
REAR CAMSHAFT COVER GASKET (4.25 & early 4.5 litre engines)	EB4179P
LOCKTAB (Rear cam cover plate)	RE14029



ROCKER SHAFT

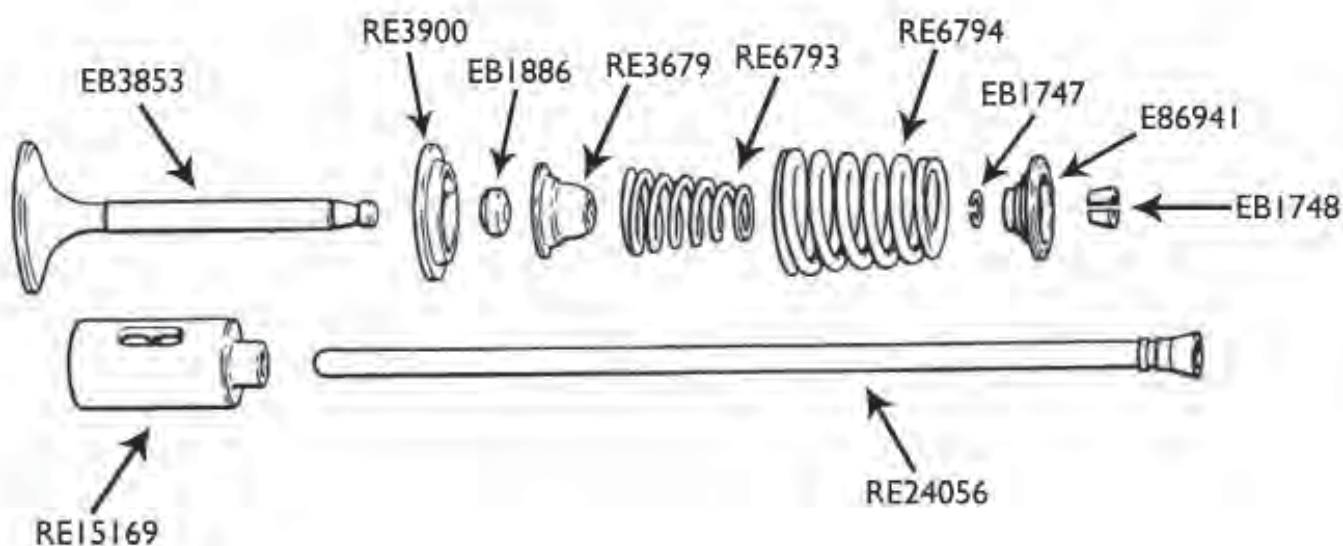
ROCKER SHAFT	RE14862P
NUT 5/16" UNF	WHT002867
SPHERICAL WASHER (Rocker pedestal - 5 per rocker shaft)	E50051P
RH ROCKER ARM	RE13982P
ROCKER ARM SPRING (4 per shaft)	RE13536
LH ROCKER ARM	RE13983P
ADJUSTING SCREW (Inlet tappet)	RE13986
LOCK NUT (Inlet tappet adjusting screw)	RE25281P



STRAIGHT 6 CYLINDER ENGINE (SERIES 1 MODELS) - INLET VALVES

INLET VALVES

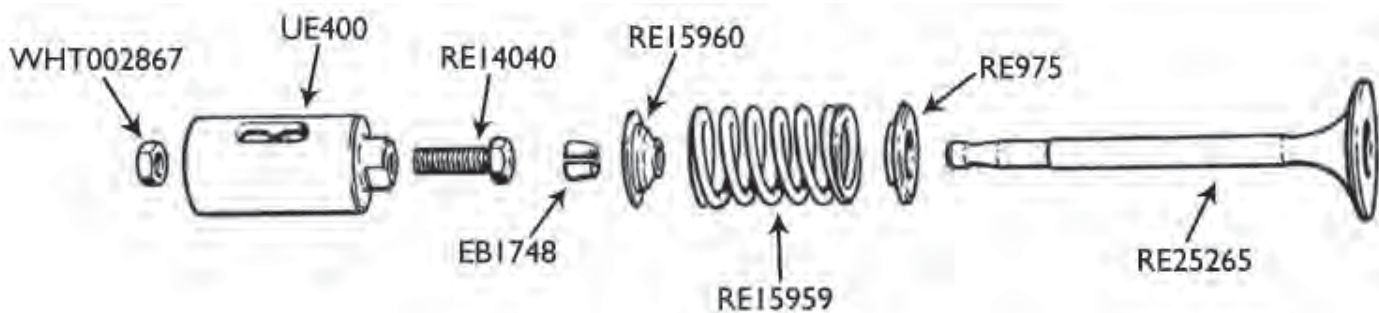
INLET VALVE (6.6:1 Compression ratio)	EB3853P
INLET VALVE (8:1 Compression ratio)	RE22359P
INLET VALVE GUIDE	RE361P
INLET VALVE SEAT (Standard size - 6.6:1 Compression ratio)	UE351
PUSH ROD (Standard models)	RE24056U
PUSH ROD FOR OPERATING INLET VALVE (S1 Continental)	RE14036P
INLET TAPPET (1.190")	RE15169P
VALVE STEM SEAL (6 per engine)	EB1886P
VALVE STEM CIRCLIP (6 per engine)	EB1747
VALVE COLLET	EB1748P
INNER INLET VALVE SPRING	RE6793
SPRING, OUTER, INLET VALVE	RE6794P
WASHER, INLET VALVE SPRING, UPPER	E86941
WASHER, INLET VALVE SPRING OUTER, LOWER	RE3900
LOWER INNER INLET VALVE SPRING WASHER	RE3679P



STRAIGHT 6 CYLINDER ENGINE (SERIES 1 MODELS) - EXHAUST VALVES

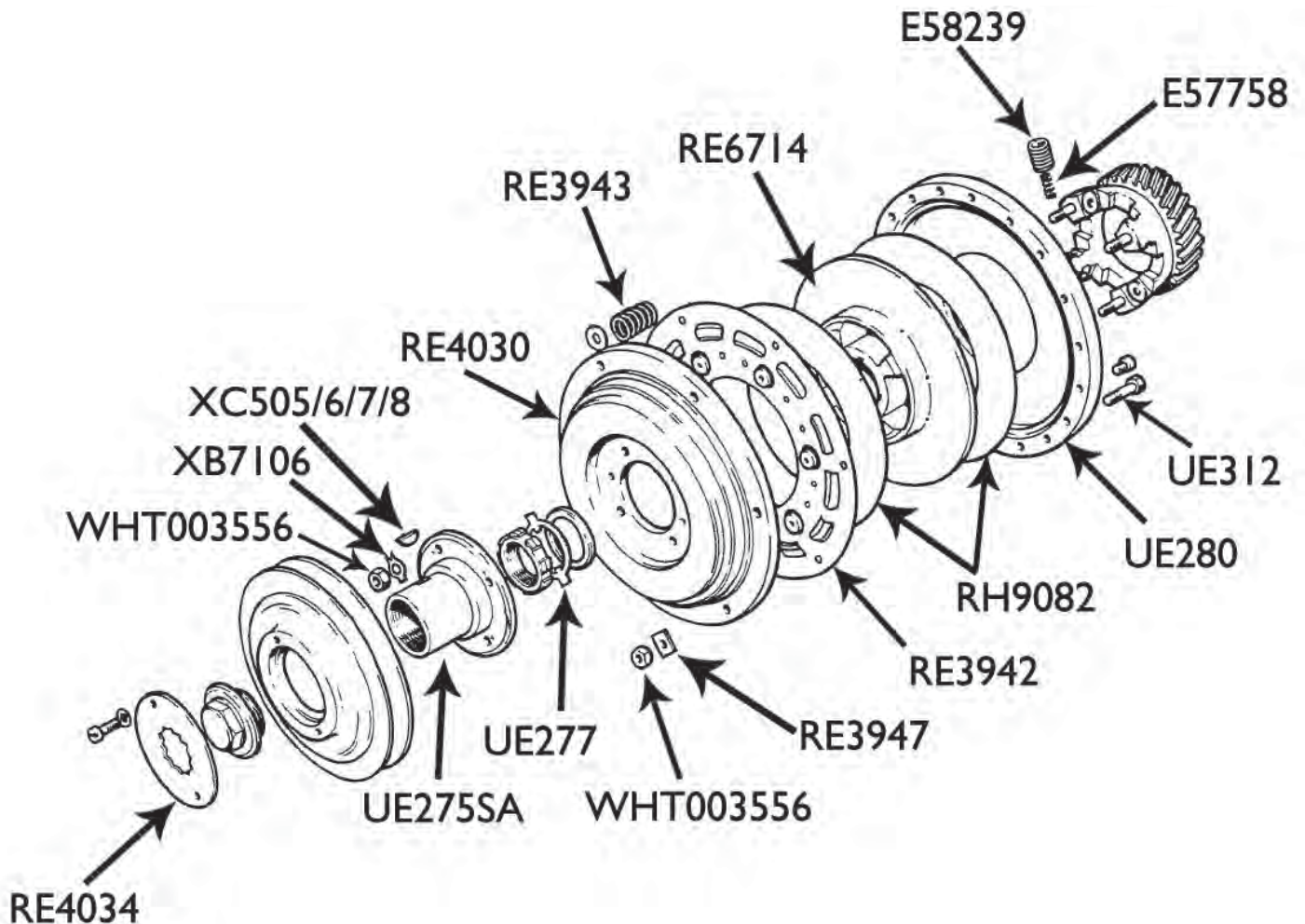
EXHAUST VALVES

EXHAUST VALVE	RE25265P
EXHAUST VALVE GUIDE	RE5890P
EXHAUST VALVE SEAT	RE23855P
UPPER EXHAUST VALVE SPRING WASHER	RE975
SPRING, EXHAUST VALVE	RE15959P
WASHER, EXHAUST VALVE SPRING LOWER	RE15960
VALVE COLLET	EB1748P
EXHAUST TAPPET (1.18775")	UE399
EXHAUST TAPPET (1.1880")	UE400
NUT 5/16" UNF	WHT002867



STRAIGHT 6 CYLINDER ENGINE (SERIES 1 MODELS) - CRANK DAMPER

FRICITION DISC (Fibre type - 2 per damper)	RH9082P
FRICITION DISC (Cotton type - 2 per damper)	EW935P
INNER DRIVING SPRINGS (8 per damper)	E57758P
OUTER DRIVING SPRINGS (8 per damper)	E58239P
BOLT (Crank damper wheel - 6 per wheel)	UE312
SQUARE LOCKTAB WASHERS (6 per damper)	RE3947P
NUT (Crank damper)	WHT003556
SPRING PLATE DIAPHRAGM	RE3942P
REAR DAMPER WHEEL	UE280P
DAMPER SPRING PLATE SPRINGS (6 per damper)	RE3943P
LOCK WASHER (Crank spring drive)	UE277
WOODRUFF KEY (0.125")	XC505
1/4" LOCKTAB	XB7106RP
FRONT HUB & BEARING (Crank damper)	UE275SA
LOCK PLATE (Front crank nut to pulley)	RE4034

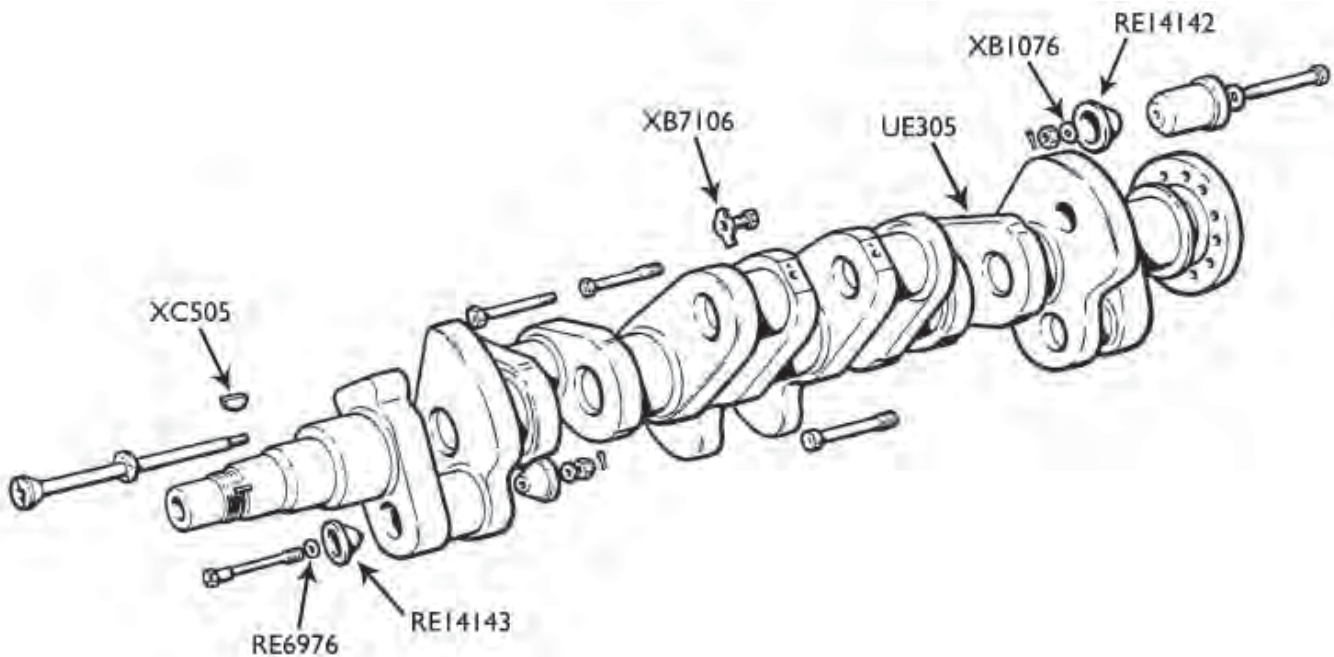


ALL DIAGRAMS REPRODUCED WITH KIND PERMISSION OF BENTLEY MOTORS LIMITED - COPYRIGHT OF BENTLEY MOTORS LIMITED

STRAIGHT 6 CYLINDER ENGINE (SERIES 1 MODELS) - CRANKSHAFT & CYLINDER HEAD

CRANKSHAFT

CRANKSHAFT	UE305U
OIL RETAINING CAP (Crankshaft main bearing cap)	RE14142
ALUMINIUM WASHER	XB1076RP
1/4" LOCKTAB	XB7106RP
WOODRUFF KEY (0.125")	XC505
OIL RETAINING CAP (Big end crank pin - 12 per crankshaft)	RE14143P
CRANKSHAFT OIL CAP WASHER	RE6976P



CYLINDER HEAD

CYLINDER HEAD (6.6:1 CR)	UE2299U
CYLINDER HEAD (8:1 CR)	UE3764U
CYLINDER HEAD GASKET	UE5053P
ROCKER COVER GASKET	UE379P
INLET MANIFOLD GASKET	RH12786P
HOTSPOT GASKET (Cylinder head)	RH13091P
GASKET (Thermostat housing to cylinder head)	RH12899P
OIL FILLER CAP CORK SEAL	RE15879P
OIL FILLER ADAPTER TO ROCKER COVER GASKET	RE11319
CYLINDER HEAD REAR END PLATE GASKET (10 hole)	RE3422P
ROCKER COVER STUD BUSH (3 per engine)	EB3998P
INLET VALVE GUIDE	RE361P
INLET VALVE SEAT (Standard size - 6.6:1 Compression ratio)	UE351
WASHER	WHT002908

STRAIGHT 6 CYLINDER ENGINE (SERIES 1 MODELS) - GASKETS

HEAD GASKET (DECOKE) KIT

DECOKE KIT	RH2130P
All parts listed below are supplied in our decoke kit:	
CYLINDER HEAD GASKET	UE5053P
ROCKER COVER GASKET	UE379P
EXHAUST MANIFOLD GASKET (6 per engine)	RH13108P
ROCKER COVER STUD BUSH (3 per engine)	EB3998P
VALVE STEM SEAL (6 per engine)	EB1886P
INLET MANIFOLD GASKET	RH12786P
GASKET (Exhaust manifold to downpipe)	UE1175P
AIR INTAKE TO CHOKE BODY GASKET	RH13025
SIDE COVER GASKET (2 per engine)	RE15083P
GASKET (Thermostat housing to cylinder head)	RH12899P
AIR INTAKE TO CARBURETTER GASKET (2 per car)	RH13022P
AIR INTAKE TO BUTTERFLY HOUSING GASKETS	RH12784P
HOTSPOT PIPE GASKET (Inlet manifold)	RH12897
CARBURETTER TO INLET MANIFOLD GASKET (2 per engine - cars with 1.75" carbs)	RE10611P
CARBURETTER TO INLET MANIFOLD GASKET (2 per engine - cars with 2" carbs)	RH13024P
DISTRIBUTOR HOUSING TO CRANKCASE GASKET	EB4042
WASHER (Petrol drain pipe - inlet manifold)	RE3523
FUEL FILTER SEALING RING	UR794
VALVE STEM CIRCLIP (6 per engine)	EB1747
WASHER	WHT002908
WASHER	RF3274
WASHER (Spark plug)	CD151
TOP HOSE	UE1050P
BYPASS HOSE	RE12659P

GASKETS FOR CYLINDER HEAD (NOT INCLUDED IN DECOKE KIT)

MODIFIED RUBBER VALVE STEM SEAL	EB1886MODP
HOTSPOT GASKET (Cylinder head)	RH13091P
OIL FILLER CAP CORK SEAL	RE15879P
OIL FILLER ADAPTER TO ROCKER COVER GASKET	RE11319
CYLINDER HEAD REAR END PLATE GASKET (10 hole)	RE3422P

STRAIGHT 6 CYLINDER ENGINE (SERIES 1 MODELS) - GASKETS

FRONT OF ENGINE GASKETS

WATER PUMP GASKET	EB4204P
GASKET (Water pump back plate to adapter)	RH12904P
GASKET (Water pump adapter to crankcase)	RH12792P
THERMOSTAT COVER GASKET	RH12900P
GASKET (Thermostat housing to cylinder head)	RH12899P
TIMING COVER GASKET	UE416

SIDE OF ENGINE GASKETS

WATER JACKET COVER PLATE GASKET (3 per engine)	RH12898P
--	----------

REAR OF ENGINE GASKETS

REAR CAMSHAFT COVER GASKET	EB4179P
GASKET, BELL HOUSING TO ENGINE	UG134P
REAR COOLANT RAIL COVER GASKET (6 hole)	RH12902P

BOTTOM END (SUMP) GASKETS

SUMP GASKET	UE454P
DIPSTICK TUBE GASKET	RH12814
GASKET (Oil & fuel level sender)	UE73618P
SUMP PLUG WASHER	XB1093RP
WOODEN DOWEL OIL SEAL REAR CRANK BEARING (2 per engine)	RE7144
WASHER (0.750")	WHT002907

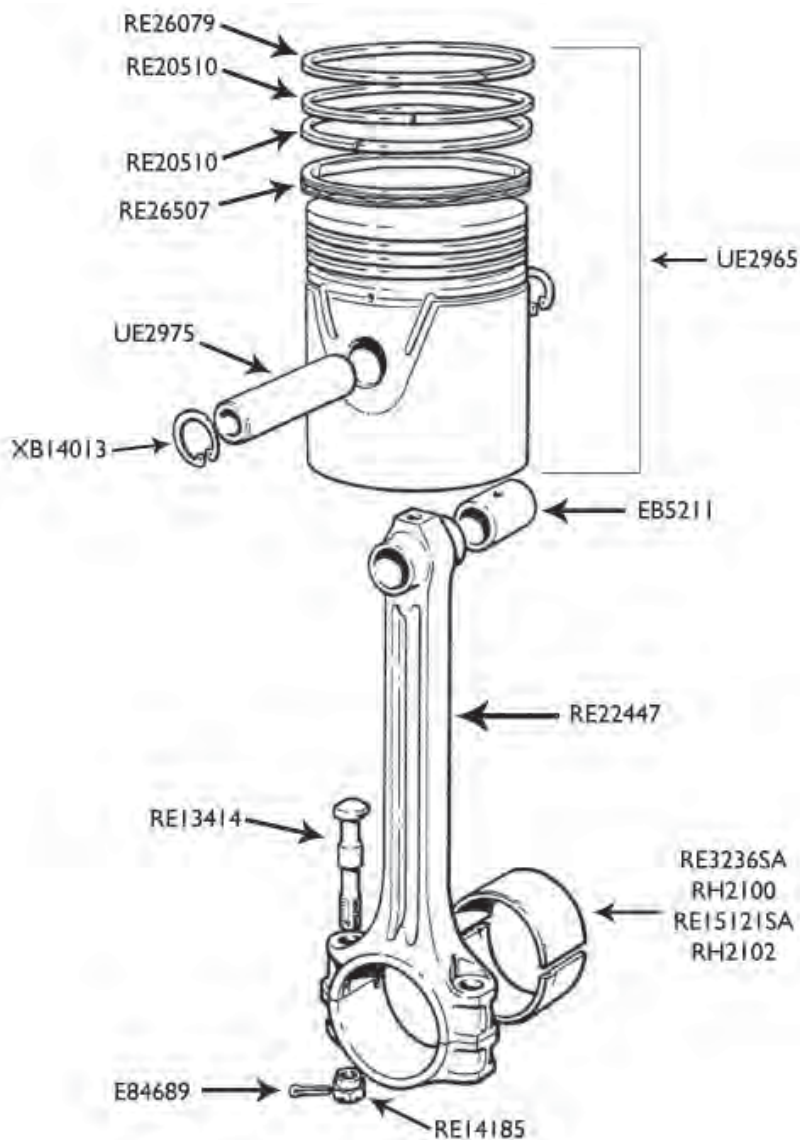
MOUNTS - ENGINE & GEARBOX

ENGINE MOUNT (2 per engine)	UE4487P
REAR UPPER GEARBOX MOUNT	UR2723
REAR LOWER GEARBOX MOUNT	UR2724

STRAIGHT 6 CYLINDER ENGINE (SERIES 1 MODELS) - PISTONS

STANDARD SIZE GENUINE PISTONS

GENUINE PISTON & RINGS (K Grade - Standard size)	UE2965K
TOP PISTON RING (Standard size)	RE26079
CENTRE PISTON RING (Standard size - 2 per piston)	RE20510
SCRAPER RING (Standard size)	RE26507
GUDGEON PIN	UE2975
CIRCLIP (2 per gudgeon pin)	XB14013
SMALL END BUSH	EB5211P
CYLINDER LINER (Standard size)	RE22997P
BIG END BOLT	RE13414P
NUT, BIG END BOLT	RE14185P
SPLIT PIN (Big end bolt nut)	E84689



STRAIGHT 6 CYLINDER ENGINE (SERIES 1 MODELS) - PISTONS

AFTERMARKET PISTONS

PISTON AND RINGS (Standard size - set of 6)	UE2965P
PISTON AND RINGS (0.015" O/S - set of 6)	UE2968P
PISTON AND RINGS (0.025" O/S - set of 6)	UE2970P
PISTON AND RINGS (0.045" O/S - set of 6)	UE2974P
CYLINDER LINER (Standard size)	RE22997P
SMALL END BUSH	EB5211P
BIG END BOLT	RE13414P
NUT, BIG END BOLT	RE14185P
SPLIT PIN (Big end bolt nut)	E84689

SUMP

ENGINE SUMP	UE6196
SUMP PLUG WASHER	XB1093RP
SUMP GASKET	UE454P
DIPSTICK TUBE GASKET	RH12814
GASKET (Oil & fuel level sender)	UE73618P

COMPLETE ENGINES

SECOND HAND ENGINE (Early Series 1 models)	RSS1LCSXU
SECOND HAND ENGINE (Late Series 1 models)	RSS1HCSXU

STRAIGHT 6 CYLINDER ENGINE (SERIES 1 MODELS) - OIL FILTER

OIL FILTER

OIL FILTER KIT

RH1003P

SUMP PLUG WASHER

XB1093RP

O RING (Oil filter & pick up)

UA11326R

GASKET OIL FILTER

UE438

CORK GASKET (Oil filter)

CD255

SPRING CUP (Oil filter)

CD256

SPRING (Oil filter)

CD308

GASKET (Oil filter canister to head)

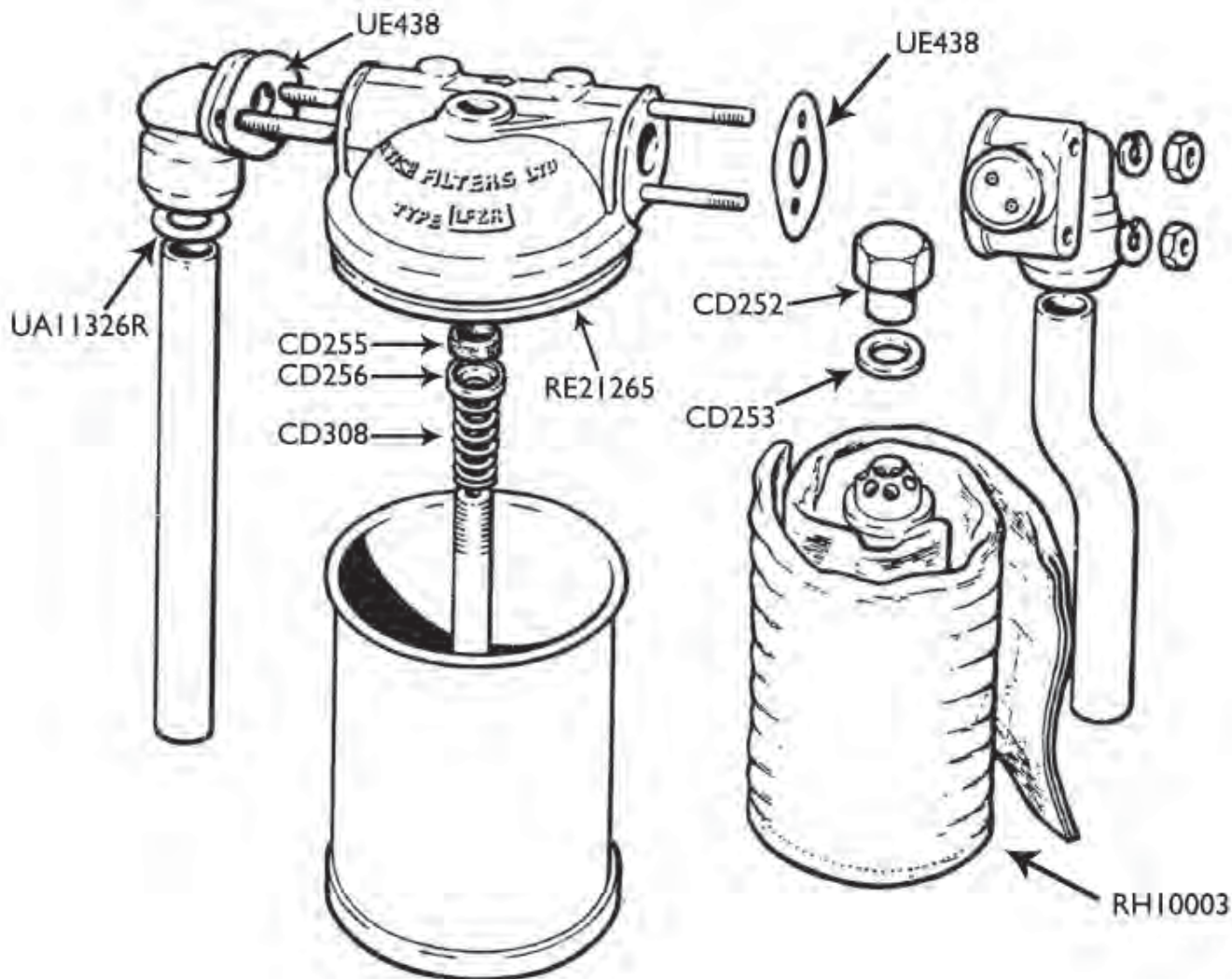
RE21265

CLOSING NUT (Oil filter canister head)

CD252

WASHER (Oil filter canister head closing nut)

CD253



ALL DIAGRAMS REPRODUCED WITH KIND PERMISSION OF BENTLEY MOTORS LIMITED - COPYRIGHT OF BENTLEY MOTORS LIMITED

STRAIGHT 6 CYLINDER ENGINE (SERIES 1 MODELS) - OIL PUMP

OIL PUMP

OIL PUMP

UE289U

1/4" LOCKTAB

XB7106RP

LOCKTAB (0.3125")

XB7107RP

DRIVING SHAFT (Oil pump)

UE285

DRIVING SHAFT BUSH (Oil pump)

EB3905

STUD (Oil pump casing to base plate - 6 per pump)

UA853Z

DRIVEN GEAR (Oil pump)

RE20968P

WOODRUFF KEY (Oil pump)

XC501

DRIVING GEAR (Oil pump)

EB3898P

DRIVEN GEAR BUSH (Oil pump)

RE20967

WASHER (Oil pump casing to oil pipe union)

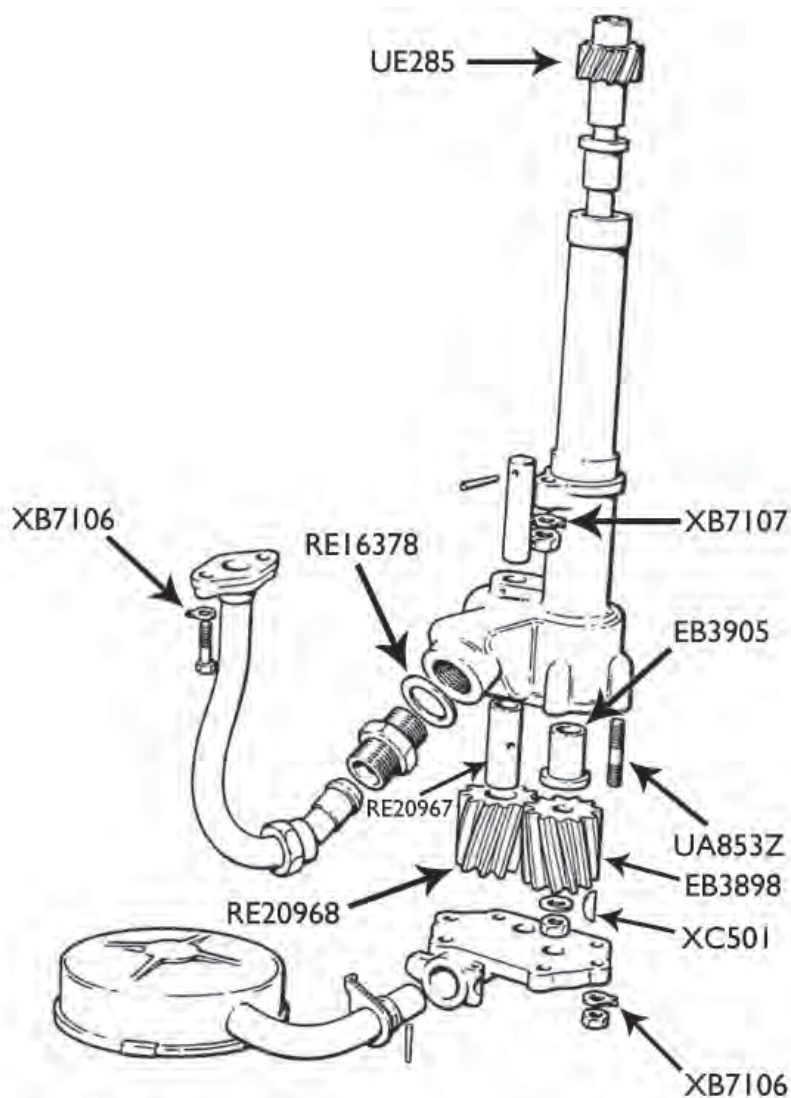
RE16378

SPRING (Relief valve - high pressure)

EB5029

SPRING (Relief valve - low pressure)

EW1542



STRAIGHT 6 CYLINDER ENGINE (SERIES 1 MODELS) - RELIEF VALVE

RELIEF VALVE

SUMP PLUG WASHER

XB1093RP

WASHER

RE16376

PRESSURE RELIEF VALVE PLUNGER

E87823P

WASHER

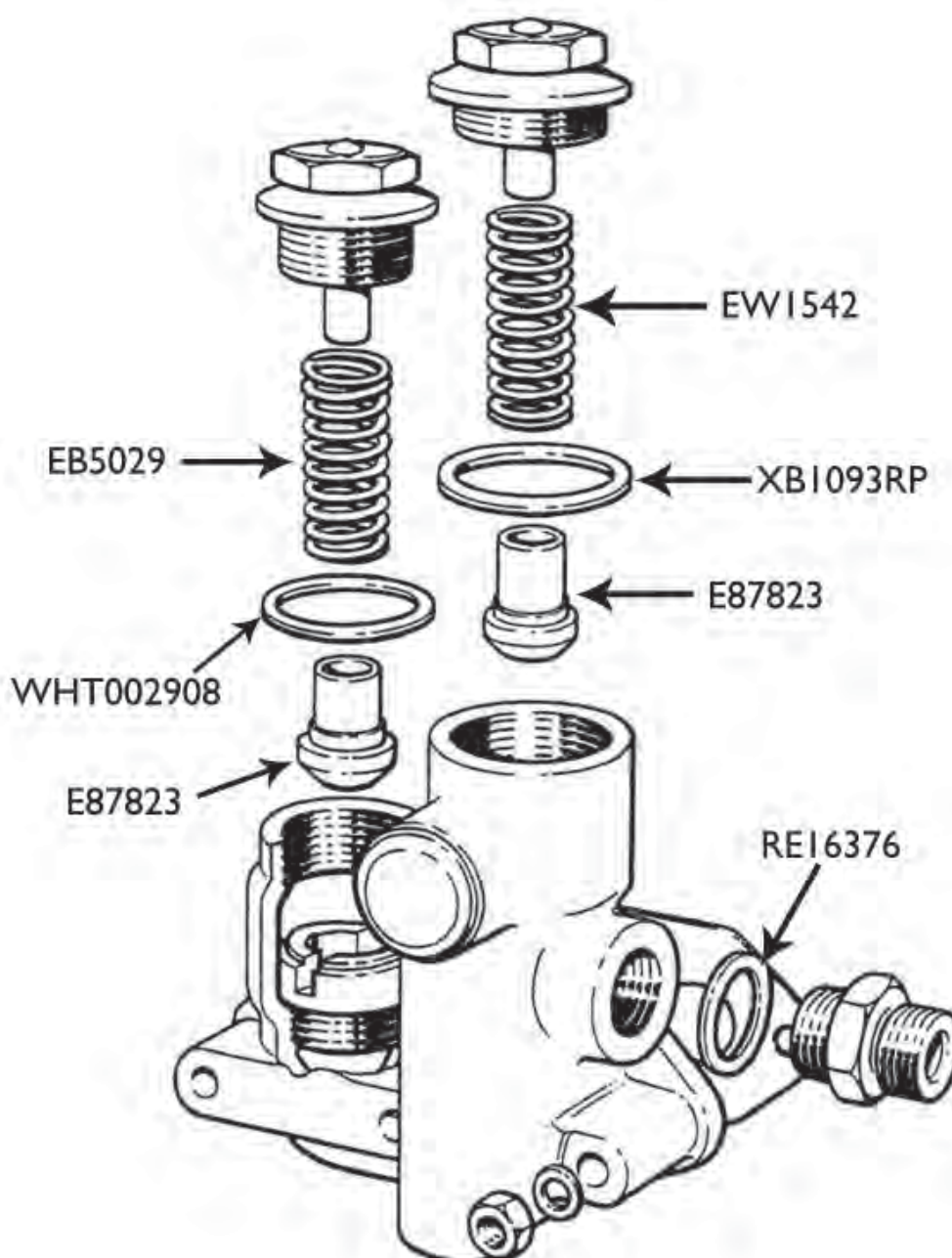
WHT002908

SPRING (Relief valve - high pressure)

EB5029

SPRING (Relief valve - low pressure)

EW1542



OIL PRESSURE SENDER

SENDER (Oil pressure gauge)

UD11663

ALL DIAGRAMS REPRODUCED WITH KIND PERMISSION OF BENTLEY MOTORS LIMITED - COPYRIGHT OF BENTLEY MOTORS LIMITED

V8 CYLINDER ENGINE (SERIES 2 & 3 MODELS) - BEARINGS

MAIN BEARINGS SETS (Excluding thrust washers)

GENUINE MAIN BEARING SET (Standard size)	RH2085NTW
THRUST WASHER SET	UE826SETP
MAIN BEARING SET (Standard Size)	RH2085P
GENUINE MAIN BEARING SET (0.010" U/S)	RH2103NTW
MAIN BEARING SET (0.010" U/S)	RH2103P
MAIN BEARING SET (0.020" U/S)	RH2104P
MAIN BEARING SET (0.030" U/S)	RH2105P
THRUST WASHER (Upper)	UE827P
THRUST WASHER (Lower)	UE826P

BIG END BEARINGS

BIG END BEARING SET (Standard Size)	PB109281PA
BIG END BEARING SET (Standard Size)	RH2504P
BIG END BEARING SET (0.010" U/S)	RH2505
BIG END BEARING SET (0.010" U/S)	RH2505P
BIG END BEARING SET (0.020" U/S)	RH2506
BIG END BEARING SET (0.020" U/S)	RH2506P
BIG END BEARING SET (0.030" U/S)	RH2146
CON ROD BOLT	UE6056
CON ROD NUT	UE5310

SMALL END BEARINGS

SMALL END BUSH (For piston UE8270)	UE71029P
SMALL END BUSH (For piston UE32936)	UE41845

CAMSHAFT BEARINGS

FRONT CAMSHAFT BEARING (1 per engine)	UE5985
CENTRE & REAR CAMSHAFT BEARING (3 per engine)	UE5986

ENGINE MOUNTS

FRONT ENGINE MOUNT (1 per car)	UR4639P
SIDE ENGINE MOUNT (2 per car)	UE3476P

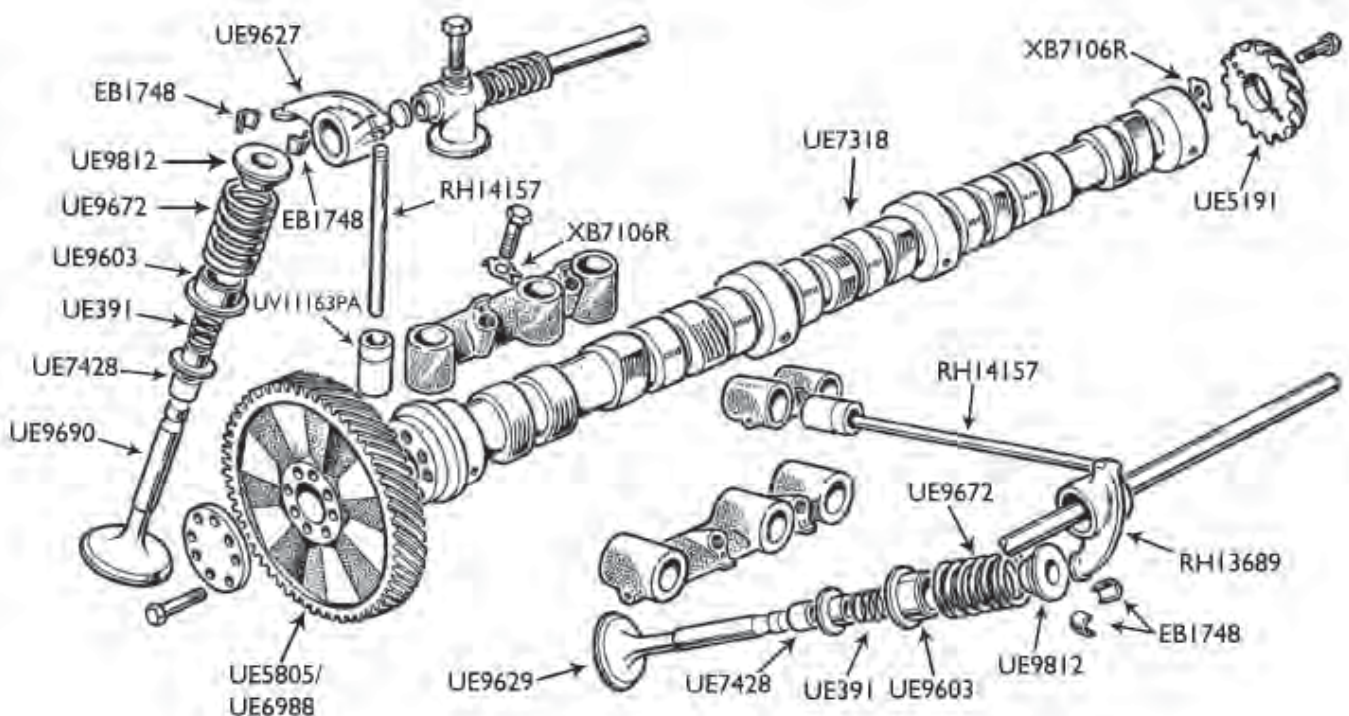
FAN BELTS

TWIN DRIVE BELTS (Coolant)	RH9265
TWIN DRIVE BELTS (Crank & dynamo)	RH9263

V8 CYLINDER ENGINE (SERIES 2 & 3 MODELS) - CAMSHAFT

CAMSHAFT & TAPPETS

CAMSHAFT	UE7318R
HYDRAULIC TAPPET	UV11163PA
AFTERMARKET HYDRAULIC TAPPET	UV11163PAP
HYDRAULIC TAPPET	UV11163PAU
PUSH ROD	RH14157P
PUSH ROD (0.050" shorter than original)	RH14157-0.050P
PUSH ROD	RH14157U
FRONT CAMSHAFT BEARING (1 per engine)	UE5985
CENTRE & REAR CAMSHAFT BEARING (3 per engine)	UE5986
CAMSHAFT GEAR (Series 2 models)	UE5805
MATCHED TIMING GEARS (Series 3 models)	UE698836699
CAMSHAFT DISTRIBUTOR DRIVE GEAR	UE5191
REAR CAM COVER GASKET	RH12812P
CAMSHAFT THRUST PLATE	UE36342
LOCKING PLATE (Front cam gear - 2 required)	UE9068P
LOCKTAB (Front cam gear)	07V103899P
LOCKTAB (Front cam gear)	07V103899BP
1/4" LOCKTAB	XB7106RP
LOCKTAB (Tapping block to thrust plate)	07V103551P

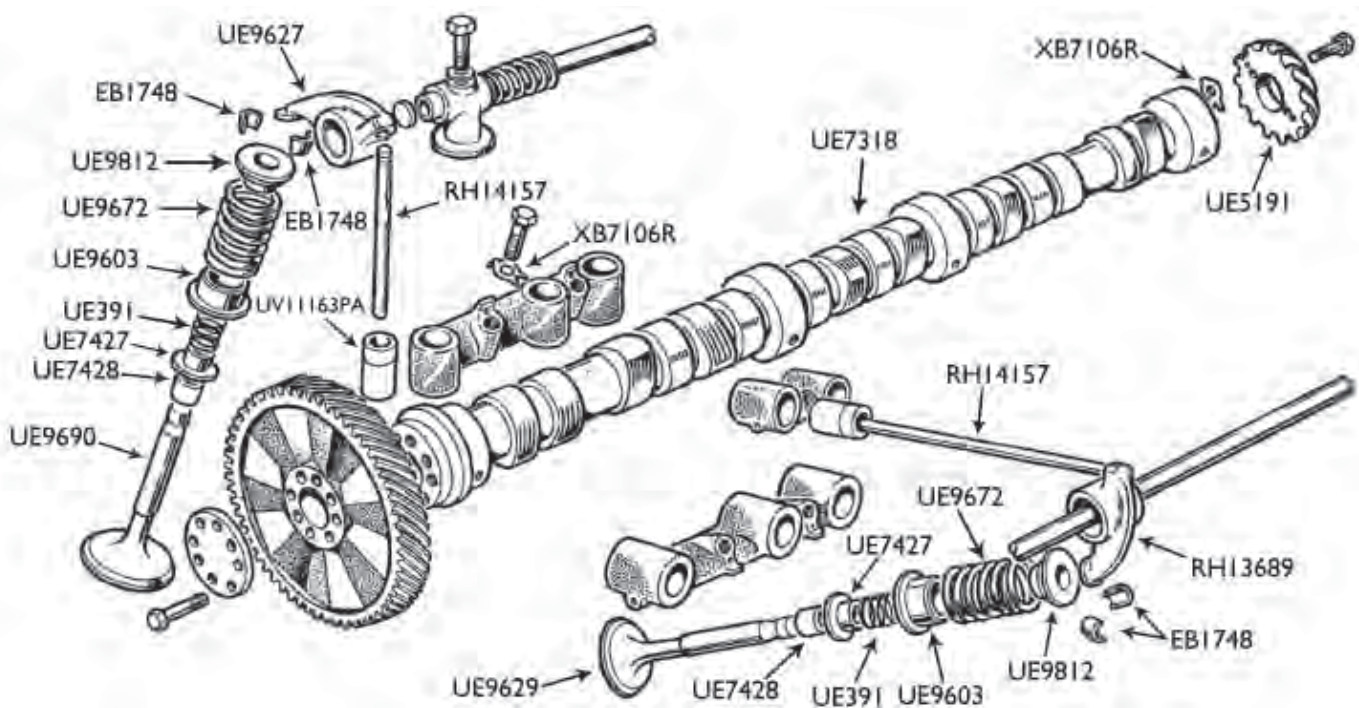


ALL DIAGRAMS REPRODUCED WITH KIND PERMISSION OF BENTLEY MOTORS LIMITED - COPYRIGHT OF BENTLEY MOTORS LIMITED

V8 CYLINDER ENGINE (SERIES 2 & 3 MODELS) - VALVES

VALVES & ROCKERS

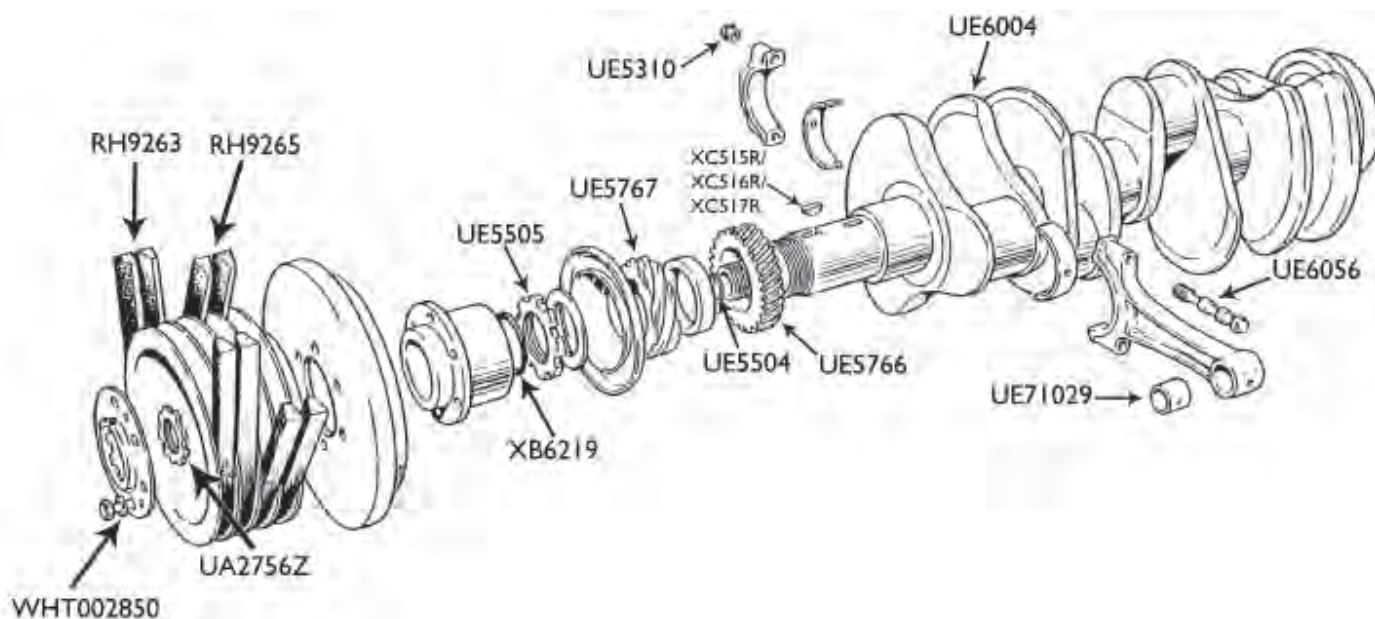
INLET VALVE	UE9629P
EXHAUST VALVE	UE9690P
INLET VALVE GUIDE	UE9636P
EXHAUST VALVE GUIDE	UE7431P
COTTON VALVE STEM SEAL (16 per engine)	UE7428P
MODIFIED VALVE STEM SEAL	UE7428NFP
VALVE COLLET	EB1748P
TOP WASHER (Inlet & Exhaust Valve)	UE9812
VALVE SPRING	UE9672
LOWER WASHER (Inlet & exhaust valve spring)	UE9603
SPRING (Valve stem seal)	UE391
INLET ROCKER	RH13689
EXHAUST ROCKER	UE9627
INLET VALVE SEAT	UE9634
INLET VALVE SEAT (0.015" O/S)	UE9415
EXHAUST VALVE SEAT	UE34246
PUSH ROD	RH14157P
PUSH ROD (0.050" shorter than original)	RH14157-0.050P
PUSH ROD	RH14157U
LOAN OF VALVE REMOVAL TOOL	RH7094LOAN



V8 CYLINDER ENGINE (SERIES 2 MODELS) - CRANKSHAFT

CRANKSHAFT - SERIES 2

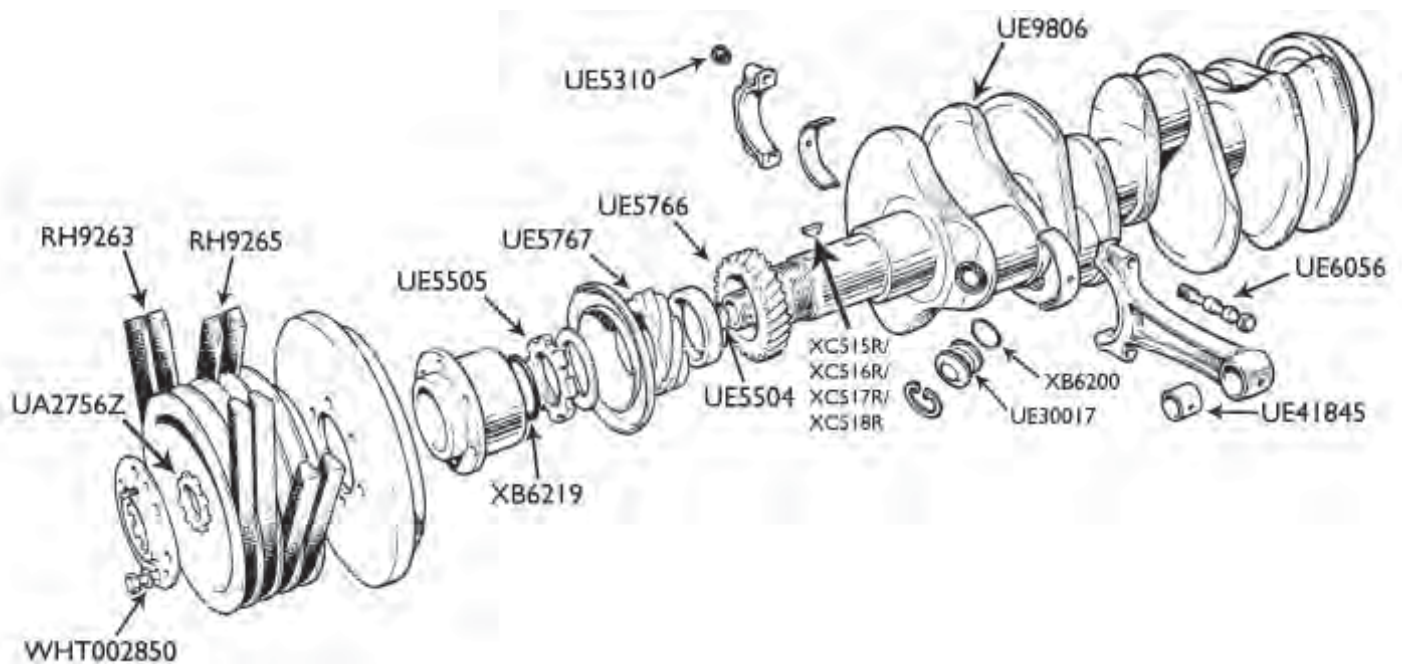
CRANKSHAFT (Series II models)	UE6004U
WASHER	WHT002850
SLOTTED NUT (For retaining crank driving flange)	UA2756Z
O RING (Driving flange to crank)	XB6219P
SLOTTED NUT (For retaining oil flinger)	UE5505
STEEL OIL PUMP DRIVING GEAR	UE5767
EXPANDING DISC (Front of crankshaft)	UE5504
WOODRUFF KEY (0.188")	XC516R
CON ROD NUT	UE5310
CON ROD BOLT	UE6056
LOAN OF FRONT CRANK PULLEY EXTRACTION TOOL	RH7097LOAN
TWIN DRIVE BELTS (Crank & dynamo)	RH9263
TWIN DRIVE BELTS (Coolant)	RH9265
GASKET (Crankshaft to flywheel)	UE5728



V8 CYLINDER ENGINE (SERIES 3 MODELS) - CRANKSHAFT

CRANKSHAFT - SERIES 3

CRANKSHAFT (Series III models)	UE9806U
WASHER	WHT002850
SLOTTED NUT (For retaining crank driving flange)	UA2756Z
O RING (Driving flange to crank)	XB6219P
SLOTTED NUT (For retaining oil flinger)	UE5505
STEEL OIL PUMP DRIVING GEAR	UE5767
EXPANDING DISC (Front of crankshaft)	UE5504
TIMING GEARS	RH3018SX
MATCHED TIMING GEARS (Series 3 models)	UE698836699
WOODRUFF KEY (0.188")	XC516R
O RING (Crank sludge trap)	XB6200
CON ROD BOLT	UE6056
CON ROD NUT	UE5310
LOAN OF FRONT CRANK PULLEY EXTRACTION TOOL	RH7097LOAN
TWIN DRIVE BELTS (Crank & dynamo)	RH9263
TWIN DRIVE BELTS (Coolant)	RH9265
GASKET (Crankshaft to flywheel)	UE5728



ALL DIAGRAMS REPRODUCED WITH KIND PERMISSION OF BENTLEY MOTORS LIMITED - COPYRIGHT OF BENTLEY MOTORS LIMITED

V8 CYLINDER ENGINE (SERIES 2 & 3 MODELS) - GASKETS

HEAD GASKET KIT

DECOKE KIT	RH2264P
All parts listed below are supplied in our decoke kit:	
CYLINDER HEAD GASKET (2 per engine)	UT12890PD
EXHAUST MANIFOLD GASKET (8 per engine)	RH13107P
INLET MANIFOLD GASKET (4 per engine)	RH12748P
TAPPET COVER GASKET	UE5256P
ROCKER COVER GASKET (2 per engine - original cork gasket)	UE4324P
GASKET (Carburettor to inlet manifold)	UE6175P
COTTON VALVE STEM SEAL (16 per engine)	UE7428P
RUBBER BUSH (6 per engine - for rocker cover stud)	UE42838P
TRIANGLE GASKET (2 per engine - original paper gasket)	UE4393P
BYPASS GASKET	RH12757P
THERMOSTAT GASKET	RH12758P
EXHAUST DOWNPIPE GASKET (2 per engine)	UE1683P
ALUMINIUM WASHER (2 per car - carb float lid)	RE7289P
FIBRE WASHER (2 per car - carb float lid)	RE7297P
BYPASS HOSE	UA10407P
ALUMINIUM WASHER	XB1076RP
BREATHER O RING	UE9453
SUMP PLUG WASHER	XB1093RP
SEALING RING	CK610P

CYLINDER HEAD GASKETS (not included in decoke kit)

OIL FILLER CAP CORK SEAL	RE15879P
ROCKER COVER FERRULE	UE6570
HEATER GASKET	RH12793
RUBBER BUNG (A Bank Cylinder head steady bracket)	UE7892
WASHER	XB1094R
WASHER	XB1081R
SEALING RING (Demister water connection in LH cylinder head - Coachbuilt cars)	UA11322

V8 CYLINDER ENGINE (SERIES 2 & 3 MODELS) - GASKETS

FRONT OF ENGINE GASKETS

TIMING COVER GASKET	RH12742P
TIMING COVER SPONGE SEAL	07V121230P
WATER PUMP GASKET	RH12795P
O RING (Water pump housing to crankcase - 2 per engine)	XB6211
O RING (Driving flange to crank)	XB6219P
RUBBER PLUG (Rear of front lower timing cover)	UE5735
GASKET (Oil pump to crankcase)	07V103583
LOCKTAB (Tapping block to thrust plate)	07V103551P
LOCKTAB (Front cam gear)	07V103899P
LOCKTAB (Front cam gear)	07V103899BP
LOCKING PLATE (Front cam gear - 2 required)	UE9068P
WASHER (Heater plug - front of crankcase)	RE16381

REAR OF ENGINE GASKETS

HORSESHOE GASKET (Rear crank cover)	UE5214
REAR CAM COVER GASKET	RH12812P
PIPE BLANKING PLATE GASKET	RH12774P
DISTRIBUTOR PEDESTAL GASKET	UE7335P
O RING (Timing cover - 2 per engine)	UE7310P
GASKET, BELL HOUSING TO ENGINE	UG134P
1/4" LOCKTAB	XB7106RP
HEATER GASKET	RH12793

SIDE OF ENGINE GASKET

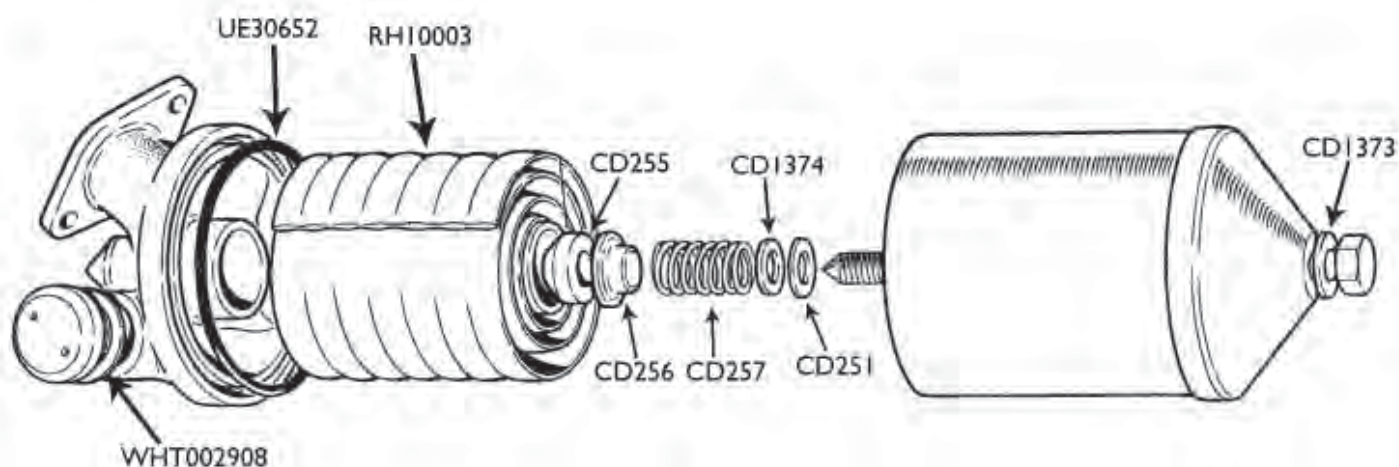
GASKET (Oil filter pedestal to crankcase & filter)	UE5710P
SEALING WASHER	XB1078RP
WASHER	XB1095RP
WASHER (Core plug)	XB1193R

BOTTOM END (SUMP) GASKETS

SUMP GASKET	UE73704P
DIPSTICK TUBE GASKET	RH12759P
GASKET (Oil & fuel level sender)	UE73618P
SUMP PLUG WASHER	XB1093RP
RUBBER PLUG (Rear of front lower timing cover)	UE5735
GASKET (Oil pump to crankcase)	07V103583
GASKET (Oil pick-up pedestal to crankcase)	UE73619
O RING (Oil filter & pick up)	UA11326R
1/4" LOCKTAB	XB7106RP

V8 CYLINDER ENGINE (SERIES 2 & 3 MODELS) - OIL FILTER

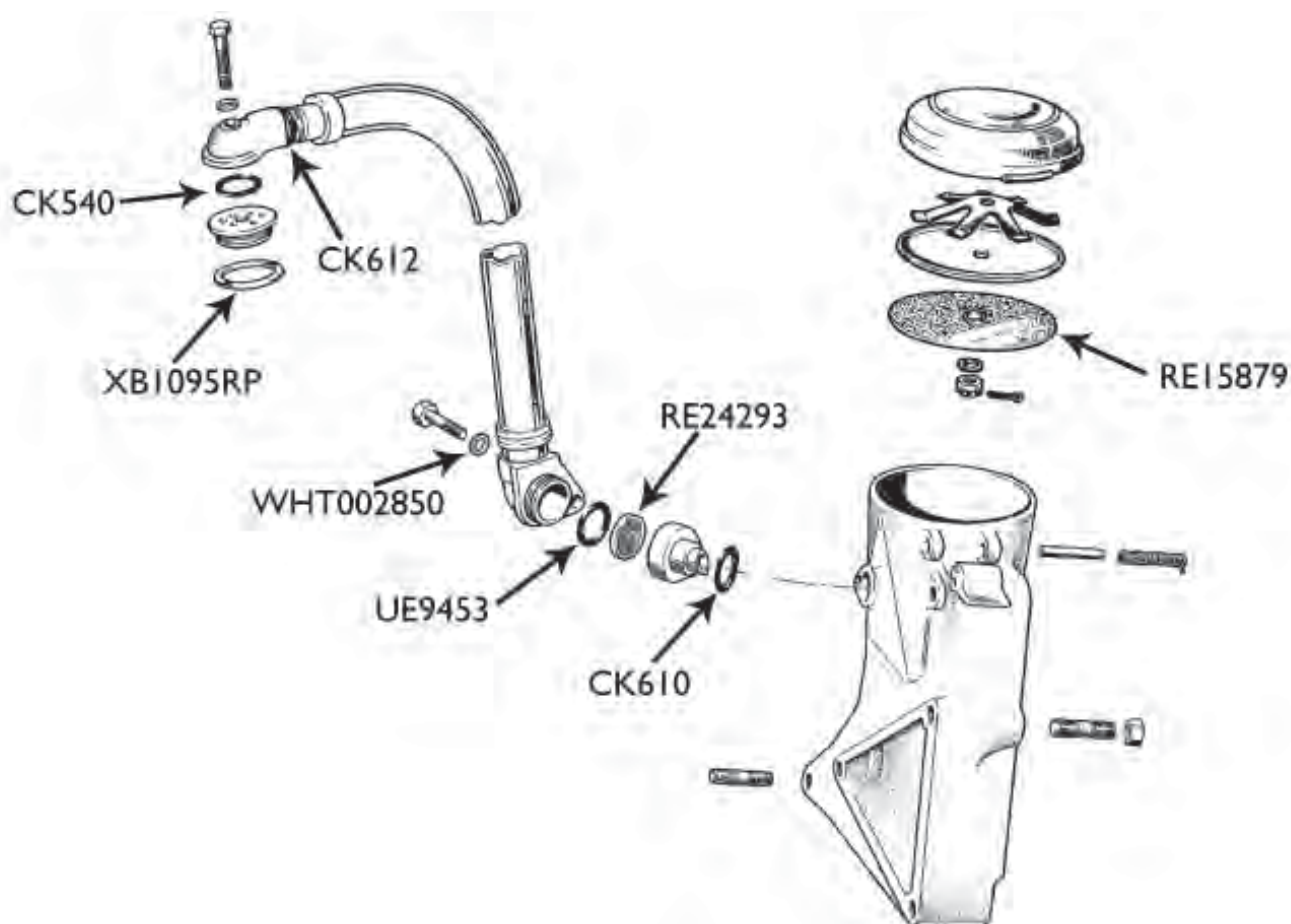
OIL FILTER	
OIL FILTER KIT	RH10003P
SUMP PLUG WASHER	XB1093RP
WASHER	WHT002908
SEALING RING (Oil filter canister to head)	UE30652
CORK GASKET (Oil filter)	CD255
SPRING CUP (Oil filter)	CD256
SPRING (Oil filter)	CD257
WASHER (Oil filter spring)	CD1374
SEAL (Oil filter spring to canister)	CD251
DOWTY SEAL (Oil filter canister retaining bolt)	CD1373
SPIN-ON OIL FILTER MOD KIT	FS27
GASKET (Oil pump to crankcase)	07V103583
GASKET (Oil pick-up pedestal to crankcase)	UE73619
O RING (Oil filter & pick up)	UA11326R
1/4" LOCKTAB	XB7106RP



V8 CYLINDER ENGINE (SERIES 2 MODELS) - BREATHER

OIL FILLER & BREATHER (Late Series 2 & All Series 3 Models)

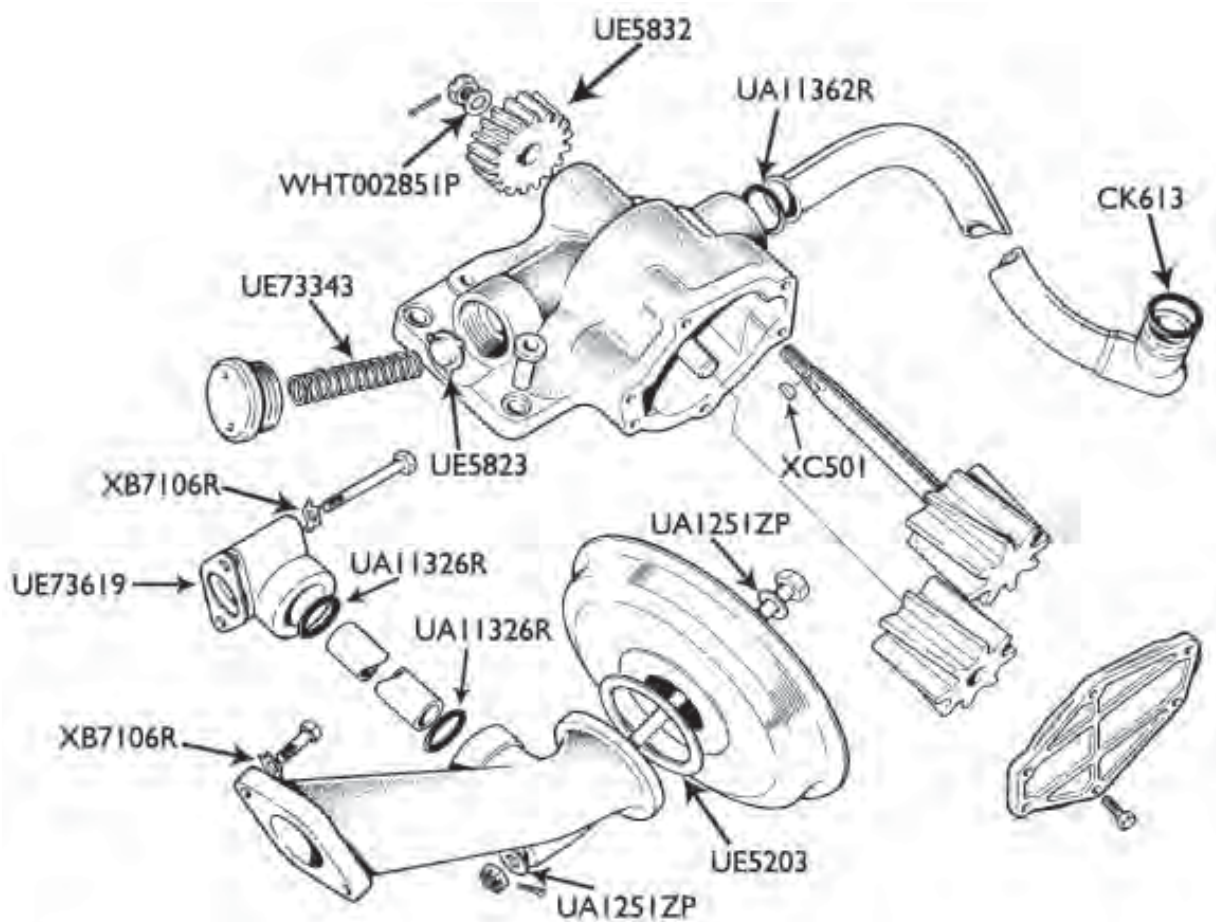
OIL FILLER CAP CORK SEAL	RE15879P
SEALING RING	CK612
SEALING RING	CK610P
BREATHER O RING	UE9453
BREATHER O RING	CK540
WASHER	XB1095RP
TRIANGLE GASKET (2 per engine - original paper gasket)	UE4393P
FLAMETRAP GAUZE (Breather)	RE24293



V8 CYLINDER ENGINE (SERIES 2 & 3 MODELS) - OIL PUMP

OIL PUMP

OIL PUMP (With Bronze Drive Gear)	UE39346SXR
OIL PUMP DRIVE GEAR	UE5832P
OIL PUMP PRESSURE RELIEF VALVE	07V115409
SPRING PRESSURE RELIEF VALVE	UE73343
GASKET (Oil pump to crankcase)	07V103583
GASKET (Oil pick-up pedestal to crankcase)	UE73619
O RING	CK613
O RING (Oil filter & pick up)	UA11326R
1/4" LOCKTAB	XB7106RP
WOODRUFF KEY (Oil pump)	XC501
WASHER	WHT002851P
WASHER	WHT002849P
WASHER	WHT002850



OIL PRESSURE SENDER

OIL PRESSURE SENDER	RD7894U
SENDER (Oil pressure gauge)	UD11663

V8 CYLINDER ENGINE (SERIES 2 & 3 MODELS) - PISTONS & LINERS

PISTONS, LINERS & SEALS - SERIES 2 MODELS

PISTON & RINGS	UE8270L
AFTERMARKET PISTON RING SET	PISTON4RINGSET
TOP PISTON RING	UE5691
CENTRE PISTON RING	UE5692
OIL CONTROL RING	UE33334
CYLINDER LINER	UE71222P
CYLINDER LINER SEAL SET	UE8581/2
SMALL END BUSH	UE71029P
CON ROD BOLT	UE6056
CON ROD NUT	UE5310
LOAN OF CYLINDER LINER PULLER	RH7095LOAN
GUDGEON PIN	UE5703

PISTONS, LINERS & SEALS - SERIES 3 MODELS

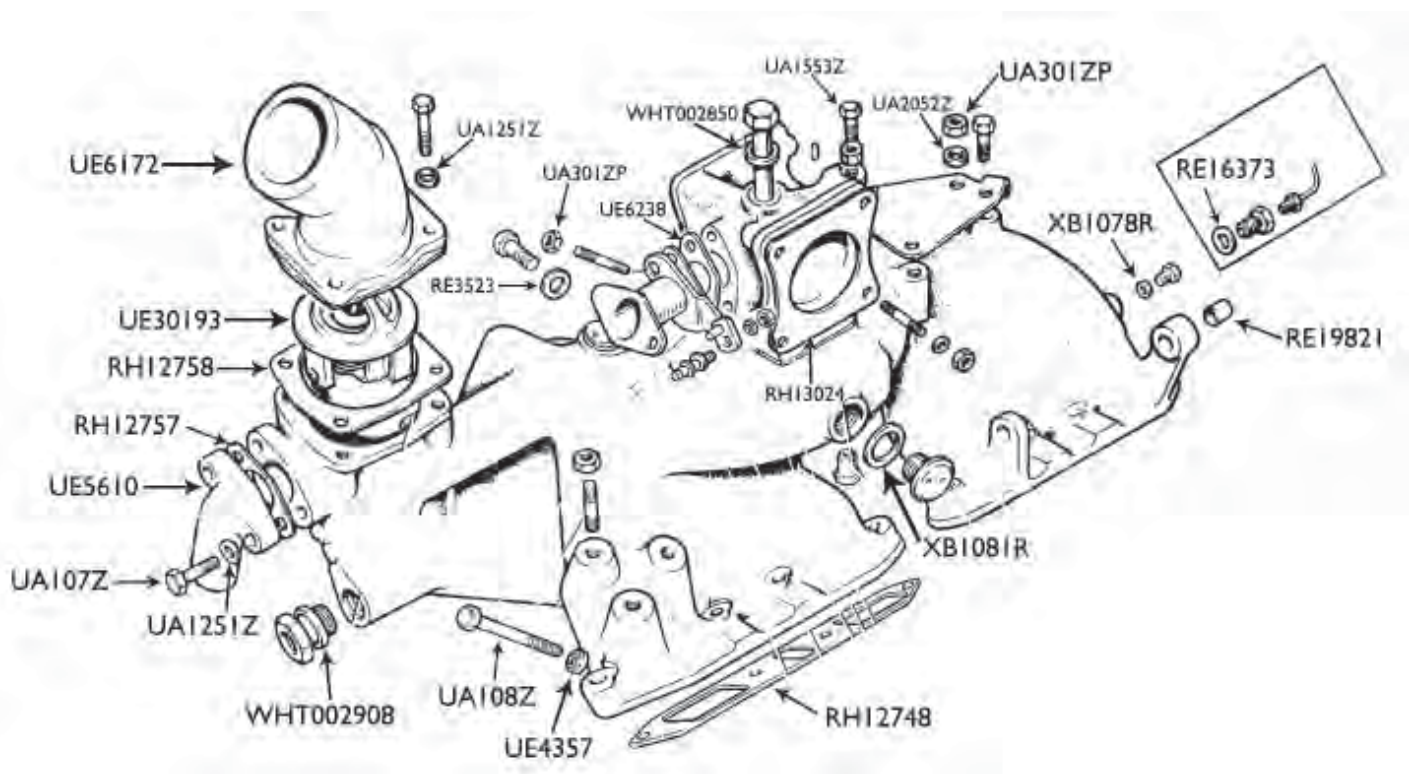
PISTON & RINGS (S grade)	UE32936S
PISTON & RINGS (T grade)	UE32936T
CYLINDER LINER	UE71222P
CYLINDER LINER SEAL SET	UE8581/2
AFTERMARKET PISTON RING SET	PISTON4RINGSET
TOP PISTON RING	UE5691
CENTRE PISTON RING	UE5692
OIL CONTROL RING	UE33334
SMALL END BUSH	UE41845
CON ROD	UE9840
CON ROD	UE9840U
CON ROD BOLT	UE6056
CON ROD NUT	UE5310
LOAN OF CYLINDER LINER PULLER	RH7095LOAN

COMPLETE & SHORT ENGINES

REBUILT ENGINE (Silver Cloud III & S3)	RS2SXR
--	--------

V8 CYLINDER ENGINE (SERIES 2 & 3 MODELS) - INLET MANIFOLD

INLET MANIFOLD GASKET	RH12748P
THICK WASHER	UA2052Z
THERMOSTAT	UE30193P
THERMOSTAT GASKET	RH12758P
COOLANT TEMPERATURE SENDER	UD3012P
WASHER	WHT002908
BYPASS GASKET	RH12757P
WASHER	WHT002849P
CARBURETTOR TO INLET MANIFOLD GASKET (2 per engine)	RH13024P
GASKET (Butterfly housing to support bracket)	UE6238
WASHER	XB1081R
SEALING WASHER	XB1078RP
WASHER (Petrol drain pipe - inlet manifold)	RE3523
NUT	UA301ZP
BOLT	UA106ZP
WASHER	WHT002850



ALL DIAGRAMS REPRODUCED WITH KIND PERMISSION OF BENTLEY MOTORS LIMITED - COPYRIGHT OF BENTLEY MOTORS LIMITED

EXHAUSTS - SERIES 1 MODELS

See Diagram Page 97

EXHAUST MANIFOLDS & FITTINGS

EXHAUST MANIFOLD	UE364P
EXHAUST MANIFOLD	UE364U
EXHAUST MANIFOLD GASKET	RH13108P
EXHAUST MANIFOLD TO CYLINDER HEAD STUD	RE16814P
EXHAUST MANIFOLD STUD NUT	RE14285P
WASHER	WHT002850
GASKET (Exhaust manifold to downpipe)	UE1175P
BOLT	UA157ZPP
NUT	WHT002867

EXHAUST HANGERS & GASKETS

GASKET (Exhaust manifold to downpipe)	UE1175P
GASKET (Between front & rear silencer)	UE1144P
EXHAUST GASKET (Between rear silencer & tail pipe)	UE1683P
BOLT	UA157ZPP
WASHER	WHT002850
NUT	WHT002867
RUBBER EXHAUST HANGER	RE18216P
BOLT FOR EXHAUST HANGER	UA156ZPP
EXHAUST HANGER MOUNTING PLATE	EW1332P
RUBBER HANGER DISTANCE PIECE	E50062P

EXHAUSTS - SERIES 1 MODELS

PIPES & SILENCERS - AFTERMARKET MILD STEEL

EXHAUST SYSTEM (Early Series 1 models)	EXMSS1
EXHAUST SYSTEM (Late Series 1 models)	EXMSS1L
DOWNPIPES & FRONT SILENCER (SWB models)	RH7549P
REAR SILENCER (Early models - Before SGE500 (RR) & B336FA (B))	RH7042P
REAR SILENCER (Later models - From SGE501 (RR) & B337FA (B))	RH7043P
TAIL PIPE	RH7571P
CHROME TAIL PIPE EXTENSION (12" long)	RE18095P
DOWNPIPES & FRONT SILENCER (LWB models)	RH7629P
DOWNPIPES & FRONT SILENCER (Continental models)	RH7640P
TAIL PIPE (Continental models)	RH7639P

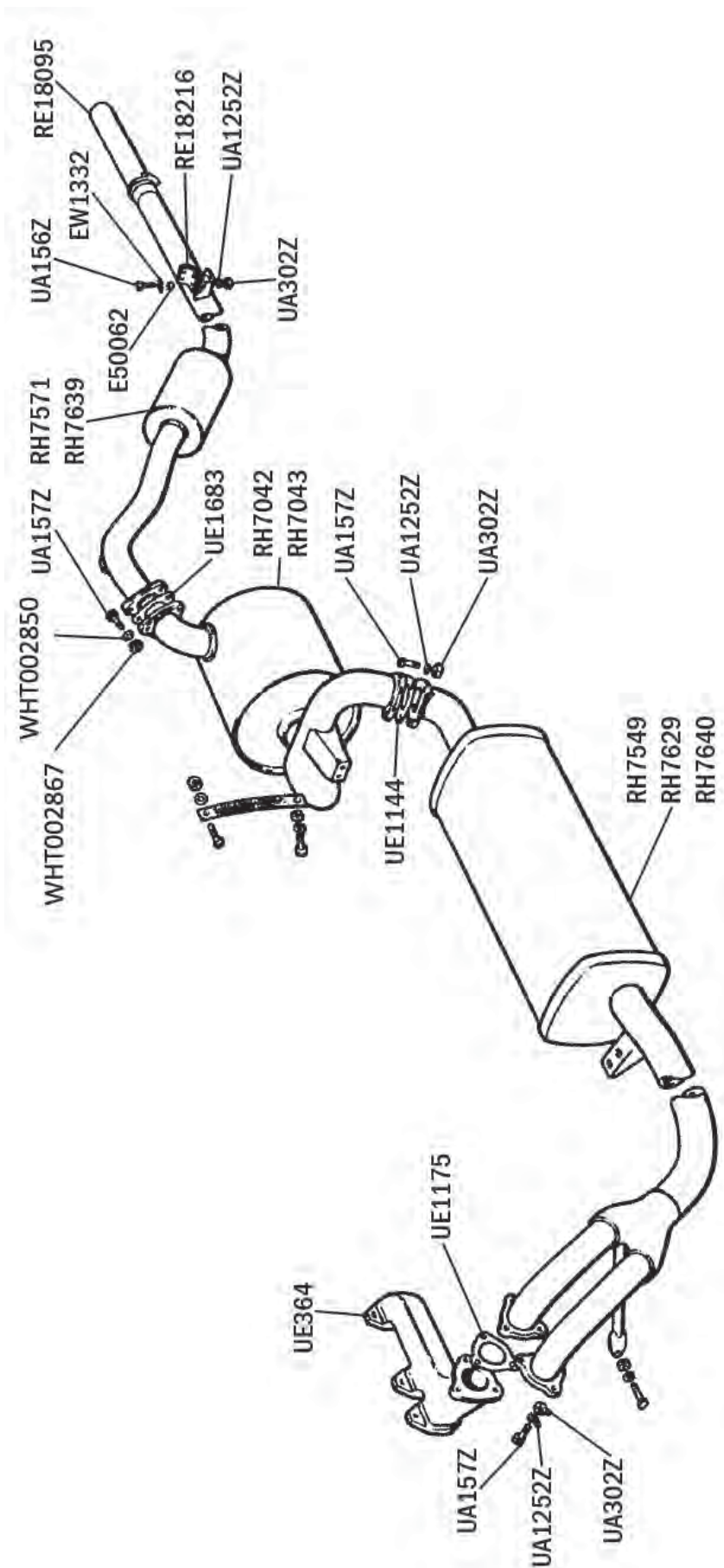
PIPES & SILENCERS - STAINLESS STEEL

DOWNPIPES & FRONT SILENCER SWB	RH7549S
DOWNPIPES & FRONT SILENCER LWB	RH7629S
DOWNPIPES & FRONT SILENCER CONTINENTAL CARS	RH7640S
REAR SILENCER (Early models - Before SGE500 (RR) & B336FA (B))	RH7042S
REAR SILENCER (Later models - From SGE501 (RR) & B337FA (B))	RH7043S
TAIL PIPE	RH7571S
REAR SILENCER & TAIL PIPE (Continental only)	RH7639S
CHROME TAIL PIPE EXTENSION (12" long)	RE18095P

PIPES & SILENCERS - GENUINE

DOWNPIPES & FRONT SILENCER SWB	RH7549
DOWNPIPES & FRONT SILENCER LWB	RH7629
DOWNPIPES & FRONT SILENCER CONTINENTAL CARS	RH7640
REAR SILENCER (Early models - Before SGE500 (RR) & B336FA (B))	RH7042
REAR SILENCER (Later models - From SGE501 (RR) & B337FA (B))	RH7043
REAR SILENCER & TAIL PIPE	RH7571
REAR SILENCER & TAIL PIPE CONTINENTAL ONLY	RH7639
CHROME TAIL PIPE EXTENSION	RE18095

EXHAUSTS - SERIES 1 MODELS

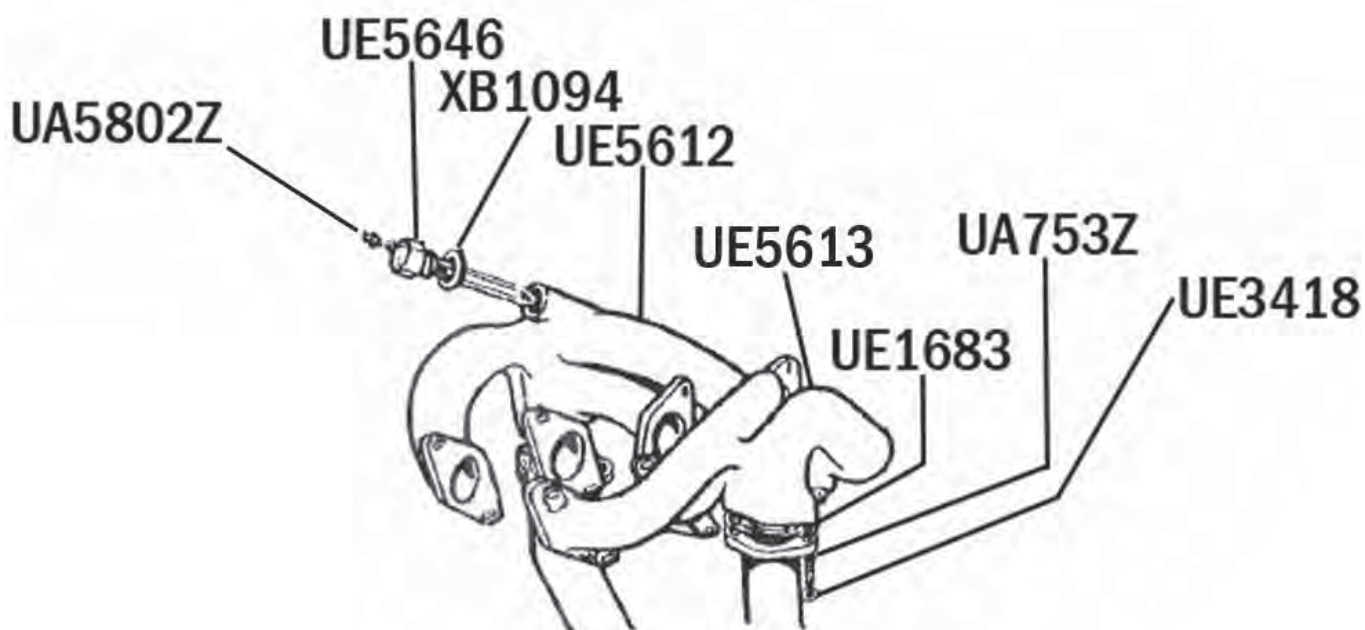


ALL DIAGRAMS REPRODUCED WITH KIND PERMISSION OF BENTLEY MOTORS LIMITED - COPYRIGHT OF BENTLEY MOTORS LIMITED

EXHAUSTS - SERIES 2 & 3 MODELS

EXHAUST MANIFOLDS & GASKETS

RH EXHAUST MANIFOLD	UE5612P
RH EXHAUST MANIFOLD	UE5612U
LH EXHAUST MANIFOLD	UE5613P
LH EXHAUST MANIFOLD	UE5613U
EXHAUST MANIFOLD GASKET (4 per manifold)	RH13107P
STUD (Exhaust manifold to cylinder head)	UE3831P
NUT (Exhaust manifold stud)	RE23756P
WASHER	WHT002850
CHOKE U TUBE (RH manifold)	UE5646
WASHER	XB1094R
ADAPTER U TUBE TO STOVE PIPE	UA5802ZP
SEALING WASHER	XB1078RP
STOVE PIPE (Long)	UE8233P
STOVE PIPE (Short)	UE8232P
EXHAUST DOWNPIPE GASKET (1 per manifold)	UE1683P
STUD (Exhaust manifold to downpipe)	UA753ZPP
NUT (Exhaust manifold to downpipe stud)	UE3418
HEATSHIELD (RH exhaust manifold)	UE30316U



EXHAUSTS - SERIES 2 & 3 MODELS

See Diagram Page 101

HANGERS & GASKETS - SERIES 2 & EARLY SERIES 3

EXHAUST GASKET (Manifold to downpipe, Downpipe to front silencer, Rear silencer to tail pipe)	UE1683P
GASKET (Between front & rear silencer)	UE1144P
BOLT	UA157ZPP
WASHER	WHT002850
NUT	WHT002867
RUBBER EXHAUST HANGER	RE18216P
BOLT FOR EXHAUST HANGER	UA156ZPP
RUBBER HANGER DISTANCE PIECE	E50062P
EXHAUST HANGER MOUNTING PLATE	EW1332P
HEATSHIELD (RH downpipe)	UR4610

EXHAUST - SERIES 2 & EARLY SERIES 3 MODELS

PIPES & SILENCERS - AFTERMARKET MILD STEEL

RH DOWNPIPE	UE3499P
LH DOWNPIPE	UE3416P
FRONT SILENCER SWB	RH7598P
REAR SILENCER	RH7625P
TAIL PIPE SWB	RH7603P
COMPLETE SWB EXHAUST SYSTEM (Mild steel)	EXMSS2
FRONT SILENCER (Early LWB Cars)	RH7599P
FRONT SILENCER (Later LWB Cars)	RH7613P
FRONT SILENCER CONTINENTAL	RH7595P
TAIL PIPE CONTINENTAL	RH7604P
TAIL PIPE CONTINENTAL PARK WARD	RH7605P

PIPES & SILENCERS - AFTERMARKET STAINLESS STEEL

RH DOWNPIPE	UE3499S
LH DOWNPIPE	UE3416S
FRONT SILENCER SWB	RH7598S
FRONT SILENCER CONTINENTAL	RH7595S
REAR SILENCER	RH7625S
FRONT SILENCER (Early LWB Cars)	RH7599S
FRONT SILENCER (Later LWB Cars)	RH7613S
TAIL PIPE SWB	RH7603S
TAIL PIPE CONTINENTAL	RH7604S
TAIL PIPE CONTINENTAL PARK WARD	RH7605S

PIPES & SILENCERS - GENUINE

RH DOWNPIPE	UE3499
LH DOWNPIPE	UE3416
FRONT SILENCER SWB	RH7598
REAR SILENCER	RH7625
TAIL PIPE SWB	RH7603
FRONT SILENCER (Early LWB Cars)	RH7599
FRONT SILENCER (Later LWB Cars)	RH7613
FRONT SILENCER CONTINENTAL	RH7595
TAIL PIPE CONTINENTAL	RH7604
TAIL PIPE CONTINENTAL PARK WARD	RH7605

EXHAUST - LATER SERIES 3 MODELS

PIPES & SILENCERS - AFTERMARKET MILD STEEL

DOWNPIPE RH LONG	UR5903P
DOWNPIPE LH SHORT	UR5638P
FRONT SILENCER	UR5948P
REAR SILENCER SWB	UR5648P
TAIL PIPE	UR5678P
COMPLETE SWB EXHAUST SYSTEM (Mild steel)	EXMSS3
REAR SILENCER LWB	UR5651P
TAIL PIPE CONTINENTAL	UR5873P

PIPES & SILENCERS - AFTERMARKET STAINLESS STEEL

DOWNPIPE RH LONG	UR5903S
DOWNPIPE LH SHORT	UR5638S
FRONT SILENCER	UR5948S
REAR SILENCER SWB	UR5648S
TAIL PIPE	UR5678S
REAR SILENCER LWB	UR5651S
TAIL PIPE CONTINENTAL	UR5873S

PIPES & SILENCERS - GENUINE

DOWNPIPE RH LONG	UR5903
DOWNPIPE LH SHORT	UR5638
FRONT SILENCER	UR5948
REAR SILENCER SWB	UR5648
TAIL PIPE	UR5678
REAR SILENCER LWB	UR5651
TAIL PIPE CONTINENTAL	UR5873

CLAMPS, OLIVES & HANGERS

EXHAUST HALF CLAMP	UR5639P
EXHAUST HALF CLAMP	UR5639U
EXHAUST HALF CLAMP NUT	UR5665P
EXHAUST HALF CLAMP BOLT	UR5666P
EXHAUST OLIVE	UR10798P
EXHAUST HALF CLAMP	RE25307P
EXHAUST OLIVE	UR5367P
EXHAUST HANGER	UR19247P
HEATSHIELD (RH downpipe)	UR4610

FUEL PUMP

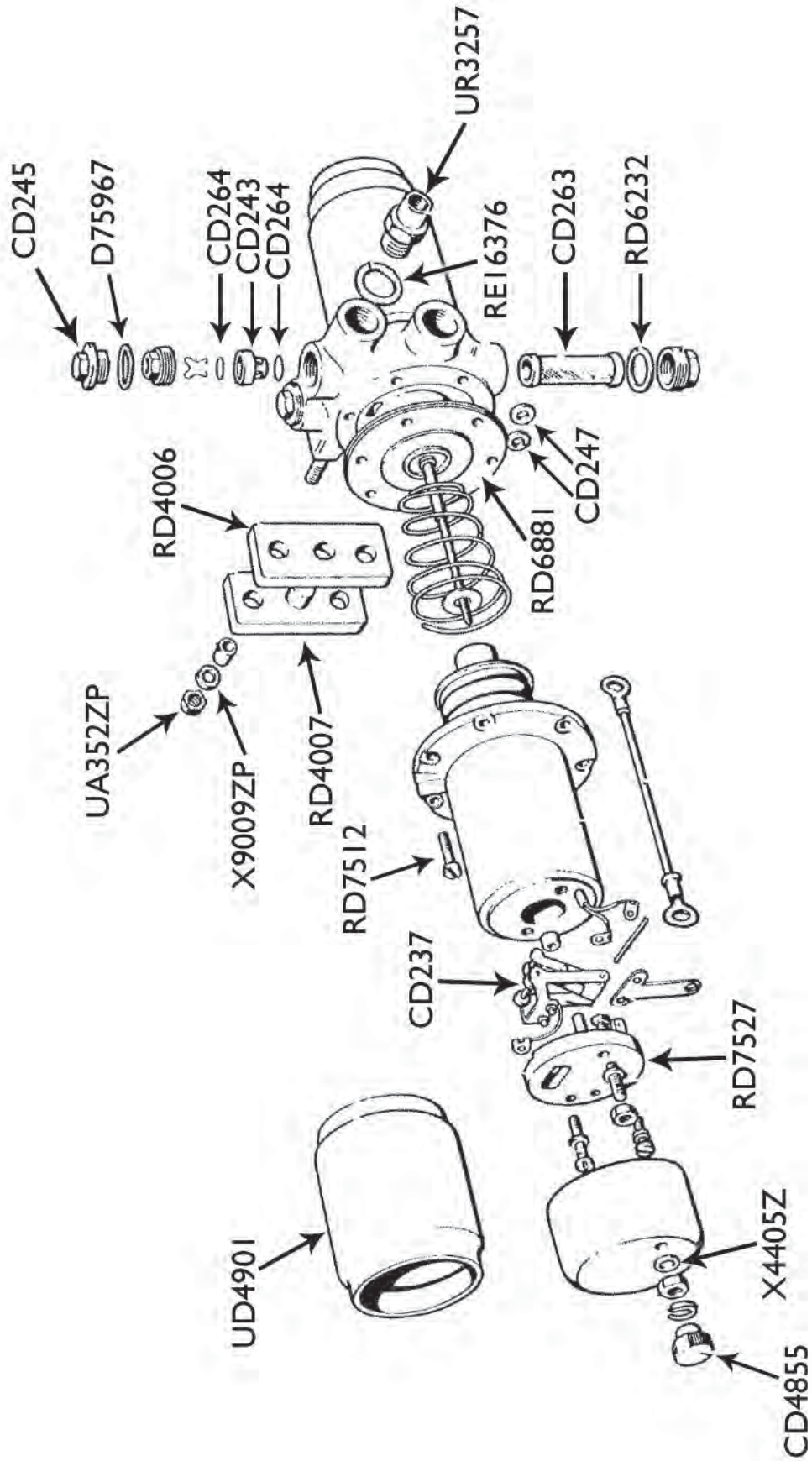
Originally all Silver Cloud & Bentley S models were fitted with a fuel pump that mounted directly onto the chassis via two studs. All Series 1 & early Series 2 models were fitted with pump DB1935 which contained diaphragm RD6801. Later Series 2 & all Series 3 models were fitted with pump UD8137 which contained a shorter diaphragm. Subsequently, these pumps became obsolete and the later Silver Shadow fuel pump UD22715FC was supplied which required fitting kit RH2380 to mount it to the chassis.

ORIGINAL STUD-MOUNTED FUEL PUMP

FUEL PUMP (Stud-mounted/ long diaphragm)	DB1935SXR
FUEL PUMP (Stud mounted/ short diaphragm)	UD8137SXR
FUEL PUMP POINTS	CD237P
FUEL PUMP MOUNT (Inner)	RD4006
FUEL PUMP MOUNT (Outer)	RD4007
FUEL PUMP DIAPHRAGM (Long diaphragm - early models)	RD6881P
VALVE DISC (Fuel pump - 4 per pump)	CD2356
WASHER (Fuel pump top plug)	D75967
VALVE DISC (Fuel pump - 4 per pump)	CD264
VALVE CAGE (Fuel pump)	CD243
WASHER	RE16376
UNION	UR3257
UNION (Fuel pump hose - late Series 3 models)	UR8106
FILTER (Inside fuel pump)	CD263
FIBRE WASHER (Fuel pump internal filter)	RD6232
BRASS ROLLER (Fuel pump diaphragm - 4 per pump)	CD247
SPRING WASHER	X9009ZP
HALF NUT	UA352ZP
CHEESEHEAD SCREW (Fuel pump body - 12 per pump)	RD7512
END PLATE MOULDING (Fuel pump)	RD7527
SLEEVE (Fuel pump)	UD4901
TERMINAL NUT (Fuel pump)	CD4855
FUEL HOSE (6' length)	RH9561

FUEL PUMP

ORIGINAL STUD-MOUNTED FUEL PUMP - LONG DIAPHRAGM



ALL DIAGRAMS REPRODUCED WITH KIND PERMISSION OF BENTLEY MOTORS LIMITED - COPYRIGHT OF BENTLEY MOTORS LIMITED

FUEL

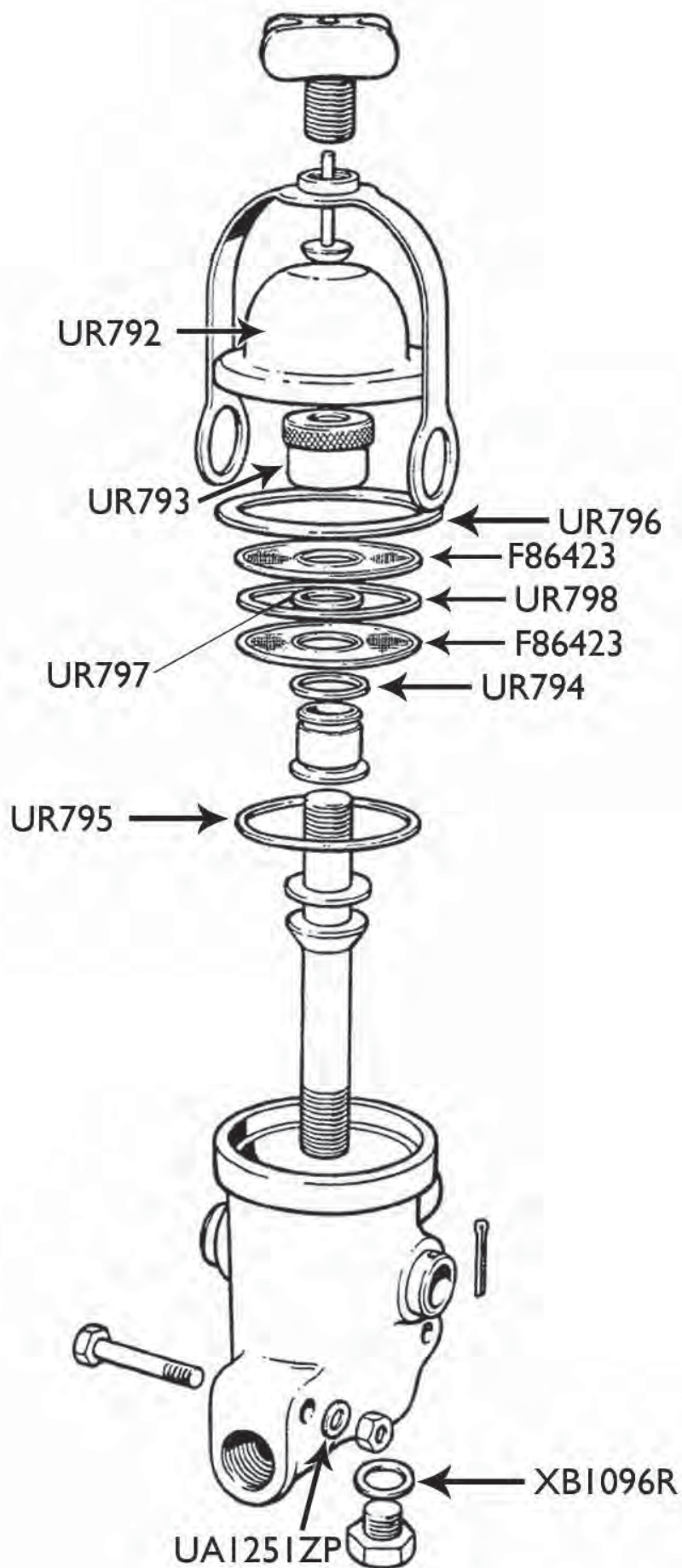
REPLACEMENT FUEL PUMP

FUEL PUMP (Negative earth)	UD22715FC
FUEL PUMP ASSEMBLY (Negative earth)	UD22715FCP
FUEL PUMP ASSEMBLY (Positive earth)	UD22715ENPP
FITTING KIT FOR MODERN PUMP	RH2380P
SEALING RING (Fuel pump)	CD4725
FUEL PUMP POINTS	CD237P
FUEL PUMP OVERHAUL KIT	UD22715FCKIT
FUEL PUMP INSULATING STRIP	UD10942P

FUEL FILTER

FUEL FILTER ASSEMBLY	UR3009U
FUEL FILTER TOP	UR792
FUEL FILTER SEAL	UR796P
FUEL FILTER GAUZE (2 per filter)	F86423
FUEL FILTER WASHER	UR798
FUEL FILTER WASHER	UR797
FUEL FILTER SEALING RING	UR794
FUEL FILTER SEALING RING	UR795
WASHER	WHT002849P
UNION	UR3257
WASHER	RE16376
OLIVE (Fuel pipe unions)	XB3004
FUEL HOSE (6' length)	RH9561
GROMMET (For fuel pipe coupling)	UR2657
TUBING NUT (For fuel pipe olive)	UR3262

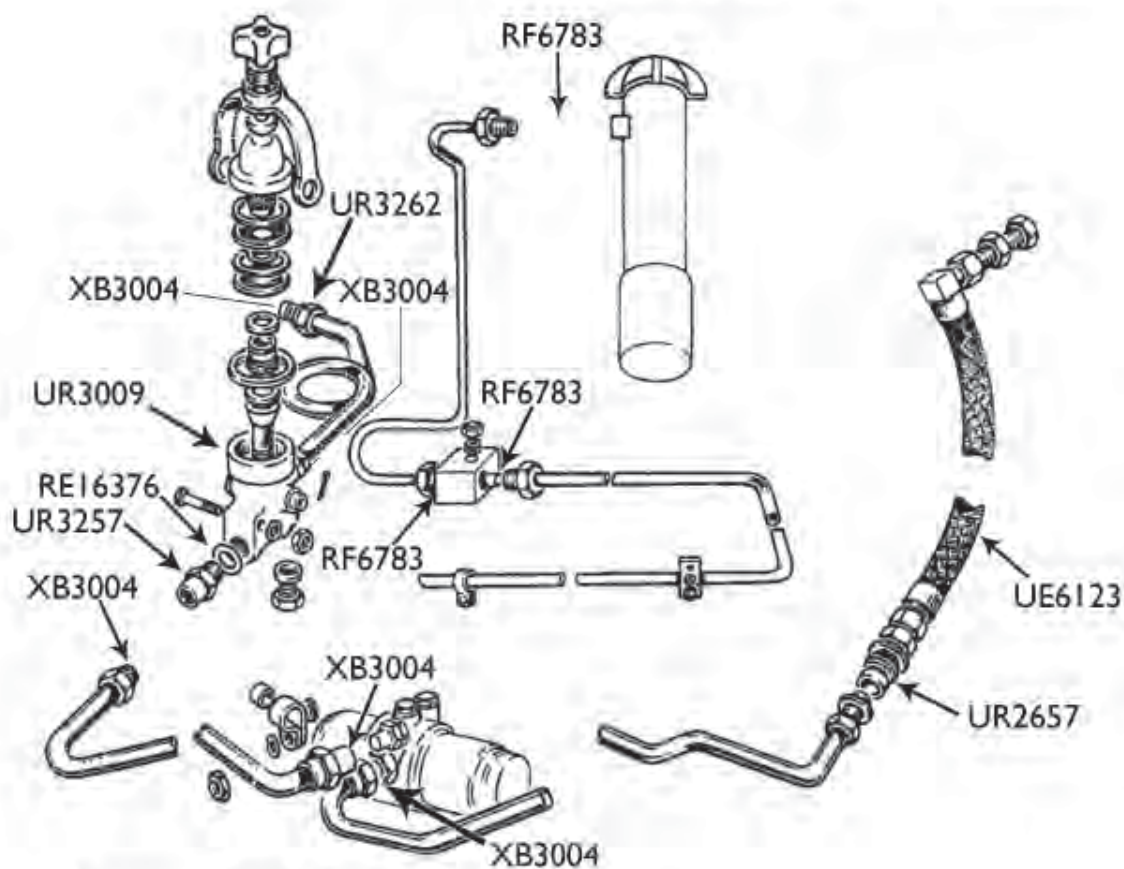
FUEL FILTER



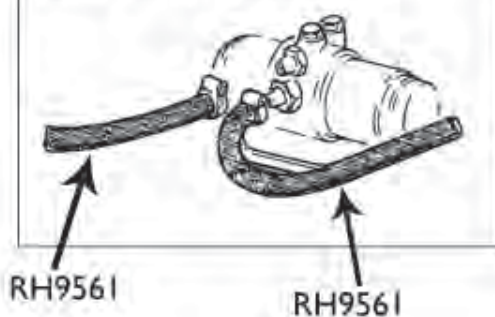
FUEL PIPES & HOSES - SERIES 2 & 3 MODELS

MAIN FUEL FEED HOSE	UE6123P
UNION	UR3257
WASHER	RE16376
OLIVE (Fuel pipe unions)	XB3004
TUBING NUT (For fuel pipe olive)	UR3262
COMPRESSION SLEEVE	RF6783
GROMMET (For fuel pipe coupling)	UR2657
FUEL HOSE (6' length)	RH9561

Series 2 & Early Series 3 Models



Late Series 3 Models



CARBURETTERS - SERIES 1 MODELS

MAIN CARBURETTER - CARS WITH 1.75" CARBURETTERS

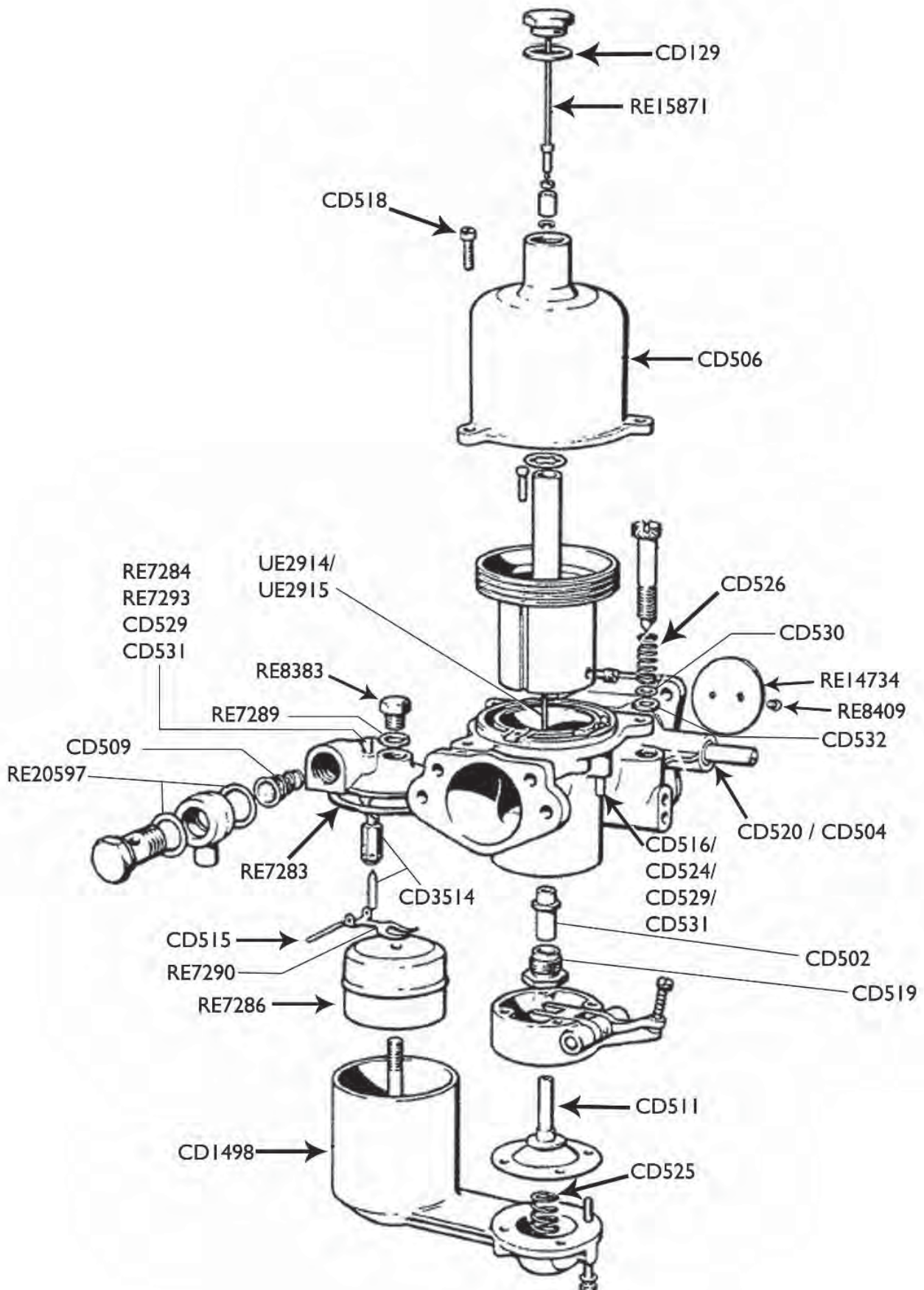
CARBURETTER REBUILD KIT (Early Series 1 & Early Series 2 Models - 2 kits required per car)	CARBKITS2E
MAIN JET (1.75" Carb & Early Series 2 Models)	CD511P
MAIN NEEDLE (1.75" Carb)	UE2914P
CARBURETTER JET BEARING	CD502
DASHPOT / SUCTION CHAMBER (1.75" carburetter)	CD506
DASHPOT TO CARB BODY SCREW (3 per carb)	CD518
SPRING (Slow run valve)	CD526
BRASS WASHER (Slow run valve)	CD530
SCREW (Throttle disc - 2 screws per disc)	RE8409
NEOPRENE WASHER (Slow run valve)	CD532
GLAND SEAL (Throttle spindle)	CD520
RETAINING CAP (For throttle spindle gland seal)	CD504
PIN (Carb piston lift)	CD516
SPRING (Carb piston lift pin)	CD524
BRASS WASHER (Carb piston lift pin & tickler pin)	CD529
NEOPRENE WASHER (Carb piston lift pin & tickler pin)	CD531
CARB DAMPER	RE15871
FIBRE WASHER (Carb damper)	CD129

FLOAT CHAMBER - CARS WITH 1.75" CARBURETTERS

CARBURETTER REBUILD KIT (Early Series 1 & Early Series 2 Models - 2 kits required per car)	CARBKITS2E
FLOAT NEEDLE VALVE AND SEAT KIT	CD3514P
SU CARBURETTER FLOAT (1 & 7/8") & GASKET	RE7286P
GASKET (Carburetter float lid)	RE7283P
ALUMINIUM WASHER (2 per car - carb float lid)	RE7289P
FLOAT CHAMBER LID CAP NUT	RE8383
FILTER (Float chamber lid)	CD509P
WASHER (Carb float lid filter - 4 per car)	RE20597P
TICKLER PIN (Float chamber lid)	RE7284
TICKLER PIN SPRING (Float chamber lid)	RE7293
NEOPRENE WASHER (Carb piston lift pin & tickler pin)	CD531
BRASS WASHER (Carb piston lift pin & tickler pin)	CD529
HINGED LEVER (Float needle)	RE7290
PIN (Carb float lever)	CD515
FLOAT CHAMBER	CD1498

CARBURETTORS - SERIES 1 MODELS

MAIN CARBURETTOR - CARS WITH 1.75" CARBURETTORS

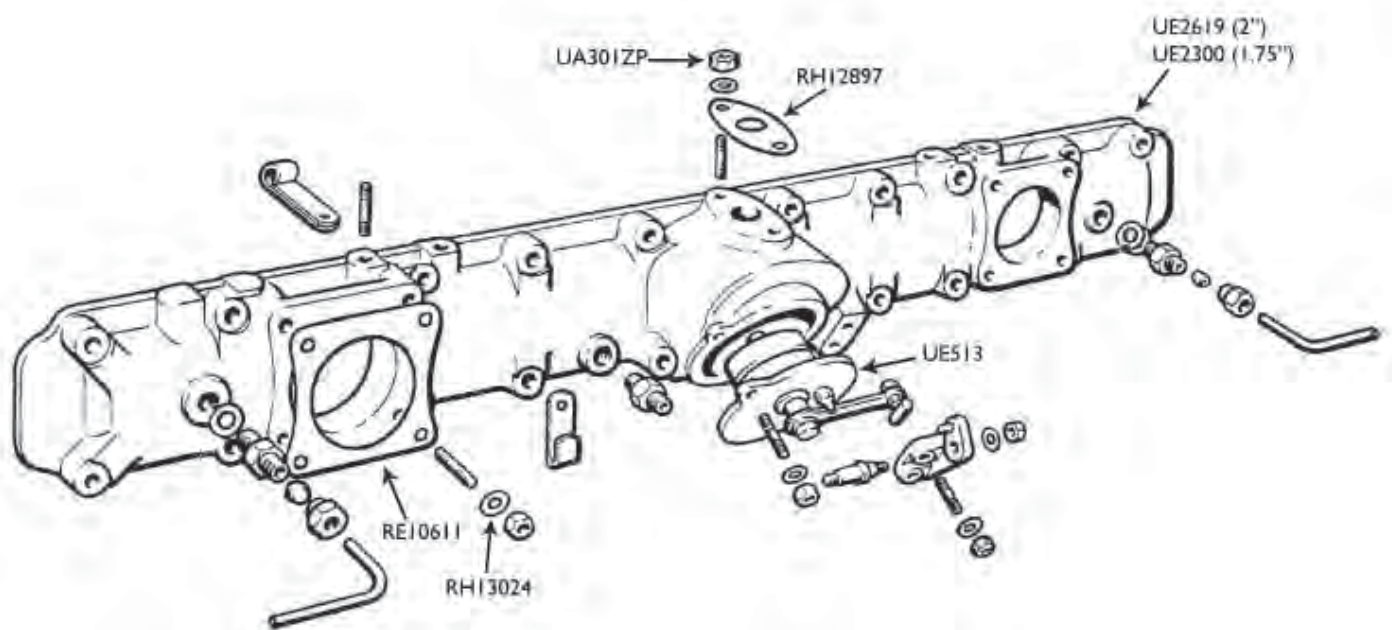


ALL DIAGRAMS REPRODUCED WITH KIND PERMISSION OF BENTLEY MOTORS LIMITED - COPYRIGHT OF BENTLEY MOTORS LIMITED

CARBURETTORS - SERIES 1 MODELS

GASKETS - CARS WITH 1.75" CARBURETTORS

CARBURETTOR TO INLET MANIFOLD GASKET (2 per engine - cars with 1.75" carbs)	RE10611P
CARBURETTOR TO INLET MANIFOLD GASKET (2 per engine - cars with 2" carbs)	RH13024P
AIR INTAKE TO CHOKE BODY GASKET	RH13025
HOTSPOT PIPE GASKET (Inlet manifold)	RH12897
AIR INTAKE TO BUTTERFLY HOUSING GASKETS	RH12784P



CARBURETTERS - SERIES 1 MODELS

MAIN CARBURETTER - CARS WITH 2" CARBURETTERS

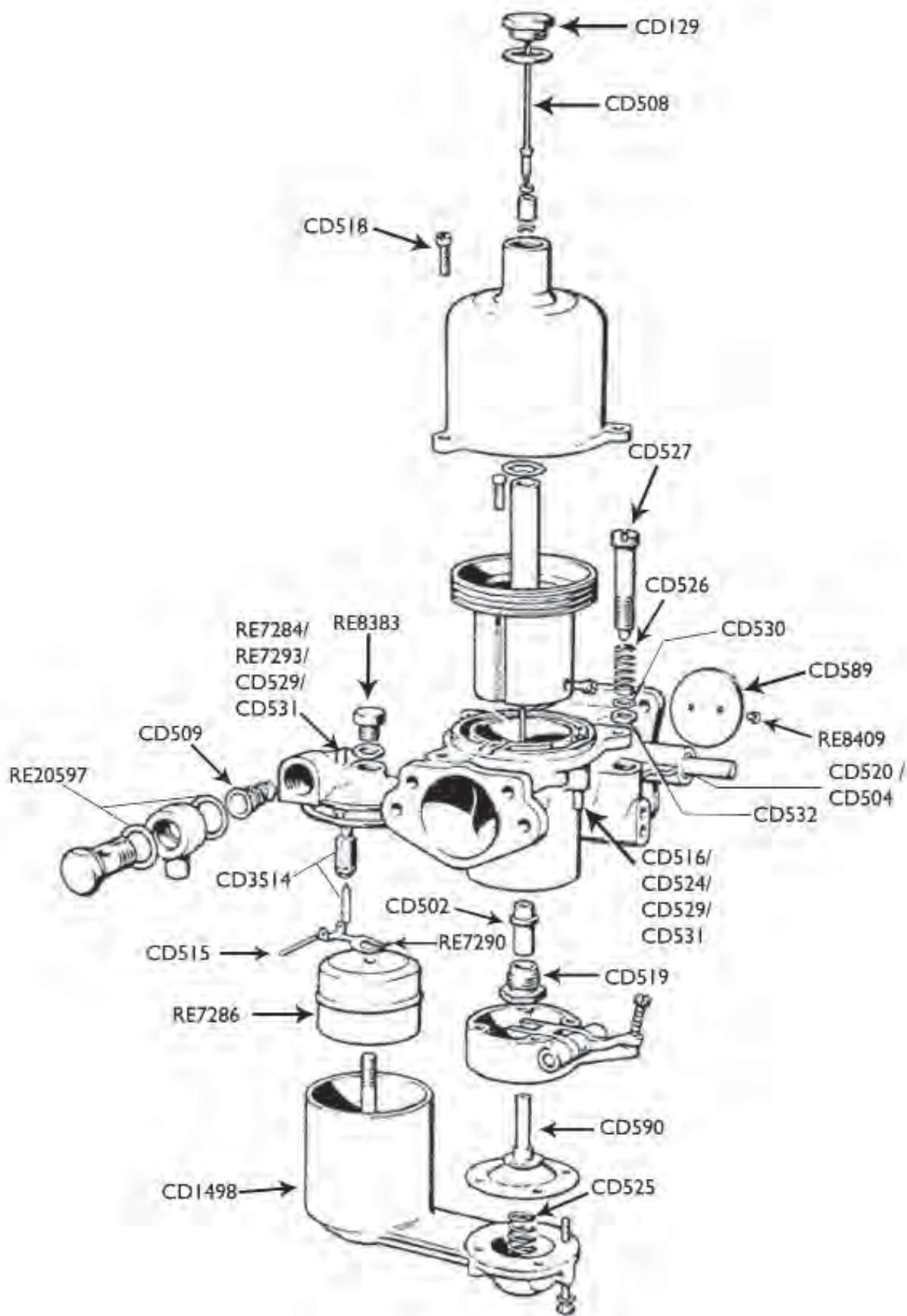
CARBURETTER REBUILD KIT (2 kits required per car)	CARBKITS1L
MAIN NEEDLE (2" Carb)	UE4105
MAIN CARB NEEDLE (TC - Cars with oil bath air cleaner)	UE4448
MAIN JET (2" Carb)	CD590P
FIBRE WASHER (Carb damper)	CD129
CARB DAMPER	CD508
SPRING (Slow run valve)	CD526
BRASS WASHER (Slow run valve)	CD530
NEOPRENE WASHER (Slow run valve)	CD532
THROTTLE DISC	CD589
SCREW (Throttle disc - 2 screws per disc)	RE8409
GLAND SEAL (Throttle spindle)	CD520
RETAINING CAP (For throttle spindle gland seal)	CD504
PIN (Carb piston lift)	CD516
BRASS WASHER (Carb piston lift pin & tickler pin)	CD529
SPRING (Carb piston lift pin)	CD524
NEOPRENE WASHER (Carb piston lift pin & tickler pin)	CD531
CARBURETTER JET BEARING	CD502
SPRING (Carburetter jet)	CD525
DASHPOT TO CARB BODY SCREW (3 per carb)	CD518

FLOAT CHAMBER - CARS WITH 2" CARBURETTERS

CARBURETTER REBUILD KIT (2 kits required per car)	CARBKITS1L
FLOAT NEEDLE VALVE AND SEAT KIT	CD3514P
SU CARBURETTER FLOAT (1 & 7/8") & GASKET	RE7286P
GASKET (Carburetter float lid)	RE7283P
FLOAT CHAMBER LID CAP NUT	RE8383
ALUMINIUM WASHER (2 per car - carb float lid)	RE7289P
FILTER (Float chamber lid)	CD509P
WASHER (Carb float lid filter - 4 per car)	RE20597P
HINGED LEVER (Float needle)	RE7290
PIN (Carb float lever)	CD515
TICKLER PIN (Float chamber lid)	RE7284
TICKLER PIN SPRING (Float chamber lid)	RE7293
NEOPRENE WASHER (Carb piston lift pin & tickler pin)	CD531
BRASS WASHER (Carb piston lift pin & tickler pin)	CD529

CARBURETTORS - SERIES 1 MODELS

MAIN CARBURETTOR - CARS WITH 2" CARBURETTORS

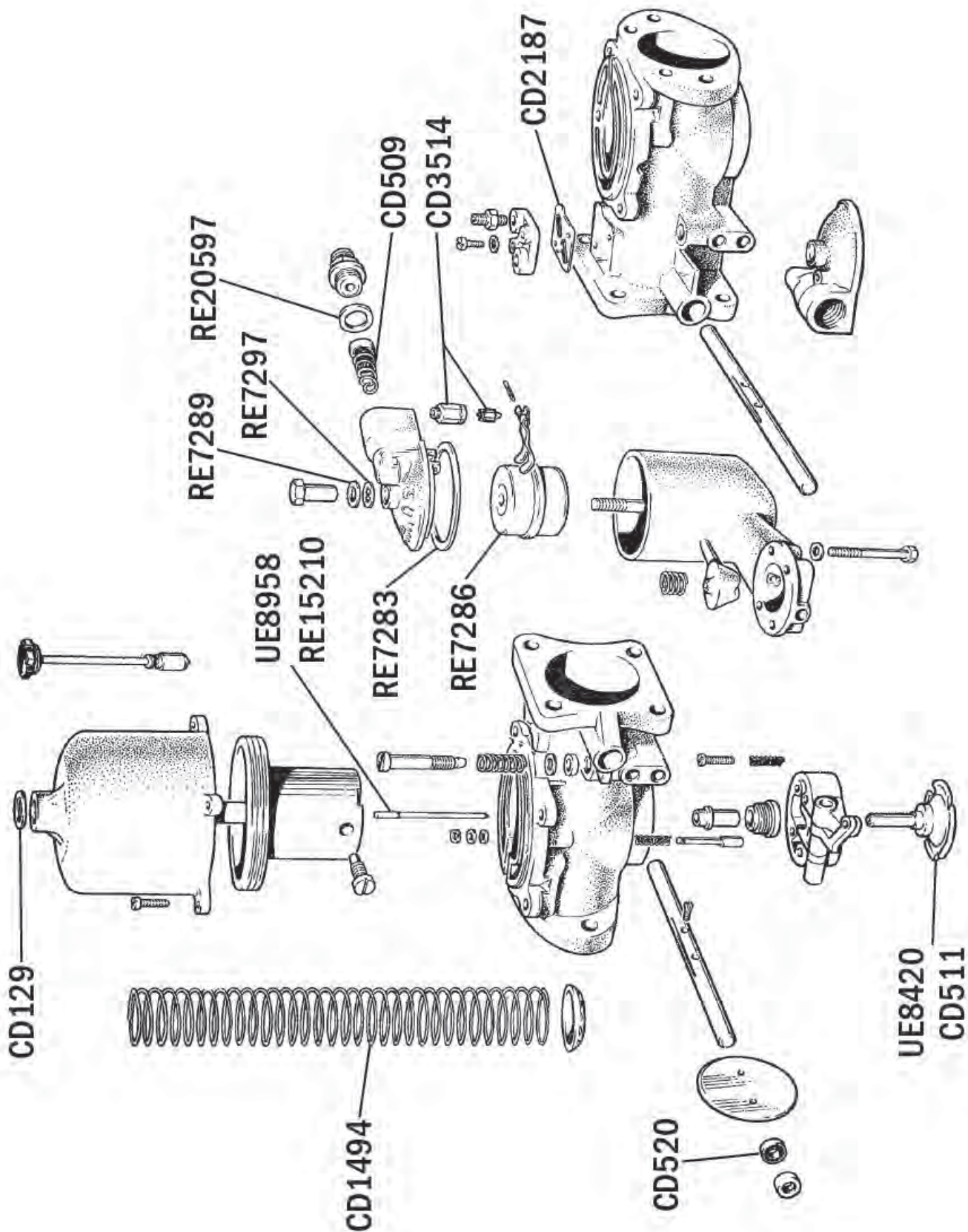


ALL DIAGRAMS REPRODUCED WITH KIND PERMISSION OF BENTLEY MOTORS LIMITED - COPYRIGHT OF BENTLEY MOTORS LIMITED

CARBURETTERS - SERIES 2 MODELS

CARBURETTER REBUILD KIT (Early Series 2 Models - 2 kits required per car)	CARBKITS2E
CARBURETTER REBUILD KIT (Late Series 2 Models - 2 kits required per car)	CARBKITS2L
RETAINING CAP (For throttle spindle gland seal)	CD504
PIN (Carb piston lift)	CD516
BRASS WASHER (Carb piston lift pin & tickler pin)	CD529
NEOPRENE WASHER (Carb piston lift pin & tickler pin)	CD531
CARBURETTER JET BEARING	CD502
HINGED LEVER (Float needle)	RE7290
TICKLER PIN (Float chamber lid)	RE7284
TICKLER PIN SPRING (Float chamber lid)	RE7293
FLOAT CHAMBER LID CAP NUT	RE8383
DASHPOT TO CARB BODY SCREW (3 per carb)	CD518
SPRING (Carb piston lift pin)	CD524
FLOAT NEEDLE VALVE AND SEAT KIT	CD3514P
MAIN JET (Early Series 2 Models)	CD511P
MAIN JET (Late Series 2 Models)	UE8420P
MAIN NEEDLE (SH - Early Series 2 Models)	RE15210P
MAIN NEEDLE (TY - Late Series 2 Models)	UE8958
SU CARBURETTER FLOAT (1 & 7/8") & GASKET	RE7286P
GASKET (Carburetter float lid)	RE7283P
AIR INTAKE TO CARBURETTER GASKET (2 per car)	RH13022P
CARBURETTER TO INLET MANIFOLD GASKET (2 per engine)	RH13024P
WASHER (Carb float lid filter - 4 per car)	RE20597P
FIBRE WASHER (2 per car - carb float lid)	RE7297P
ALUMINIUM WASHER (2 per car - carb float lid)	RE7289P
GLAND SEAL (Throttle spindle)	CD520
FILTER (Float chamber lid)	CD509P

CARBURETTORS - SERIES 2 MODELS

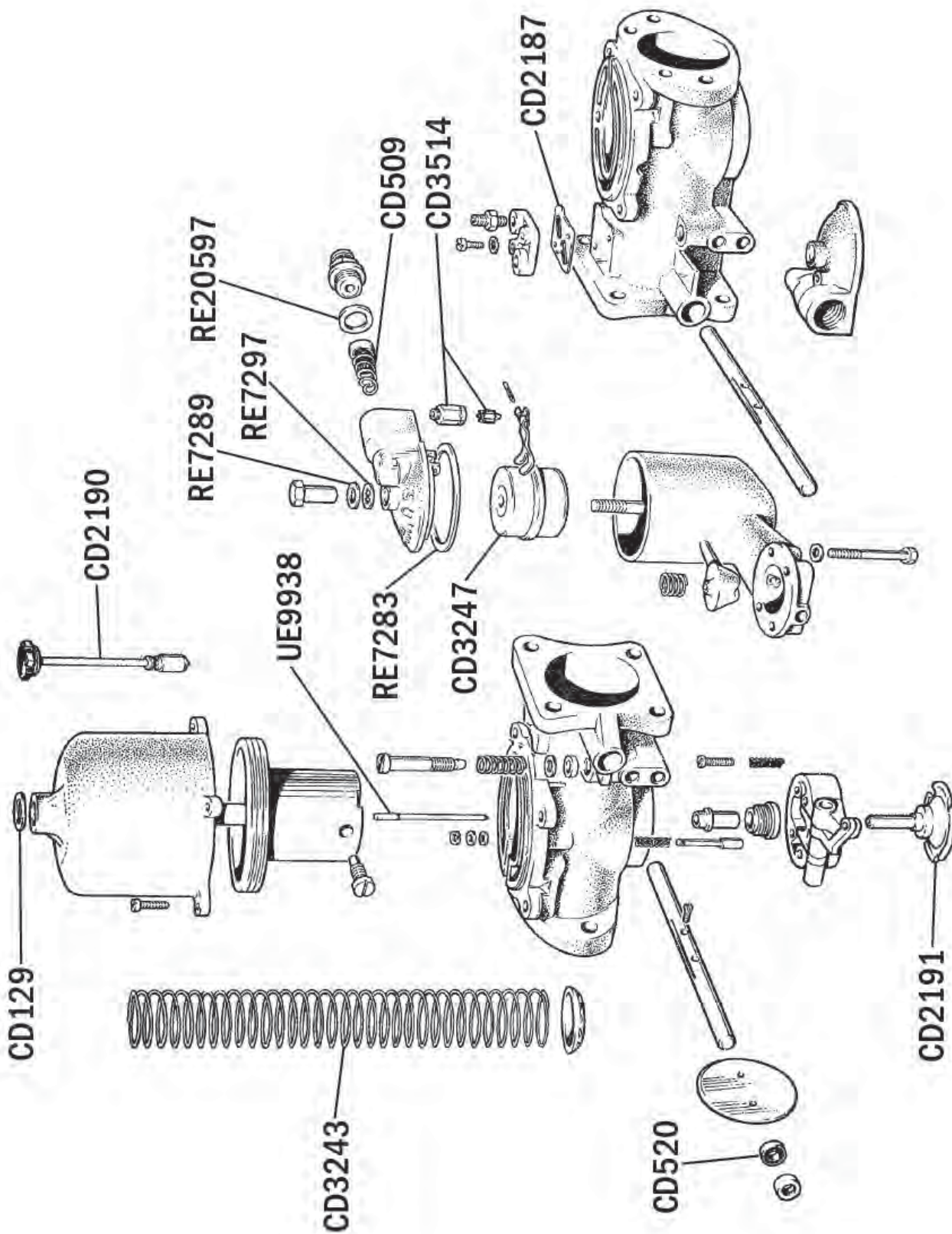


ALL DIAGRAMS REPRODUCED WITH KIND PERMISSION OF BENTLEY MOTORS LIMITED - COPYRIGHT OF BENTLEY MOTORS LIMITED

CARBURETTERS - SERIES 3 MODELS

S3 CARBURETTER REBUILD KIT (2 required per car)	CARBKITS3
RETAINING CAP (For throttle spindle gland seal)	CD504
PIN (Carb piston lift)	CD516
BRASS WASHER (Carb piston lift pin & tickler pin)	CD529
NEOPRENE WASHER (Carb piston lift pin & tickler pin)	CD531
CARBURETTER JET BEARING	CD502
HINGED LEVER (Float needle)	RE7290
TICKLER PIN (Float chamber lid)	RE7284
TICKLER PIN SPRING (Float chamber lid)	RE7293
FLOAT CHAMBER LID CAP NUT	RE8383
DASHPOT TO CARB BODY SCREW (3 per carb)	CD518
SPRING (Carb piston lift pin)	CD524
FLOAT NEEDLE VALVE AND SEAT KIT	CD3514P
MAIN NEEDLE	UE9938P
MAIN JET	CD2191P
CARBURETTER FLOAT (1.5" diameter)	CD3247P
GASKET (Carburetter float lid)	RE7283P
WASHER (Carb float lid filter - 4 per car)	RE20597P
FIBRE WASHER (2 per car - carb float lid)	RE7297P
ALUMINIUM WASHER (2 per car - carb float lid)	RE7289P
DAMPER ASSEMBLY (Carburetter)	CD2190P
GASKET (Weakener device)	CD2187
GLAND SEAL (Throttle spindle)	CD520
SPRING (Main carb piston)	CD3243P
FILTER (Float chamber lid)	CD509P

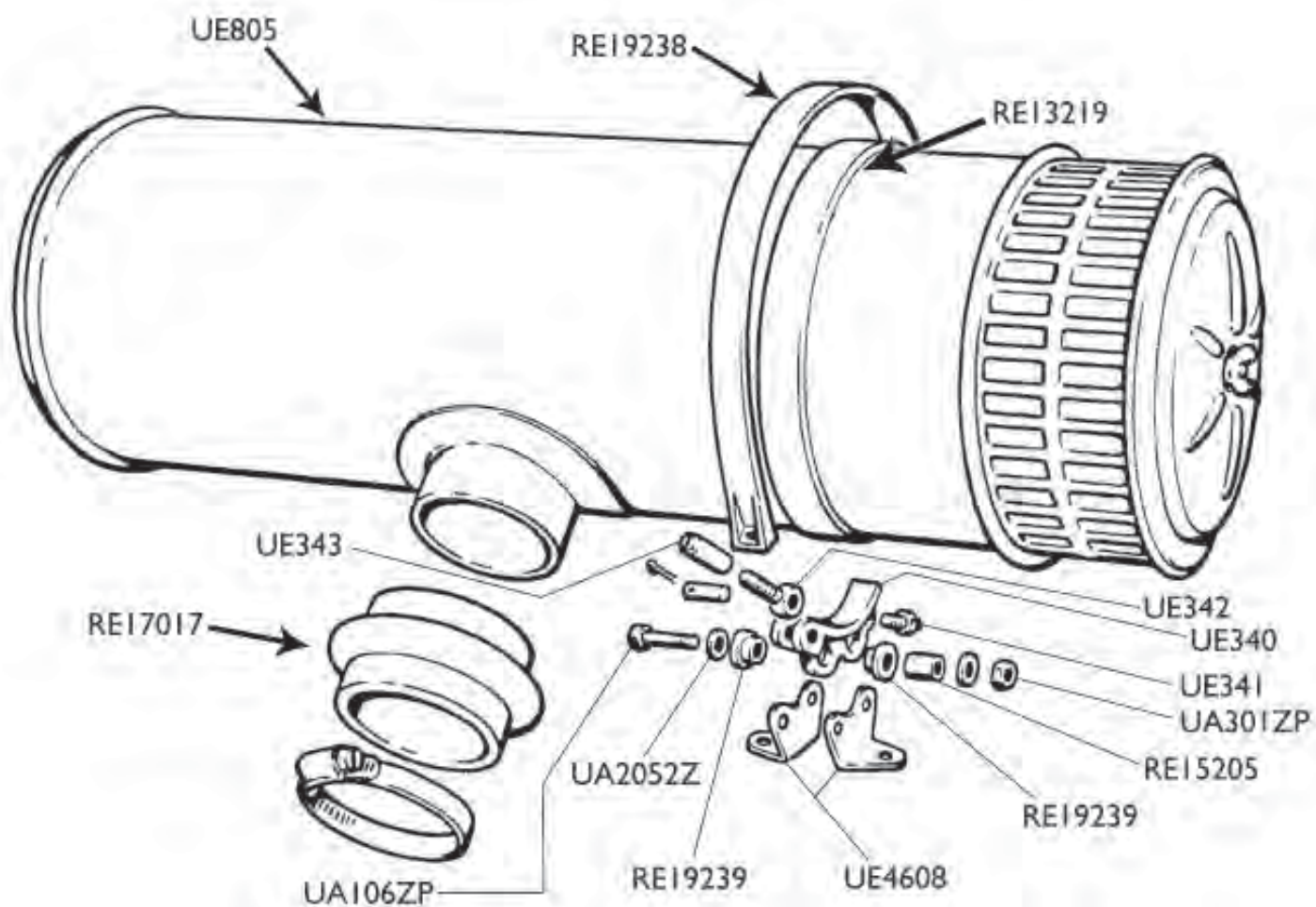
CARBURETTORS - SERIES 3 MODELS



ALL DIAGRAMS REPRODUCED WITH KIND PERMISSION OF BENTLEY MOTORS LIMITED - COPYRIGHT OF BENTLEY MOTORS LIMITED

AIR FILTER - SERIES 1 MODELS

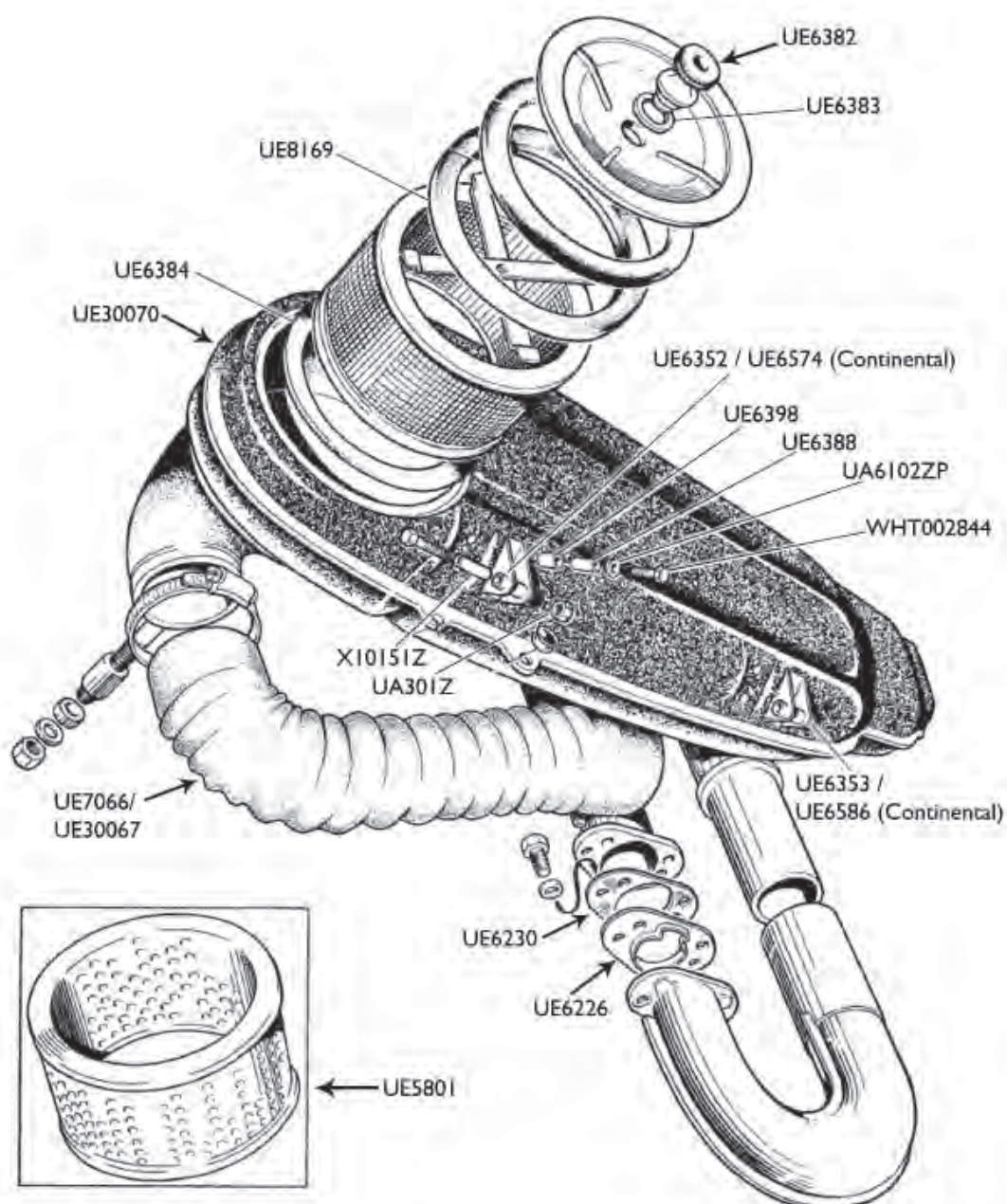
HOSE (Air intake to silencer)	RE17017
AIR INTAKE TO CHOKE BODY GASKET	RH13025
AIR SILENCER ASSEMBLY (Standard models)	UE805U
RETAINING STRAP (Air silencer)	RE19238
RUBBER BAND (Air silencer & heater matrix)	RE13219
SCREW (Air silencer retaining strap)	UE342
NUT (Air silencer retaining strap)	UE343
BUSH (Air silencer retaining strap bracket - 8 per car)	RE19239
BOLT	UA106ZP
THICK WASHER	UA2052Z
NUT	UA301ZP
BRACKET (Air silencer)	UE4608



ALL DIAGRAMS REPRODUCED WITH KIND PERMISSION OF BENTLEY MOTORS LIMITED - COPYRIGHT OF BENTLEY MOTORS LIMITED

AIR FILTER - SERIES 2 & 3 MODELS

AIR FILTER (Series 2 & 3 models)	UE5801P
HOSE (Air silencer to engine - Series 2 models)	UE7066P
HOSE (Air silencer to engine - Series 3 models)	UE30067
AIR TRUNKING (1m length)	AIRTRUNK
GASKET (Air intake to carbs - 4 per car)	UE6230P
AIR SILENCER COVER	UE30070U
UPPER SEAL (Air filter)	UE8169
LOWER SEAL (Air filter)	UE6384
RETAINING NUT (Air silencer cover)	UE6382
WASHER (Air silencer cover)	UE6383



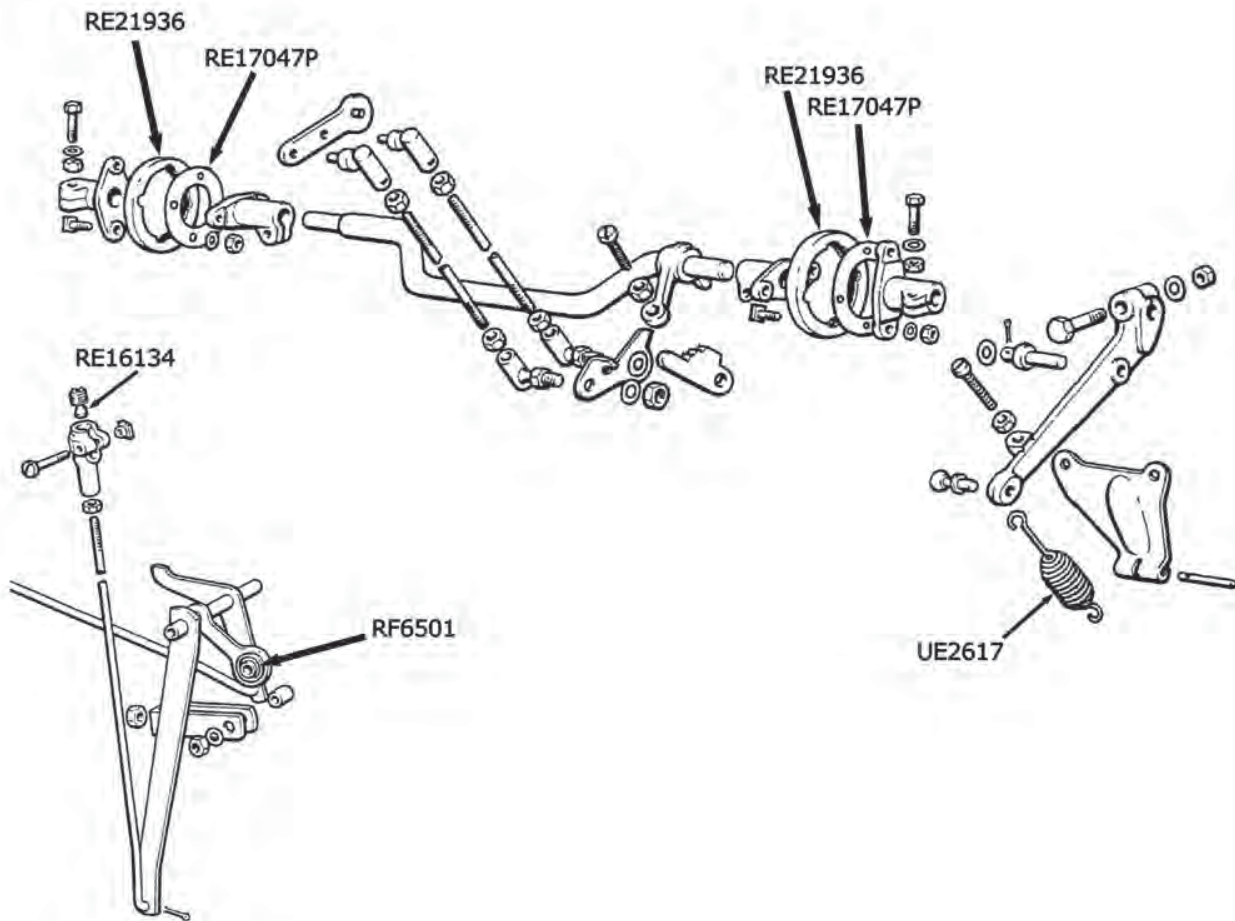
ALL DIAGRAMS REPRODUCED WITH KIND PERMISSION OF BENTLEY MOTORS LIMITED - COPYRIGHT OF BENTLEY MOTORS LIMITED

THROTTLE PEDAL & LINKAGE - SERIES 1 MODELS

COUPLING RING (Throttle linkage)	RE17047P
ADJUSTING SCREW (Throttle rod ball joint)	RE16134
THROTTLE LEVER BUSH	RF6501
ACCELERATOR PEDAL SEAL	UR1008
OILITE BUSH	RF9423
PULL-OFF SPRING (Master cylinder & throttle pedal)	GB5097P
BUFFER RUBBER (On-stop)	UR1234
BUSH (LHD throttle pedal pivot - 2 per pedal)	RF6466

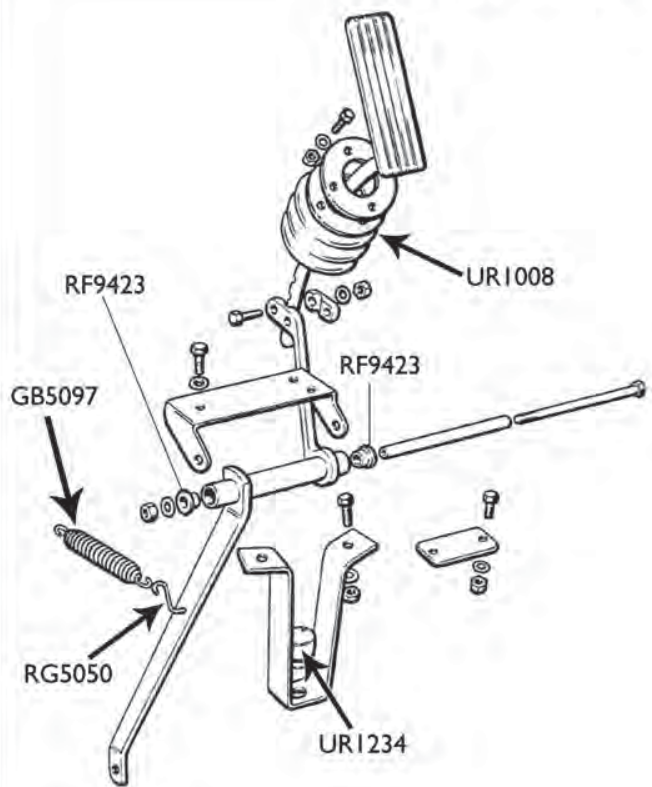
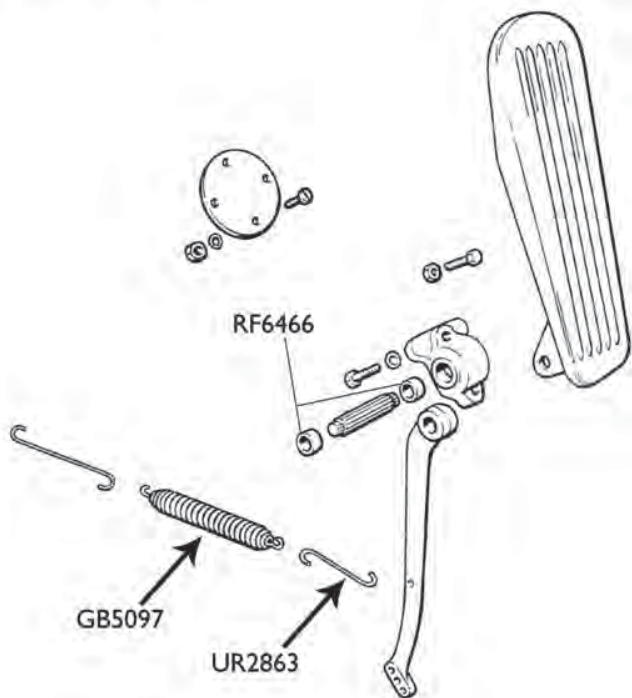


THROTTLE PEDAL & LINKAGE - SERIES 1 MODELS



LHD Pedal

RHD Pedal

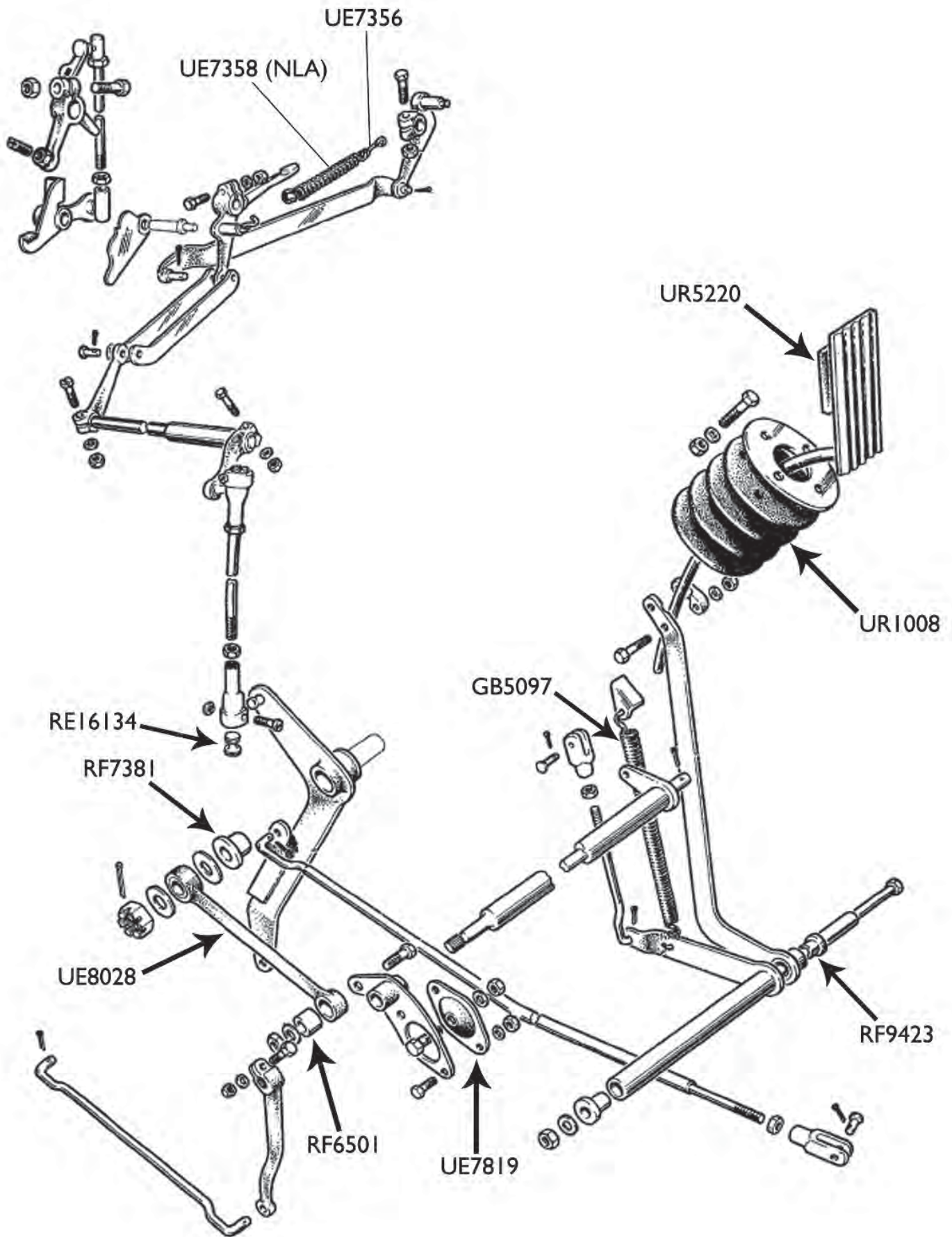


ALL DIAGRAMS REPRODUCED WITH KIND PERMISSION OF BENTLEY MOTORS LIMITED - COPYRIGHT OF BENTLEY MOTORS LIMITED

THROTTLE PEDAL & LINKAGE - RHD SERIES 2 & 3 MODELS

RUBBER PAD (Below throttle pedal)	UR5220
ACCELERATOR PEDAL SEAL	UR1008
PULL-OFF SPRING (Master cylinder & throttle pedal)	GB5097P
OILITE BUSH	RF9423
METALASTIK BUSH (Throttle control bracket)	UE7819
THROTTLE LEVER BUSH	RF6501
CONNECTING LINK & BUSH (Throttle linkage)	UE8028
OILITE BUSH ON EQUALISING BAR	RF7381
ADJUSTING SCREW (Throttle rod ball joint)	RE16134
LINK (Throttle control return spring)	UE7356

THROTTLE PEDAL & LINKAGE - RHD SERIES 2 & 3 MODELS



ALL DIAGRAMS REPRODUCED WITH KIND PERMISSION OF BENTLEY MOTORS LIMITED - COPYRIGHT OF BENTLEY MOTORS LIMITED

THROTTLE PEDAL & LINKAGE - LHD SERIES 2 MODELS

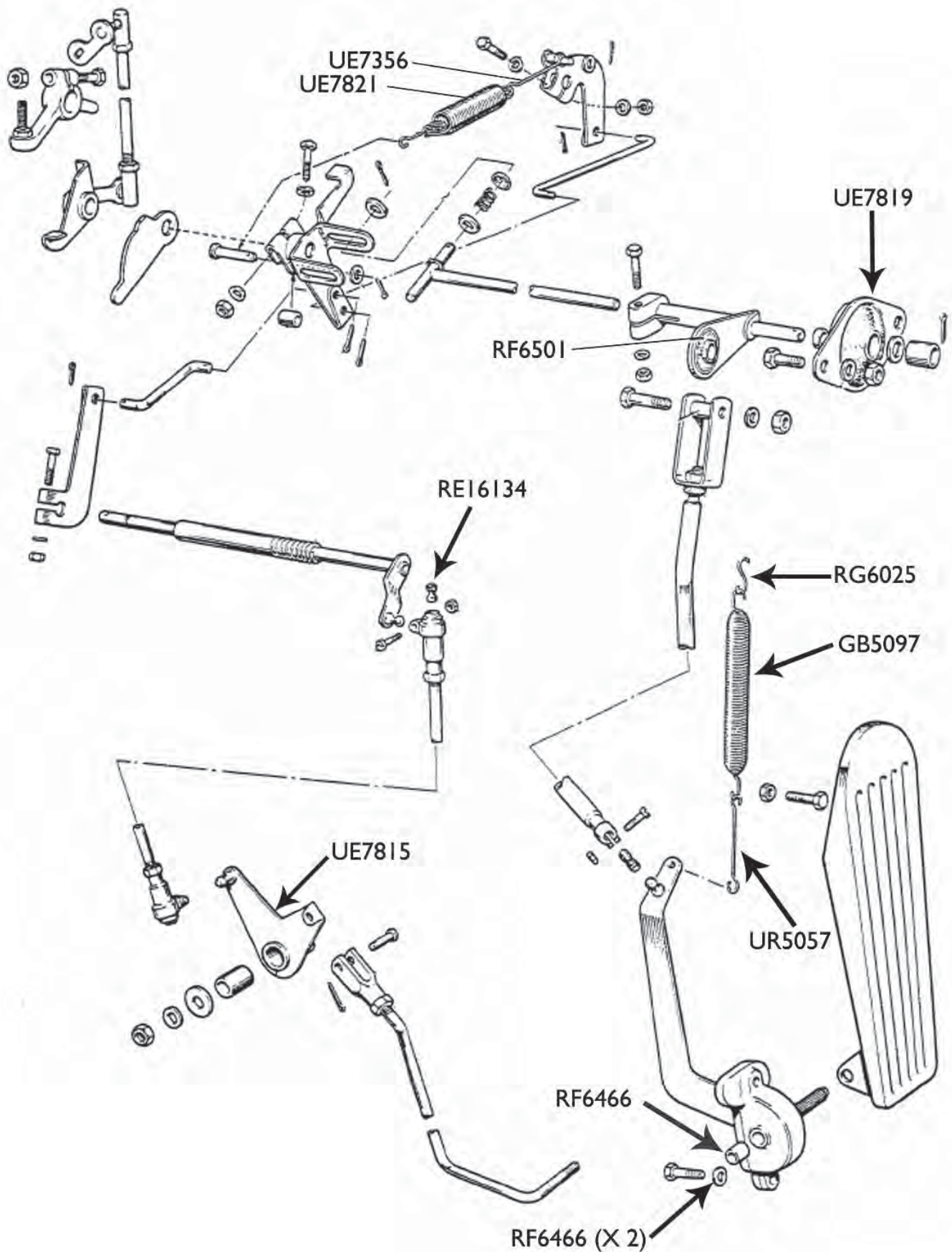
LHD EARLY SERIES 2 MODELS

PULL-OFF SPRING (Master cylinder & throttle pedal)	GB5097P
S LINK FOR EQUALISER ROD SPRING	RG6025P
BUSH (LHD throttle pedal pivot - 2 per pedal)	RF6466
ADJUSTING SCREW (Throttle rod ball joint)	RE16134
METALASTIK BUSH (Throttle control bracket)	UE7819
THROTTLE LEVER BUSH	RF6501
LINK (Throttle control return spring)	UE7356



THROTTLE PEDAL & LINKAGE - LHD SERIES 2 MODELS

LHD EARLY SERIES 2 MODELS



ALL DIAGRAMS REPRODUCED WITH KIND PERMISSION OF BENTLEY MOTORS LIMITED - COPYRIGHT OF BENTLEY MOTORS LIMITED

THROTTLE PEDAL & LINKAGE - LHD SERIES 2 & 3 MODELS

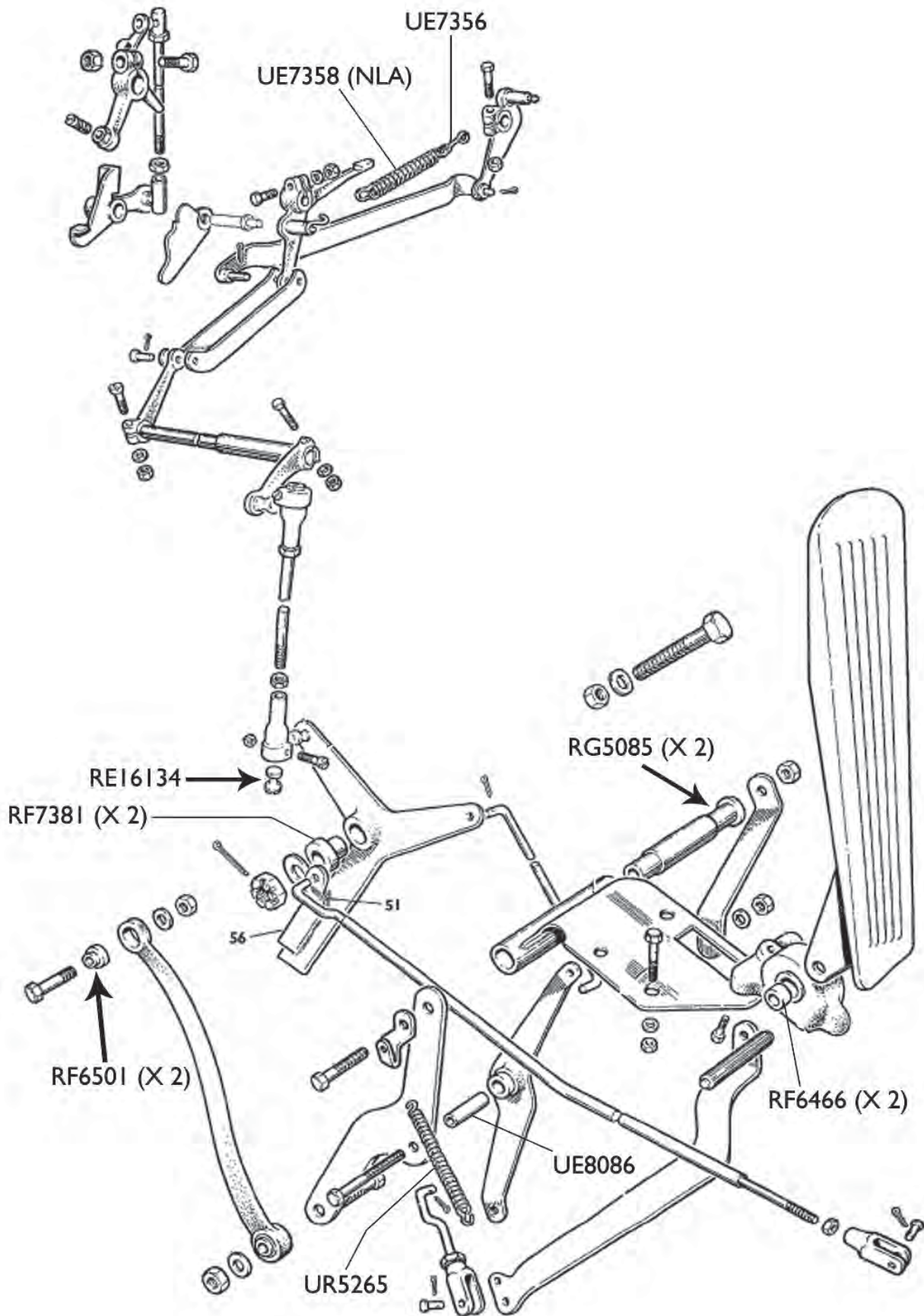
LHD LATE SERIES 2 & ALL SERIES 3 MODELS

BUSH (LHD throttle pedal pivot - 2 per pedal)	RF6466
RUBBER LINKAGE BUSH	RG5085
PULL-OFF SPRING (Throttle pedal - LHD cars)	UR5265
THROTTLE LEVER BUSH	RF6501
OILITE BUSH ON EQUALISING BAR	RF7381
ADJUSTING SCREW (Throttle rod ball joint)	RE16134
LINK (Throttle control return spring)	UE7356



THROTTLE PEDAL & LINKAGE - LHD SERIES 2 & 3 MODELS

LHD LATE SERIES 2 & ALL SERIES 3 MODELS



ALL DIAGRAMS REPRODUCED WITH KIND PERMISSION OF BENTLEY MOTORS LIMITED - COPYRIGHT OF BENTLEY MOTORS LIMITED

GEARBOX

RECONDITIONED GEARBOX

GEARBOX (Silver Cloud I & S1)	R6038SXR
GEARBOX (Silver Cloud II & III, S2 & S3)	UG4285SXR

GEARBOX MOUNTS

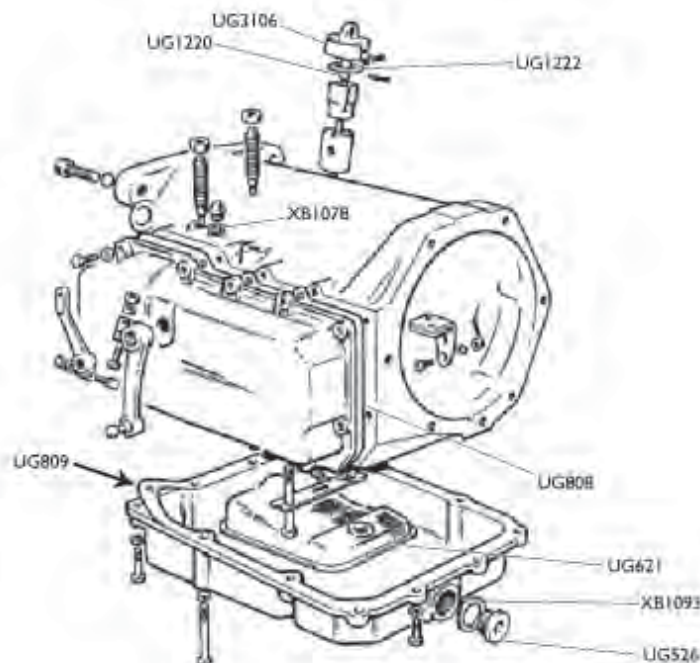
REAR UPPER GEARBOX MOUNT	UR2723
REAR LOWER GEARBOX MOUNT	UR2724

INTERNAL GASKETS & REBUILD KITS

GEARBOX MASTER OVERHAUL KIT	GBOXMASTERKITST
GEARBOX GASKET KIT	GMHYDE
FRONT PUMP SEAL	RH8535
FRONT PUMP GASKET	UG1322P
OIL SEAL (Selector & throttle shaft)	UG130P
SEAL (Throttle lever shaft)	UG141P

GEARBOX CASING & GASKETS

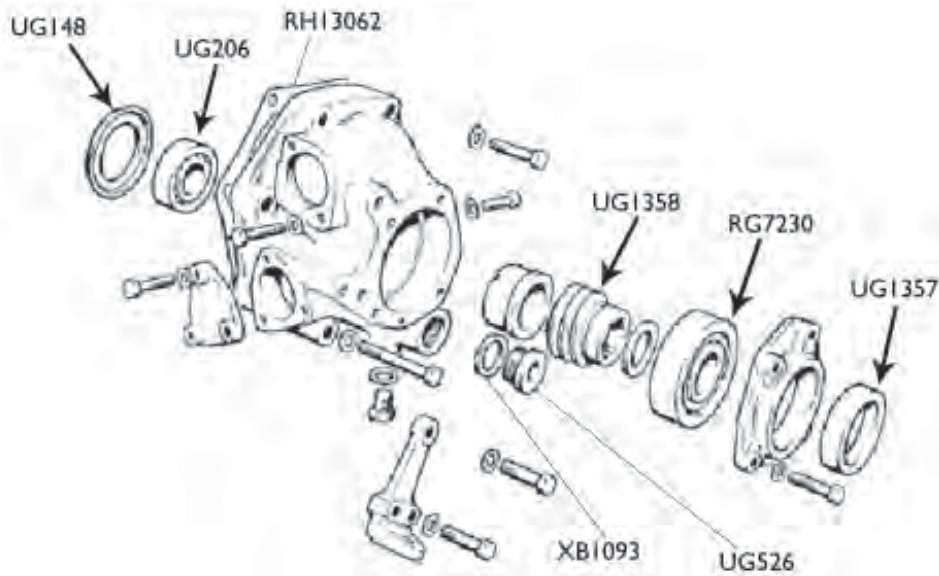
WATER EXCLUDER (Dipstick)	UG3106
SEALING WASHER, DIPSTICK	UG1222
SEALING WASHER	XB1078RP
GASKET, SIDE COVER	UG808P
GASKET, SUMP	UG809
FILTER	UG621U
SUMP PLUG	UG526
SUMP PLUG	UG526U
SUMP PLUG WASHER	XB1093RP



GEARBOX

REAR EXTENSION

INNER SEAL (Rear extension case)	UG148P
FRONT BEARING (Output shaft)	UG206
REAR EXTENSION GASKET	RH13062P
SUMP PLUG WASHER	XB1093RP
SUMP PLUG	UG526
SUMP PLUG	UG526U
REAR BEARING (Output shaft)	RG7230
OUTER SEAL (Rear extension case)	UG1357P

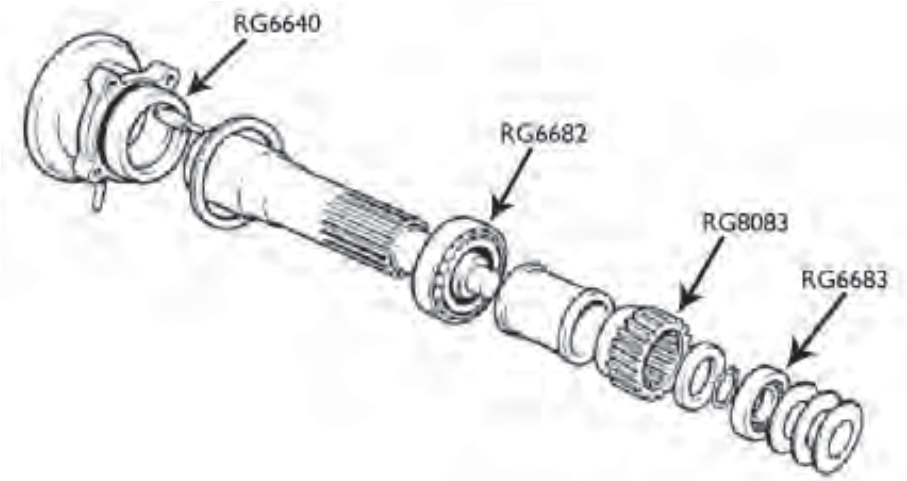


FRONT & REAR DRUMS

FRONT BAND	UG3451SXR
REAR BAND	RH12924SXR
NEEDLE ROLLER	UG614P

SERVO DRIVE

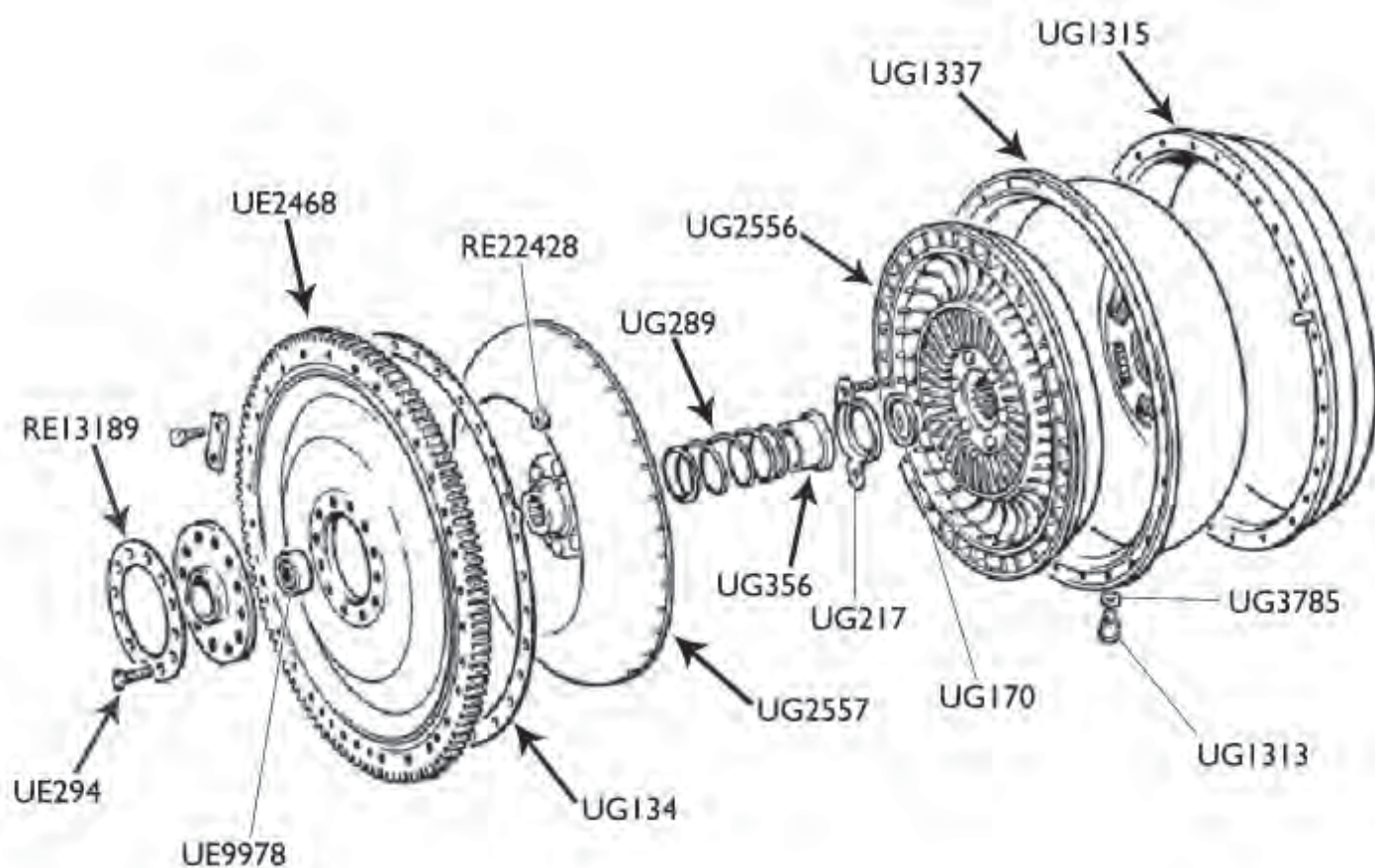
OIL SEAL (Servo to automatic gearbox)	RG6640P
SERVO DRIVE GEAR	RG8083



TORUS & FLYWHEEL - SERIES 1 MODELS

TORUS & RING GEAR - SERIES 1 WITH SOLID RING GEAR

CRANKSHAFT TO FLYWHEEL GASKET	RE13189
FLYWHEEL BEARING	UE9978
RING GEAR (Solid type with separate inertia ring)	UE2468P
RING GEAR (Solid type with separate inertia ring)	UE2468U
GASKET, BELL HOUSING TO ENGINE	UG134P
NUT	RE22428P
STARTER MOTOR RETAINING BRACKET (To bell housing)	RE18226P

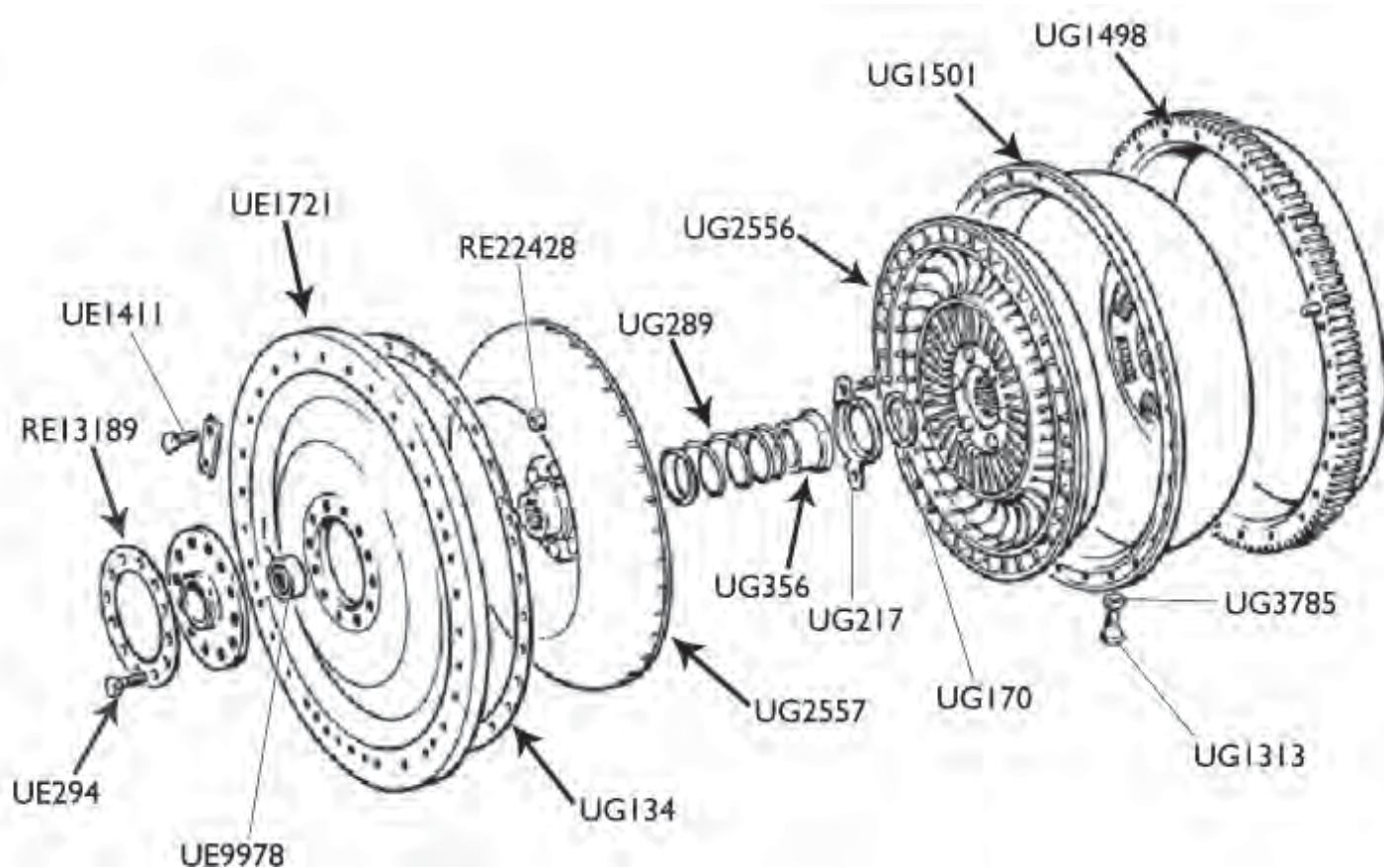


ALL DIAGRAMS REPRODUCED WITH KIND PERMISSION OF BENTLEY MOTORS LIMITED - COPYRIGHT OF BENTLEY MOTORS LIMITED

TORUS & FLYWHEEL - SERIES 1 MODELS

TORUS & RING GEAR - SERIES 1 WITH INTEGRATED RING GEAR & INERTIA RING

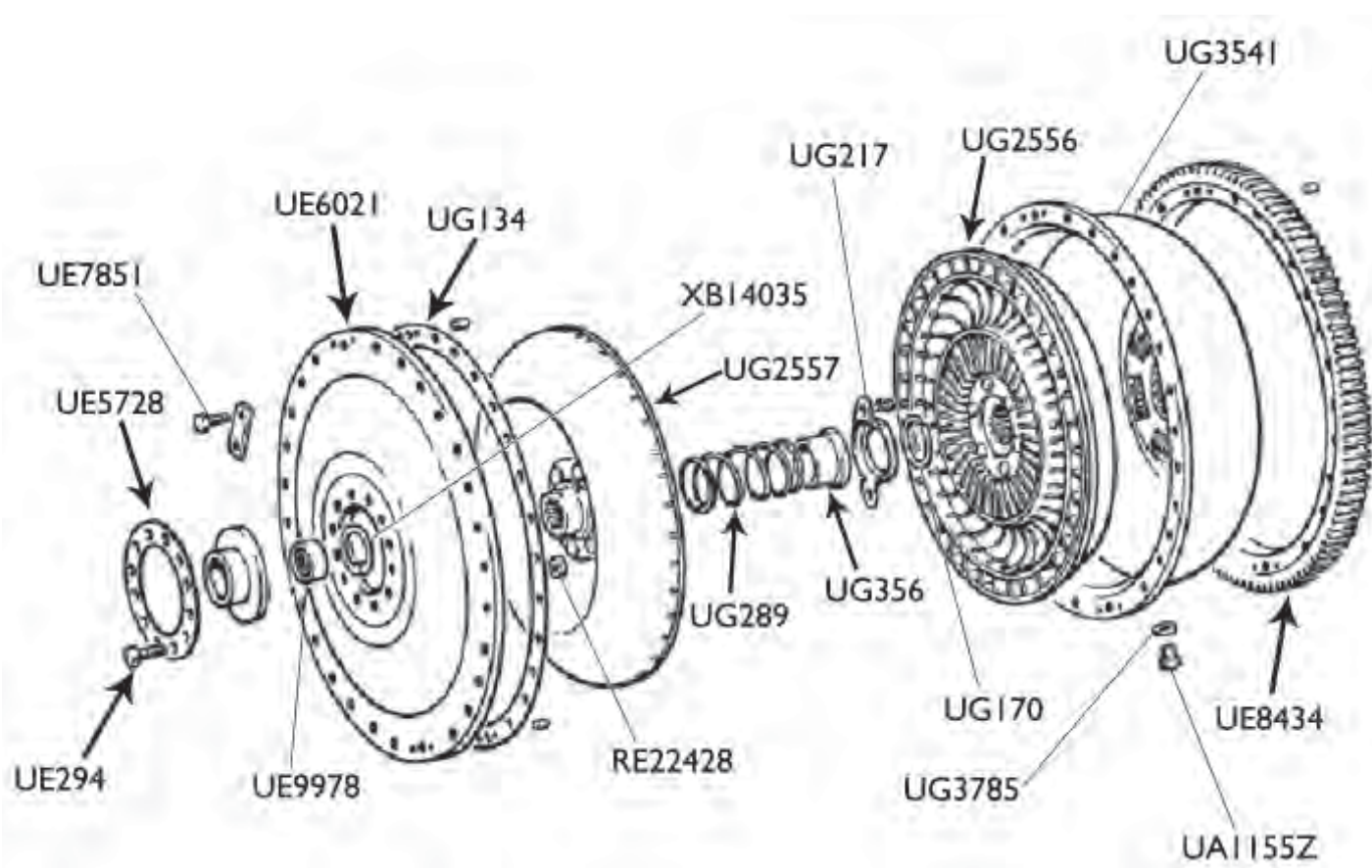
CRANKSHAFT TO FLYWHEEL GASKET	RE13189
FLYWHEEL BEARING	UE9978
GASKET, BELL HOUSING TO ENGINE	UG134P
NUT	RE22428P
TORUS COVER (Late Series 1 models with integral inertia ring gear)	UG1501
RING GEAR (Integrated inertia type)	UG1498
RING GEAR (Integrated inertia type)	UG1498U
STARTER MOTOR RETAINING BRACKET (To bell housing)	RE18226P



TORUS & FLYWHEEL - SERIES 2 & 3 MODELS

TORUS & RING GEAR - SERIES 2 & 3 MODELS

GASKET (Crankshaft to flywheel)	UE5728
FLYWHEEL BEARING	UE9978
GASKET, BELL HOUSING TO ENGINE	UG134P
NUT	RE22428P
TORUS COVER	UG3541SXR
RING GEAR	UE8434U



GEARBOX

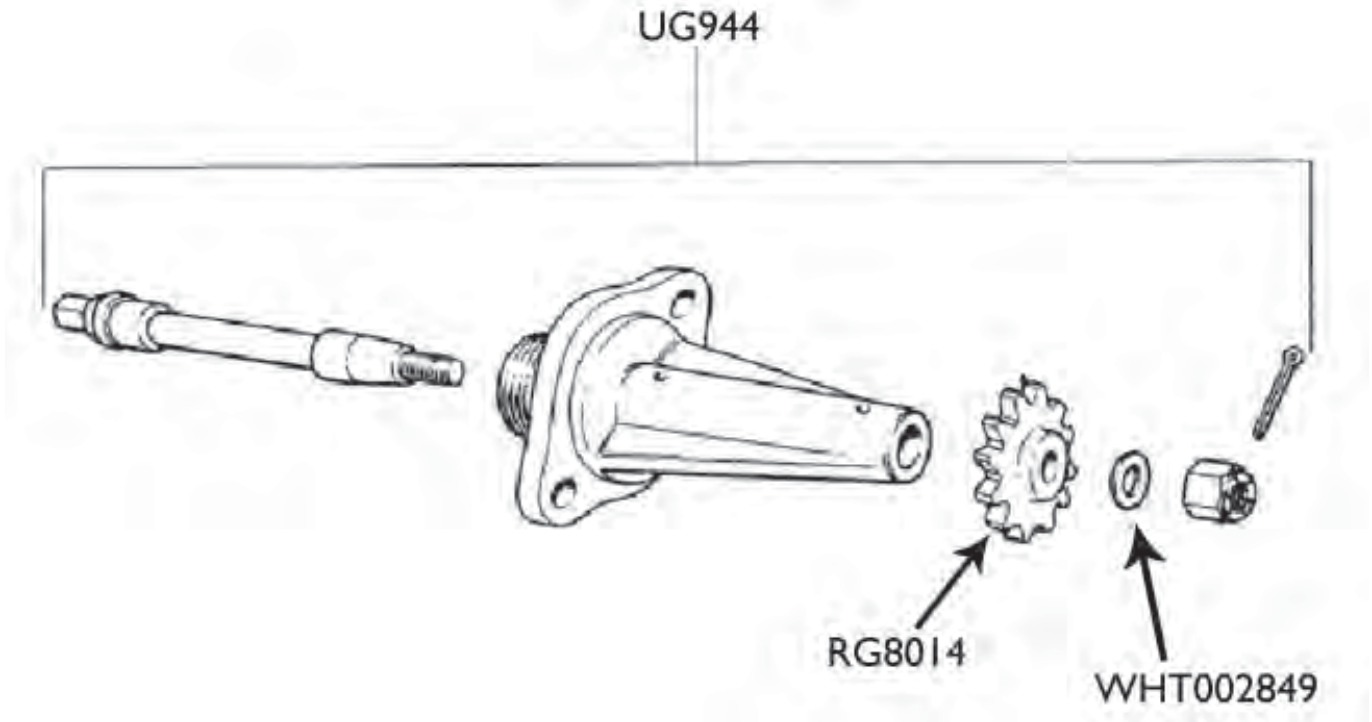
SPEEDO DRIVE

SPEEDO DRIVE GEAR

WASHER

RG8014

WHT002849P



GEAR CHANGE MECHANISM & LINKAGE - SERIES 1

GEAR KNOB

UR1548

RUBBER LINKAGE BUSH

RG5085

METALASTIK BUSH (Gear linkage fulcrum lever)

UE3993

THROTTLE LEVER BUSH

RF6501

DUST COVER (Gear linkage ball joint housing)

RG6768

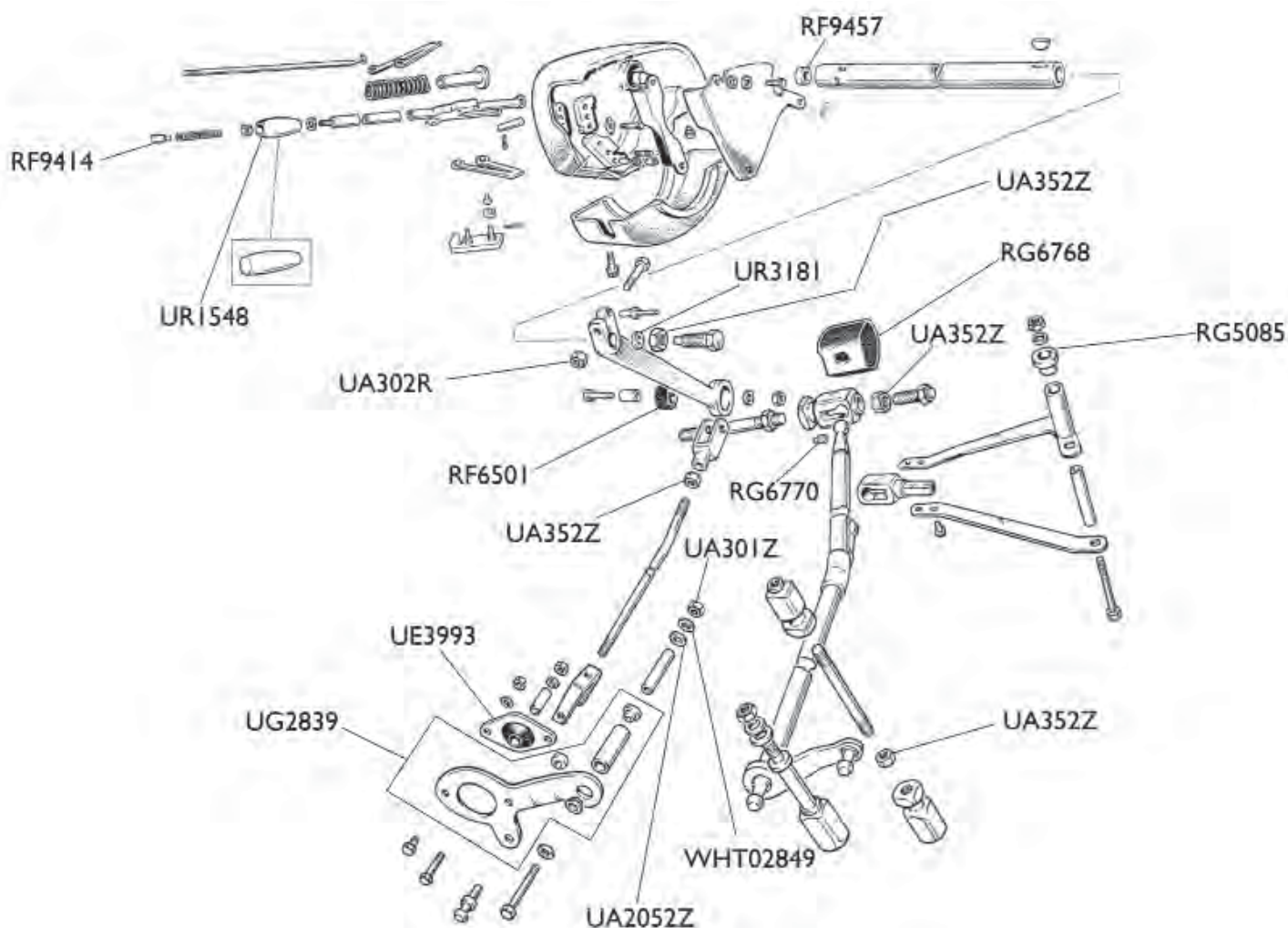
ADJUSTING SCREW (Throttle rod ball joint)

RE16134

GEAR CHANGE - RHD SERIES 2 & 3 MODELS

GEAR CHANGE MECHANISM & LINKAGE - RHD SERIES 2 & 3 MODELS

METALASTIK BUSH (Gear linkage fulcrum lever)	UE3993
DUST COVER (Gear linkage ball joint housing)	RG6768
RUBBER LINKAGE BUSH	RG5085
GEAR KNOB	UR1548
BEARING BUSH (Upper - Gear Change Operating Lever)	RF9457
BEARING BUSH (Lower - Gear Change Operating Lever)	UR3181
PIN (Gear linkage ball joint housing)	RG6770
THROTTLE LEVER BUSH	RF6501
THICK WASHER	UA2052Z
NUT	UA301ZP
WASHER	WHT002849P
HALF NUT	UA352ZP
NUT	UA302R

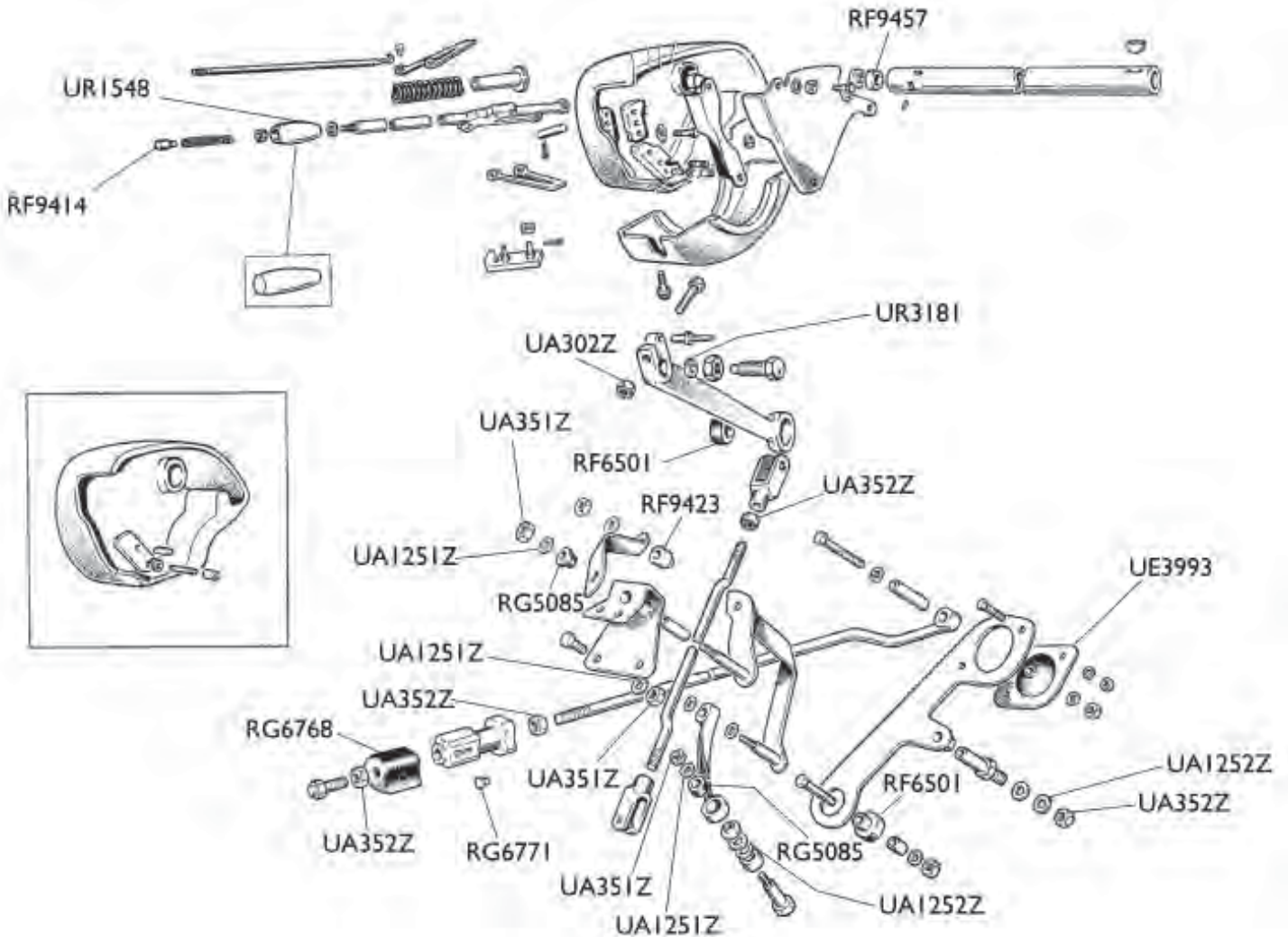


ALL DIAGRAMS REPRODUCED WITH KIND PERMISSION OF BENTLEY MOTORS LIMITED - COPYRIGHT OF BENTLEY MOTORS LIMITED

GEAR CHANGE - LHD SERIES 2 & 3 MODELS

GEAR CHANGE MECHANISM & LINKAGE - LHD SERIES 2 & 3 MODELS

RUBBER LINKAGE BUSH	RG5085
METALASTIK BUSH (Gear linkage fulcrum lever)	UE3993
DUST COVER (Gear linkage ball joint housing)	RG6768
THROTTLE LEVER BUSH	RF6501
OILITE BUSH	RF9423
GEAR KNOB	UR1548
BEARING BUSH (Upper - Gear Change Operating Lever)	RF9457
BEARING BUSH (Lower - Gear Change Operating Lever)	UR3181
PIN (Gear linkage ball joint housing)	RG6770
WASHER	WHT002849P
HALF NUT	UA352ZP
NUT	UA302R
WASHER	UA1252SR

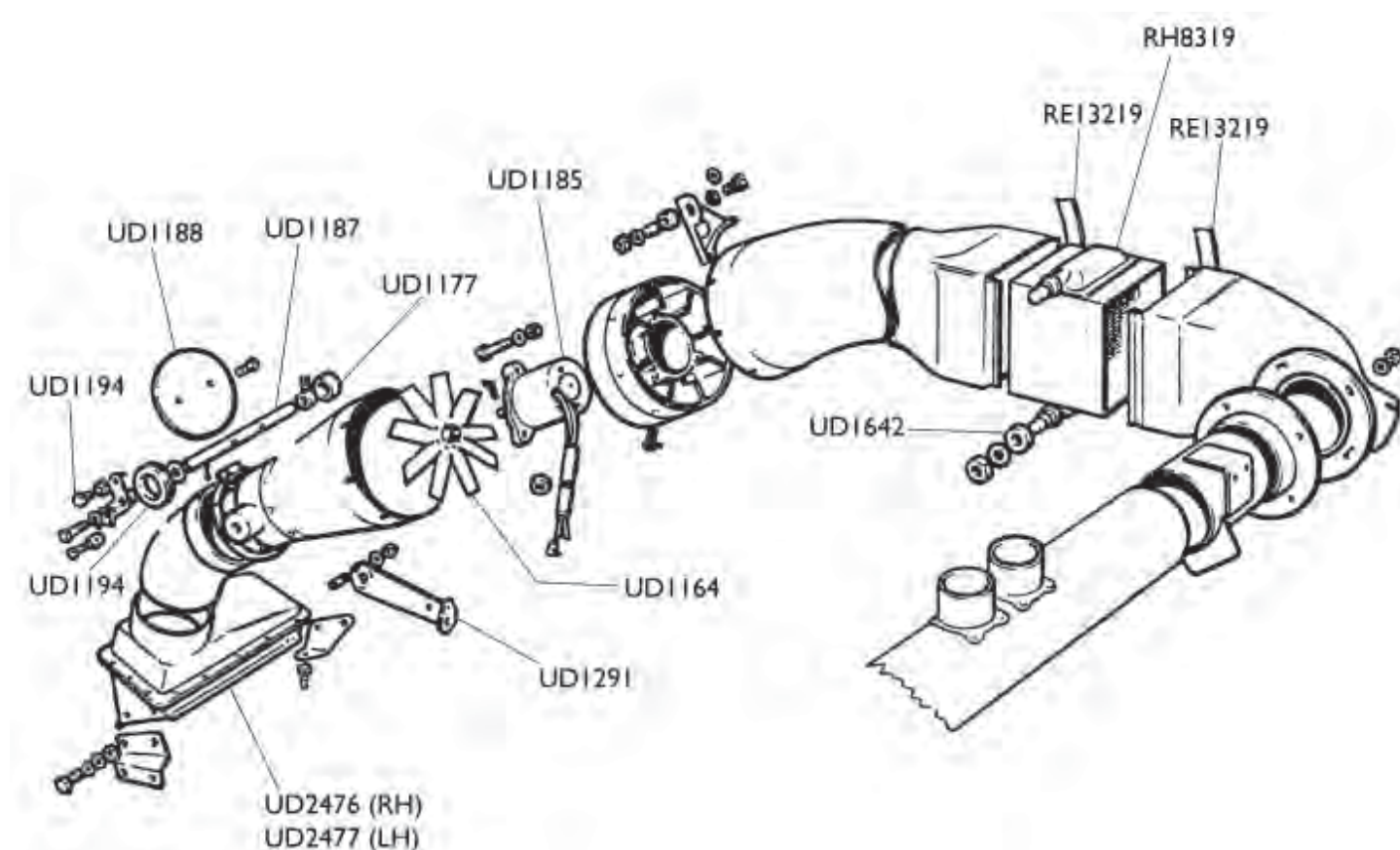


ALL DIAGRAMS REPRODUCED WITH KIND PERMISSION OF BENTLEY MOTORS LIMITED - COPYRIGHT OF BENTLEY MOTORS LIMITED

HEATER - SERIES 1 MODELS

MATRIX, MOTOR & DUCTING

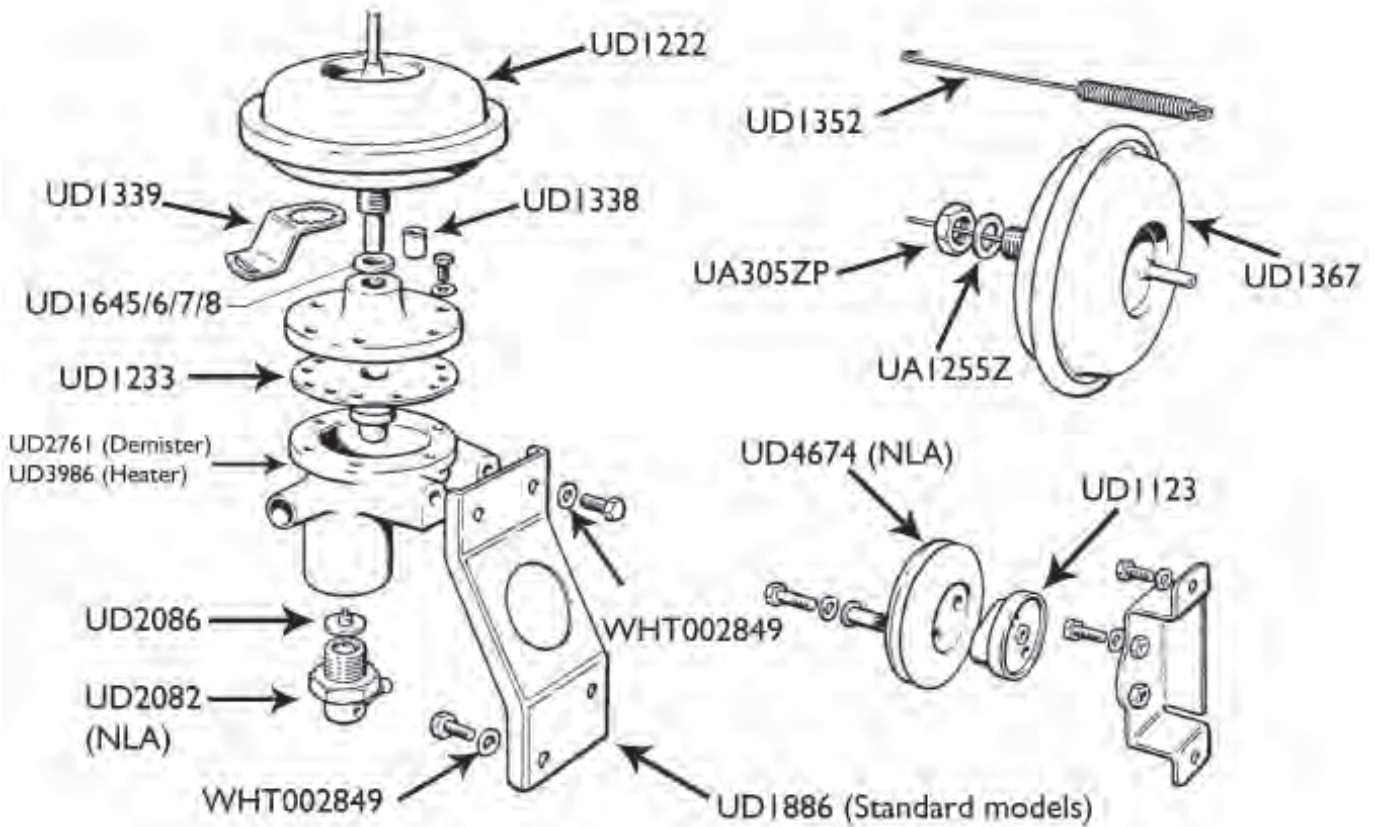
AIR INTAKE BEHIND RH FRONT WING (Series 1 & Coachbuilt Series 2 only)	UD2476P
AIR INTAKE BEHIND LH FRONT WING (Series 1 Models)	UD2477P
BUTTERFLY VALVE (Air intake)	UD1188
SPINDLE (Air intake butterfly valve)	UD1187
GROMMET (Air intake butterfly valve spindle)	UD1194
FAN FOR BLOWER MOTOR	UD1164U
BLOWER MOTOR	UD1185U
HEATER MATRIX (Single)	RH8319P
RUBBER GROMMET (For heater matrix RH8319P)	UD1642P
RUBBER BAND (Air silencer & heater matrix)	RE13219
HEATER TRUNKING (3.5")	UD5316



HEATER - SERIES 1 MODELS

HEATER & DEMISTER TAPS

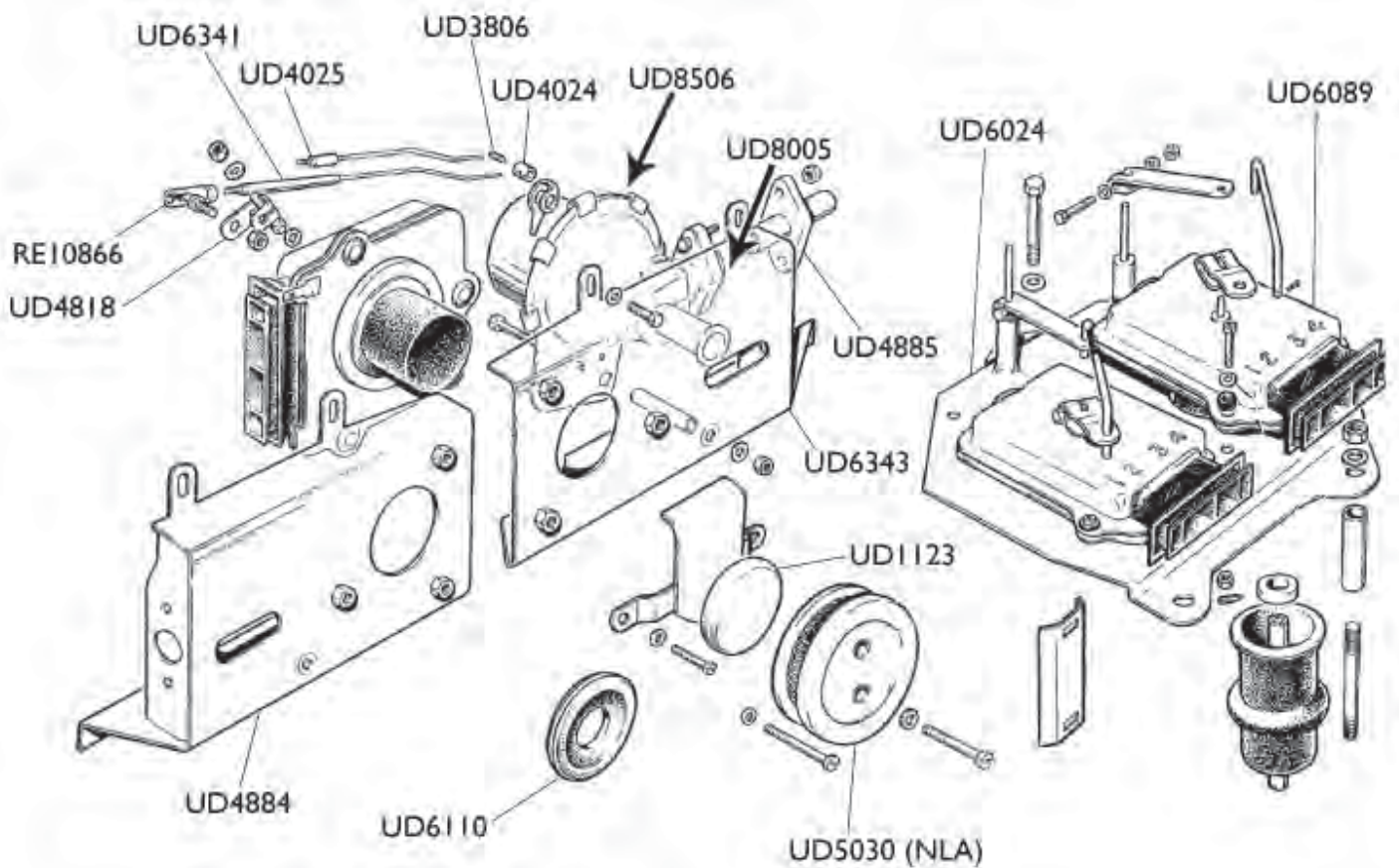
VACUUM UNIT (Flap valve)	UD1367P
SPRING (Flap valve vacuum unit)	UD1352
VACUUM UNIT (Heater & demister tap)	UD1222P
HEATER TAP DIAPHRAGM	UD1233P
BY-PASS VALVE (Heater & demister tap)	UD2086
HOSE (Heater & demister taps - 30" length)	RD5510
NUT (Plain - 0.500" diameter)	UA305ZP
WASHER PLAIN	UA1255Z
WASHER	WHT002849P



HEATER - SERIES 2 & 3 MODELS

WATER TAPS & ACTUATORS

HEATER TAP	UD8506P
HEATER TAP SEALING RING	UD8005
HEATER TAP ACTUATOR MOTOR (Original type)	UD6089SXR
HEATER TAP ACTUATOR MOTOR (Original type)	UD6089U
HEATER TAP ACTUATOR MOTOR RUBBER BOOT	UD6089BOOT
WATER TAP MOUNTING PLATE	UD6343
LINK & CONNECTING ROD (Water tap)	UD4025
ALLEN SCREW (Water tap link rod nipple)	UD3806
LINK (Water tap control)	UD6341
BALL JOINT (Water tap control)	RE10866
GROMMET (Air blower resistor)	UD6110
BASE (Resistor)	UD1123



ALL DIAGRAMS REPRODUCED WITH KIND PERMISSION OF BENTLEY MOTORS LIMITED - COPYRIGHT OF BENTLEY MOTORS LIMITED

HEATER - SERIES 2 & 3 MODELS

FRESH AIR DUCTING - LHF WING

FRESH AIR INTAKE ASSEMBLY (LH front wing)

UD5999

FILTER (Air intake)

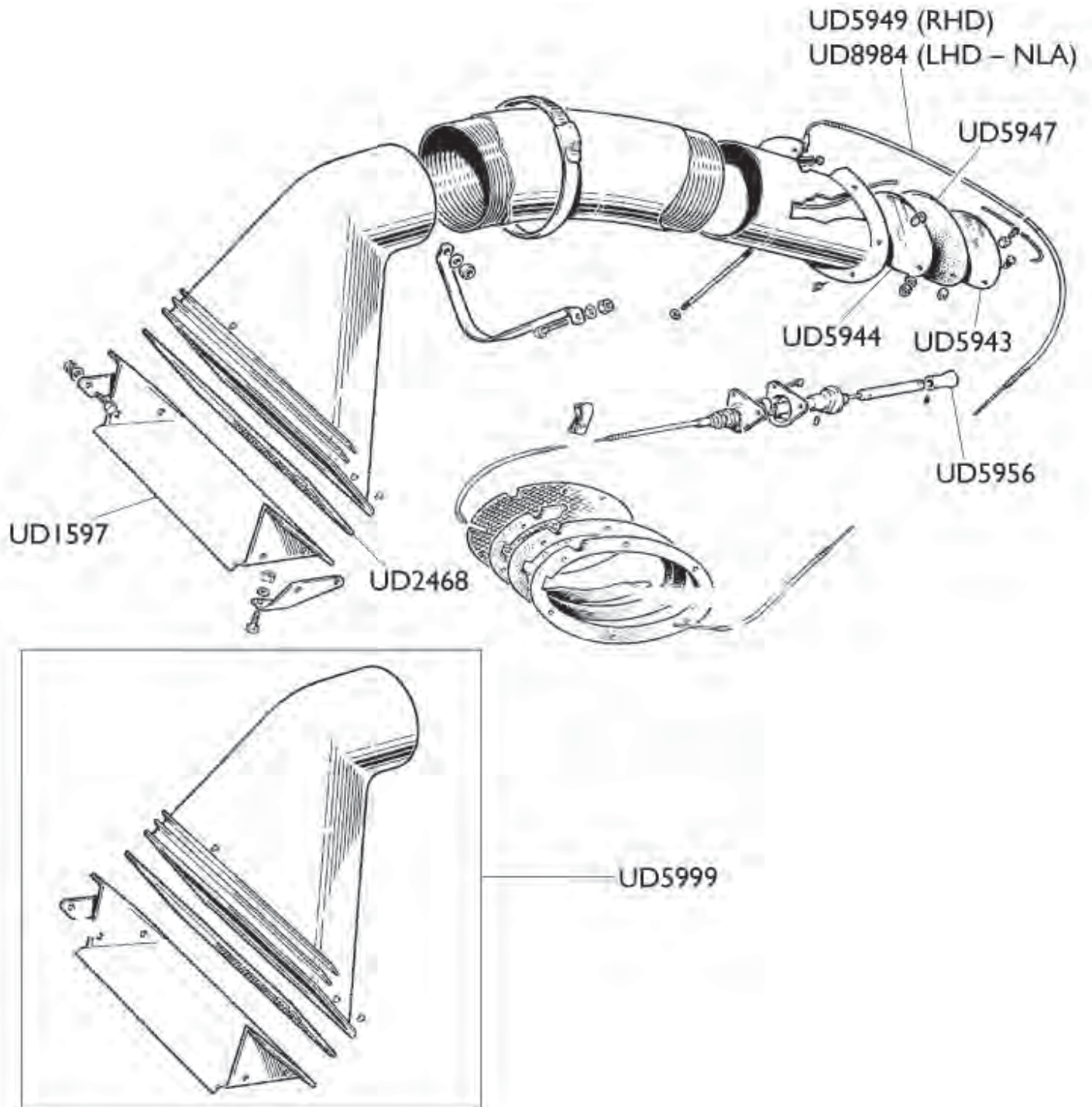
UD2468

CABLE (Fresh air intake flap - RHD cars)

UD5949

SEAL (Fresh air intake butterfly valve)

UD5947



MATRICES, MOTORS & DUCTING - SERIES 2 & 3 MODELS

RHF WING - EARLY SERIES 2 MODELS

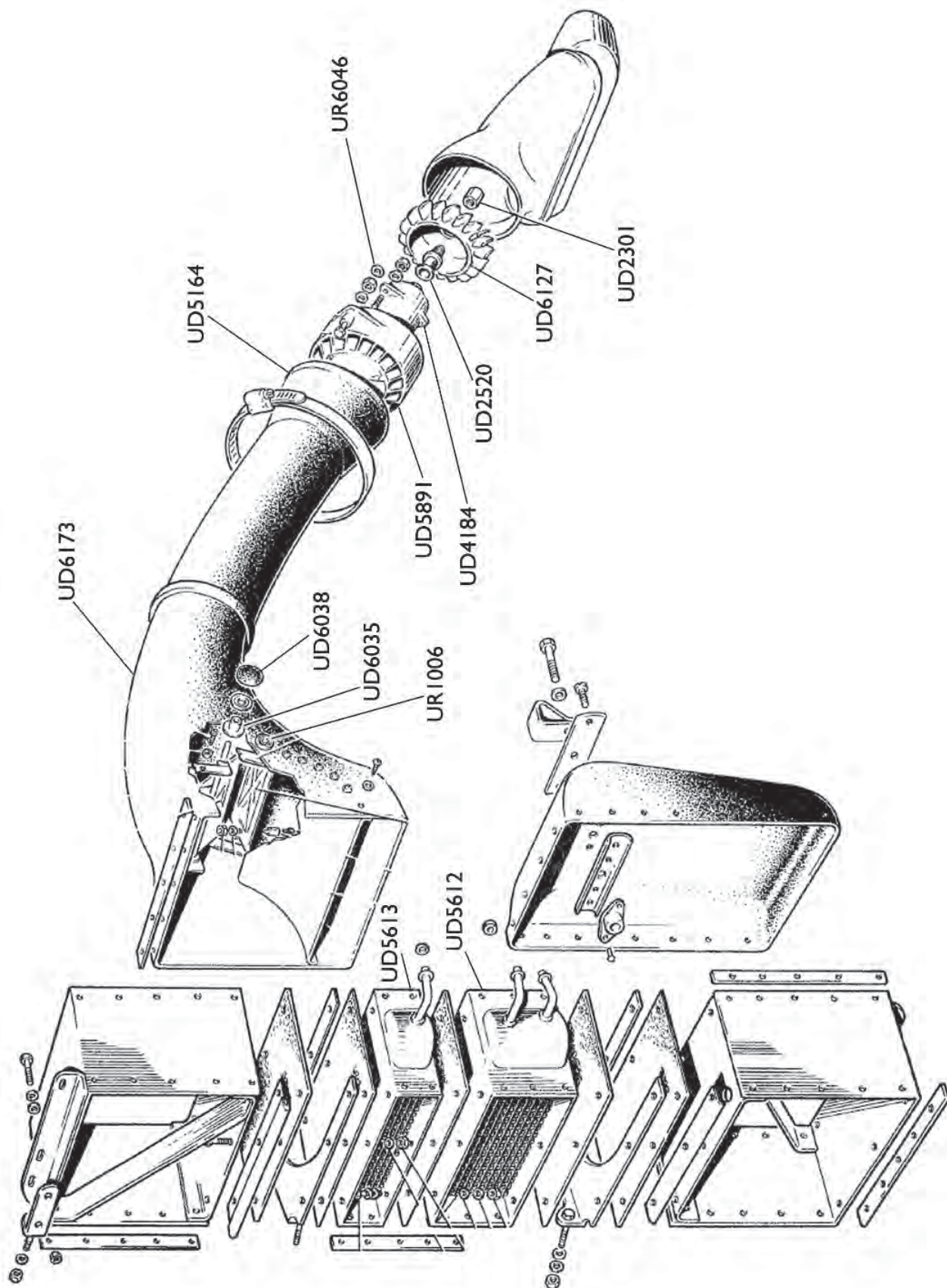
HEATER & DEMISTER MATRIX	UD4931P
BLOWER MOTOR	UD4184U
PLASTIC BLOWER MOTOR FAN	UD6127
HOUSING (Blower motor)	UD5894
BEARING (Heater flap spindle)	UD6035
INSERT (Blower motor fan)	UD2520
NUT (Blower motor fan)	UD2301
GROMMET	UR1006

RHF WING - LATE SERIES 2 & ALL SERIES 3 MODELS

UPPER HEATER MATRIX	UD5613
UPPER HEATER MATRIX	UD5613P
LOWER HEATER MATRIX	UD5612
LOWER HEATER MATRIX	UD5612P
GROMMET	UR1006
BEARING (Heater flap spindle)	UD6035
VENT ON DASHBOARD	UD5766U
BLOWER MOTOR	UD4184U
PLASTIC BLOWER MOTOR FAN	UD6127
NUT (Blower motor fan)	UD2301
INSERT (Blower motor fan)	UD2520
HOUSING (Blower motor)	UD5891

MATRICES, MOTORS & DUCTING - SERIES 2 & 3 MODELS

RHF WING - LATE SERIES 2 & ALL SERIES 3 MODELS



ALL DIAGRAMS REPRODUCED WITH KIND PERMISSION OF BENTLEY MOTORS LIMITED - COPYRIGHT OF BENTLEY MOTORS LIMITED

AIR CONDITIONING

RETRO FIT AIR CONDITIONING KIT

AIRCONKITST

YORK AIR CONDITIONING COMPRESSOR

UE30186SXR

AIR CONDITIONING RECEIVER

UD5790

AIR CONDITIONING DRIER

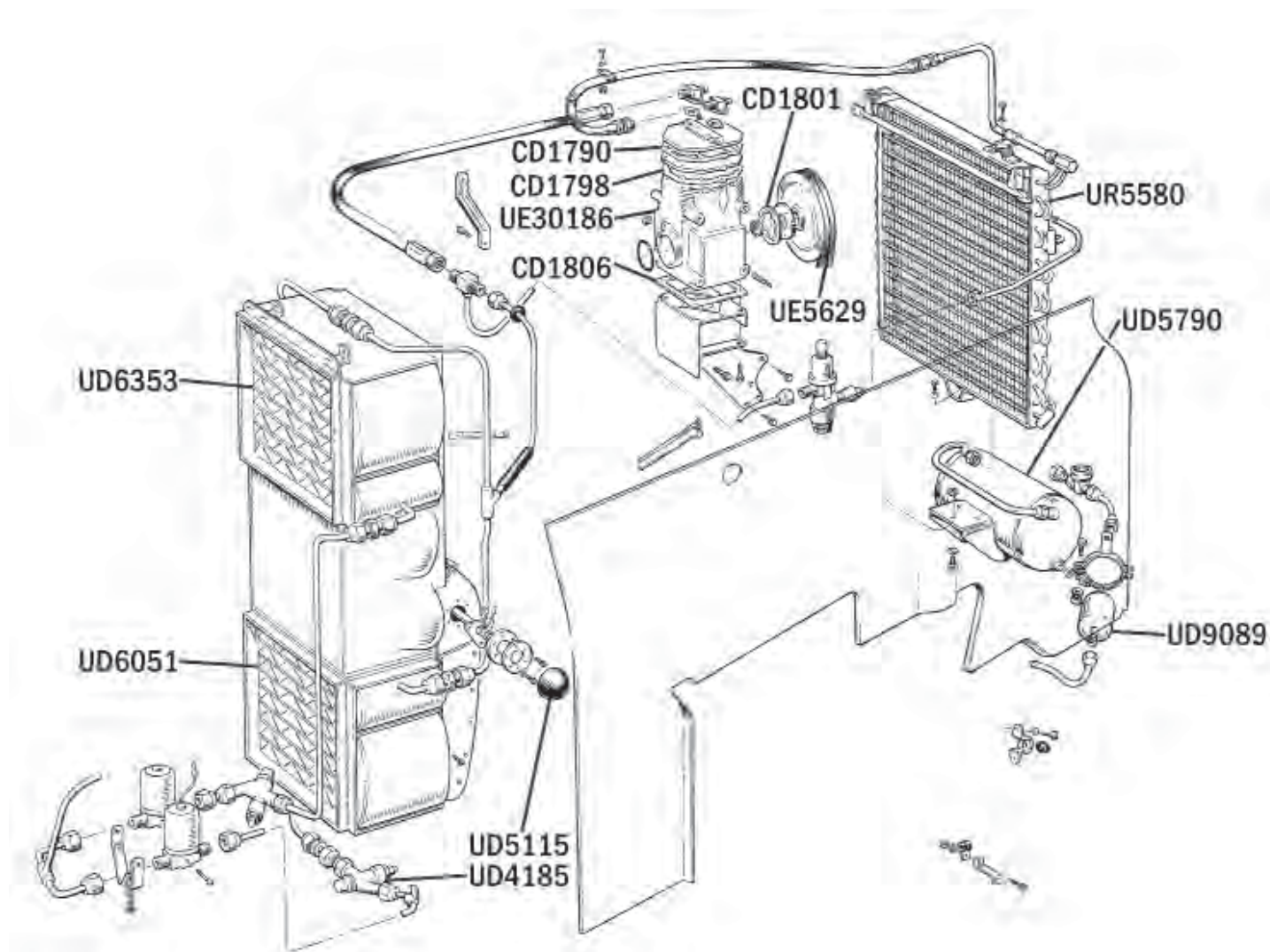
UD9089

AIR CONDITIONING DRIVE BELTS

UE5629

EXPANSION VALVE

UD4185



ALL DIAGRAMS REPRODUCED WITH KIND PERMISSION OF BENTLEY MOTORS LIMITED - COPYRIGHT OF BENTLEY MOTORS LIMITED

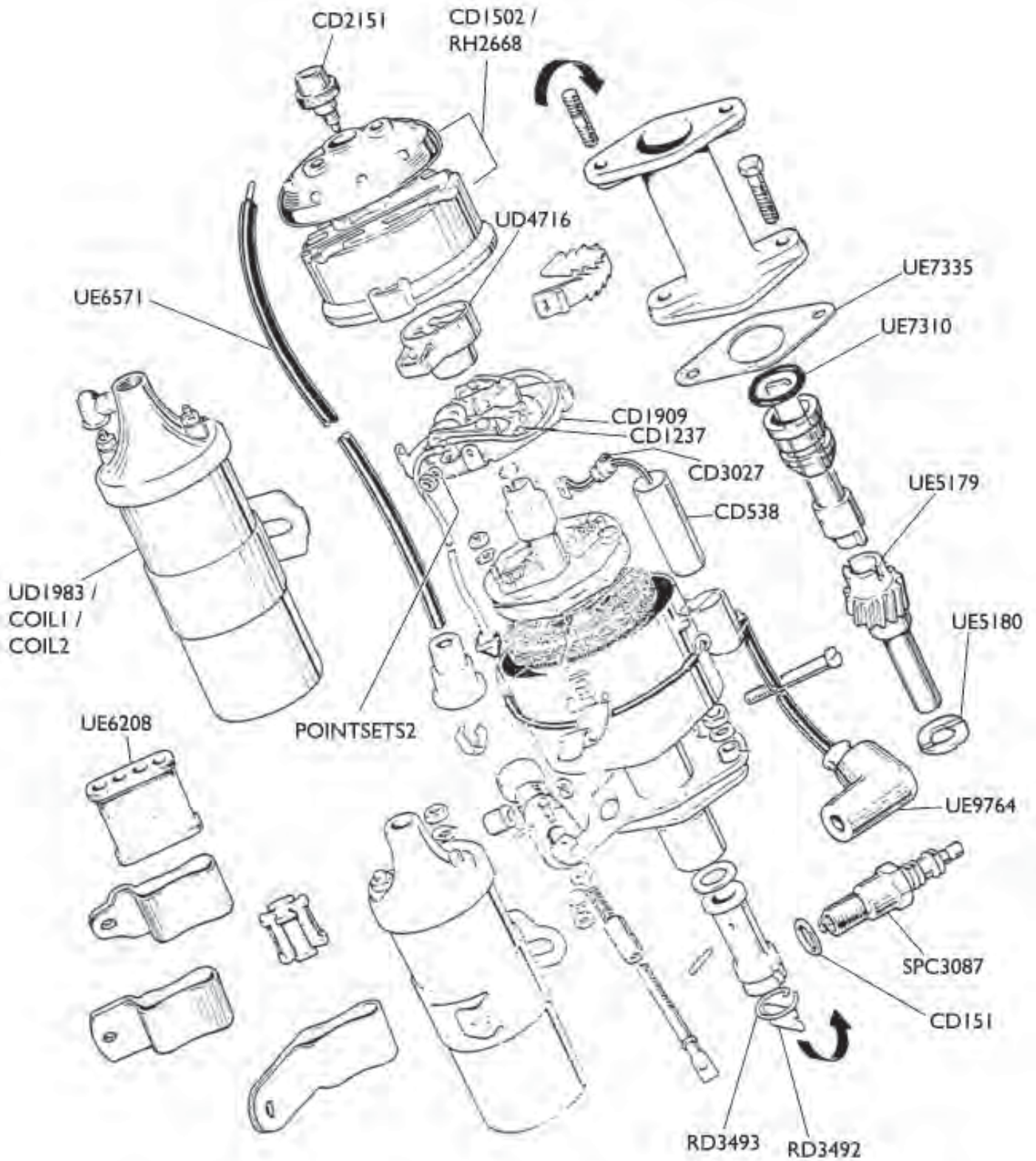
IGNITION - SERIES 1 MODELS

DISTRIBUTOR CAP	CD876PTP
ROTOR ARM (Original style)	RD8550P
ROTOR ARM (Modern replacement)	CD6915P
SET OF POINTS	POINTSET
POINTS SYNCHRONISING TOOL	STD410P
COIL (Original screw-in coil lead terminal)	UD10846AP
UPRATED COIL (Push-on coil lead terminal)	UD10846PP
COIL (Push-on coil lead terminal)	UD10846P
CONDENSER	CD369P
TWIN CONDENSER (Original style with bracket)	RD7774P
ELECTRONIC IGNITION CONVERSION KIT (Negative Earth)	ELEC1
MAGNECOR HT LEAD SET	HTLEADSETS1MAG
NGK SPARK PLUG	RE20608P
CHAMPION N5C SPARK PLUG	RE20608PC
DISTRIBUTOR	UD1368U
DISTRIBUTOR HOUSING TO CRANKCASE GASKET	EB4042

IGNITION - SERIES 2 MODELS

DISTRIBUTOR CAP	RH2668P
ROTOR ARM	UD4716P
POINTS SET	POINTSETS2
CONDENSER	CD538
COIL (Screw-in terminal)	UD1983P
UPRATED COIL (Silver with push-on coil lead terminal)	COIL1
UPRATED COIL (Black with push-on coil lead terminal)	COIL2
ELECTRONIC IGNITION CONVERSION KIT	ELEC2
HT LEAD SET (9 Leads with 10 Year Guarantee)	LEADSETS2MAG
NGK SPARK PLUG	SPC3087P
DISTRIBUTOR	UD4715SXU
DISTRIBUTOR PEDESTAL GASKET	UE7335P
RETAINING RING (Distributor driving plates)	RD3493
THRUST WASHER (Distributor drive pinion)	UE5180
DISTRIBUTOR CAP (Original side entry type)	CD1502P
HT LEAD SLEEVE	UE6208
HT LEAD (For side entry distributor cap)	UE9764
DISTRIBUTOR DRIVE PINION	UE5179
PLATE (Driving coupling)	RD3492
WASHER (Spark plug)	CD151
GROMMET (Condenser lead)	CD3027

IGNITION - SERIES 2 MODELS

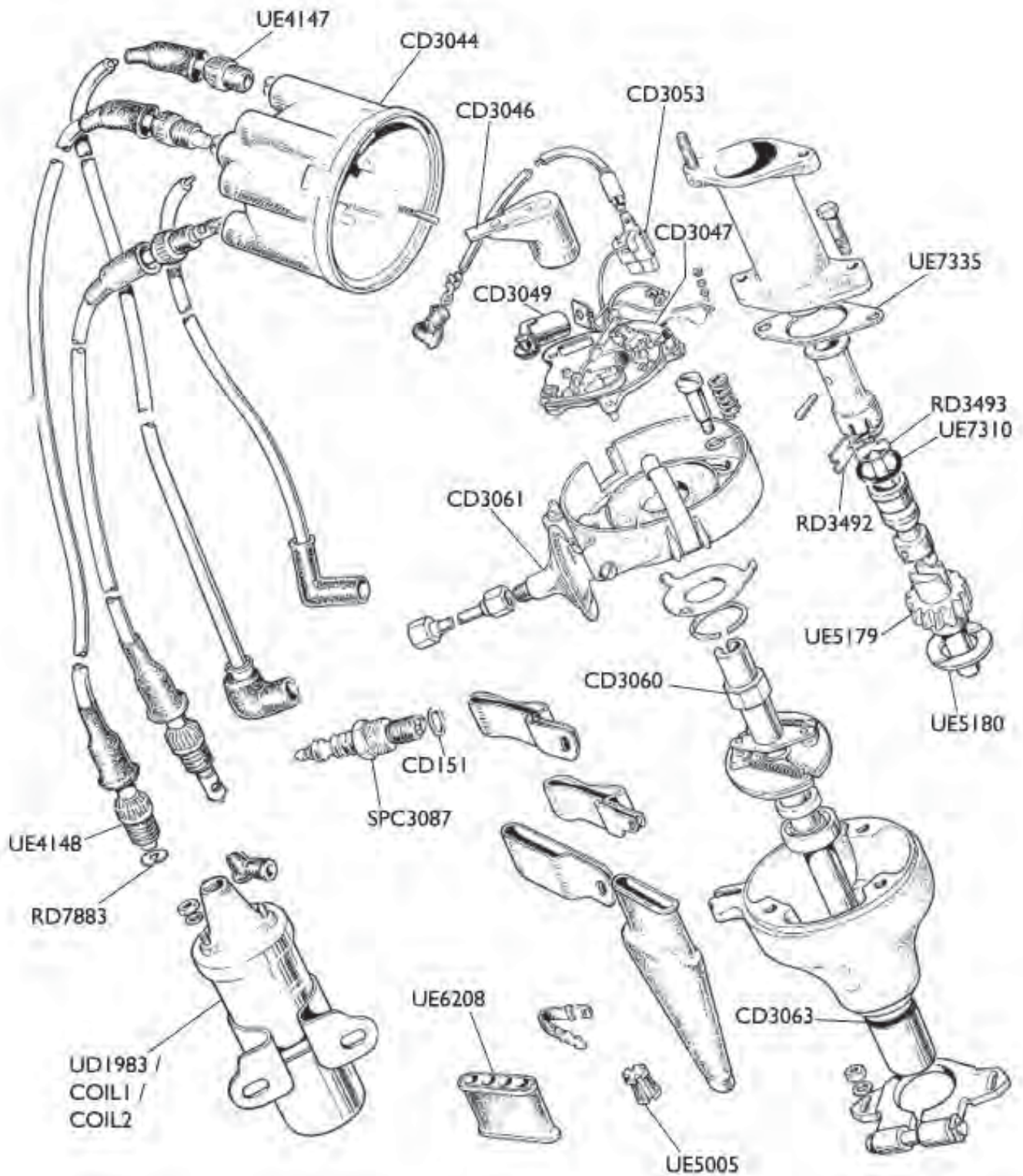


ALL DIAGRAMS REPRODUCED WITH KIND PERMISSION OF BENTLEY MOTORS LIMITED - COPYRIGHT OF BENTLEY MOTORS LIMITED

IGNITION - SERIES 3 MODELS

DISTRIBUTOR CAP	CD3044P
ROTOR ARM	CD3046P
TWIN POINTS (2 required per car)	CD3047P
CONDENSER	CD3049P
UPRATED COIL (Silver with push-on coil lead terminal)	COIL1
UPRATED COIL (Black with push-on coil lead terminal)	COIL2
COIL (Screw-in terminal)	UD1983P
HT LEAD SET (9 Leads with 10 Year Guarantee)	LEADSETS3MAG
ELECTRONIC IGNITION CONVERSION KIT	ELEC3
DISTRIBUTOR TO COIL LEAD (Two screw-in ends)	UE32391P
DISTRIBUTOR TO COIL LEAD (One screw-in & one push-on end)	UE32391BRP
NGK SPARK PLUG	SPC3087P
LUCAS 20D8 TWIN POINT DISTRIBUTOR	UD8583U
O RING (Distributor body to stem)	CD3063
RETAINING RING (Distributor driving plates)	RD3493
THRUST WASHER (Distributor drive pinion)	UE5180
DISTRIBUTOR PEDESTAL GASKET	UE7335P
O RING	UE7310P
VACUUM UNIT	CD3061P
LEAD (Between LT coil lead and condenser)	CD3091P
NYLON BLOCK (To accept LT coil lead - two per distributor)	CD3053P
THREADED TERMINAL SCREW (For coil lead)	UE4148
DISTRIBUTOR DRIVE PINION	UE5179
CAM	CD3060
SPLIT WASHER	RD7883
WASHER (Spark plug)	CD151
PLATE (Driving coupling)	RD3492
HT LEAD SLEEVE	UE6208

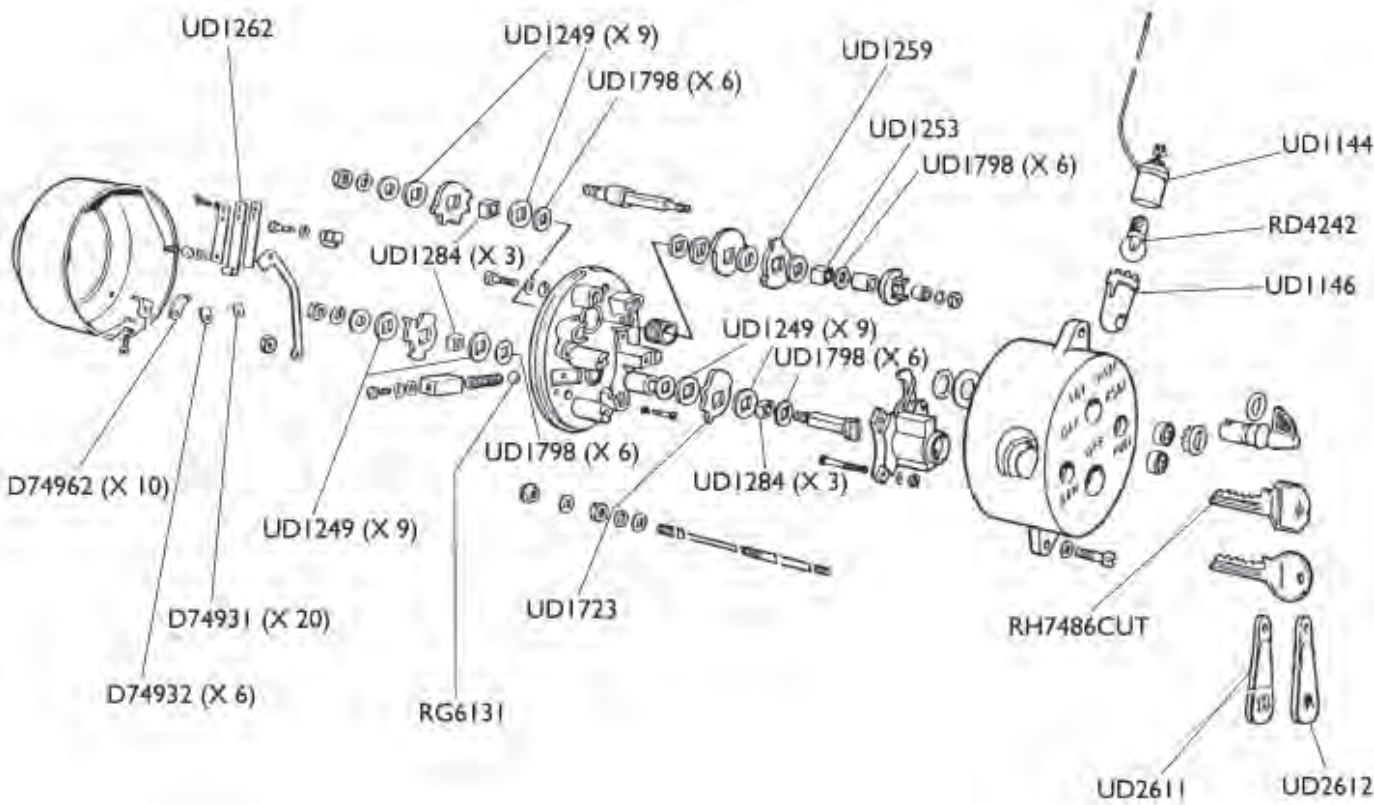
IGNITION - SERIES 3 MODELS



ALL DIAGRAMS REPRODUCED WITH KIND PERMISSION OF BENTLEY MOTORS LIMITED - COPYRIGHT OF BENTLEY MOTORS LIMITED

INSTRUMENTS - SERIES 1 MODELS

SWITCHBOX	
SWITCHBOX	UD1285U
MASTER KEY	RH7486CUTP
RR KEYFOB	UD2612
BULB (16V, 3W)	RD4242
BRUSH (Switchbox)	D74962
IGNITION CAM (Switchbox)	UD1723
INSULATING WASHER (Switchbox)	UD1249
LIGHT SHIELD (Switchbox)	UD1146
BULB HOLDER (Switchbox)	UD1144
INSULATING BUSH (Lighting spindle)	UD1253
INSULATING BUSH	UD1284
CONTACT SPRING (Starter)	UD1262
BALL BEARING	RG6131



INSTRUMENTS - SERIES 1 MODELS

SPEEDOMETER & CABLE

SPEEDO (RR)	UD1560U
SPEEDO (Bentley)	UD1559SXU
SPEEDO CABLE	UD9053U

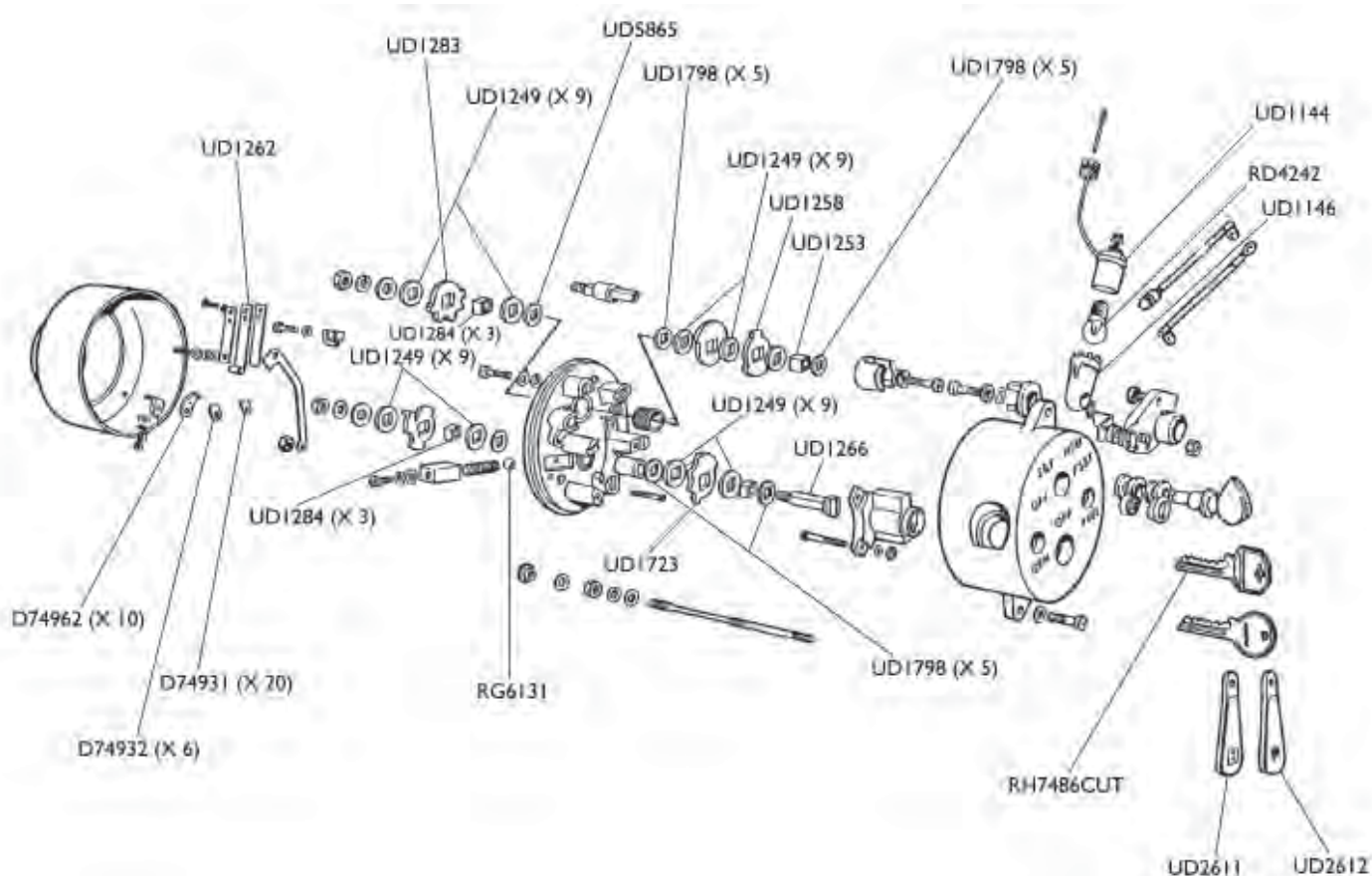
CLOCK & GAUGES

5 IN 1 GAUGE (RR)	UD1545U
5 IN 1 GAUGE (Bentley)	UD1294U
CLOCK	UD1355SXR
CLOCK	UD1355U
FUEL/OIL GAUGE	UD1356U
AMMETER	UD1358U
OIL PRESSURE GAUGE	UD1359
SENDER (Oil pressure gauge)	UD11663
SENDER (Oil pressure gauge)	RD7894U
COOLANT TEMPERATURE GAUGE & SENDER (Early Series 1 models)	UD1357SXR
COOLANT TEMPERATURE GAUGE (Early Series 1 models)	UD1357U
COOLANT TEMPERATURE SENDER (Early Series 1 models - recalibration of gauge required)	UE40361S1P
COOLANT TEMPERATURE GAUGE (Late Series 1 models)	UD3016SXU
COOLANT TEMPERATURE SENDER (Late Series 1 models onwards)	UD3012P

INSTRUMENTS - SERIES 2 & 3 MODELS

SWITCHBOX

SWITCHBOX (Early Series 2 models)	UD1285U
SWITCHBOX (Late Series 2 & All Series 3 models)	UD5871SASXU
MASTER KEY	RH7486CUTP
RR KEYFOB	UD2612
BULB (16V, 3W)	RD4242
BULB HOLDER (Switchbox)	UD1144
LIGHT SHIELD (Switchbox)	UD1146
BRUSH (Switchbox)	D74962
IGNITION CAM (Switchbox)	UD1723
INSULATING WASHER (Switchbox)	UD1249
INSULATING BUSH (Lighting spindle)	UD1253
INSULATING BUSH	UD1284
CONTACT SPRING (Starter)	UD1262
BALL BEARING	RG6131



ALL DIAGRAMS REPRODUCED WITH KIND PERMISSION OF BENTLEY MOTORS LIMITED - COPYRIGHT OF BENTLEY MOTORS LIMITED

INSTRUMENTS - SERIES 2 & 3 MODELS

SPEEDOMETER & CABLE

SPEEDOMETER (Early Silver Cloud II)	UD4744SXR
SPEEDOMETER (Early Bentley S2)	UD4741SXU
SPEEDO CABLE (Early Series 2 models)	UD2563U
INNER SPEEDO CABLE (Early Series 2 models)	UD2565
SPEEDOMETER (Late RR Silver Cloud II & Early Cloud III)	UD5808SXU
SPEEDOMETER (Late Bentley S2 & Early S3)	UD5805SXU
SPEEDOMETER (Late RR Silver Cloud III)	UD8759
SPEEDOMETER (Late S3)	UD8760SXU
SPEEDO CABLE (Late Series 3 models)	UD8790
DASH BULB (12V 2.4W)	RD4243
BULB (12V 3.6W)	UD5500

CLOCKS

SMITHS CLOCK (RR)	UD5819SXR
SMITHS CLOCK (Bentley)	UD5818SXR

GAUGES

4 IN 1 GAUGE RR	UD5820U
4 IN 1 GAUGE BENTLEY	UD5821U
AMMETER (Exchange)	UD4566
FUEL/OIL LEVEL GAUGE	UD5284U
OIL PRESSURE GAUGE	UD4994U
SENDER (Oil pressure gauge)	UD11663
WATER TEMP GAUGE	UD5035U
COOLANT TEMPERATURE SENDER	UD3012P
BULB (12V 3.6W)	UD5500
DASH BULB (12V 2.4W)	RD4243

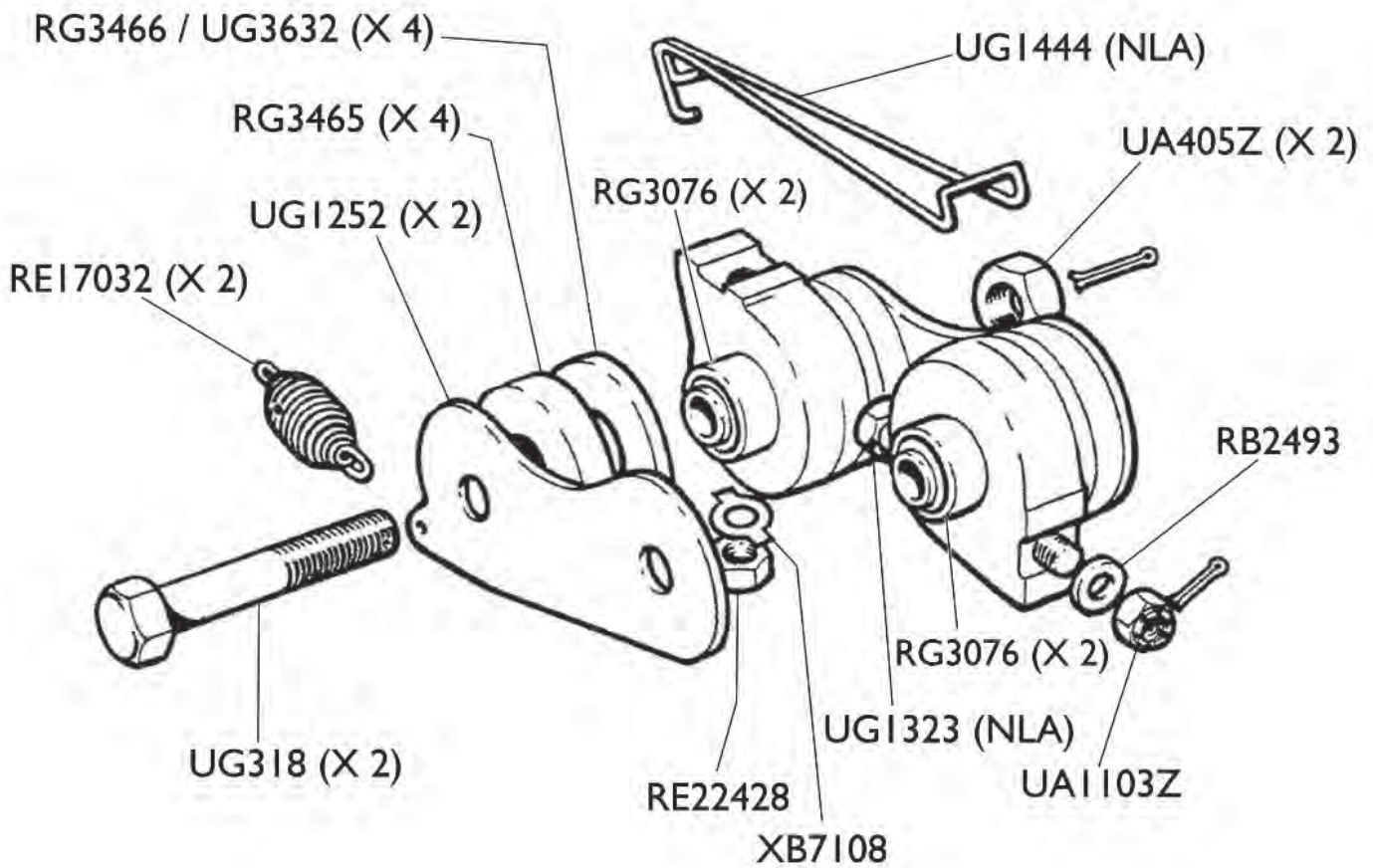
ONE SHOT CHASSIS LUBRICATION

Please see our website for information from the Workshop Manual regarding the chassis lubrication system.

ONE SHOT OIL LUBRICATION PUMP	UR886SXR
ONE SHOT OIL LUBRICATION PUMP	UR886U
ONE-SHOT PUMP FELT SEAL	R3992
SEAL, PUMP TO BULKHEAD	RF3536P
WASHER	RF3274
LEATHER SEAL (One shot chassis lubrication pump)	R3962P
FRONT YOKE LUBRICATION HOSE	UR968P
CHASSIS LUBRICATION METER VALVE (Straight)	UR2265
CHASSIS LUBRICATION METER VALVE (Straight)	UR2264
COMPRESSION SLEEVE	RF6783
CHASSIS LUBRICATION THREADED BUSH	UR2541

PROPSHAFT - CENTRE BEARING SUPPORT

RUBBER COMPRESSION DISC (Propshaft centre bearing support - 4 per car)	RG3465
FRICTION DISC (Propshaft centre bearing support - 4 per car - Series 1 models)	RG3466P
FRICTION DISC (Propshaft centre bearing support - 4 per car - Series 2 & 3 models)	UG3632
SPRING	RE17032P
SILENTBLOC BUSH	RG3076
LOCKTAB (0.375")	XB7108P
NUT	RE22428P
CONNECTING PLATE (Propshaft centre bearing support)	UG1252

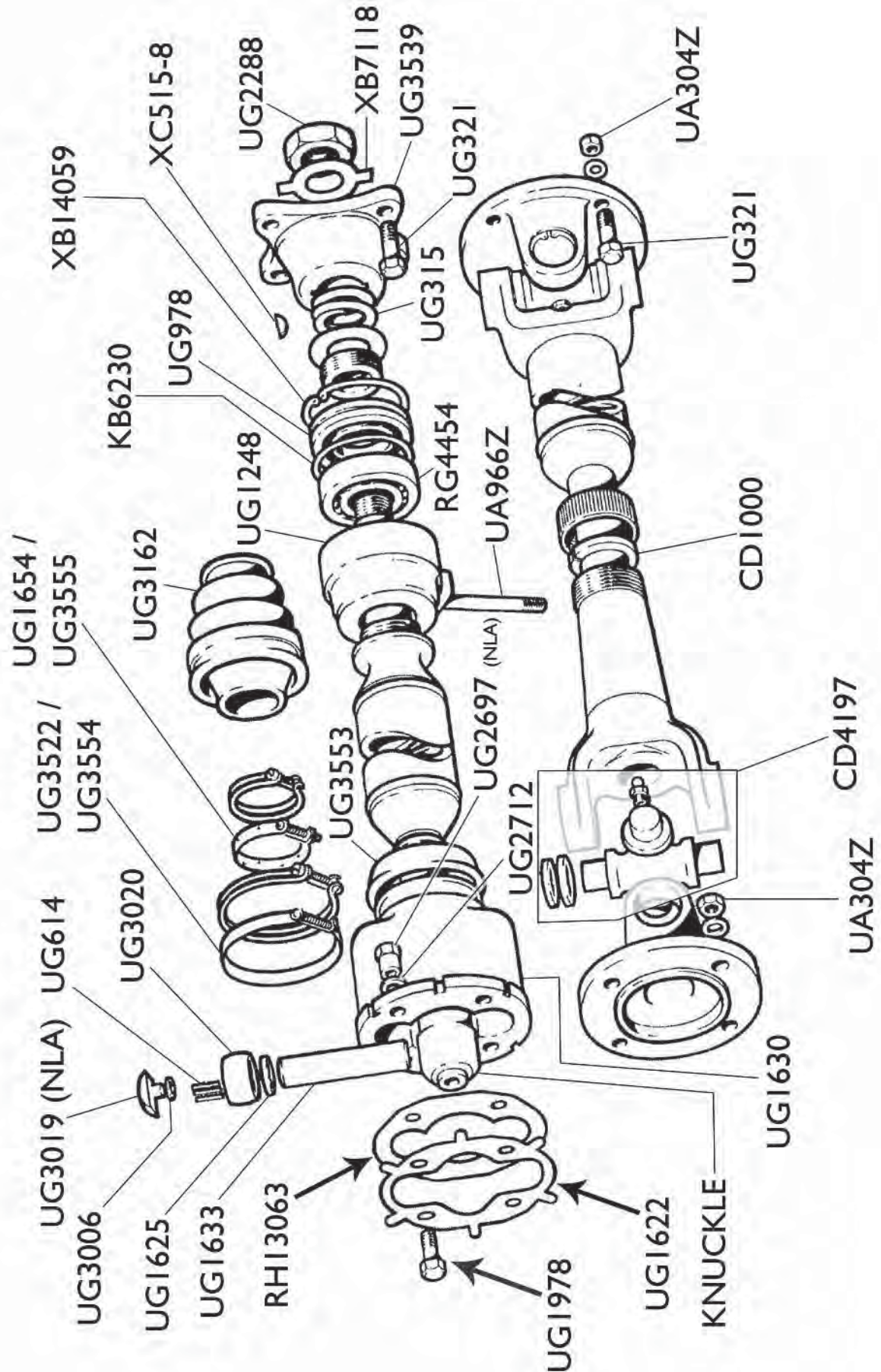


ALL DIAGRAMS REPRODUCED WITH KIND PERMISSION OF BENTLEY MOTORS LIMITED - COPYRIGHT OF BENTLEY MOTORS LIMITED

PROPSHAFT - SERIES 1 MODELS

PROPSHAFT ASSEMBLY (SWB Series 1 models)	UG3558
PROPSHAFT UNIVERSAL JOINT	CD4197P
BOLT (Propshaft to differential)	UG1978
END COVER GASKET (Propshaft trunnion)	RH13063
END COVER (Propshaft trunnion)	UG1622
PROPSHAFT FRONT TRUNNION BODY	UG1630
PROPSHAFT FRONT TRUNNION PIN	UG1633
THRUST WASHER (Prop trunnion pin)	UG1625
OUTER RACE (Prop trunnion pin)	UG3020
NEEDLE ROLLER	UG614P
SHIM WASHER (0.012")	UG3006
TRUNNION RUBBER BOOT (Early Series 1 models only)	UG3162
LARGE TRUNNION RUBBER BOOT CLIP (Early Series 1 models)	UG3522
SMALL TRUNNION RUBBER BOOT CLIP (Early Series 1 models)	UG1654
TRUNNION RUBBER BOOT (Later Series 1 models)	UG3553
LARGE CLIP (For trunion boot)	UG3554
SMALL CLIP (For trunion boot)	UG3555
PROPSHAFT CENTRE BEARING	RG4454P
SEALING RING (Prop centre bearing)	KB6230
RETAINER (Prop bearing seal)	UG978
CIRCLIP (Prop centre bearing)	XB14059
PROPSHAFT COUPLING FLANGE	UG3539
WOODRUFF KEY (0.188")	XC516R
LOCKTAB	XB7118
NUT (Propshaft flange)	UG2288
NUT	UA304ZP

PROPSHAFT - SERIES 1 MODELS

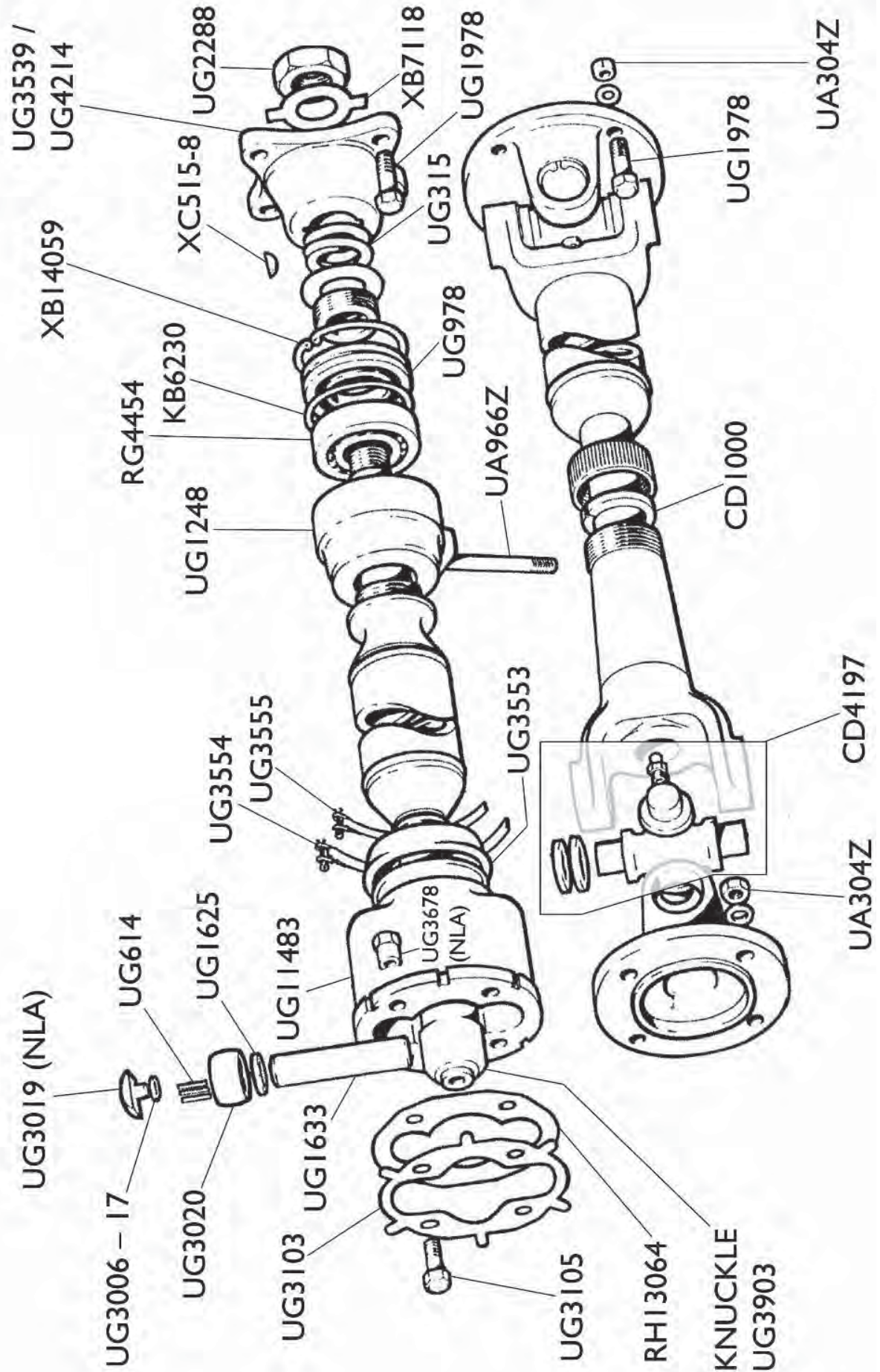


ALL DIAGRAMS REPRODUCED WITH KIND PERMISSION OF BENTLEY MOTORS LIMITED - COPYRIGHT OF BENTLEY MOTORS LIMITED

PROPSHAFT - SERIES 2 & 3 MODELS

PROPSHAFT ASSEMBLY (LWB Series 2 models)	UG3907
PROPSHAFT UNIVERSAL JOINT	CD4197P
TRUNNION RUBBER BOOT	UG3553
LARGE CLIP (For trunnion boot)	UG3554
SMALL CLIP (For trunnion boot)	UG3555
BOLT (Propshaft trunnion)	UG3105
END COVER (Propshaft trunnion)	UG3103
END COVER GASKET (Propshaft trunnion)	RH13064
PROPSHAFT FRONT TRUNNION PIN	UG1633
THRUST WASHER (Prop trunnion pin)	UG1625
OUTER RACE (Prop trunnion pin)	UG3020
NEEDLE ROLLER	UG614P
SHIM WASHER (0.012")	UG3006
PROPSHAFT CENTRE BEARING	RG4454P
SEALING RING (Prop centre bearing)	KB6230
RETAINER (Prop bearing seal)	UG978
CIRCLIP (Prop centre bearing)	XB14059
PROPSHAFT COUPLING FLANGE (Series 1 & 2 models)	UG3539
WOODRUFF KEY (0.188")	XC516R
BOLT (Propshaft to differential)	UG1978
LOCKTAB	XB7118
NUT (Propshaft flange)	UG2288
NUT	UA304ZP

PROPSHAFT - SERIES 2 & 3 MODELS



ALL DIAGRAMS REPRODUCED WITH KIND PERMISSION OF BENTLEY MOTORS LIMITED - COPYRIGHT OF BENTLEY MOTORS LIMITED

SERVICE ITEMS

CLOUD I & S1

OIL FILTER KIT	RH10003P
FUEL FILTER GAUZE (2 per filter)	F86423
FUEL FILTER SEAL	UR796P
POWER STEERING PUMP FILTER	CD633P
SET OF POINTS	POINTSET
NGK SPARK PLUG	RE20608P
CHAMPION N5C SPARK PLUG	RE20608PC
RR363 BRAKE FLUID	RR363L1
GEARBOX & PAS FLUID (1 Litre)	DEXRON
COOLANT (5 Litres)	UE70936L5
WIPER ARM (Spoon fitting)	RH8934P
WIPER BLADE (Spoon fitting)	UD2134P
WIPER ARM (Bayonet fitting)	UD1490P
WIPER BLADE (Bayonet fitting)	RH9162P


CLOUD II & S2

OIL FILTER KIT	RH10003P
AIR FILTER	UE5801P
FUEL FILTER GAUZE (2 per filter)	F86423
FUEL FILTER SEAL	UR796P
POWER STEERING PUMP FILTER	CD633P
POINTS SET	POINTSETS2
NGK SPARK PLUG	SPC3087P
TWIN DRIVE BELTS (Crank & dynamo)	RH9263
TWIN DRIVE BELTS (Coolant)	RH9265
RR363 BRAKE FLUID	RR363L1
GEARBOX & PAS FLUID (1 Litre)	DEXRON
COOLANT (5 Litres)	UE70936L5
WIPER BLADE (Bayonet fitting)	RH9162P
WIPER ARM (Bayonet fitting)	UD1490P
WIPER BLADE (Spoon fitting)	UD2134P
WIPER ARM (Spoon fitting)	RH8934P

SERVICE ITEMS

CLOUD III & S3

OIL FILTER KIT	RH10003P
FUEL FILTER GAUZE (2 per filter)	F86423
FUEL FILTER SEAL	UR796P
POWER STEERING PUMP FILTER	CD633P
AIR FILTER	UE5801P
TWIN POINTS (2 required per car)	CD3047P
NGK SPARK PLUG	SPC3087P
RR363 BRAKE FLUID	RR363L1
GEARBOX & PAS FLUID (1 Litre)	DEXRON
COOLANT (5 Litres)	UE70936L5
TWIN DRIVE BELTS (Crank & dynamo)	RH9263
TWIN DRIVE BELTS (Coolant)	RH9265
WIPER BLADE (Bayonet fitting)	RH9162P
WIPER ARM (Bayonet fitting)	UD1490P
WIPER BLADE (Spoon fitting)	UD2134P
WIPER ARM (Spoon fitting)	RH8934P



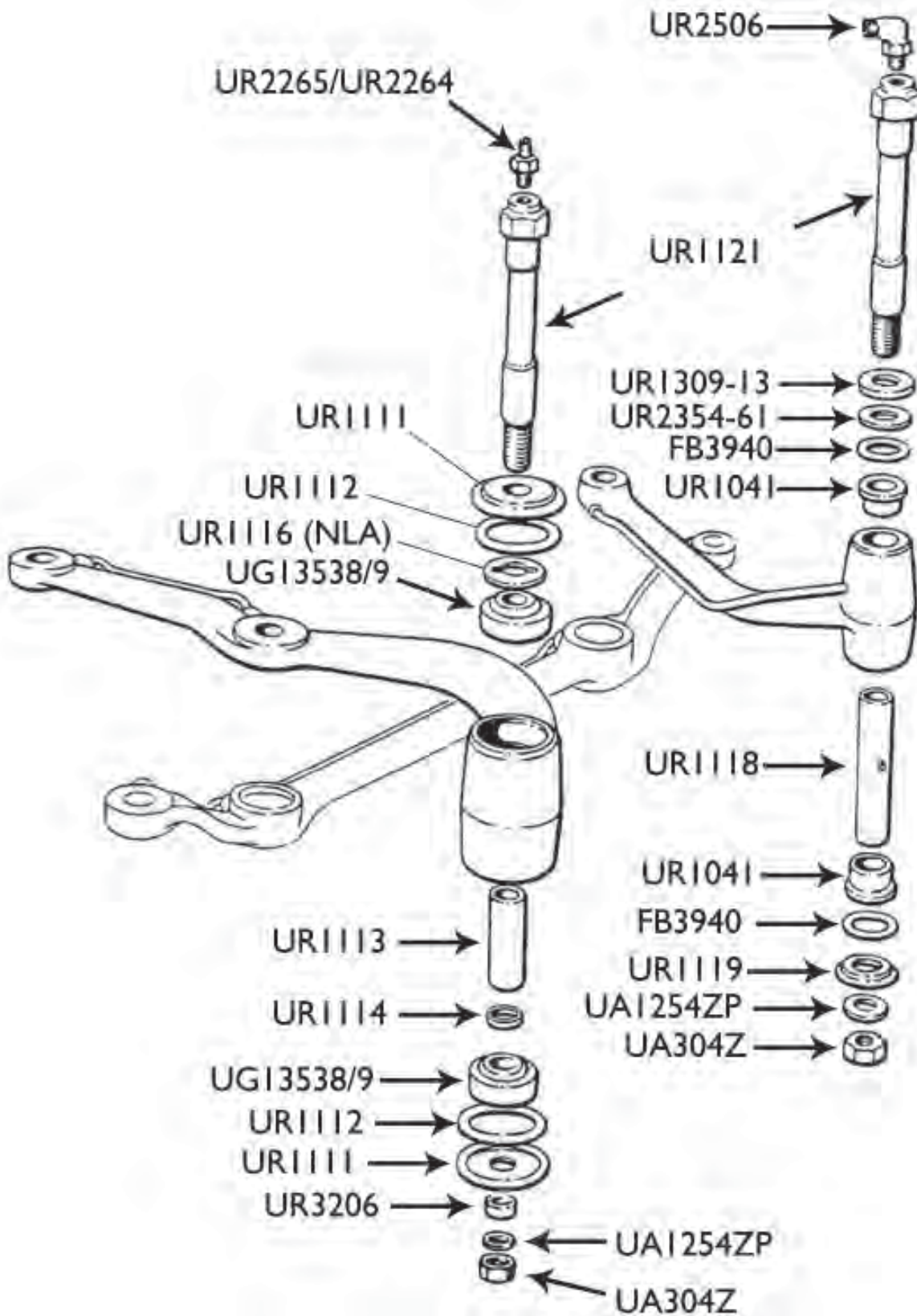
STEERING LINKAGE - SERIES 1 MODELS

CENTRE STEERING & IDLER LEVER

STEERING PIN (Idler & centre levers)	UR1121
SEALING RING	FB3940
BUSH IDLER LEVER PIN	UR1041
DISTANCE TUBE IDLER LEVER PIN	UR1118
WASHER (For steering Idler & centre lever pin seals)	UR1119
WASHER (0.453")	UA1254ZP
NUT	UA304ZP
RETAINER (Centre steering idler pin)	UR1111
SEALING RING CENTRE LEVER PIN	UR1112
BEARING	UG13538/9P
DISTANCE TUBE	UR1113
ADJUSTING WASHER (For steering centre lever bearing)	UR1114
ADJUSTING WASHER (0.100" - For steering centre lever pin)	UR3206
METER VALVE (Elbow)	UR2506
CHASSIS LUBRICATION METER VALVE (Straight)	UR2265
CHASSIS LUBRICATION METER VALVE (Straight)	UR2264

STEERING LINKAGE - SERIES 1 MODELS

CENTRE STEERING & IDLER LEVER

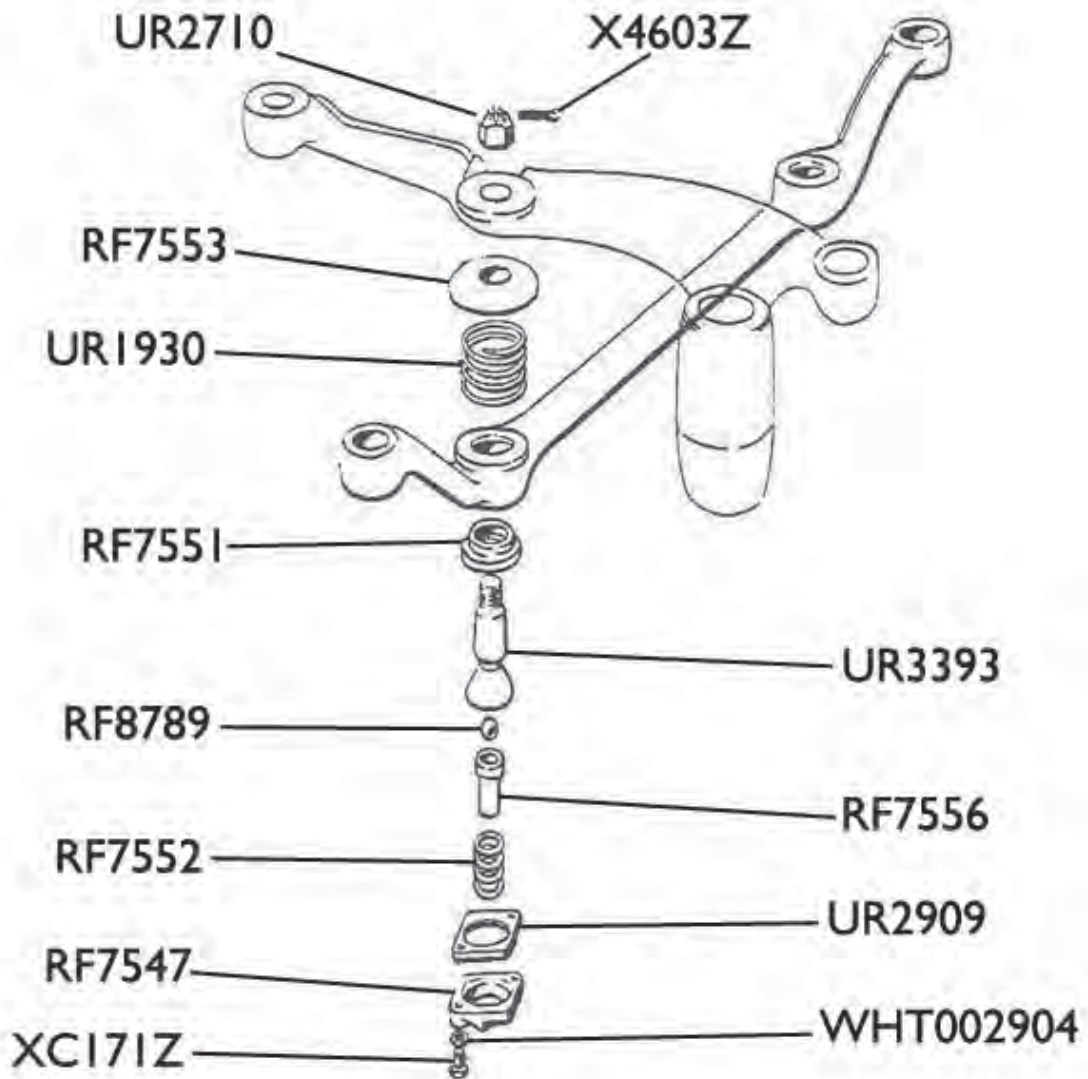


ALL DIAGRAMS REPRODUCED WITH KIND PERMISSION OF BENTLEY MOTORS LIMITED - COPYRIGHT OF BENTLEY MOTORS LIMITED

STEERING LINKAGE - SERIES 1 MODELS

CROSS BEAM (OIL LUBRICATED)

STEERING PIN	UR3393
SEAT (Steering pin)	RF7551
RUBBER BOOT	RF7553P
SPRING (Upper)	UR1930
BALL BEARING	RF8789
SEAT (Spring)	RF7556P
SPRING BALL JOINT	RF7552P
JOINT LOWER COVER	UR2909
COVER (Oil lubricated drag link end)	RF7547
EXHAUST MANIFOLD STUD WASHER	WHT002904
NUT	UR2710
SPLIT PIN (0.062")	X4603Z

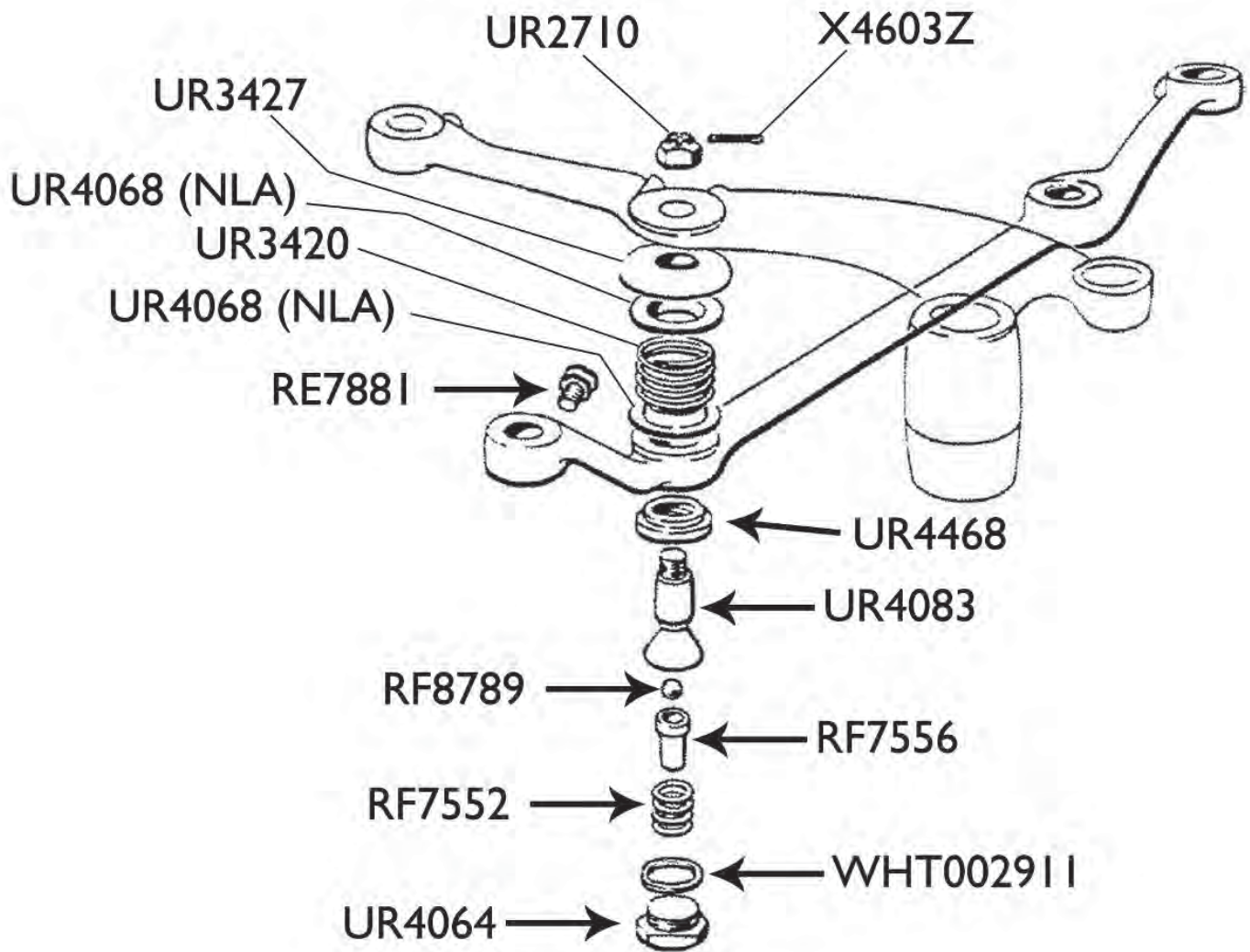


ALL DIAGRAMS REPRODUCED WITH KIND PERMISSION OF BENTLEY MOTORS LIMITED - COPYRIGHT OF BENTLEY MOTORS LIMITED

STEERING LINKAGE - SERIES 1 MODELS

CROSS BEAM (GREASE LUBRICATED)

STEERING PIN	UR4083P
STEERING PIN SEAT	UR4468
RUBBER BOOT	UR3427P
WASHER	UR4068
SPRING LARGE	UR3420
BALL BEARING	RF8789
SEAT (Spring)	RF7556P
SPRING BALL JOINT	RF7552P
WASHER, ALUMINIUM, 1.250", BALL PIN	WHT002911
GREASE NIPPLE	RE7881
NUT	UR2710
SPLIT PIN (0.062")	X4603Z

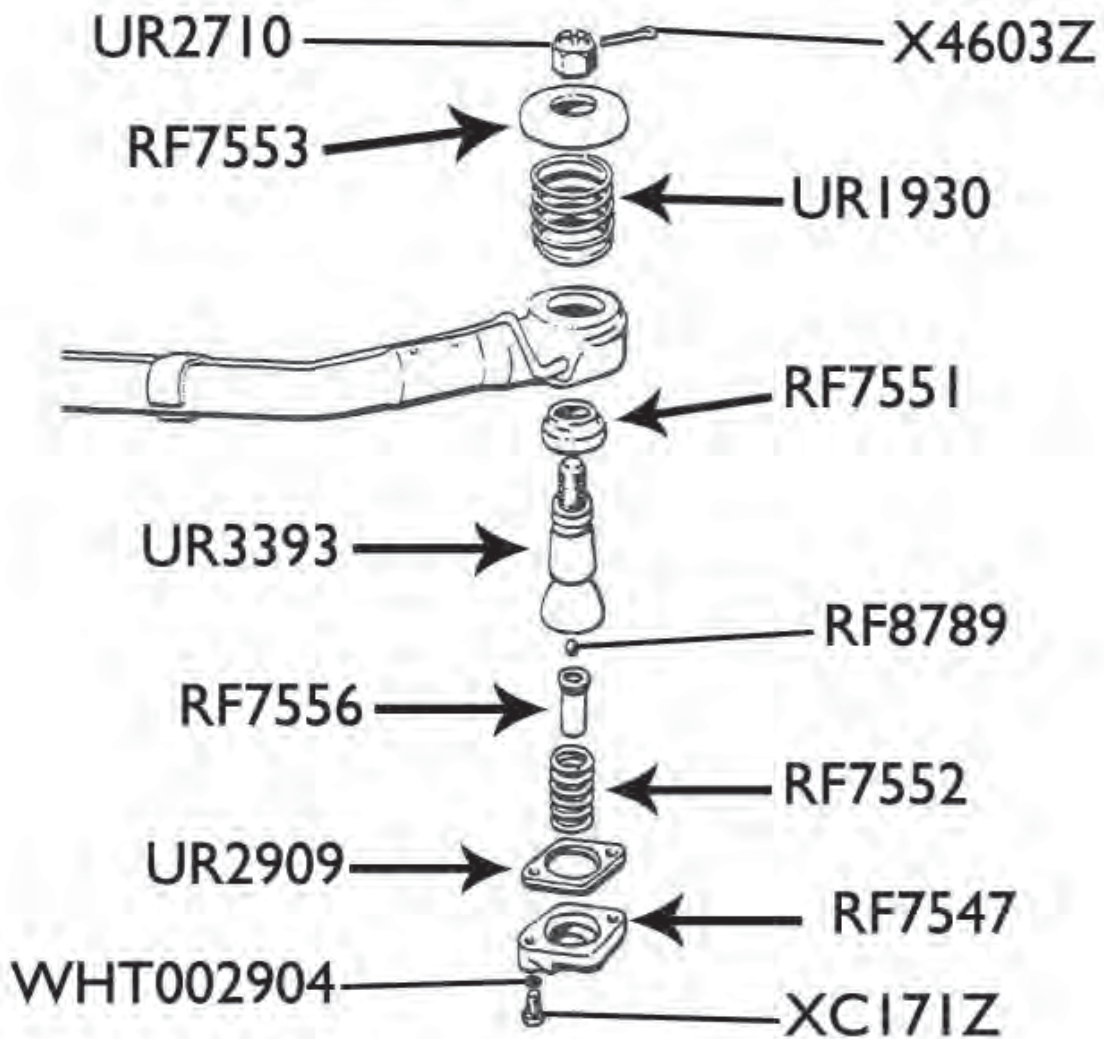


ALL DIAGRAMS REPRODUCED WITH KIND PERMISSION OF BENTLEY MOTORS LIMITED - COPYRIGHT OF BENTLEY MOTORS LIMITED

STEERING LINKAGE - SERIES 1 MODELS

DRAG LINK (OIL LUBRICATED)

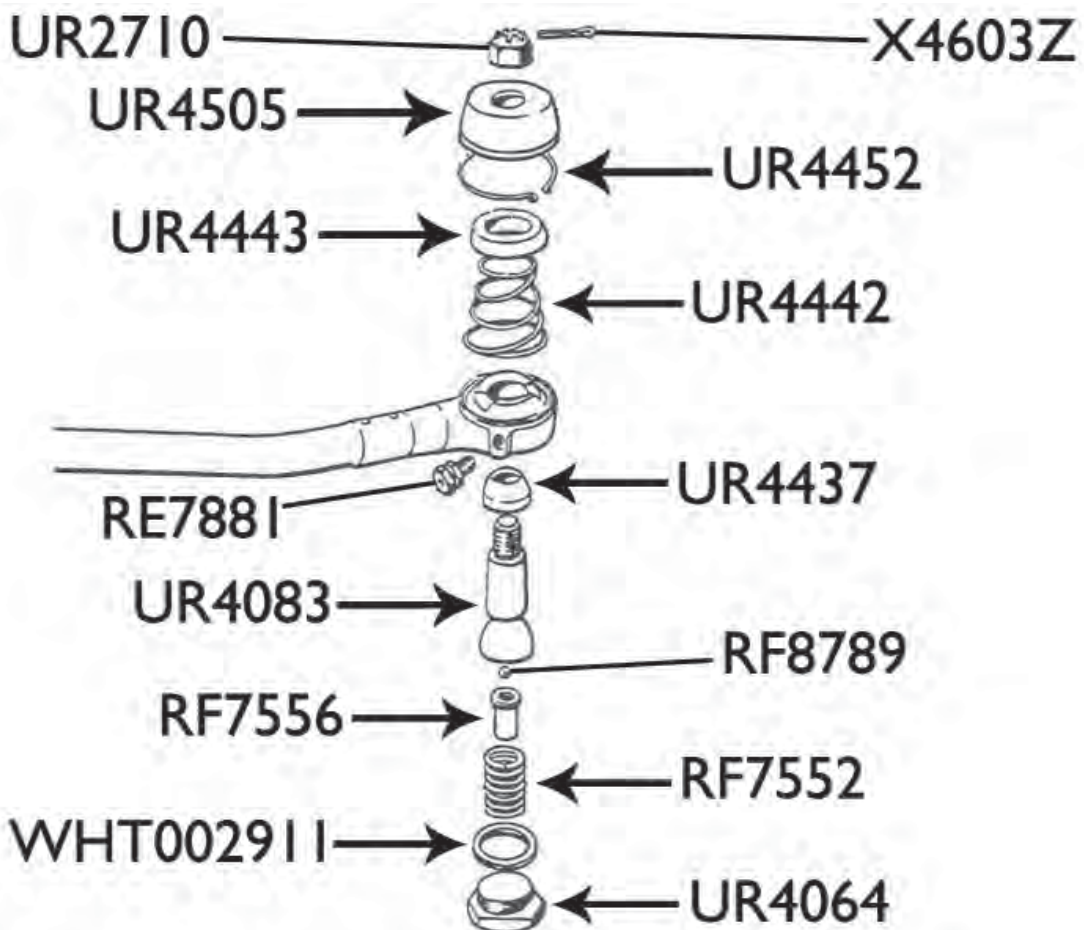
STEERING PIN	UR3393
SEAT (Steering pin)	RF7551
SPRING (Upper)	UR1930
RUBBER BOOT	RF7553P
BALL BEARING	RF8789
SEAT (Spring)	RF7556P
SPRING BALL JOINT	RF7552P
JOINT LOWER COVER	UR2909
COVER (Oil lubricated drag link end)	RF7547
NUT	UR2710
SPLIT PIN (0.062")	X4603Z
WASHER	WHT002904



STEERING LINKAGE - SERIES 1 MODELS

DRAG LINK (GREASE LUBRICATED)

STEERING PIN	UR4083P
CASTELLATED NUT (0.3125 UNF)	UA1102Z
SEAT	UR4437
BOOT	UR4505
CLIP FOR BOOT	UR4452P
CUPPED WASHER	UR4443
SPRING LARGE	UR4442P
BALL BEARING	RF8789
SEAT (Spring)	RF7556P
SPRING BALL JOINT	RF7552P
WASHER, ALUMINIUM, 1.250", BALL PIN	WHT002911
LOCKTAB FOR STEERING ARM	UR8816P
GREASE NIPPLE	RE7881
NUT	UR2710
SPLIT PIN (0.062")	X4603Z

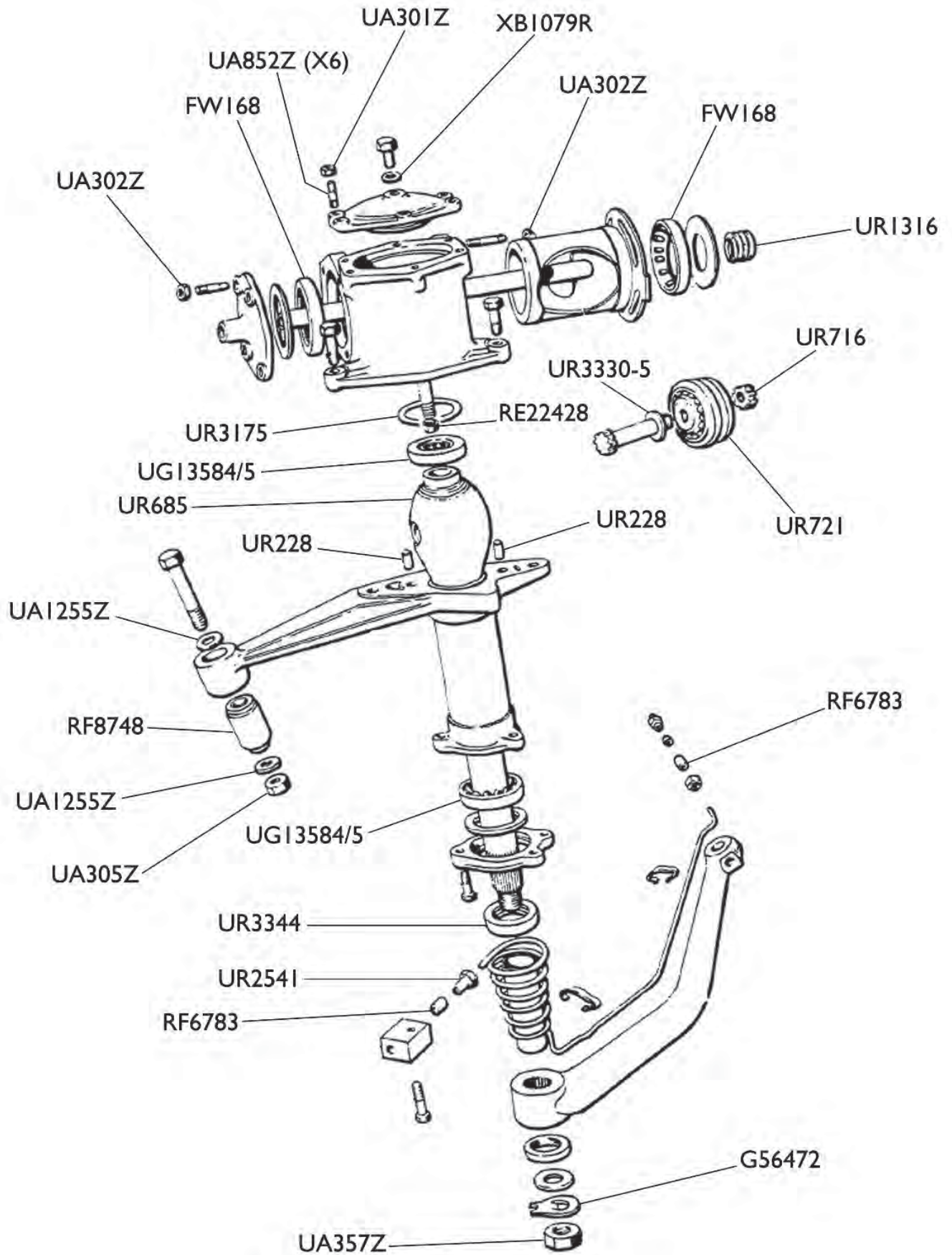


ALL DIAGRAMS REPRODUCED WITH KIND PERMISSION OF BENTLEY MOTORS LIMITED - COPYRIGHT OF BENTLEY MOTORS LIMITED

MANUAL STEERING BOX - SERIES 1 MODELS

STEERING COLUMN & BOX RHD (Manual steering)	RH214
MANUAL STEERING BOX RHD (With oil fed lubrication)	UR1917SXR
MANUAL STEERING BOX RHD (With grease fed lubrication)	UR4571SXR
OIL SEAL (Rocking shaft to pendulum lever)	UR3344
LOCKTAB	G56472P
SILENTBLOC BUSH	RF8748P
SEALING RING (Steering box to mounting bracket)	UR3175
SPRING (Steering box rocker shaft)	UR1316
BEARING (Steering box rocker shaft)	FW168
NUT (Rocking shaft bolt)	UR716
NUT	RE22428P
ROCKING SHAFT (Standard RHD models only)	UR685
BEARING ROLLERS & CAGE (Rocker shaft bearing)	UG13584
BEARING CUP (Rocker shaft bearing)	UG13585
STEERING ROLLER	UR721
COMPRESSION SLEEVE	RF6783
CHASSIS LUBRICATION THREADED BUSH	UR2541
WASHER	XB1079RP
NUT	UA301ZP
NUT (Plain - 0.500" diameter)	UA305ZP
WASHER PLAIN .515 DIA (OE)	UA1255Z
NUT	UA302R

MANUAL STEERING BOX - SERIES 1 MODELS



ALL DIAGRAMS REPRODUCED WITH KIND PERMISSION OF BENTLEY MOTORS LIMITED - COPYRIGHT OF BENTLEY MOTORS LIMITED

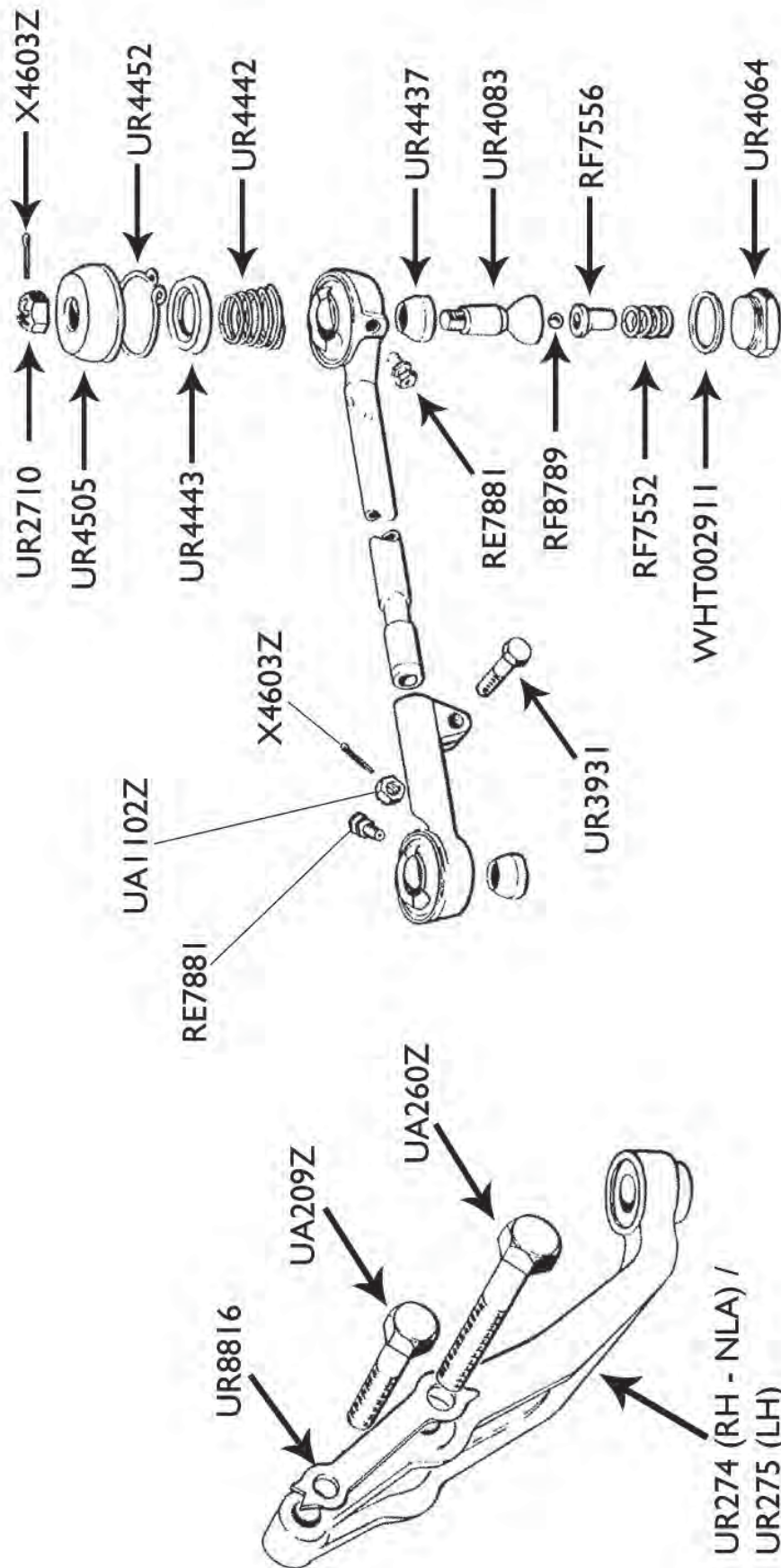
STEERING LINKAGE - SERIES 1 MODELS

TRACK RODS

STEERING PIN	UR4083P
SEAT	UR4437
BOOT	UR4505
CLIP FOR BOOT	UR4452P
CUPPED WASHER	UR4443
SPRING LARGE	UR4442P
BALL BEARING	RF8789
SEAT (Spring)	RF7556P
SPRING BALL JOINT	RF7552P
WASHER, ALUMINIUM, 1.250", BALL PIN	WHT002911
GREASE NIPPLE	RE7881
NUT	UR2710
SPLIT PIN (0.062")	X4603Z
CASTELLATED NUT (0.3125 UNF)	UA1102Z
LOCKTAB FOR STEERING ARM	UR8816P
LH STEERING LEVER	UR275
BOLT	UA209Z
BOLT	UA260Z

STEERING LINKAGE - SERIES 1 MODELS

TRACK RODS

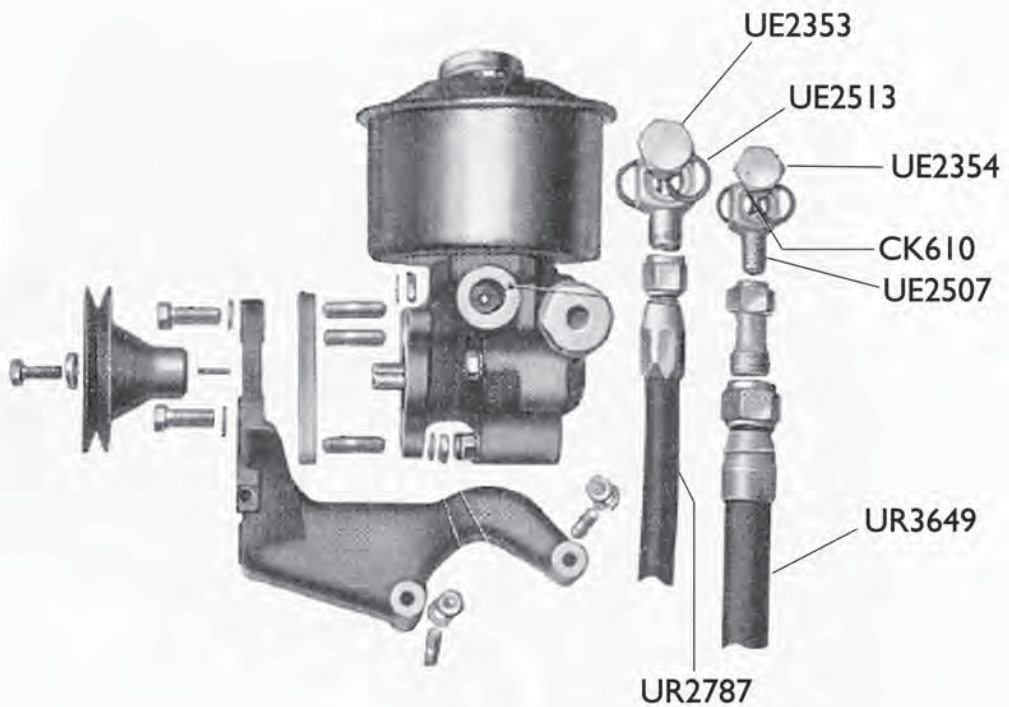
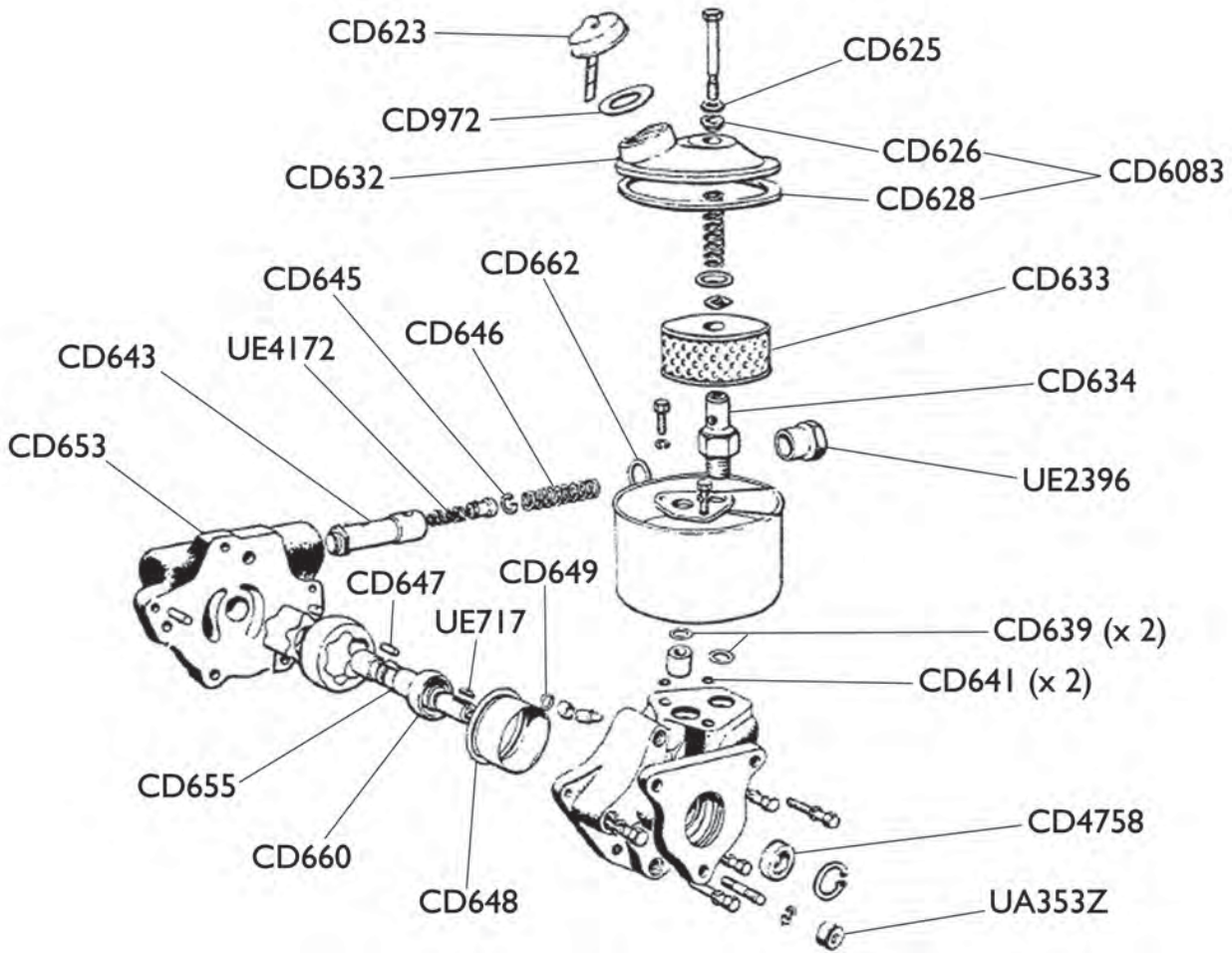


ALL DIAGRAMS REPRODUCED WITH KIND PERMISSION OF BENTLEY MOTORS LIMITED - COPYRIGHT OF BENTLEY MOTORS LIMITED

POWER STEERING PUMP - SERIES 1 MODELS

POWER STEERING PUMP	RH2675SXR
POWER STEERING PUMP LID SEAL KIT	CD6083
POWER STEERING PUMP FILTER	CD633P
STEERING PUMP LID SEAL	CD628P
SEAL (Reservoir cap)	CD972
CAP & DIPSTICK (Steering pump)	CD623
WASHER (Reservoir lid stud)	CD625
O RING SMALL RESERVOIR TO PUMP	CD641
O RING LARGE RESERVOIR TO PUMP	CD639
MAIN SHAFT (Steering pump)	CD655
BALL RACE (Steering pump shaft)	CD660P
DRIVING KEY (Steering pump shaft)	UE717
O RING (Steering pump shaft)	CD648
O RING (Throw director)	CD649
O RING (Relief valve)	CD662
SPRING (Relief valve)	CD646
OIL SEAL KIT	CD4758P
LID (Power steering pump reservoir)	CD632
HALF NUT	UA353ZP
SEALING RING	CK610P
HOSE (Feed from pump to box)	UR3649P
BANJO (Feed hose & Ram hoses)	UE2507
BANJO BOLT (Pump to box hose & Ram hoses)	UE2354
BANJO O RING	UE2513
HOSE (Return from box to pump)	UR2787
BANJO BOLT (Return hose from box to pump)	UE2353

POWER STEERING PUMP - SERIES 1 MODELS

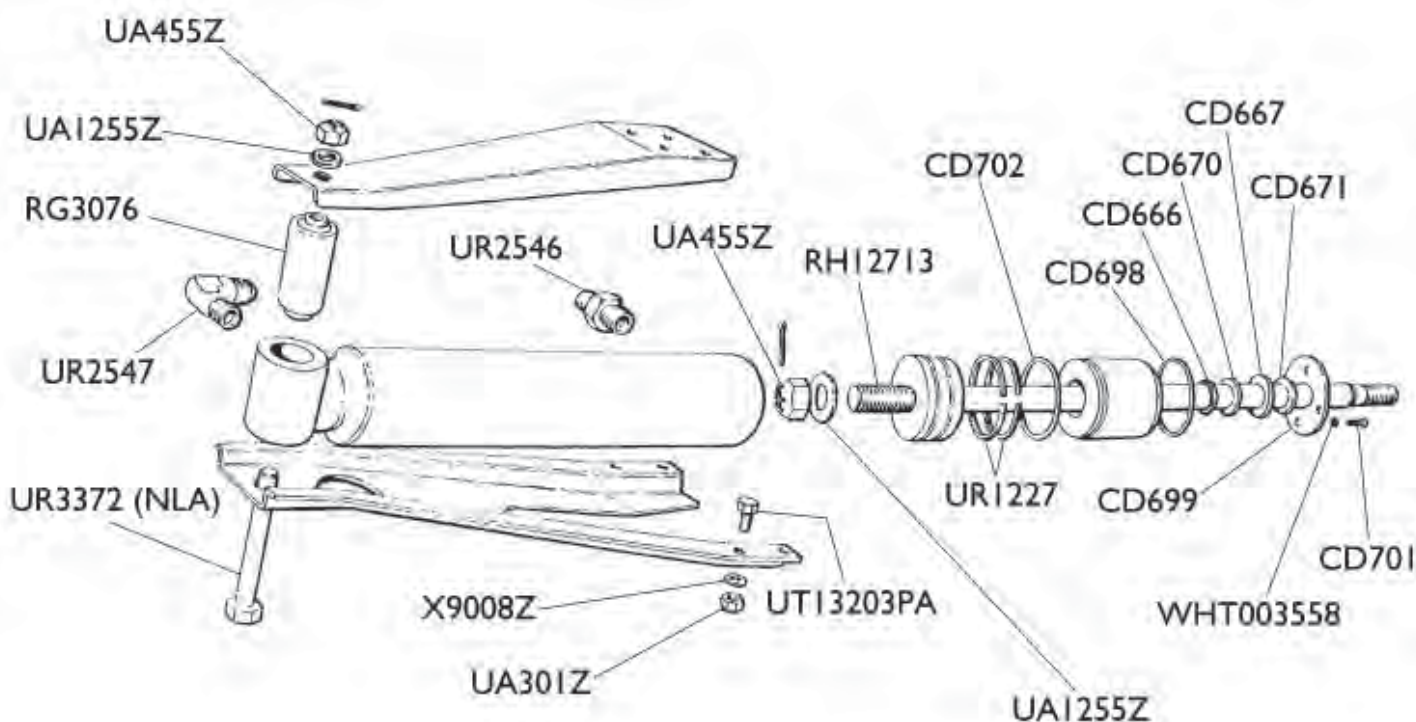


ALL DIAGRAMS REPRODUCED WITH KIND PERMISSION OF BENTLEY MOTORS LIMITED - COPYRIGHT OF BENTLEY MOTORS LIMITED

POWER STEERING RAM - SERIES 1 MODELS

MAIN RAM

POWER STEERING RAM (RHD)	UR3252SXR
POWER STEERING RAM (LHD)	UR3251SXR
STEERING RAM O RING KIT	RAMORINGKIT
STEERING RAM REBUILD KIT	RAMKIT
STEERING RAM SEAL	CD666P
WASHER	CD667P
WASHER (Steering ram)	CD670P
O RING	CD702P
SCRAPER RING (Steering ram)	CD671
SILENTBLOC BUSH	RG3076
PISTON RING (Steering ram)	UR1227
RETAINING RING (Steering ram)	CD698
NUT	UA301ZP
WASHER PLAIN .515 DIA (OE)	UA1255Z
CASTELLATED NUT (0.5")	UA455Z
BOLT (0.250 UNF x 0.625" long)	UT13203PA

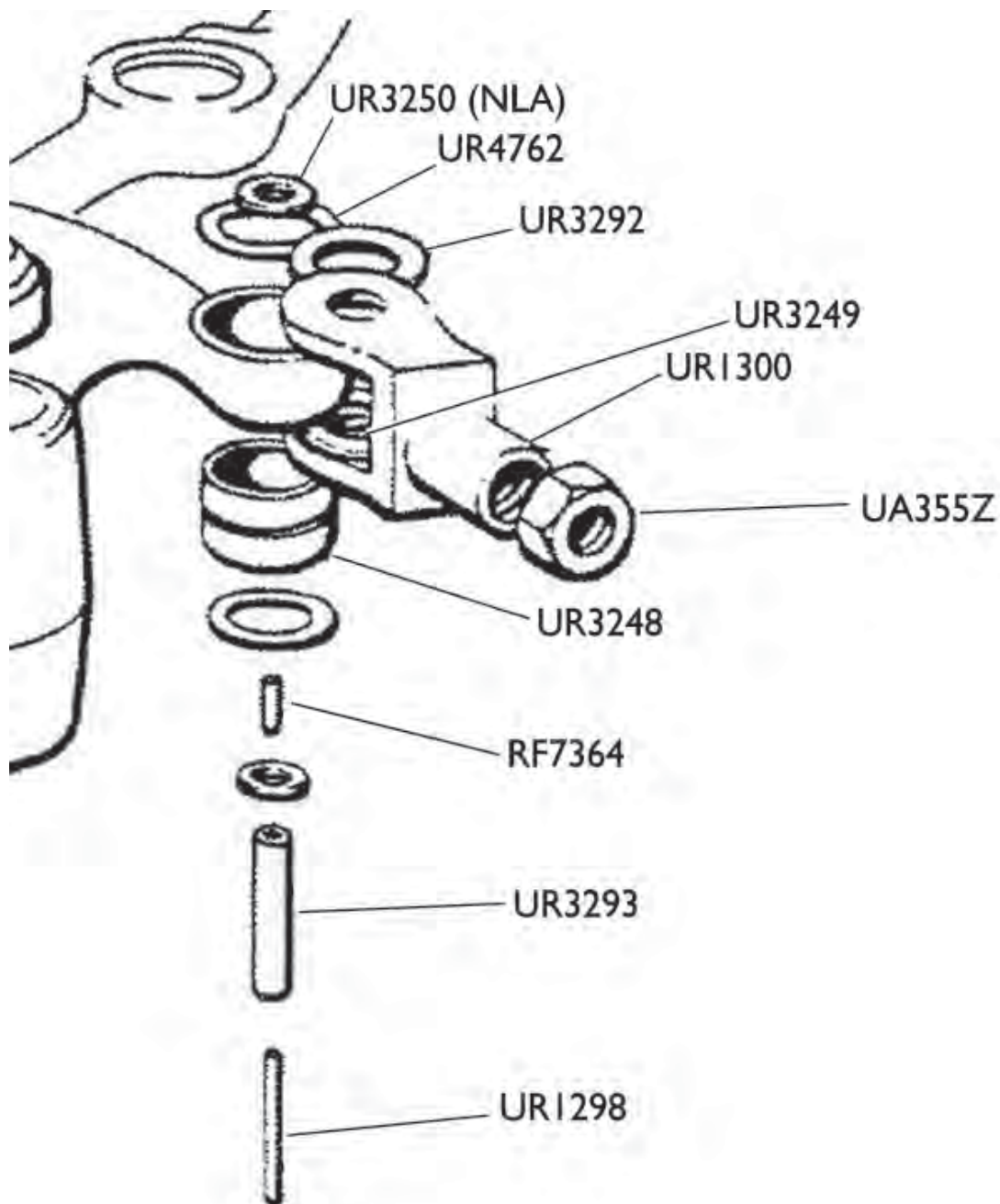


ALL DIAGRAMS REPRODUCED WITH KIND PERMISSION OF BENTLEY MOTORS LIMITED - COPYRIGHT OF BENTLEY MOTORS LIMITED

POWER STEERING RAM - SERIES 1 MODELS

RAM TO CENTRE LEVER LINKAGE

ROLLER BEARING (Centre steering lever)	UR3248
NEEDLE ROLLER	RF7364P
SEALING RING (Steering ram jaw - 2 required)	UR4762
WASHER (Power steering ram jaw sealing ring)	UR3292
SPACING WASHER (Power steering ram jaw)	UR3249
JAW (Power steering ram to centre steering lever)	UR1300
TUBULAR RIVET (Power steering ram jaw)	UR3293
CONNECTING PIN (Power steering ram jaw)	UR1298

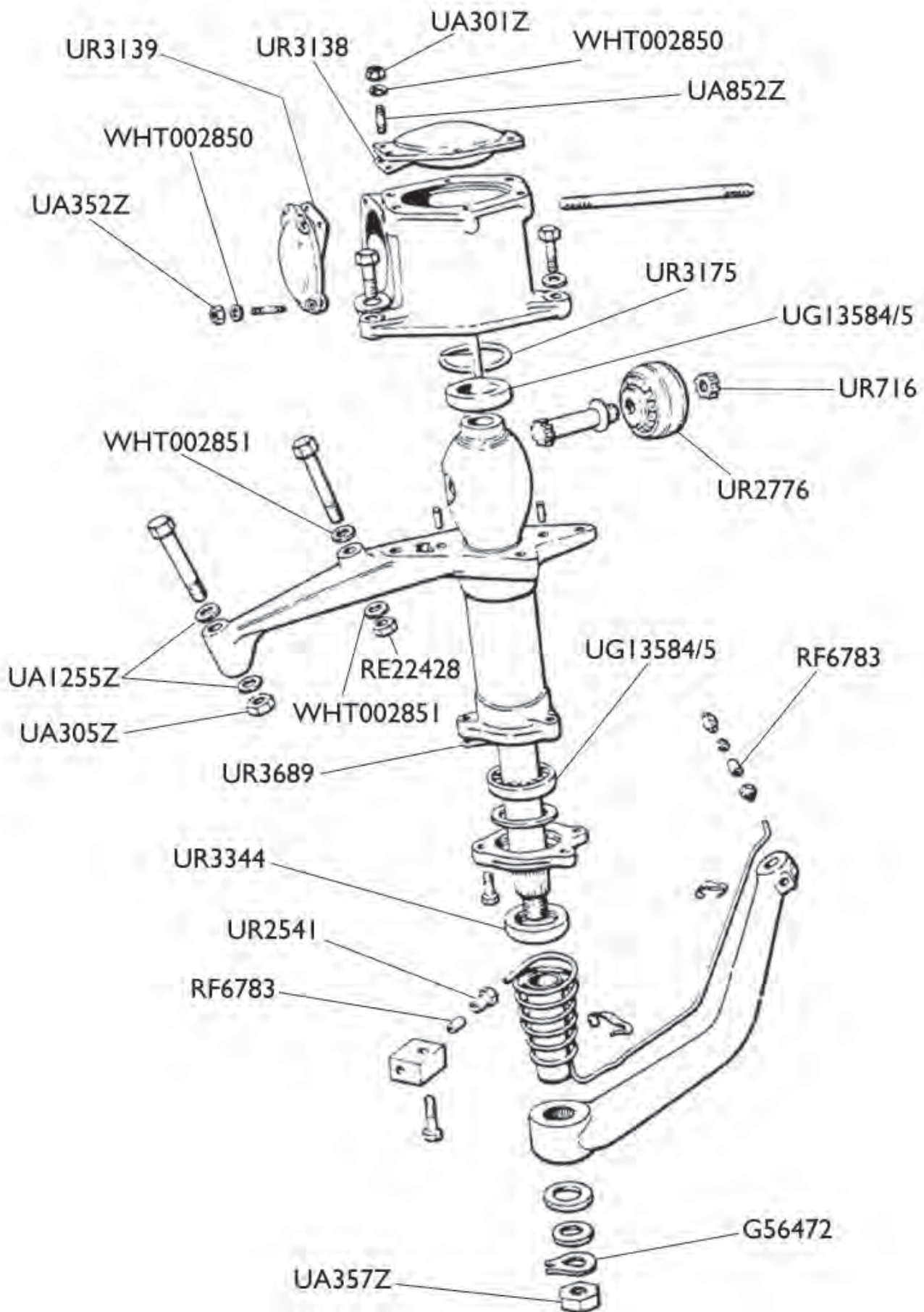


POWER STEERING BOX - SERIES 1 MODELS

POWER STEERING BOX

OIL SEAL (Rocking shaft to pendulum lever)	UR3344
LOCKTAB	G56472P
GASKET (Steering box end cover)	UR3139
GASKET TOP COVER	UR3138
GASKET (Steering box - lower)	UR3689
SEALING RING (Steering box to mounting bracket)	UR3175
CAM ROLLER	UR2776
NUT (Rocking shaft bolt)	UR716
BEARING ROLLERS & CAGE (Rocker shaft bearing)	UG13584
BEARING CUP (Rocker shaft bearing)	UG13585
NUT	UA301ZP
WASHER	WHT002850
HALF NUT	UA352ZP
NUT (Plain - 0.500" diameter)	UA305ZP
NUT	RE22428P
WASHER PLAIN .515 DIA (OE)	UA1255Z
WASHER	WHT002849P
WASHER	WHT002851P
COMPRESSION SLEEVE	RF6783
CHASSIS LUBRICATION THREADED BUSH	UR2541

POWER STEERING BOX - SERIES 1 MODELS



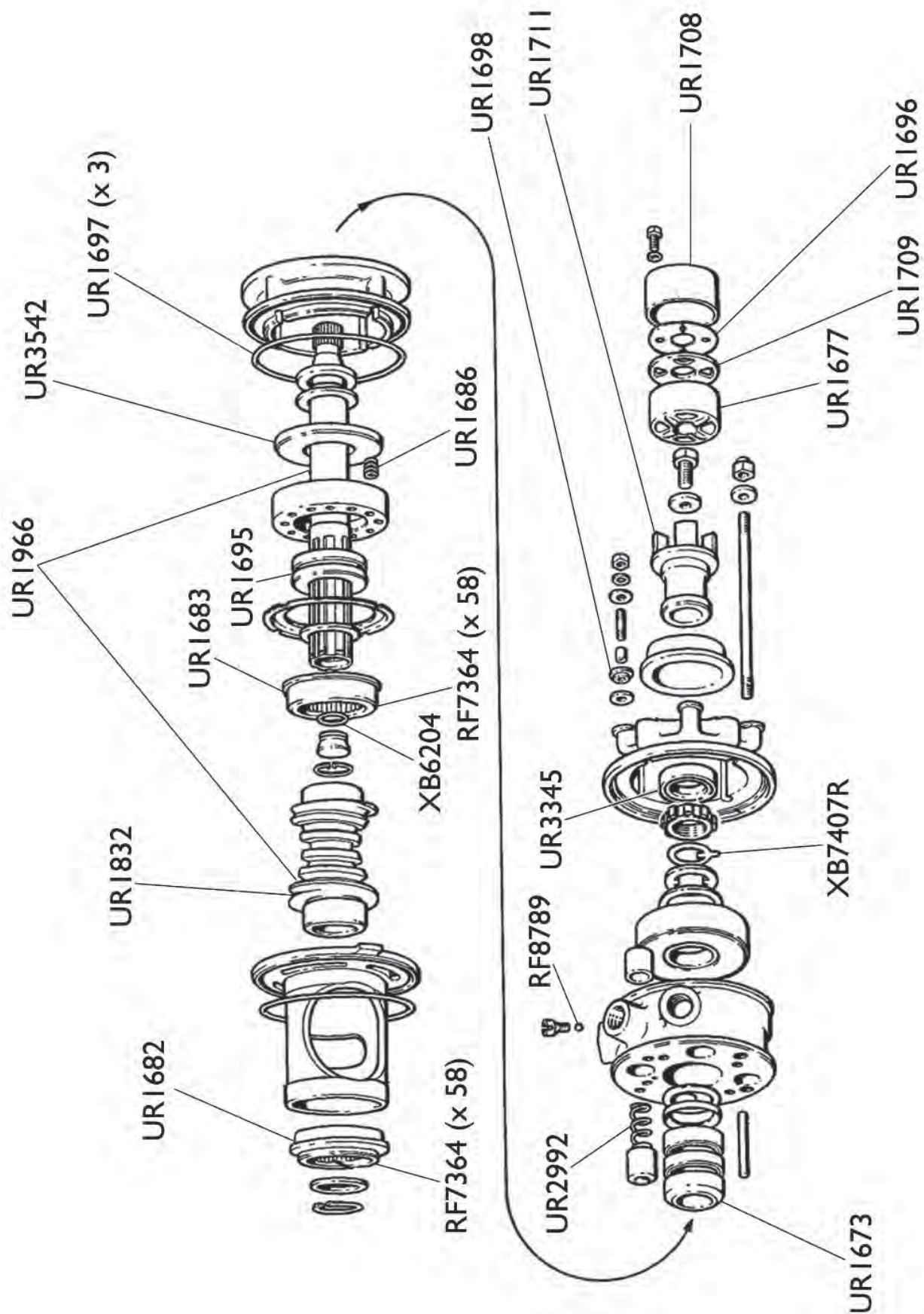
ALL DIAGRAMS REPRODUCED WITH KIND PERMISSION OF BENTLEY MOTORS LIMITED - COPYRIGHT OF BENTLEY MOTORS LIMITED

POWER STEERING BOX SPOOL VALVE - SERIES 1 MODELS

POWER STEERING SPOOL VALVE

SEALING RING (Upper & lower spool valve)	UR1697P
STEERING CAM & TUBE ASSEMBLY (RHD)	UR1966
STEERING CAM WORM (RHD)	UR1832
OUTER BEARING (Lower spool valve)	UR1682
INNER BEARING (Lower spool valve)	UR1683
NEEDLE ROLLER	RF7364P
INNER BEARING (Spool valve)	UR1695
SEALING RING (Steering cam tube plug)	XB6204
RUBBER BUSH (Upper spool valve stud - 8 bushes per valve)	UR1698
MAIN OIL SEAL (Spool valve)	UR3345
LOCKTAB	XB7407R
THRUST WASHER (0.200" for lower half of spool valve)	UR3542
PRIMARY SPRING (Spool valve)	UR2992
SECONDARY SPRING (Spool valve)	UR1686
VALVE	UR1673
COUPLING DOG (Upper spool valve)	UR1711
DISTANCE PIECE (Upper spool valve)	UR1709
SPLIT WASHER (Upper spool valve)	UR1696
COVER (Upper spool valve coupling)	UR1708
BALL BEARING	RF8789
COUPLING (Upper spool valve)	UR1677

POWER STEERING BOX SPOOL VALVE - SERIES 1 MODELS



ALL DIAGRAMS REPRODUCED WITH KIND PERMISSION OF BENTLEY MOTORS LIMITED - COPYRIGHT OF BENTLEY MOTORS LIMITED

POWER STEERING BOX & SPOOL VALVE - SERIES 1 MODELS

HOSE UNIONS

SEALING RING

CK610P

BANJO (Feed hose & Ram hoses)

UE2507

BANJO BOLT (Pump to box hose & Ram hoses)

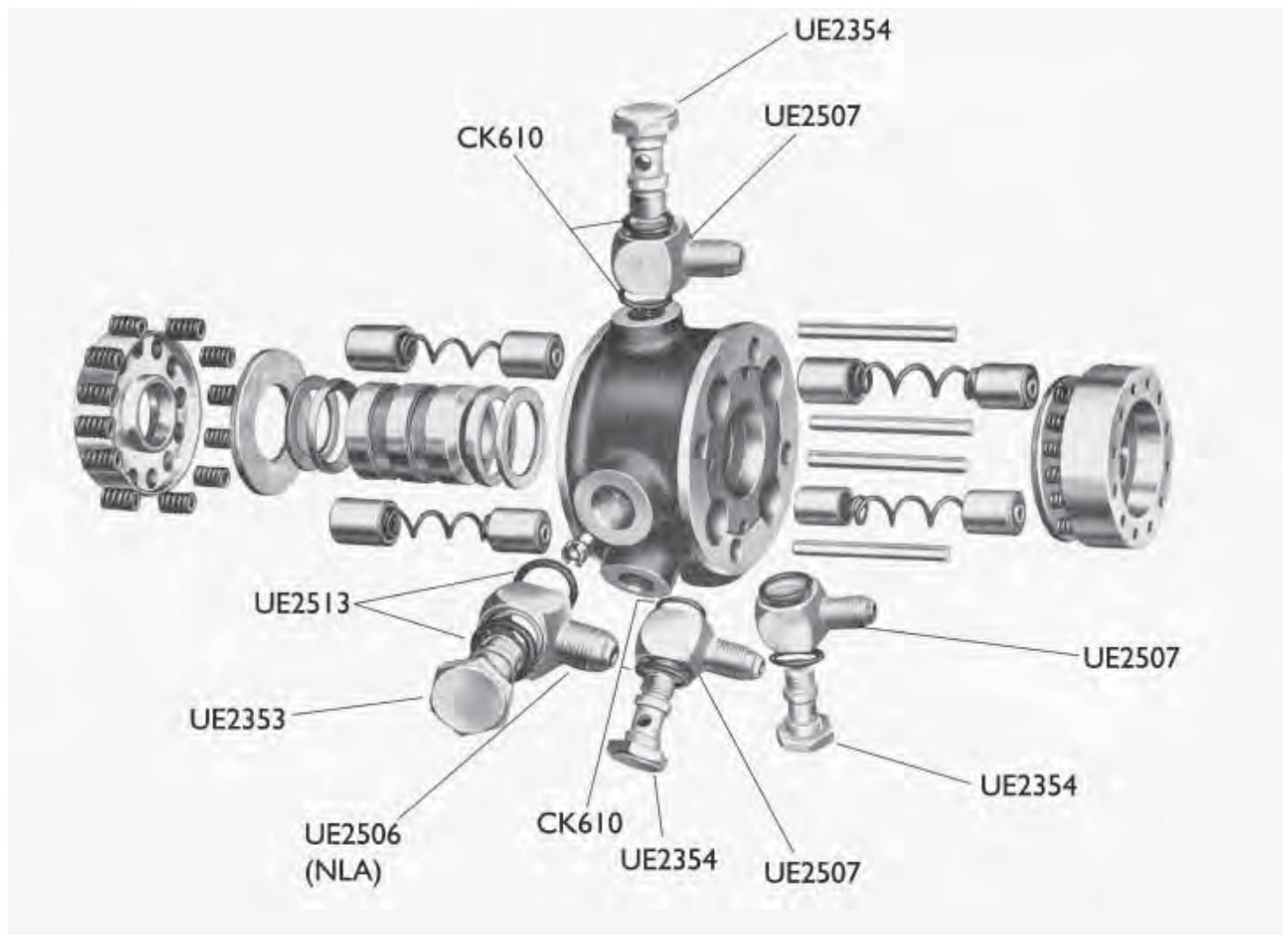
UE2354

BANJO O RING

UE2513

BANJO BOLT (Return hose from box to pump)

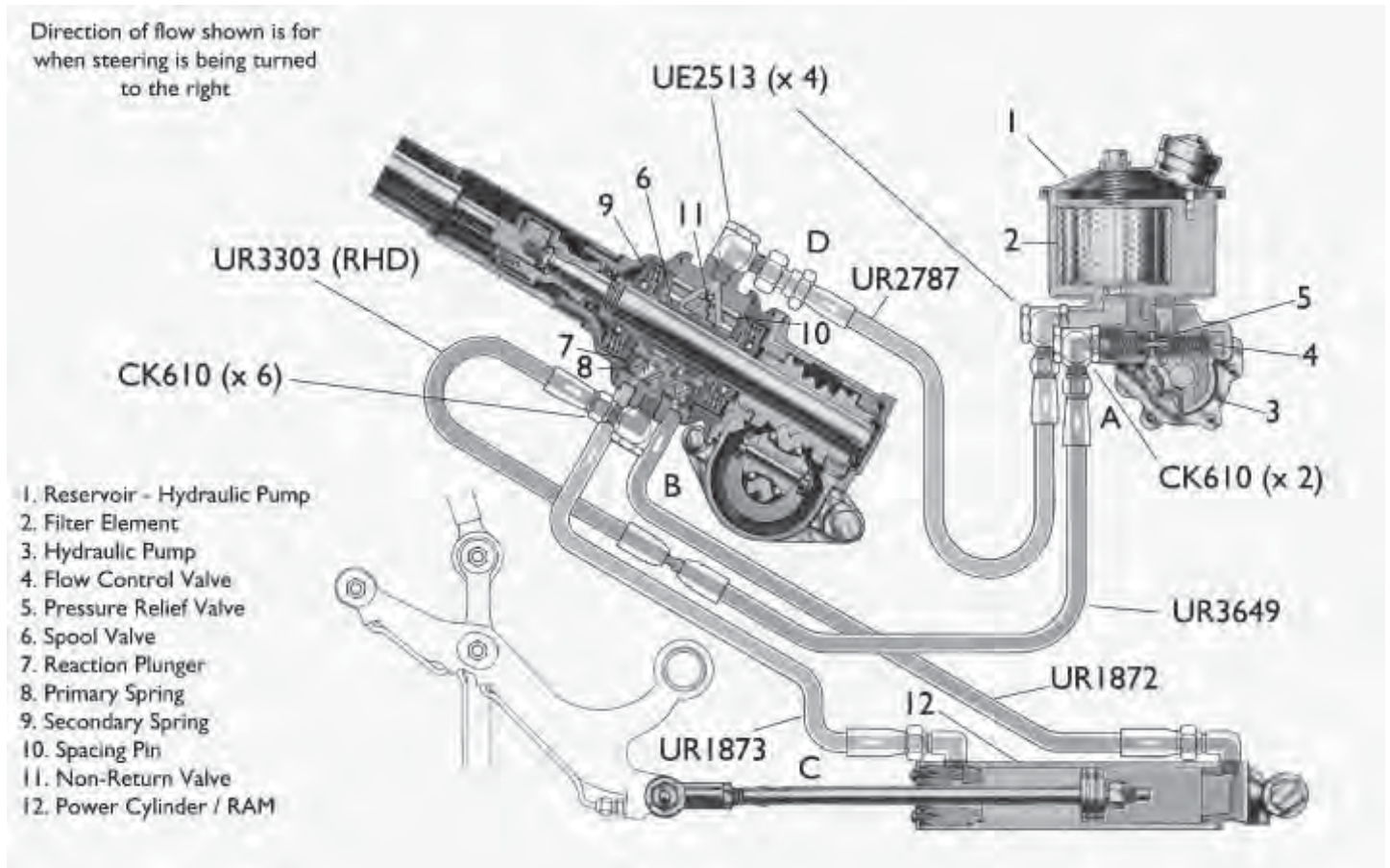
UE2353



ALL DIAGRAMS REPRODUCED WITH KIND PERMISSION OF BENTLEY MOTORS LIMITED - COPYRIGHT OF BENTLEY MOTORS LIMITED

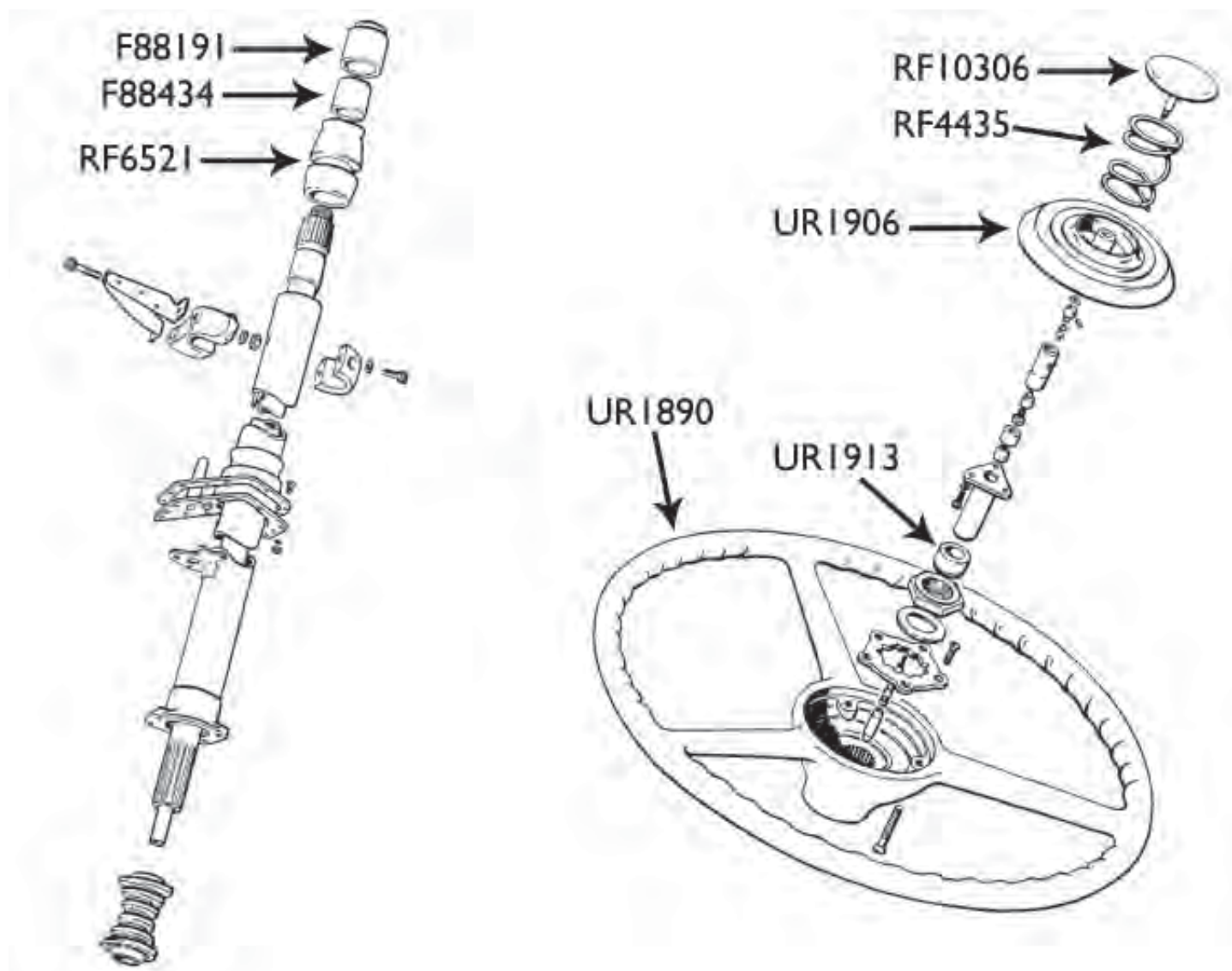
POWER STEERING HOSES - SERIES 1 MODELS

HOSE (Feed from pump to box)	UR3649P
EXTENSION HOSE (RHD - From pump hose UR3649 to box)	UR3303
HOSE (Box to front of ram)	UR1872
HOSE (From box to rear of ram)	UR1873P
HOSE (Return from box to pump)	UR2787
BANJO O RING	UE2513
SEALING RING	CK610P
BANJO BOLT (Return hose from box to pump)	UE2353
BANJO (Feed hose & Ram hoses)	UE2507
BANJO BOLT (Pump to box hose & Ram hoses)	UE2354



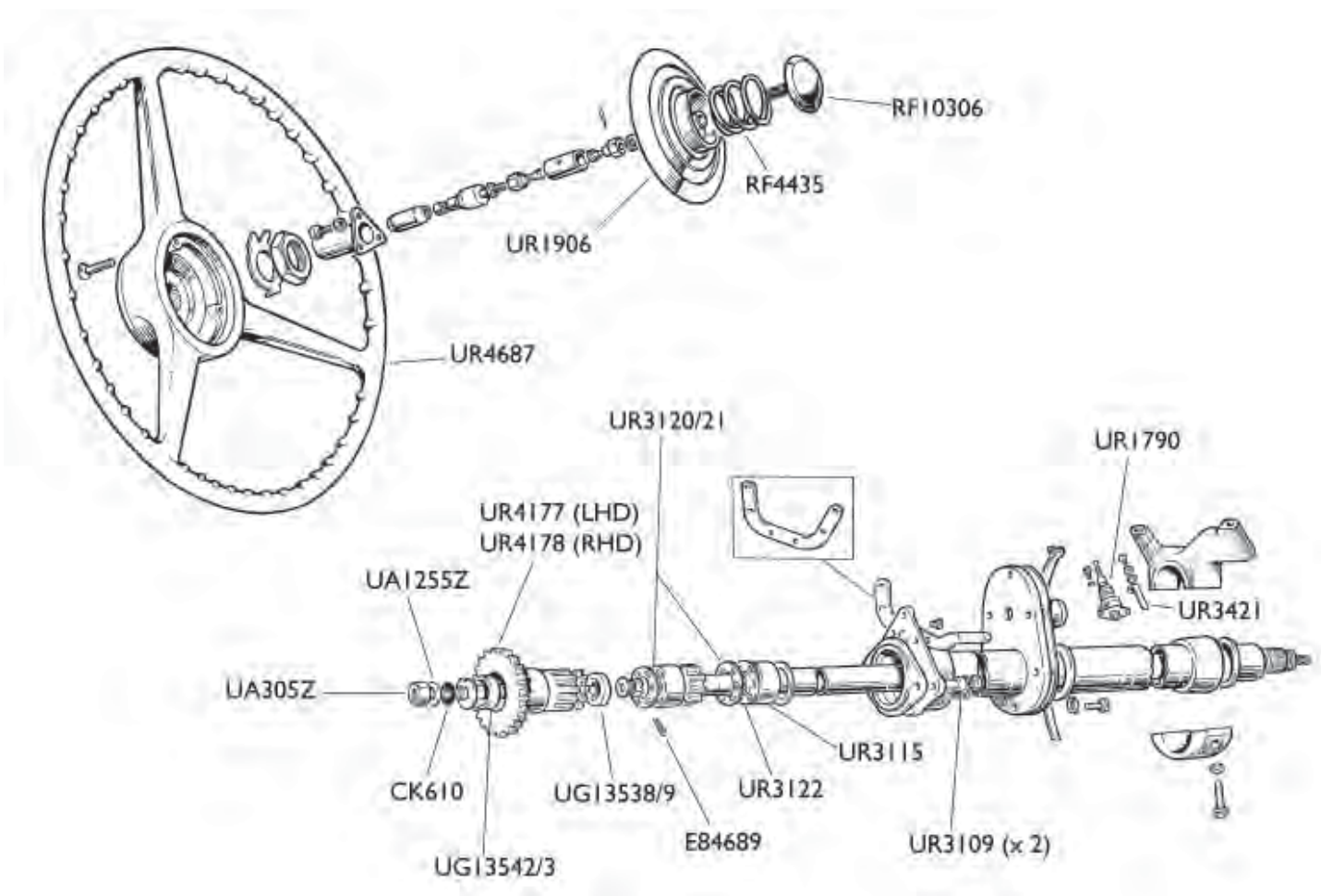
STEERING WHEEL & COLUMN - SERIES 1 MODELS

SPRING (Horn push)	RF4435
STEERING WHEEL	UR1890U
HORN BUTTON HOUSING	UR1906
OILITE BUSH (Steering column)	F88434
SLEEVE (Upper - steering column)	RF6521
RUBBER BUSH (Horn contact housing to steering wheel)	UR1913



STEERING WHEEL & COLUMN - SERIES 2 & 3 MODELS

STEERING WHEEL	UR4687U
HORN BUTTON HOUSING	UR1906
SPRING (Horn push)	RF4435
SWITCH (Gear change, fast idle & handbrake warning)	UG4049P
COUPLING & DISTANCE PIECE (Steering column inner tube)	UR3120/21P
BEARING	UG13538/9P
BEARING (Lower - inner steering tube)	UG13542/3P
SEALING RING	CK610P
TOP COVER BUSH	UR3109
SPLIT PIN (Big end bolt nut)	E84689
WASHER PLAIN .515 DIA (OE)	UA1255Z
NUT (Plain - 0.500" diameter)	UA305ZP

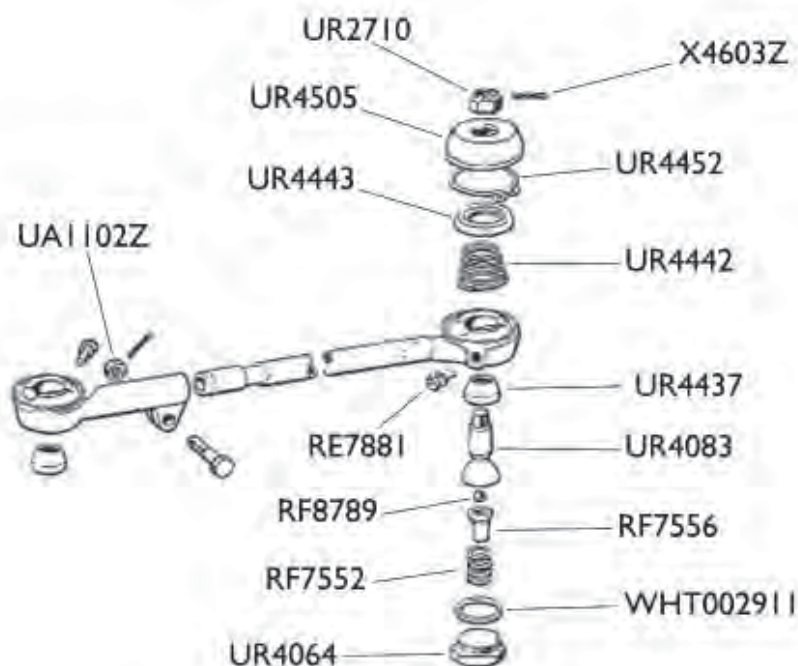
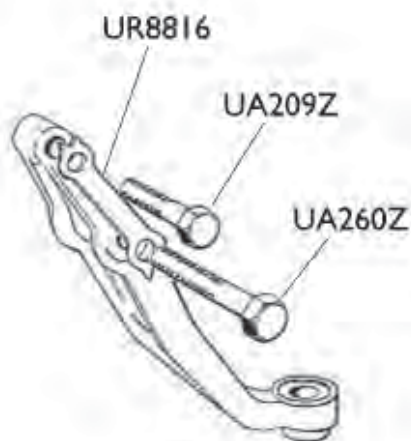


ALL DIAGRAMS REPRODUCED WITH KIND PERMISSION OF BENTLEY MOTORS LIMITED - COPYRIGHT OF BENTLEY MOTORS LIMITED

STEERING LINKAGE - SERIES 2 & 3 MODELS

TRACK RODS

STEERING PIN	UR4083P
SEAT	UR4437
BOOT	UR4505
CUPPED WASHER	UR4443
SPRING LARGE	UR4442P
CLIP FOR BOOT	UR4452P
BALL BEARING	RF8789
SEAT (Spring)	RF7556P
SPRING BALL JOINT	RF7552P
WASHER, ALUMINIUM, 1.250", BALL PIN	WHT002911
NUT	UR2710
SPLIT PIN (0.062")	X4603Z
LOCKTAB FOR STEERING ARM	UR8816P
BOLT	UA209Z
BOLT	UA260Z
GREASE NIPPLE	RE7881
PLUG	UR4064
CASTELLATED NUT (0.3125 UNF)	UA1102Z
GREASE GUN	GREASEGUN
GREASE GUN ATTACHMENT	GREASEGUNEND

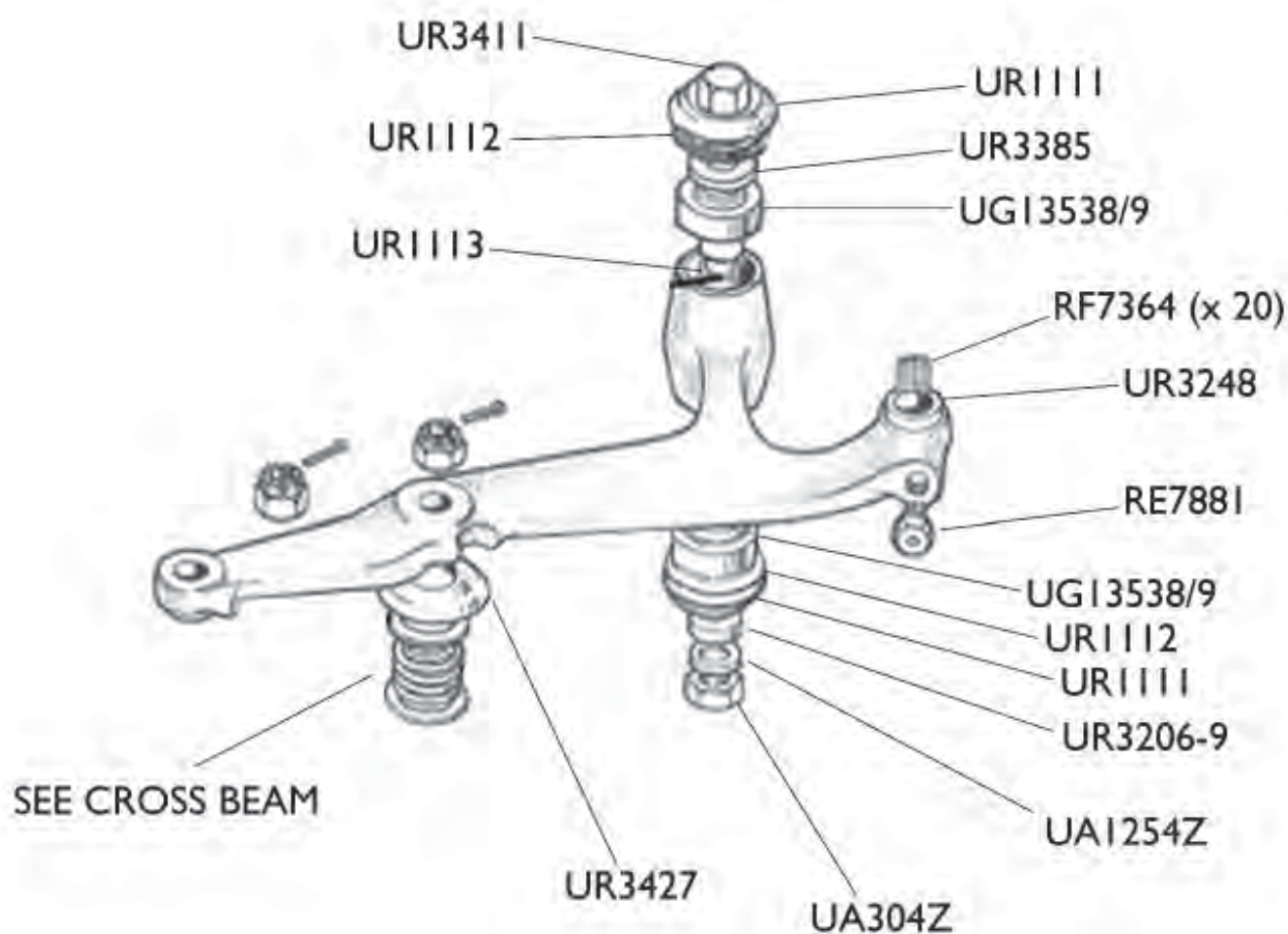


ALL DIAGRAMS REPRODUCED WITH KIND PERMISSION OF BENTLEY MOTORS LIMITED - COPYRIGHT OF BENTLEY MOTORS LIMITED

STEERING LINKAGE - SERIES 2 & 3 MODELS

CENTRE STEERING LEVER

PIN (Centre steering lever)	UR3411P
RETAINER (Centre steering idler pin)	UR1111
SEALING RING CENTRE LEVER PIN	UR1112
WASHER	UR3385
BEARING	UG13538/9P
DISTANCE TUBE	UR1113
ADJUSTING WASHER (0.100" - For steering centre lever pin)	UR3206
WASHER (0.453")	UA1254ZP
NUT	UA304ZP
ROLLER BEARING (Centre steering lever)	UR3248
NEEDLE ROLLER	RF7364P

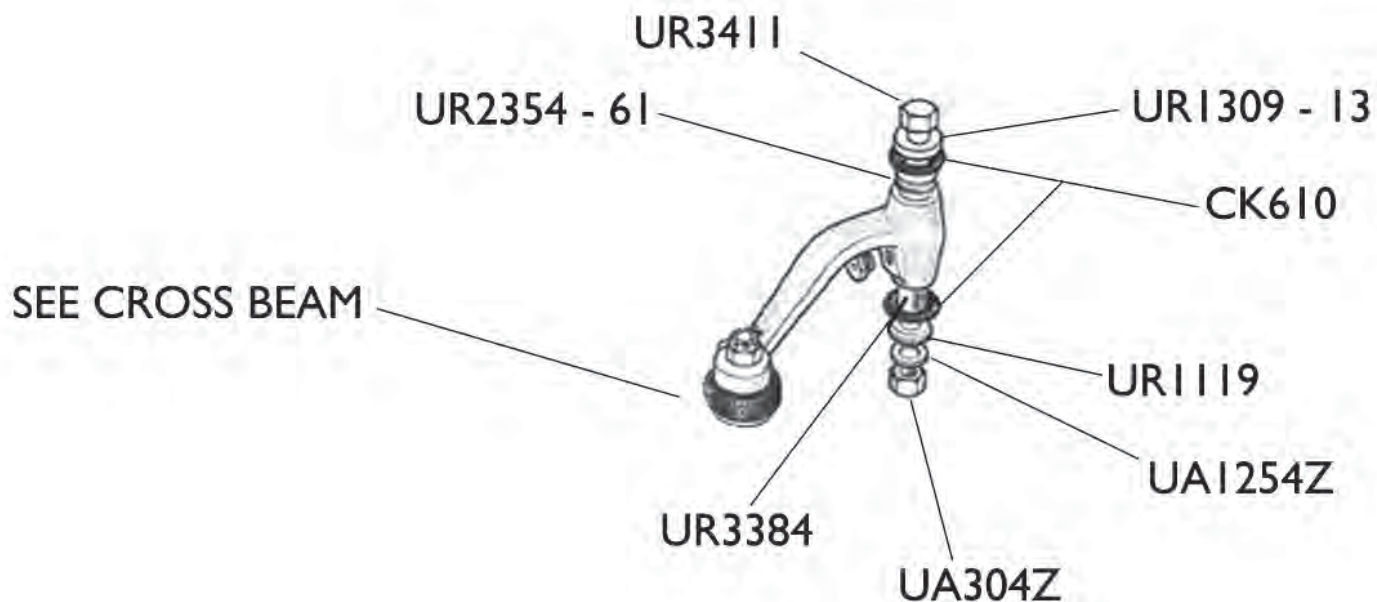


ALL DIAGRAMS REPRODUCED WITH KIND PERMISSION OF BENTLEY MOTORS LIMITED - COPYRIGHT OF BENTLEY MOTORS LIMITED

STEERING LINKAGE - SERIES 2 & 3 MODELS

IDLER LEVER

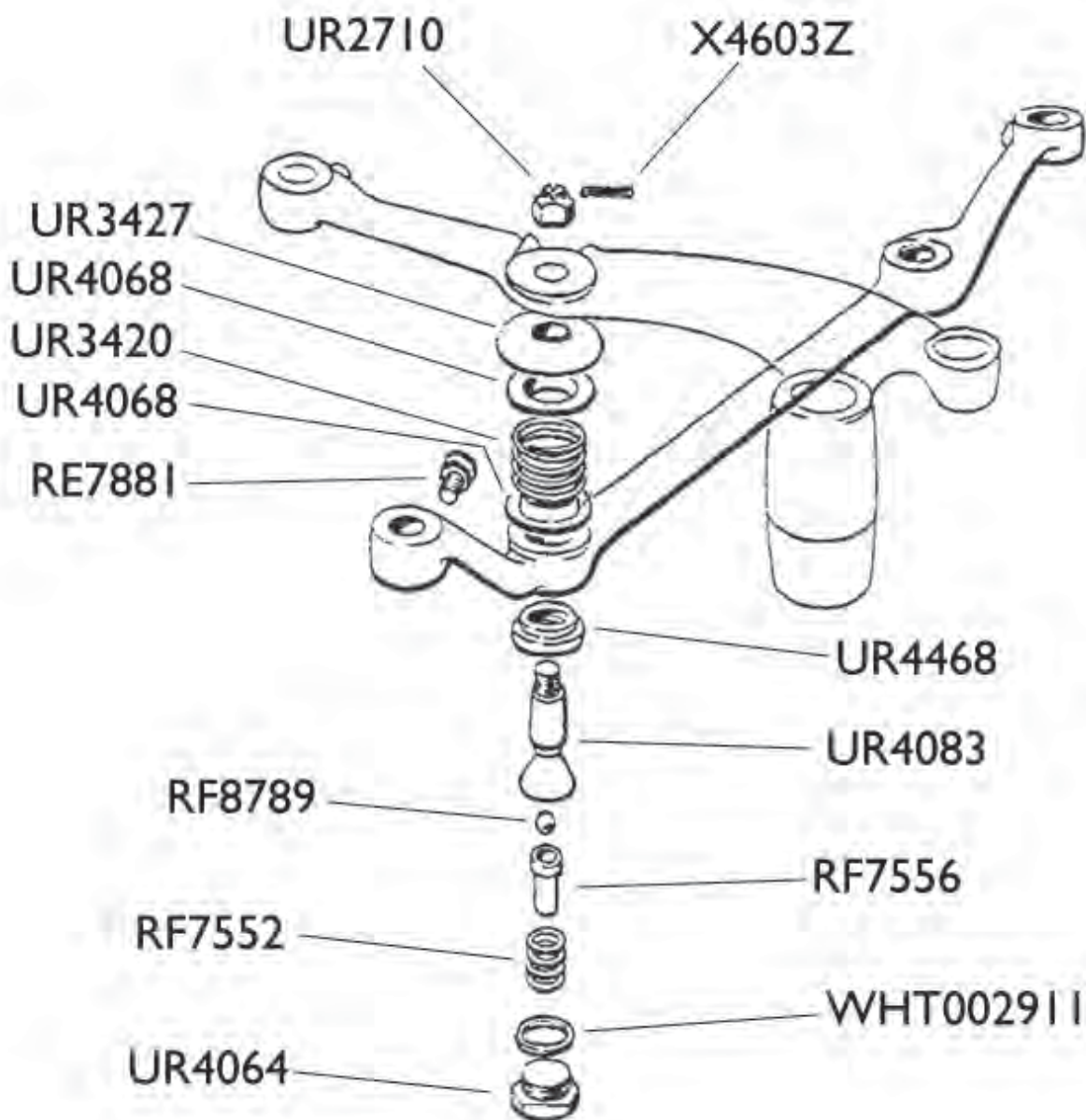
PIN (Centre steering lever)	UR3411P
UPPER ADJUSTING WASHER (0.105" - Idler pin)	UR1309
SEALING RING	CK610P
LOWER ADJUSTING WASHER (0.030" - Idler pin)	UR2354
DISTANCE PIECE	UR3384
RETAINING WASHER (For oil seal)	UR1119P
WASHER (0.453")	UA1254ZP
NUT	UA304ZP
GREASE NIPPLE	RE7881



STEERING LINKAGE - SERIES 2 & 3 MODELS

CROSS BEAM

STEERING PIN	UR4083P
STEERING PIN SEAT	UR4468
RUBBER BOOT	UR3427P
SPRING LARGE	UR3420
SEAT (Spring)	RF7556P
SPRING BALL JOINT	RF7552P
BALL BEARING	RF8789
WASHER	UR4068
WASHER, ALUMINIUM, 1.250", BALL PIN	WHT002911
PLUG	UR4064



ALL DIAGRAMS REPRODUCED WITH KIND PERMISSION OF BENTLEY MOTORS LIMITED - COPYRIGHT OF BENTLEY MOTORS LIMITED

STEERING LINKAGE - SERIES 2 & 3 MODELS

DRAG LINK

STEERING PIN

SEAT

BOOT

CLIP FOR BOOT

SPRING LARGE

CUPPED WASHER

SPRING BALL JOINT

BALL BEARING

SEAT (Spring)

WASHER, ALUMINIUM, 1.250", BALL PIN

NUT

PLUG

GREASE NIPPLE

UR4083P

UR4437

UR4505

UR4452P

UR4442P

UR4443

RF7552P

RF8789

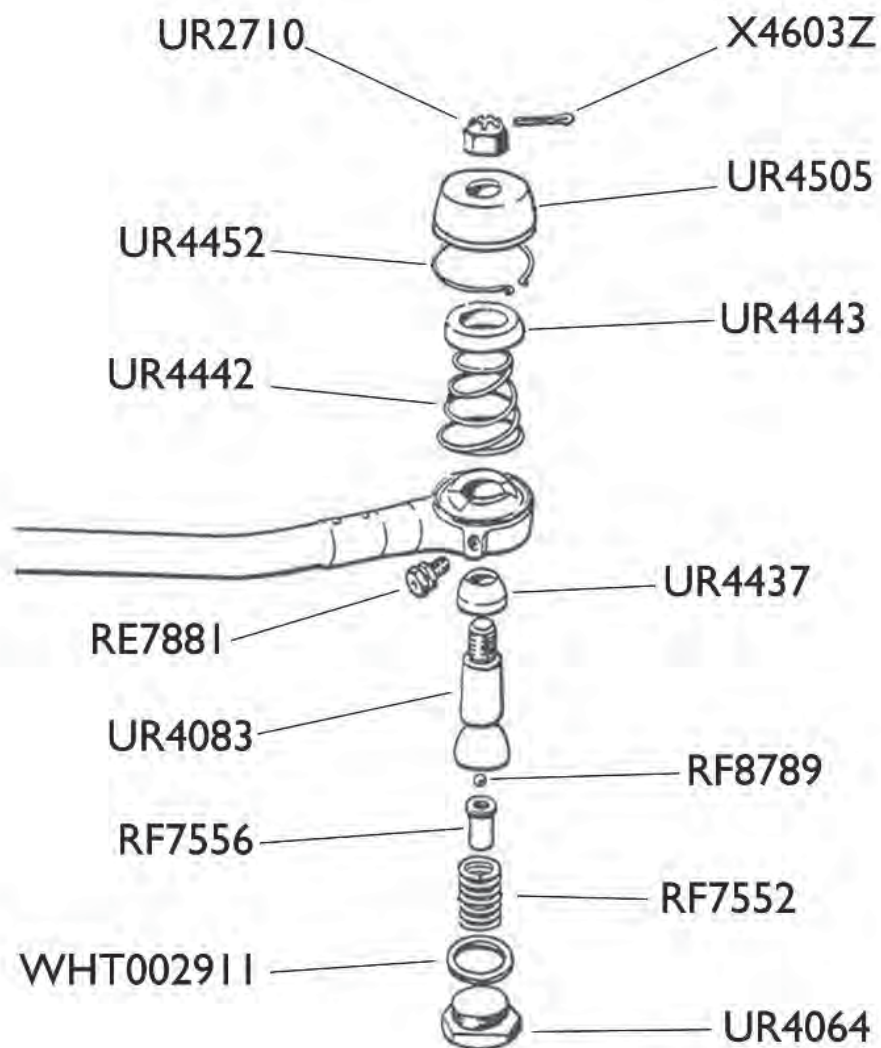
RF7556P

WHT002911

UR2710

UR4064

RE7881

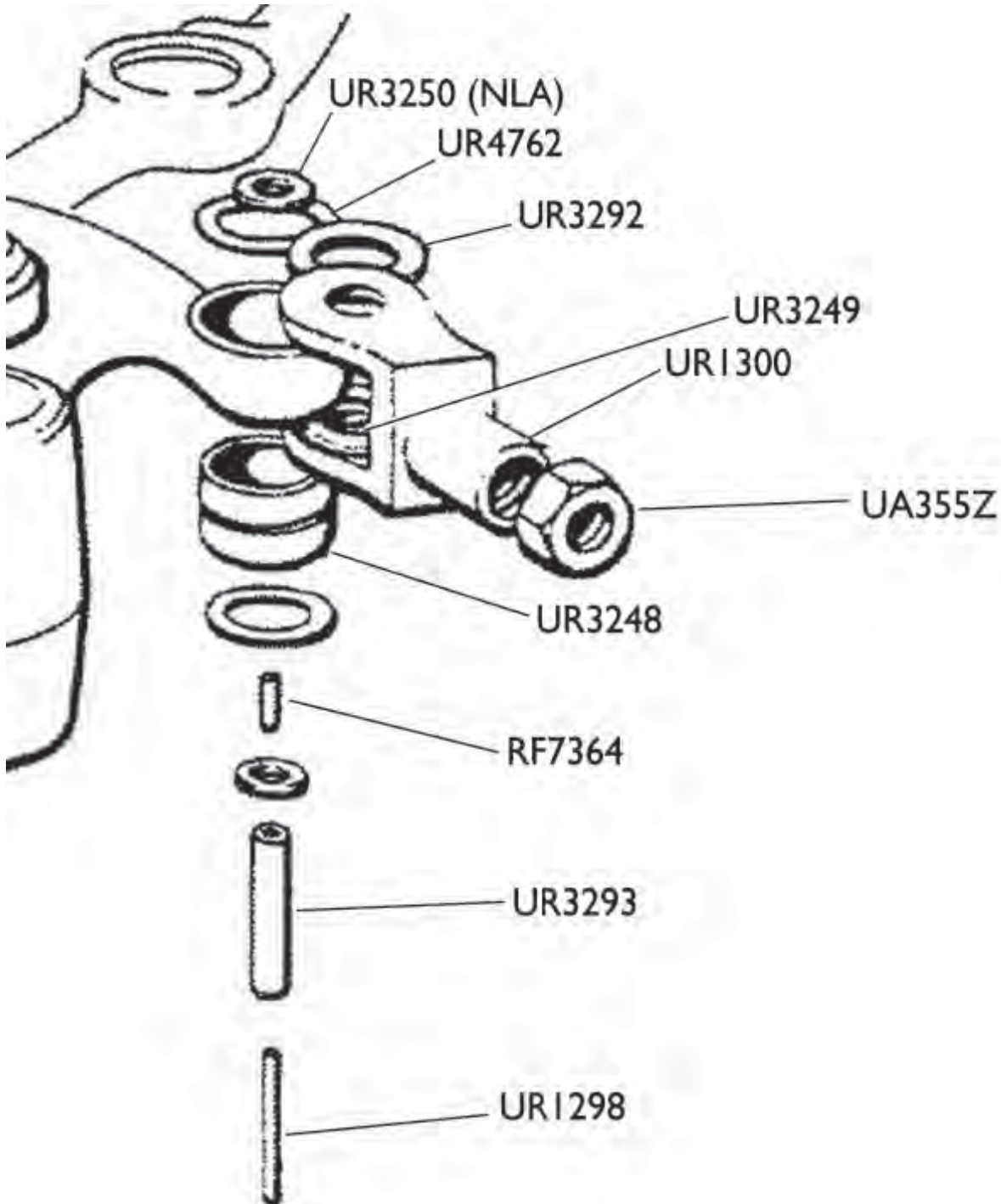


ALL DIAGRAMS REPRODUCED WITH KIND PERMISSION OF BENTLEY MOTORS LIMITED - COPYRIGHT OF BENTLEY MOTORS LIMITED

STEERING RAM - SERIES 2 & 3 MODELS

RAM TO CENTRE LEVER LINKAGE

SEALING RING (Steering ram jaw - 2 required)	UR4762
JAW (Power steering ram to centre steering lever)	UR1300
SPACING WASHER (Power steering ram jaw)	UR3249
WASHER (Power steering ram jaw sealing ring)	UR3292
CONNECTING PIN (Power steering ram jaw)	UR1298
TUBULAR RIVET (Power steering ram jaw)	UR3293

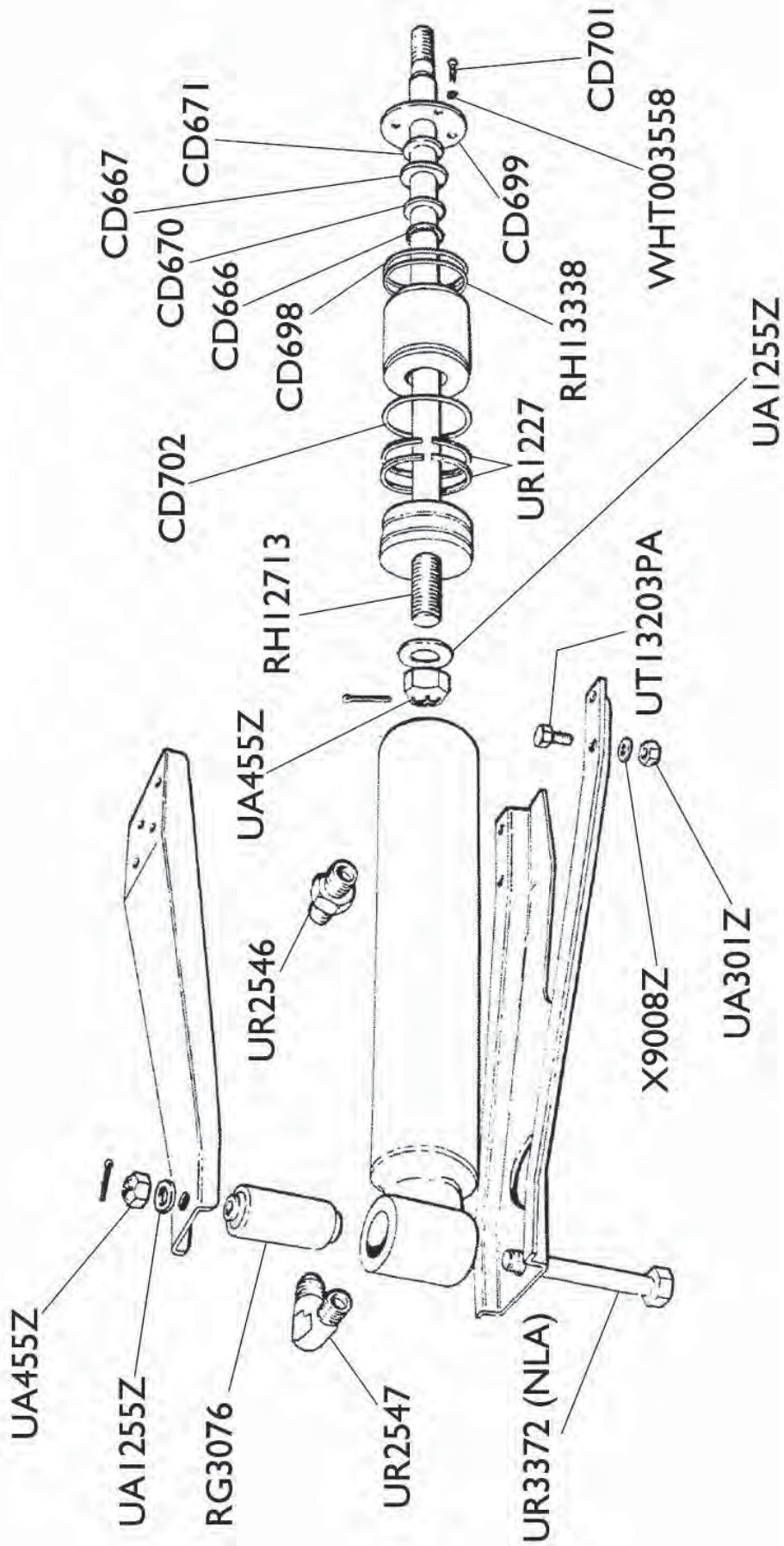


STEERING RAM - SERIES 2 & 3 MODELS

MAIN RAM

POWER STEERING RAM (RHD - Series 2 & Early Series 3 Models)	UR3252SXR
POWER STEERING RAM (LHD- Series 2 & Early Series 3 Models)	UR3251SXR
POWER STEERING RAM (RHD - Mid-range Series 3 Models)	UR8016SXR
POWER STEERING RAM (LHD - Mid-range Series 3 Models)	UR8017SXR
POWER STEERING RAM (RHD - Late Series 3 Models)	UR8722SXR
POWER STEERING RAM (LHD - Late Series 3 Models)	UR8721SXR
STEERING RAM O RING KIT	RAMORINGKIT
STEERING RAM REBUILD KIT	RAMKIT
STEERING RAM SEAL	CD666P
WASHER	CD667P
WASHER (Steering ram)	CD670P
O RING	CD702P
SPREADER SEAL	RH13338
SCRAPER RING (Steering ram)	CD671
PISTON RING (Steering ram)	UR1227
SILENTBLOC BUSH	RG3076
RETAINING RING (Steering ram) (CD698)	CD698
CASTELLATED NUT (0.5")	UA455Z
WASHER PLAIN .515 DIA (OE)	UA1255Z
BOLT (0.250 UNF x 0.625" long)	UT13203PA
NUT	UA301ZP

STEERING RAM - SERIES 2 & 3 MODELS

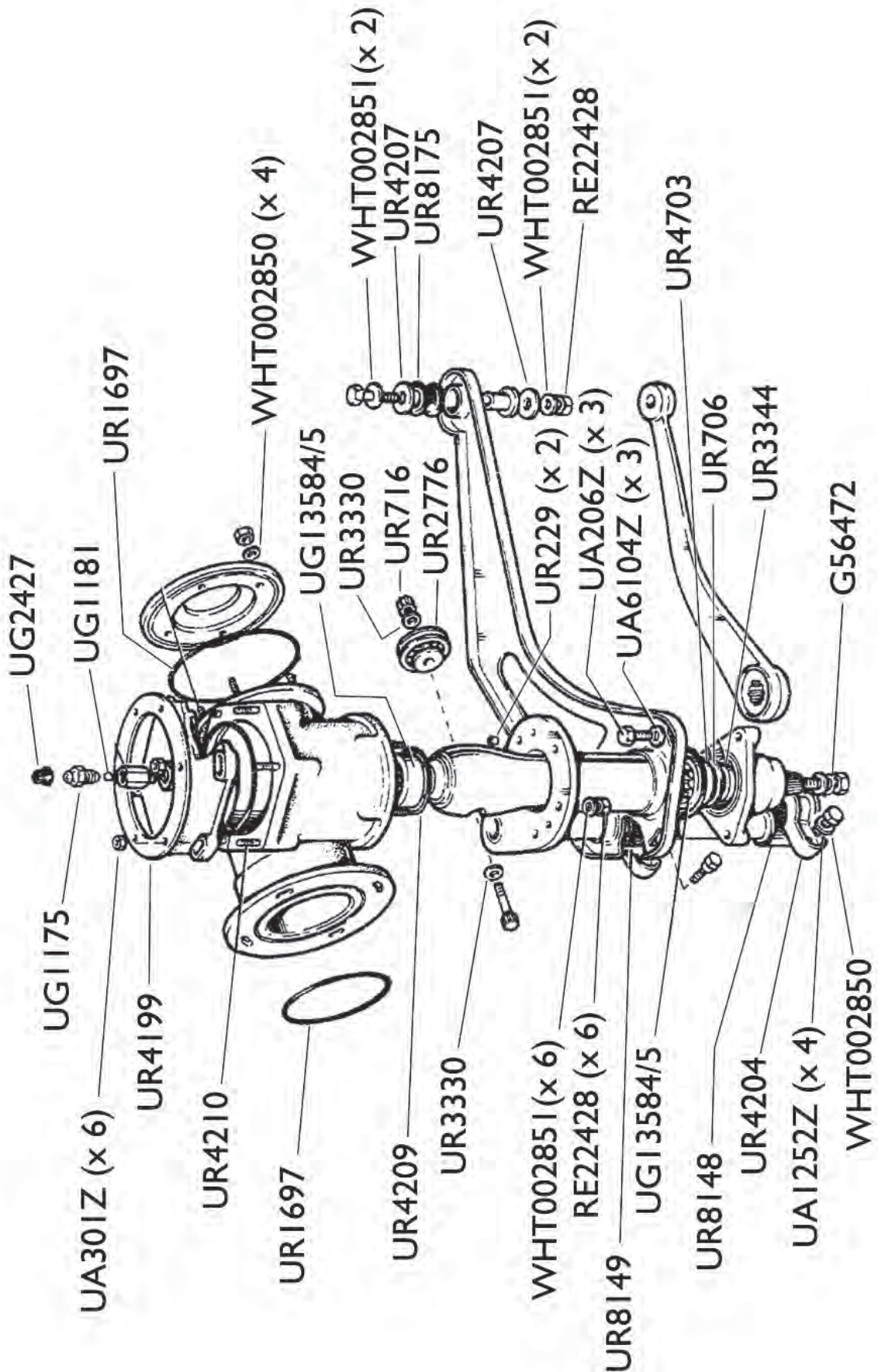


ALL DIAGRAMS REPRODUCED WITH KIND PERMISSION OF BENTLEY MOTORS LIMITED - COPYRIGHT OF BENTLEY MOTORS LIMITED

STEERING BOX - SERIES 2 & 3 MODELS

POWER STEERING BOX (RHD Series 2 models)	RH2131SXR
POWER STEERING BOX (Early RHD Series 3 models)	RH2271SXR
POWER STEERING BOX (Late RHD Series 3 models)	RH2265SXR
POWER STEERING BOX (All LHD Series 2 & 3 models)	RH2266R
STEERING BOX MOUNT	UR8148P
STEERING BOX MOUNT	UR8149P
STEERING BOX MOUNT	UR8175
OIL SEAL (Rocking shaft to pendulum lever)	UR3344
LOCKTAB	G56472P
SEALING RING (Rocking shaft to pendulum lever)	UR4703
SEALING RING (Upper & lower spool valve)	UR1697P
SEALING RING STEERING BOX	UR4210
SEALING RING STEERING BOX	UR4209
COUPLING & DISTANCE PIECE (Steering column inner tube)	UR3120/21P
DUST COVER (Bleed nipple)	UG2427
BRAKE BLEED SCREW	UG1175P
WASHER (Steering box top cover)	UR4199
NUT	UA3012P
WASHER	WHT002850
BEARING ROLLERS & CAGE (Rocker shaft bearing)	UG13584
BEARING CUP (Rocker shaft bearing)	UG13585
CAM ROLLER	UR2776
NUT (Rocking shaft bolt)	UR716
ADJUSTING WASHER (0.022" Steering box rocking shaft to cam roller)	UR3330
NUT	RE22428P
WASHER	WHT002851P
BOLT	UA206Z
THICK WASHER	UA6104ZP
ADJUSTING WASHER (Lower rocker shaft bearing)	UR706

STEERING BOX - SERIES 2 & 3 MODELS

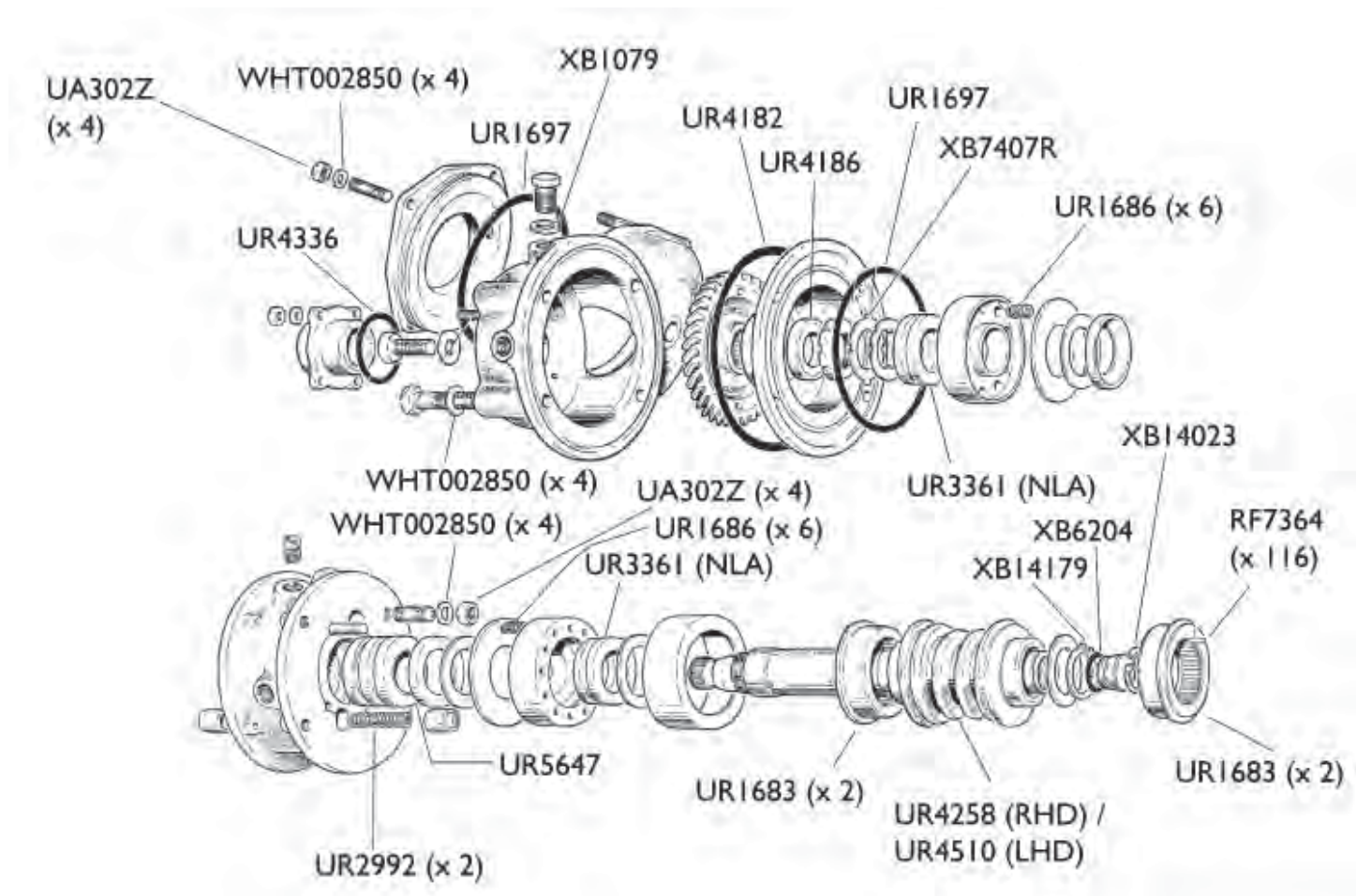


ALL DIAGRAMS REPRODUCED WITH KIND PERMISSION OF BENTLEY MOTORS LIMITED - COPYRIGHT OF BENTLEY MOTORS LIMITED

STEERING BOX - SERIES 2 & 3 MODELS

TRANSFER GEAR & VALVE - SERIES 2 & EARLY SERIES 3 MODELS

SEALING RING (Upper & lower spool valve)	UR1697P
SEALING RING (Gear casing to valve housing adapter)	UR4182
SEALING RING (3rd bearing housing)	UR4336
MAIN OIL SEAL	UR4186
SEALING RING (Steering cam tube plug)	XB6204
INNER BEARING (Lower spool valve)	UR1683
NEEDLE ROLLER	RF7364P
PRIMARY SPRING (Spool valve)	UR2992
SECONDARY SPRING (Spool valve)	UR1686
WASHER	XB1079RP
VALVE	UR5647
LOCKTAB	XB7407R
CIRCLIP	XB14179
WASHER	WHT002850

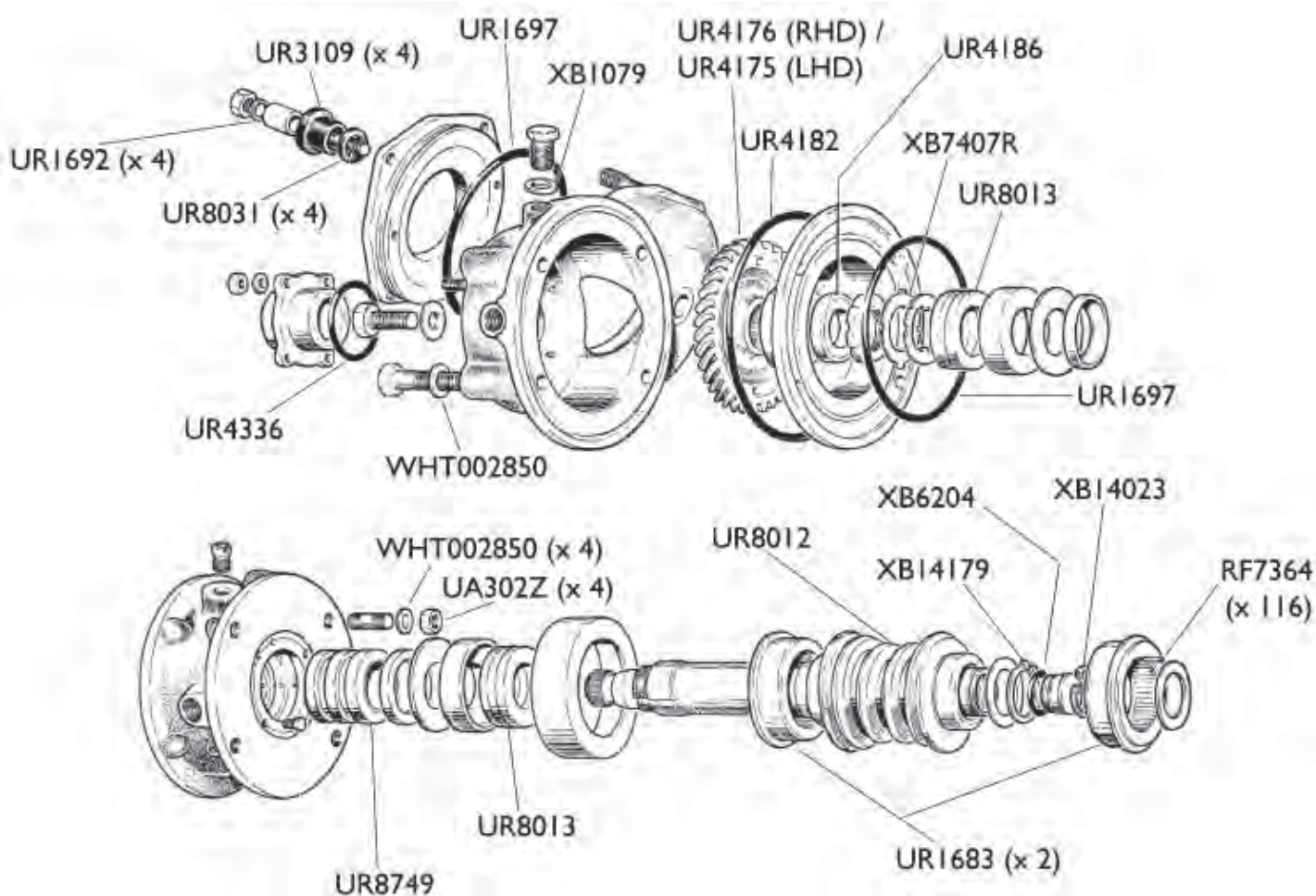


ALL DIAGRAMS REPRODUCED WITH KIND PERMISSION OF BENTLEY MOTORS LIMITED - COPYRIGHT OF BENTLEY MOTORS LIMITED

STEERING BOX - SERIES 2 & 3 MODELS

TRANSFER GEAR & VALVE - LATER SERIES 3 MODELS

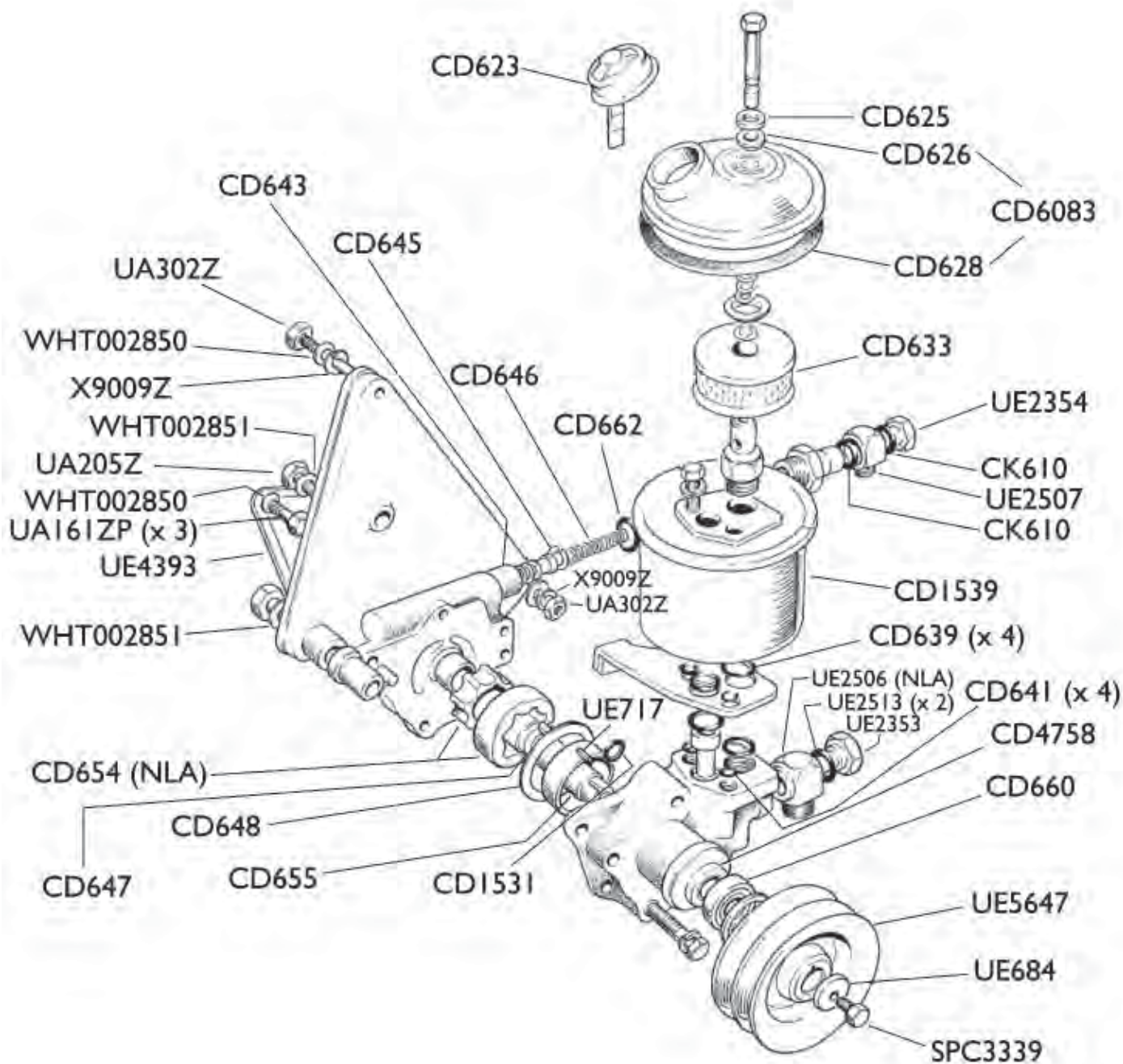
SEALING RING (Upper & lower spool valve)	UR1697P
INNER BEARING (Lower spool valve)	UR1683
SEALING RING (Gear casing to valve housing adapter)	UR4182
TOP COVER BUSH	UR3109
SEALING RING (3rd bearing housing)	UR4336
MAIN OIL SEAL	UR4186
VALVE	UR5647
CIRCLIP	XB14179
STEERING CAM (RHD)	UR8012



STEERING PUMP - SERIES 2 & EARLY SERIES 3 MODELS

POWER STEERING PUMP	RH2658SXR
POWER STEERING PUMP FILTER	CD633P
CAP & DIPSTICK (Steering pump)	CD623
SEAL (Reservoir cap)	CD972
STEERING PUMP LID SEAL	CD628P
WASHER (Reservoir lid stud)	CD625
SEALING RING	CK610P
BANJO O RING	UE2513
O RING (Relief valve)	CD662
SPRING (Relief valve)	CD646
OIL SEAL KIT	CD4758P
DRIVING KEY (Steering pump shaft)	UE717
MAIN SHAFT (Steering pump)	CD655
BALL RACE (Steering pump shaft)	CD660P
O RING (Steering pump shaft)	CD648
O RING LARGE RESERVOIR TO PUMP	CD639
O RING SMALL RESERVOIR TO PUMP	CD641
O RING (Steering pump flow director)	CD1531
POWER STEERING PUMP LID SEAL KIT	CD6083
TRIANGLE GASKET (2 per engine - original paper gasket)	UE4393P
BANJO BOLT (Pump to box hose & Ram hoses)	UE2354
BANJO (Feed hose & Ram hoses)	UE2507
BANJO BOLT (Return hose from box to pump)	UE2353
SETSCREW (Pulley to pump)	SPC3339
BOLT	UA161ZPP
WASHER	WHT002850
SPRING WASHER	X9009ZP
WASHER	WHT002851P
RESERVOIR (Power steering pump)	CD1539

STEERING PUMP - SERIES 2 & EARLY SERIES 3 MODELS

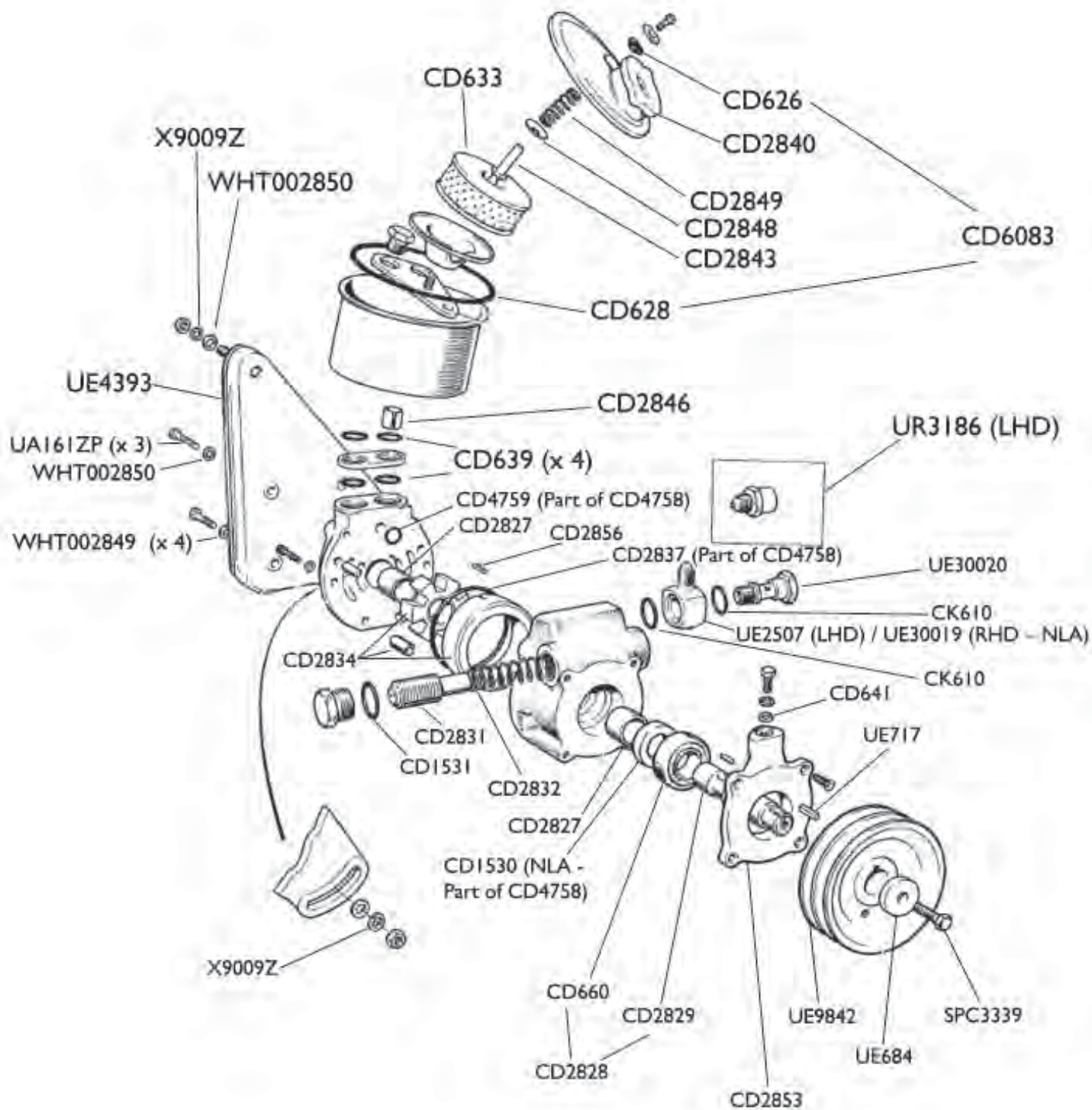


STEERING PUMP - LATE SERIES 3 MODELS

On the later Series 3 models, the low pressure fluid return hose fits directly onto the pump reservoir

POWER STEERING PUMP ASSEMBLY	RH2657R
RECONDITIONED POWER STEERING PUMP BODY	UE9846SXR
POWER STEERING PUMP FILTER	CD633P
STEERING PUMP LID SEAL	CD628P
O RING LARGE RESERVOIR TO PUMP	CD639
SEALING RING	CK610P
SHAFT (Steering pump)	CD2829
BALL RACE (Steering pump shaft)	CD660P
CAM KIT (Steering pump)	CD2834
BYPASS O RING	CD4759
O RING (Steering pump flow director)	CD1531
OIL SEAL KIT	CD4758P
DRIVING KEY (Steering pump shaft)	UE717
SPRING (Steering pump central flow valve)	CD2832
BUSH (Main shaft)	CD2827
FILLER CAP (Steering pump)	CD2840
O RING (Steering pump body to cover)	CD2837
POWER STEERING PUMP LID SEAL KIT	CD6083
O RING SMALL RESERVOIR TO PUMP	CD641
TRIANGLE GASKET (2 per engine - original paper gasket)	UE4393P
BANJO BOLT (Steering pump outlet)	UE30020
BANJO (Feed hose & Ram hoses)	UE2507
END PLATE	CD2853
WASHER	WHT002851P
EXHAUST MANIFOLD BOLT	UA161ZPP
SETSCREW (Pulley to pump)	SPC3339
WASHER	WHT002849P
WASHER	WHT002850
SPRING WASHER	X9009ZP


STEERING PUMP - LATE SERIES 3 MODELS



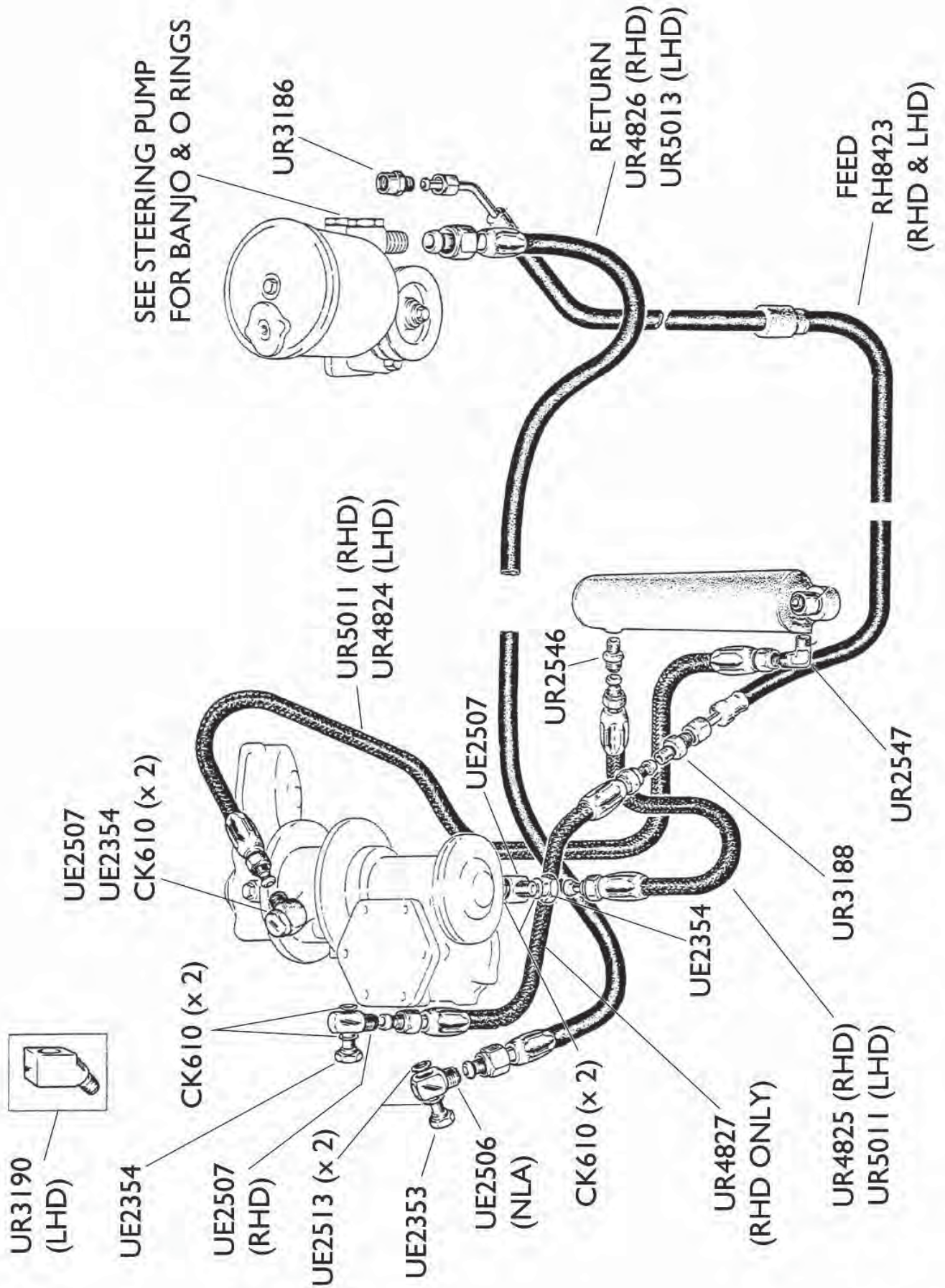
ALL DIAGRAMS REPRODUCED WITH KIND PERMISSION OF BENTLEY MOTORS LIMITED - COPYRIGHT OF BENTLEY MOTORS LIMITED

STEERING HOSES - SERIES 2 & EARLY SERIES 3 MODELS

ADAPTER (Steering pump to feed hose)	UR3186
STEERING HOSE (Feed from pump to box)	RH8423P
CONNECTOR (Steering hose)	UR3188
STEERING HOSE EXTENSION (Feed from pump to box - RHD only)	UR4827
BANJO (Feed hose & Ram hoses)	UE2507
BANJO (LHD - Feed from pump to box)	UR3190
BANJO BOLT (Pump to box hose & Ram hoses)	UE2354
SEALING RING	CK610P
STEERING RAM HOSE	UR5011
STEERING RAM HOSE	UR4824
STEERING RAM HOSE	UR4825
BANJO BOLT (Return hose from box to pump)	UE2353
BANJO O RING	UE2513
STEERING HOSE (RHD - Return from box to pump)	UR4826
STEERING HOSE (LHD - Return from box to pump)	UR5013



STEERING HOSES - SERIES 2 & EARLY SERIES 3 MODELS



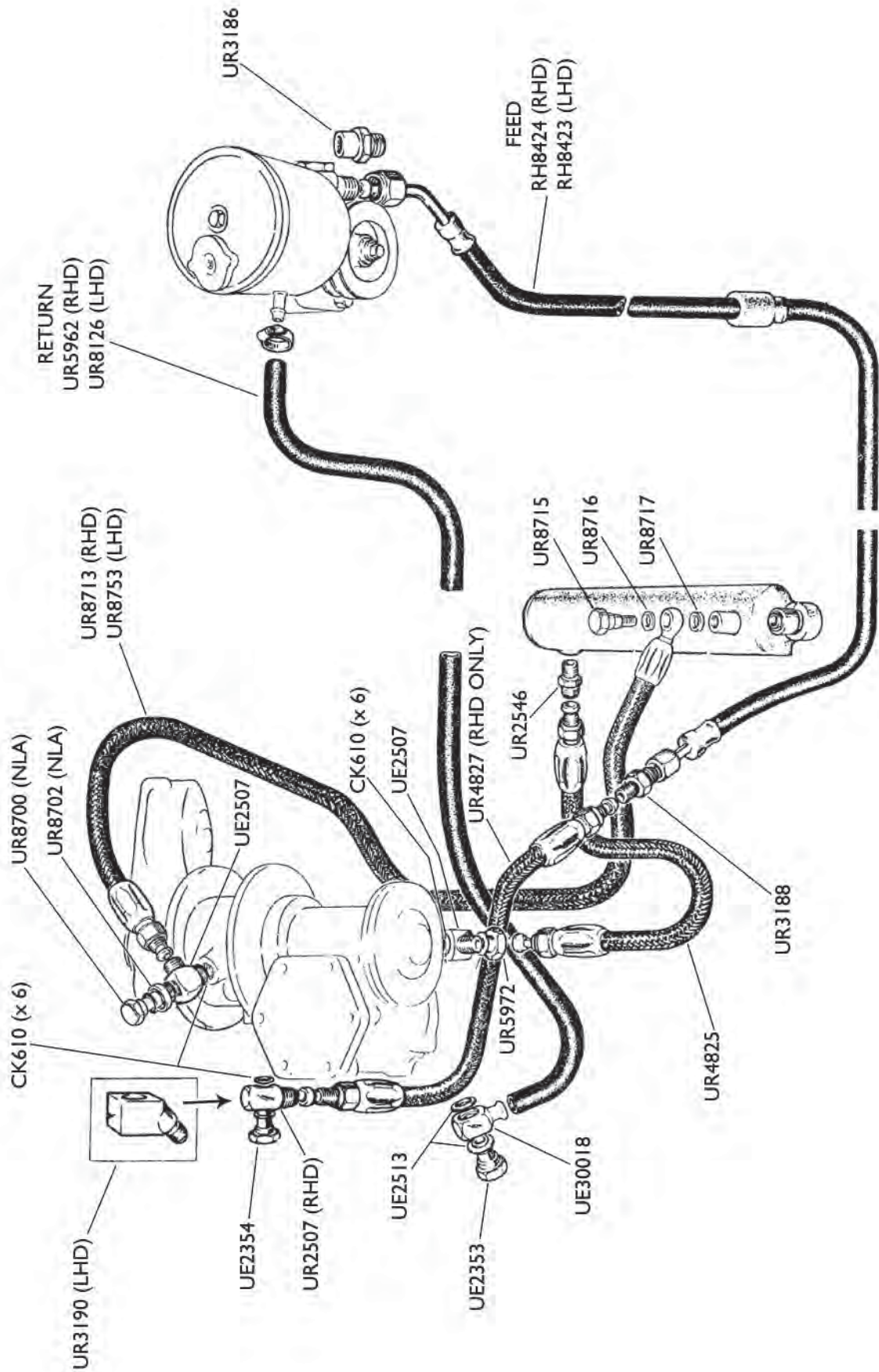
ALL DIAGRAMS REPRODUCED WITH KIND PERMISSION OF BENTLEY MOTORS LIMITED - COPYRIGHT OF BENTLEY MOTORS LIMITED

STEERING HOSES - LATER SERIES 3 MODELS

LATER SILVER CLOUD III & S3

ADAPTER (Steering pump to feed hose)	UR3186
STEERING HOSE (RHD - Feed from pump to box)	RH8424P
STEERING HOSE (Feed from pump to box)	RH8423P
CONNECTOR (Steering hose)	UR3188
STEERING HOSE EXTENSION (Feed from pump to box - RHD only)	UR4827
BANJO BOLT (Pump to box hose & Ram hoses)	UE2354
BANJO (Feed hose & Ram hoses)	UE2507
BANJO (LHD - Feed from pump to box)	UR3190
SEALING RING	CK610P
STEERING RAM HOSE	UR8713
STEERING RAM HOSE	UR8753
STEERING RAM HOSE	UR4825
BANJO BOLT (Steering ram front union)	UR8715
UPPER BANJO BOLT WASHER (Steering ram front union)	UR8716
LOWER BANJO BOLT WASHER (Steering ram front union)	UR8717
BANJO O RING	UE2513
BANJO BOLT (Return hose from box to pump)	UE2353
STEERING HOSE (RHD- Return from box to pump)	UR5962
STEERING HOSE (LHD - Return from box to pump)	UR8126

STEERING HOSES - LATER SERIES 3 MODELS



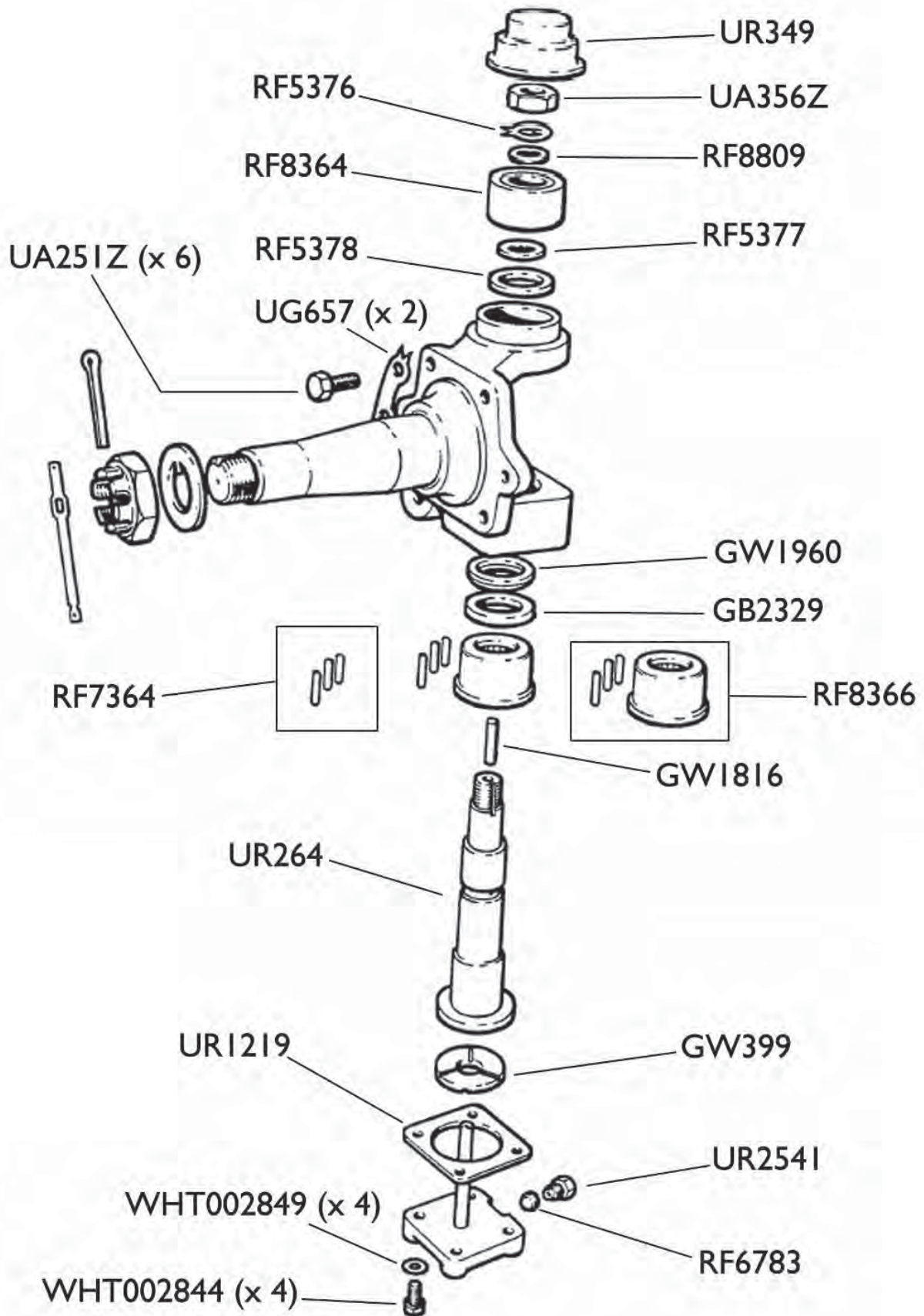
ALL DIAGRAMS REPRODUCED WITH KIND PERMISSION OF BENTLEY MOTORS LIMITED - COPYRIGHT OF BENTLEY MOTORS LIMITED

KING PINS - SERIES 1 MODELS

KING PINS

KING PIN KIT	UR264KIT
KING PIN	UR264P
UPPER BEARING	RF8364P
LOWER BEARING (Including needle rollers)	RF8366P
FELT SEAL, UPPER	RF5378
FELT SEAL, LOWER	GB2329
LOCKTAB	RF5376P
THRUST WASHER BELOW KING PIN	GW399P
RETAINER, FELT SEAL	GW1960
TOP COVER (King pin)	UR349P
LOCKTAB (Stub axle to hub - 2 per hub)	UG657P
DISTANCE PIECE	RF5377P
WASHER	RF8809
NEEDLE ROLLER	RF7364P
COMPRESSION SLEEVE	RF6783
CHASSIS LUBRICATION THREADED BUSH	UR2541
WASHER	WHT002849P
BOLT	WHT002844
LOAN OF KING PIN REMOVAL TOOL	RH568LOAN
OIL RESTRICTION PIN	GW1816

KING PINS - SERIES 1 MODELS



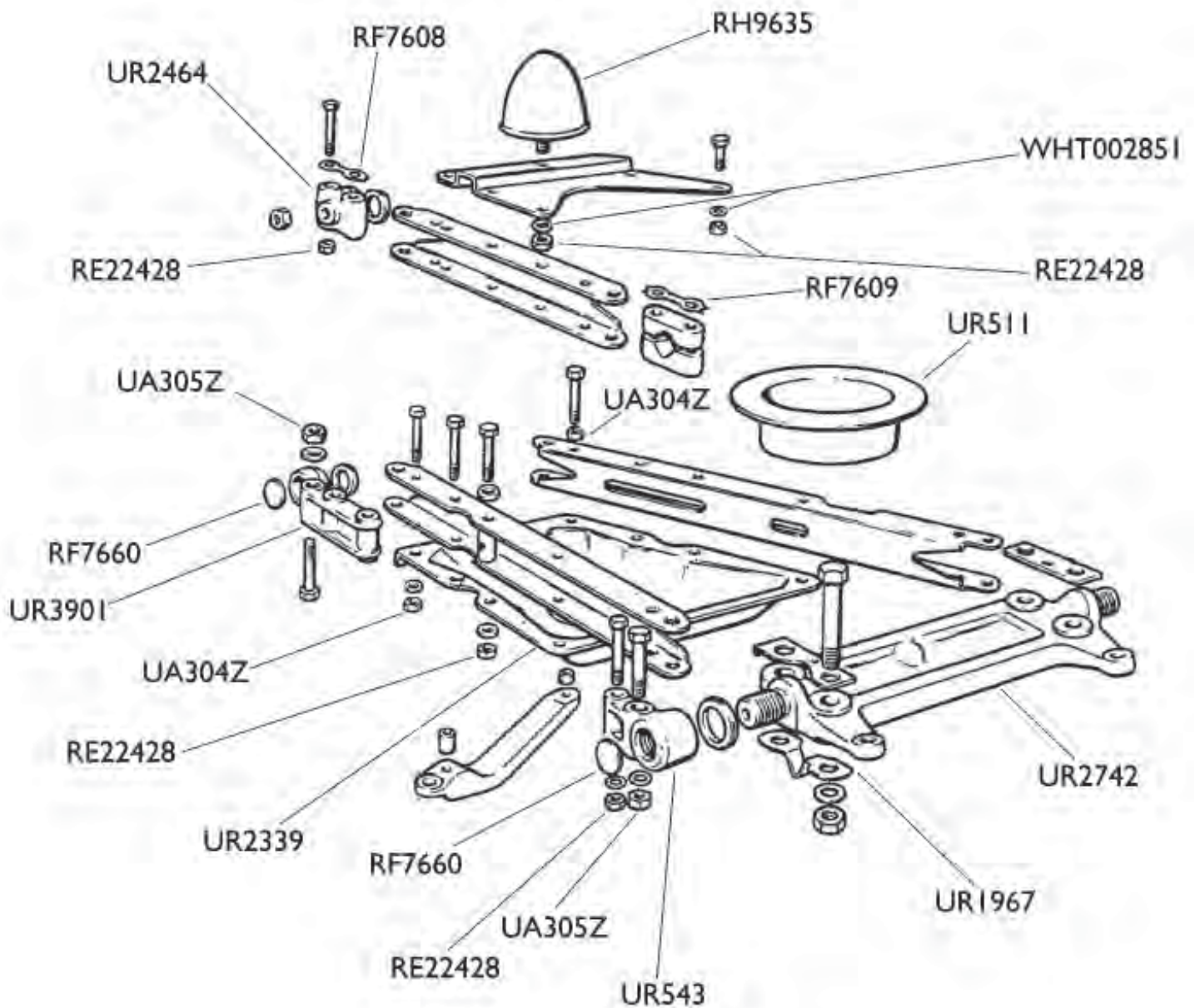
ALL DIAGRAMS REPRODUCED WITH KIND PERMISSION OF BENTLEY MOTORS LIMITED - COPYRIGHT OF BENTLEY MOTORS LIMITED

FRONT TRIANGLE LEVERS - SERIES 1 MODELS

TRIANGLE LEVERS & FULCRUM BRACKETS

FULCRUM BRACKET	UR2742P
LOCKTAB FULCRUM BRACKET (4 per bracket)	UR1967P
BEARING BLOCK INNER LOWER	UR543P
BEARING BLOCK (Outer , lower, 3 bolt)	UR3901P
BEARING BLOCK UPPER	UR2464
BUMP STOP (Single stud - front shock absorber)	RH9635P
BUMP STOP (Triple stud - front suspension)	UR3719P
WASHER	WHT002851P
LOCKTAB (Inner, upper triangle lever)	RF7609P
LOCKTAB (Outer, upper triangle lever)	RF7608P
NUT	RE22428P
FULCRUM PLUG	RF7660
NUT (Plain - 0.500" diameter)	UA305ZP
NUT	UA304ZP

FRONT TRIANGLE LEVERS - SERIES 1 MODELS

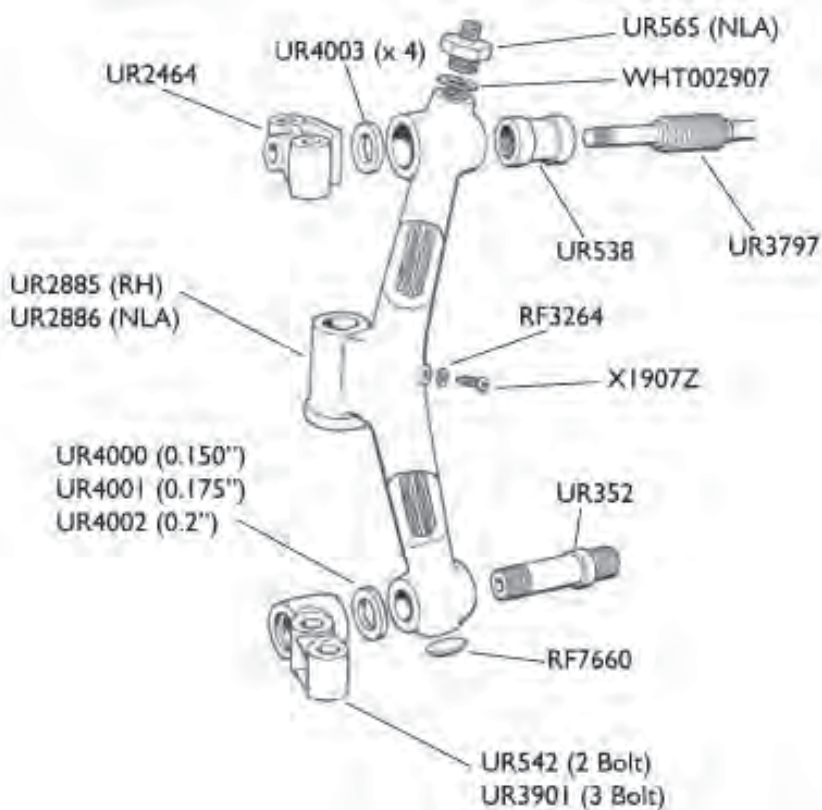


ALL DIAGRAMS REPRODUCED WITH KIND PERMISSION OF BENTLEY MOTORS LIMITED - COPYRIGHT OF BENTLEY MOTORS LIMITED

STEERING YOKE - SERIES 1 MODELS

EARLY MODELS WITH HOLLOW YOKE

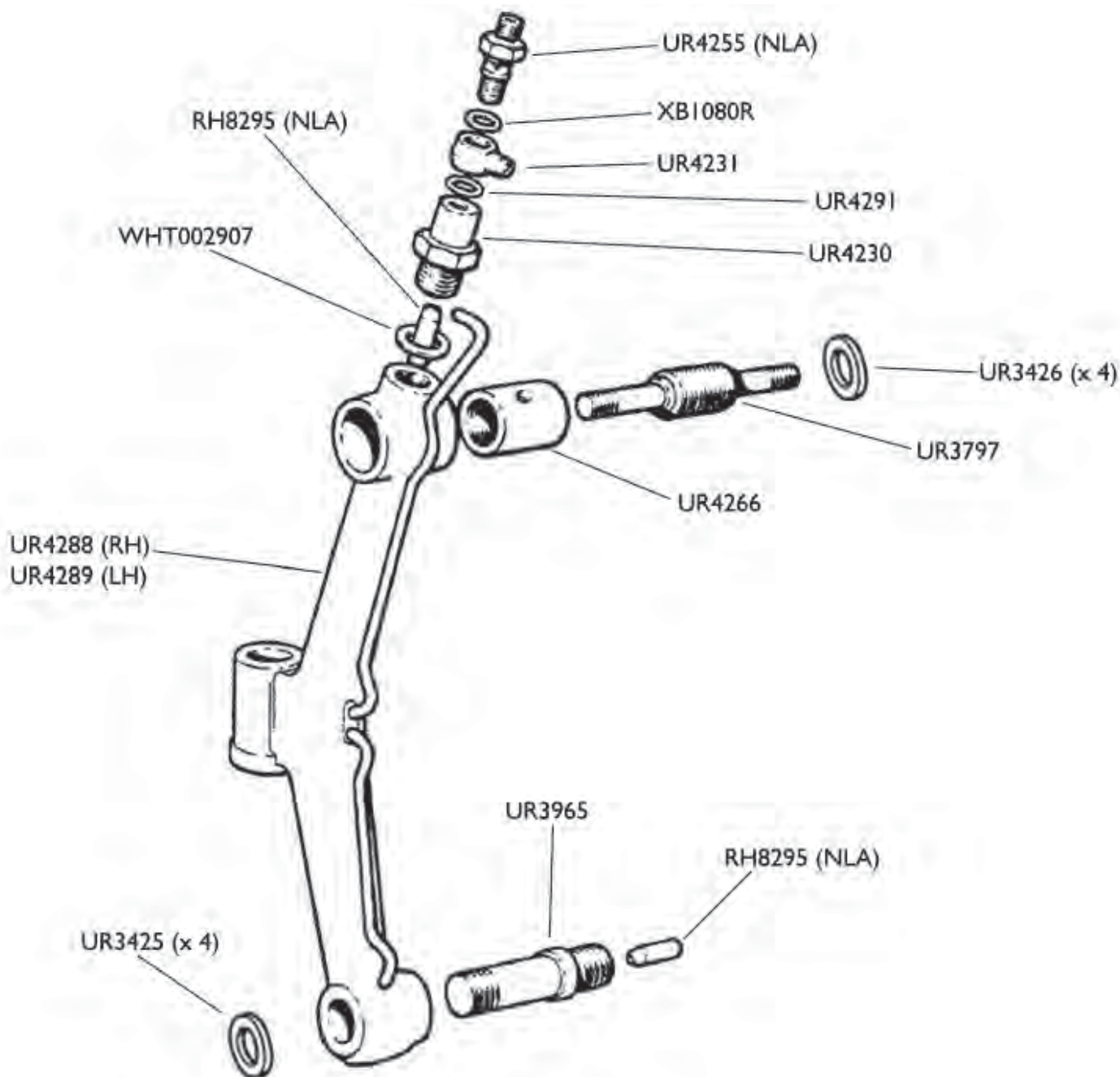
TOP FULCRUM PIN	UR3797
TOP BUSH	UR538
TOP FULCRUM PIN & BUSH	UR3797MPP
SEALING RING (Upper fulcrum pin)	UR4003
SEALING RING (Upper fulcrum pin)	UR4003P
BEARING BLOCK UPPER	UR2464
LOWER FULCRUM PIN	UR352
SEALING RING (0.150" - Lower fulcrum pin)	UR4000
SEALING RING (0.150" - Lower fulcrum pin)	UR4000P
SEALING RING (0.175" - Lower fulcrum pin)	UR4001
SEALING RING (0.175" - Lower fulcrum pin)	UR4001P
SEALING RING (0.200" - Lower fulcrum pin)	UR4002
SEALING RING (0.200" - Lower fulcrum pin)	UR4002P
WASHER (0.750")	WHT002907
SCREW (2BA Cheesehead)	X1907ZPP
FULCRUM PLUG	RF7660
FRONT YOKE LUBRICATION HOSE	UR968P
BEARING BLOCK (Outer , lower, 3 bolt)	UR3901P



STEERING YOKE - SERIES 1 MODELS

LATE MODELS WITH SOLID YOKE

TOP FULCRUM PIN	UR3797
TOP BUSH	UR4266
SEALING RING (Upper fulcrum pin)	UR3426
LOWER FULCRUM PIN	UR3965
SEALING RING (Lower fulcrum pin)	UR3425
BEARING BLOCK (Outer , lower, 3 bolt)	UR3901P
FRONT YOKE LUBRICATION HOSE	UR968P
WASHER	XB1080RP
WASHER (0.750")	WHT002907

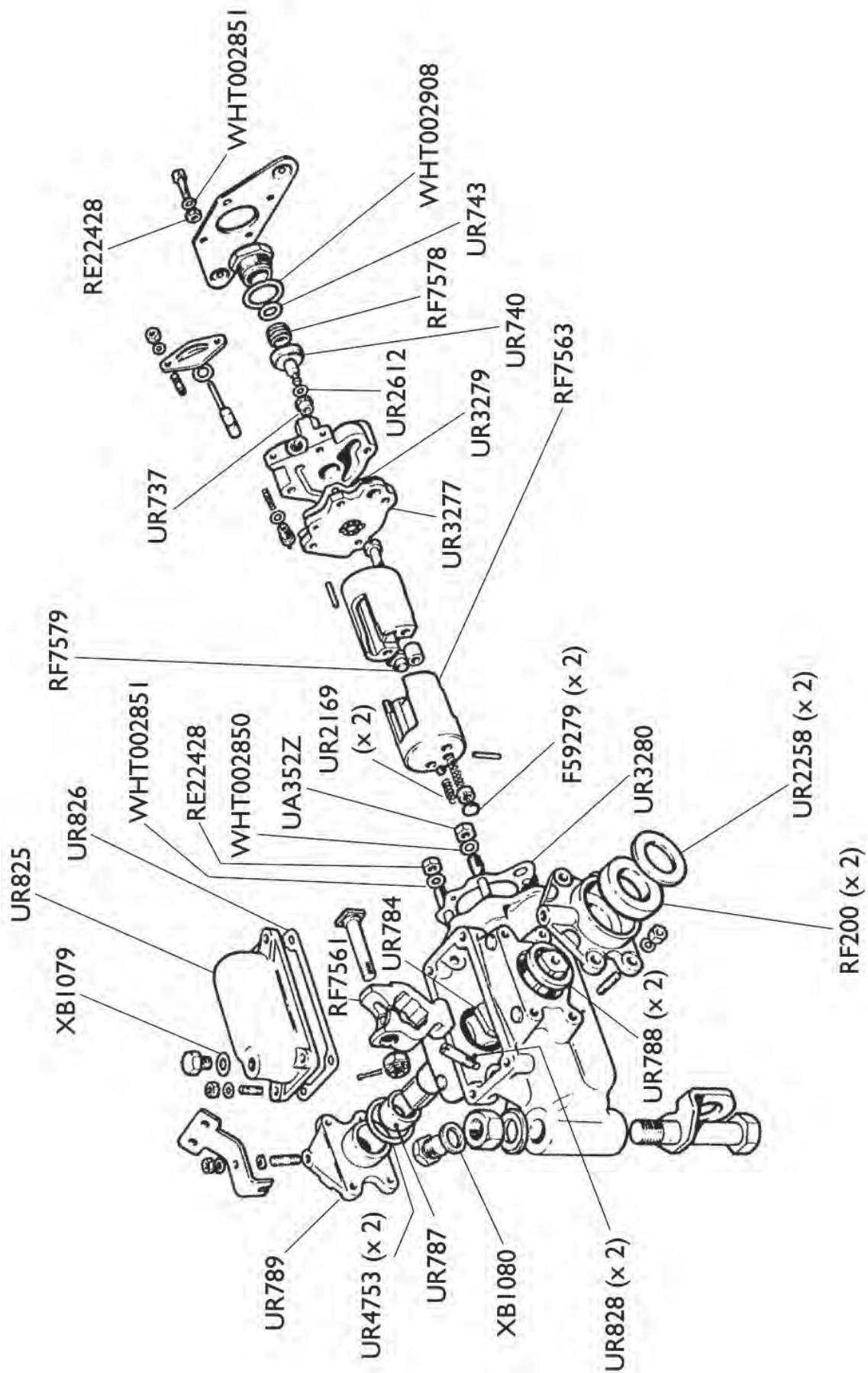


ALL DIAGRAMS REPRODUCED WITH KIND PERMISSION OF BENTLEY MOTORS LIMITED - COPYRIGHT OF BENTLEY MOTORS LIMITED

FRONT SHOCK ABSORBER - SERIES 1 MODELS

FRONT SHOCK ABSORBER	UR4152SXR
BUMP STOP (Single stud - front shock absorber)	RH9635P
MAIN SHAFT (Front shock absorber)	UR784
GLAND SEAL	RF200P
JOINT (Damper valve seat to end cover)	UR3279
GASKET (Top cover)	UR826
BUSH (Damper shaft)	UR787
SEALING RING (Damper shaft)	UR4753
GASKET (Damper body to end plate)	UR3280
BUSH (Damper end cover)	UR737
VALVE ASSEMBLY (High & low pressure)	UR740
COVER (Front shock absorber)	UR825
ADJUSTING WASHER (0.059" - End plug)	UR743
SPRING (High & low pressure valve)	RF7578
ADJUSTING WASHER (0.030" - Damper valve)	UR2612
SLOW LEAK JET	UR828
THRUST WASHER (Shaft end float)	UR788
WASHER	WHT002850
NUT	RE22428P
WASHER	XB1080RP
WASHER	WHT002908
WASHER	WHT002851P
WASHER	XB1079RP
HALF NUT	UA352ZP
DISC (Piston)	F59279

FRONT SHOCK ABSORBER - SERIES 1 MODELS



ALL DIAGRAMS REPRODUCED WITH KIND PERMISSION OF BENTLEY MOTORS LIMITED - COPYRIGHT OF BENTLEY MOTORS LIMITED

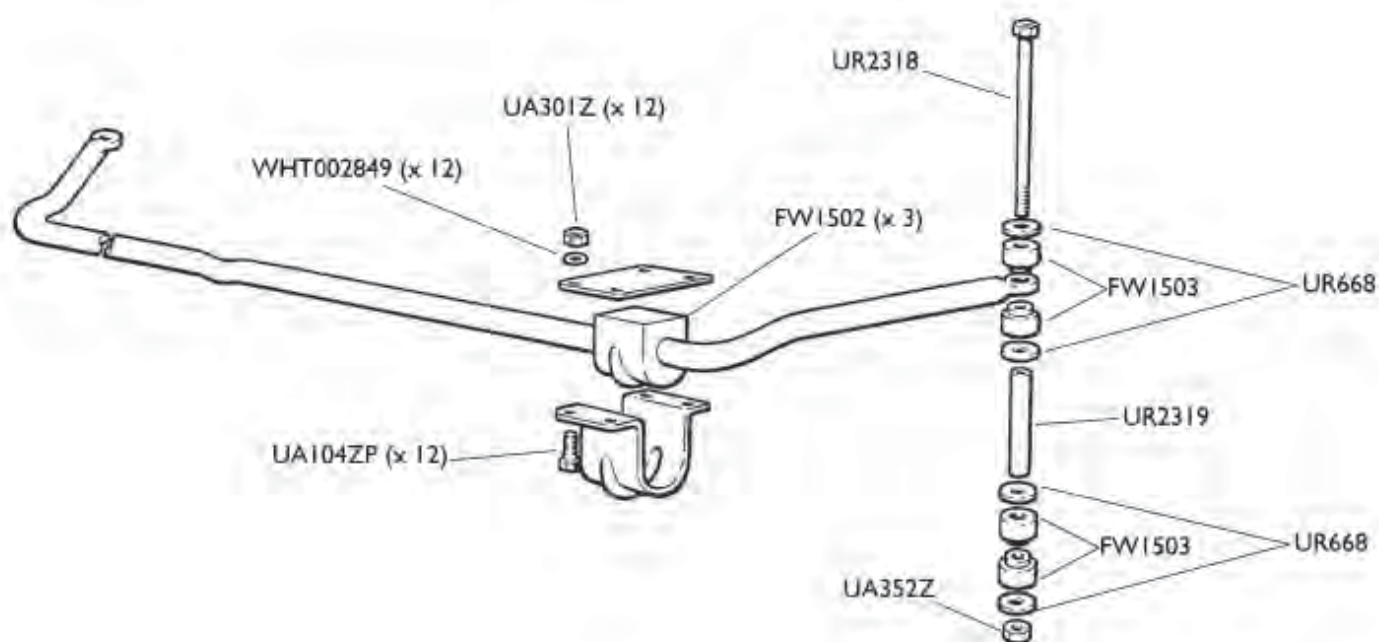
FRONT SUSPENSION - SERIES 1 MODELS

ROAD SPRINGS

FRONT ROAD SPRING	RH13376P
SPRING SEAT	UR511
SPRING SEAT	UR511U
ADJUSTING SHIM (Front road spring)	UR510
12mm THICK ADJUSTING SHIM (Front road spring)	UR510+12P
BUMP STOP (Single stud - front shock absorber)	RH9635P
BUMP STOP (Triple stud - front suspension)	UR3719P

ANTI-ROLL BAR

MAIN ANTI-ROLL BAR BUSH	FW1502P
STUD	UR2318P
ANTI-ROLL BAR LINK RUBBER	FW1503P
WASHER	UR668P
DISTANCE TUBE	UR2319P
HALF NUT	UA352ZP
HARVEY BAILEY HANDLING KIT	HBEKCL
BOLT	UA104ZPP
WASHER	WHT002849P
NUT	UA301ZP

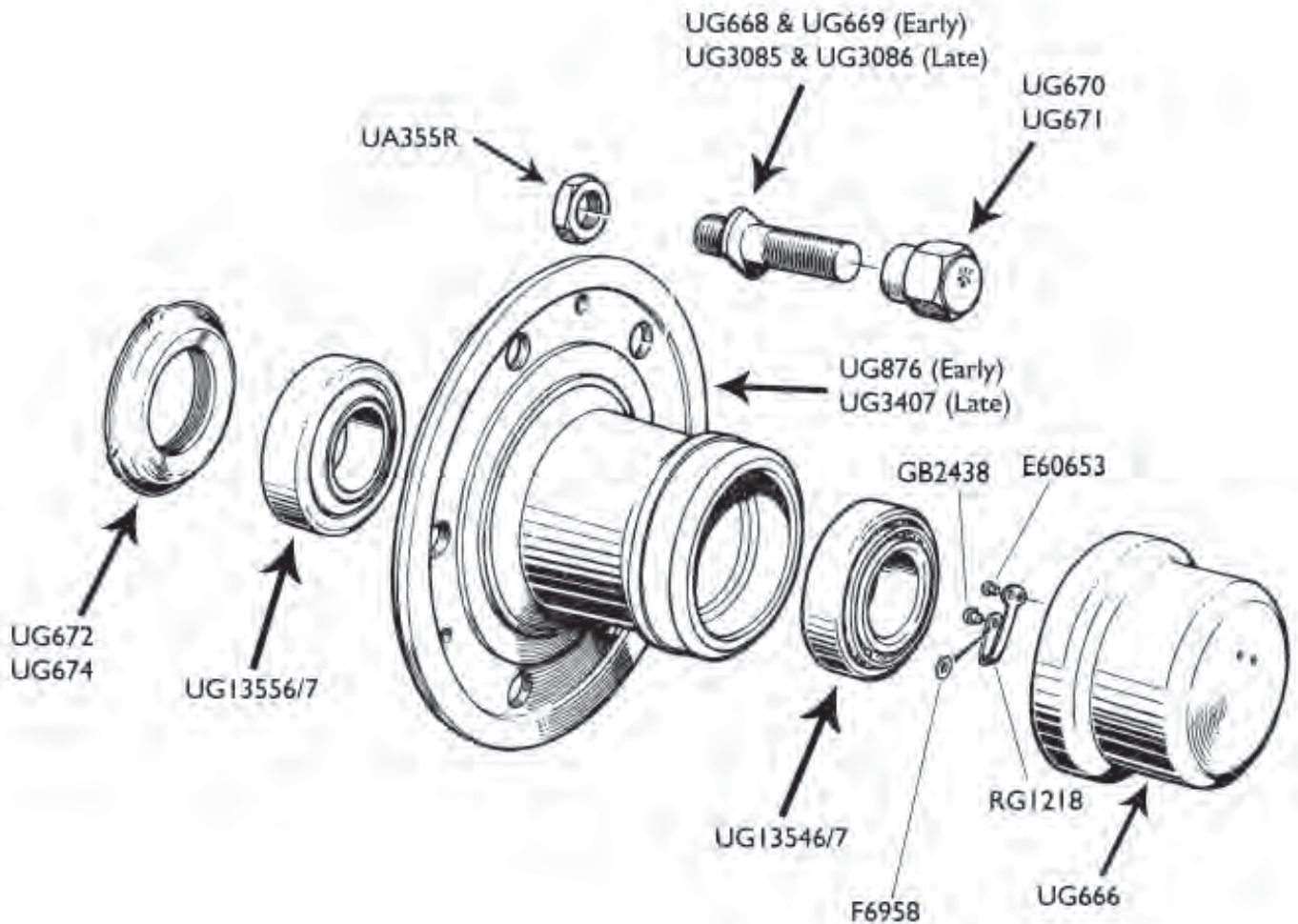


ALL DIAGRAMS REPRODUCED WITH KIND PERMISSION OF BENTLEY MOTORS LIMITED - COPYRIGHT OF BENTLEY MOTORS LIMITED

FRONT HUB - SERIES 1 MODELS

HUB & WHEEL BEARING

WHEEL BEARING, INNER, FRONT HUB	UG13556/7P
WHEEL BEARING, OUTER, FRONT HUB	UG13546/7P
FRONT HUB DUST COVER	UG666P
RH THREADED WHEEL NUT	UG670U
LH THREADED WHEEL NUT	UG671U
GREASE RETAINER (RH front hub)	UG672
GREASE RETAINER (LH front hub)	UG674
BRAKE DRUM RETAINING SCREW	UG673P
RH WHEEL STUD (Early Series 1 models)	UG668
LH WHEEL STUD (Early Series 1 models)	UG669
RH WHEEL STUD (Later Series 1 models)	UG3085
LH WHEEL STUD (Later Series 1 models)	UG3086

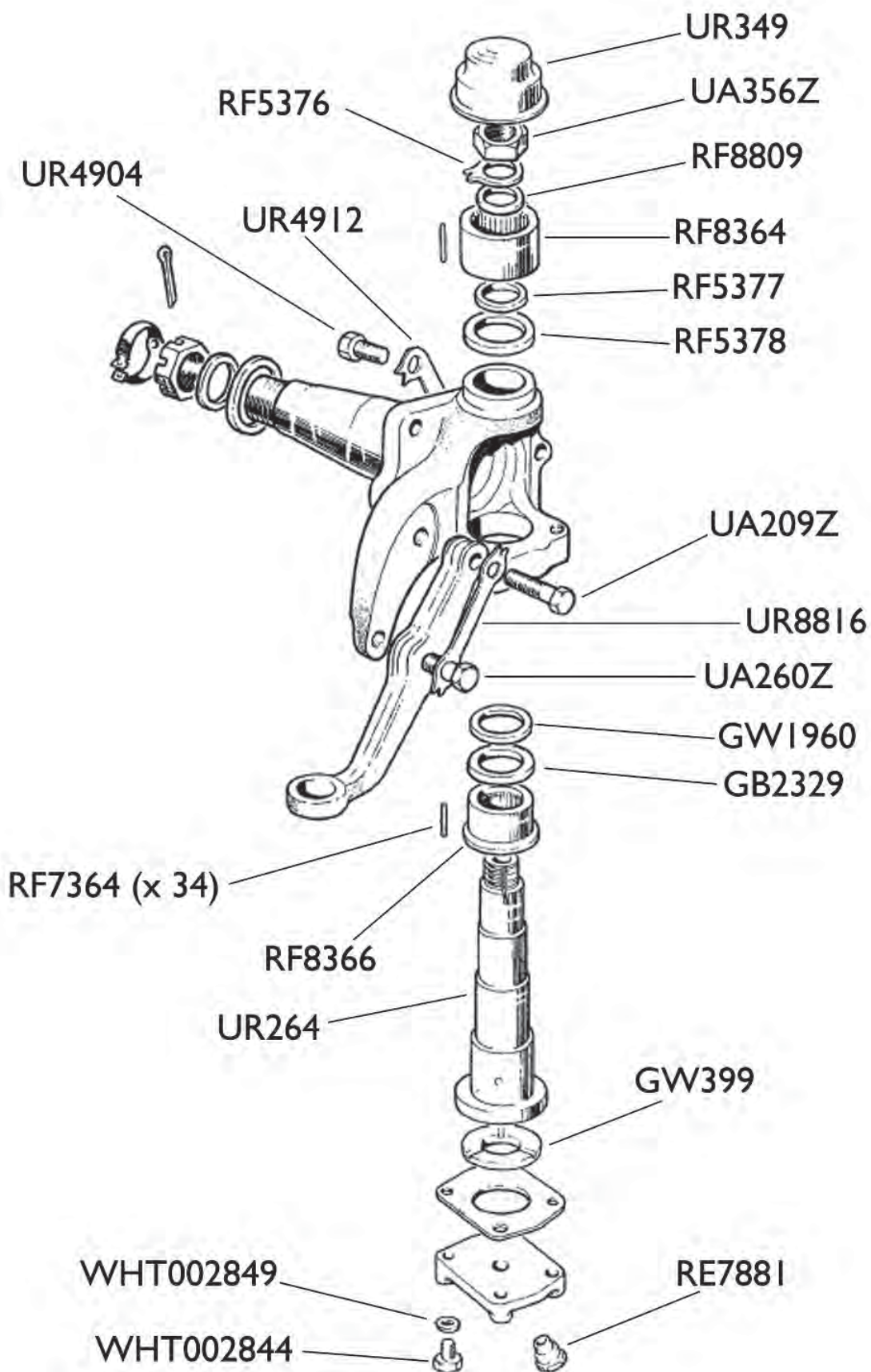


ALL DIAGRAMS REPRODUCED WITH KIND PERMISSION OF BENTLEY MOTORS LIMITED - COPYRIGHT OF BENTLEY MOTORS LIMITED

KING PINS - SERIES 2 & 3 MODELS

KING PIN KIT	UR264KIT
KING PIN	UR264P
UPPER BEARING	RF8364P
LOWER BEARING (Including needle rollers)	RF8366P
THRUST WASHER BELOW KING PIN	GW399P
FELT SEAL, LOWER	GB2329
RETAINER, FELT SEAL	GW1960
DISTANCE PIECE	RF5377P
FELT SEAL, UPPER	RF5378
LOCKTAB	RF5376P
WASHER	RF8809
LOCKTAB FOR STEERING ARM	UR8816P
LOCKTAB (Backplate to stub axle - 2 per hub)	UR4912P
TOP COVER (King pin)	UR349P
LOAN OF KING PIN REMOVAL TOOL	RH568LOAN
NEEDLE ROLLER	RF7364P
BOLT	WHT002844
GREASE NIPPLE	RE7881
BOLT	UA209Z
WASHER	WHT002849P
BOLT	UA260Z

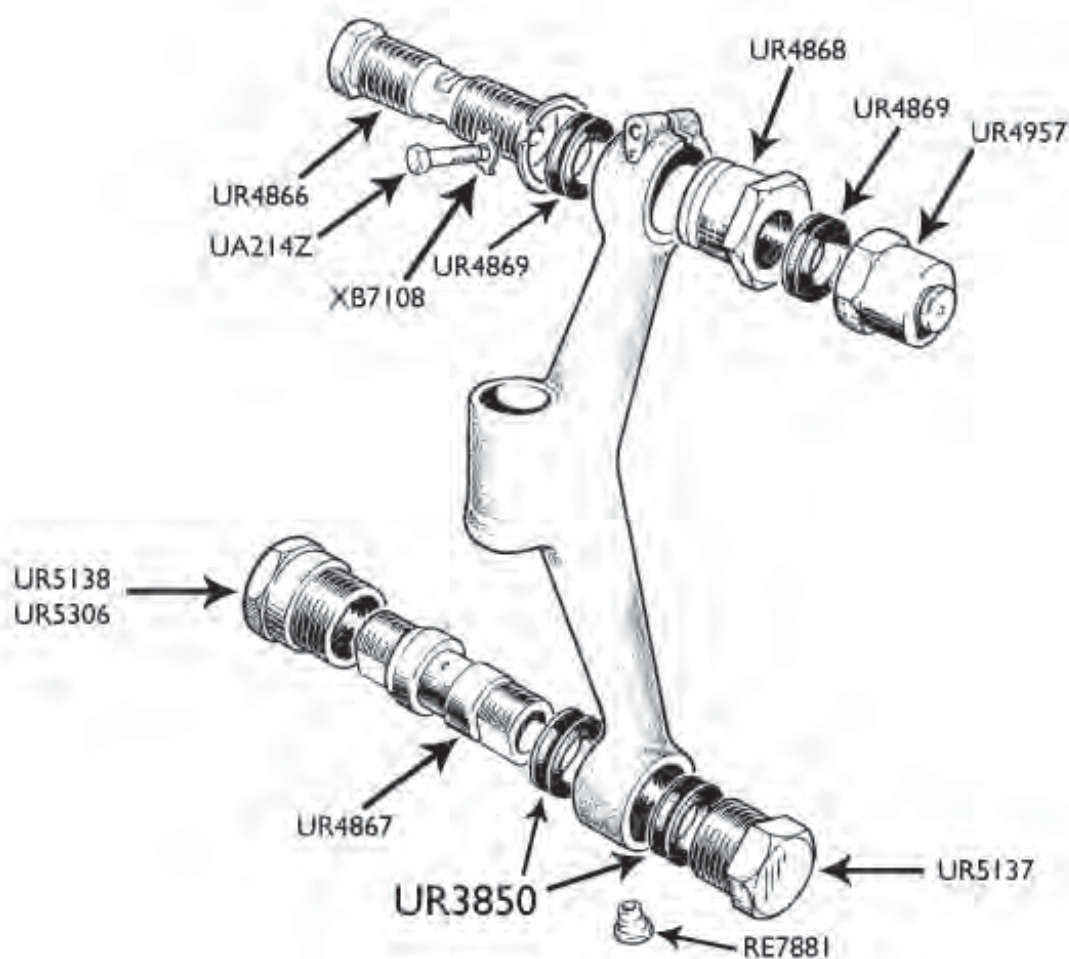
KING PINS - SERIES 2 & 3 MODELS



ALL DIAGRAMS REPRODUCED WITH KIND PERMISSION OF BENTLEY MOTORS LIMITED - COPYRIGHT OF BENTLEY MOTORS LIMITED

FRONT YOKE - SERIES 2 & 3 MODELS

UPPER FULCRUM PIN	UR4866
UPPER FULCRUM PIN (Aftermarket)	UR4866P
UPPER FULCRUM BUSH	UR4868
UPPER FULCRUM BUSH (Aftermarket)	UR4868P
SEALING RING (Upper fulcrum pin)	UR4869P
LOWER FULCRUM PIN	UR4867
LOWER FULCRUM PIN (Aftermarket)	UR4867P
LOWER FULCRUM BUSH (Aftermarket)	UR5137P
STEPPED BUSH (Lower fulcrum pin - Series 2 & early Series 3)	UR5138
STEPPED BUSH (Lower fulcrum pin - Series 2 & early Series 3 models - Aftermarket)	UR5138P
STEPPED BUSH (Lower fulcrum pin - late Series 3)	UR5306
STEPPED BUSH (Lower fulcrum pin - late Series 3)	UR5306P
SEALING RING (Lower fulcrum pin)	UR3850P
GREASE NIPPLE	RE7881
LOCKTAB (0.375")	XB7108P

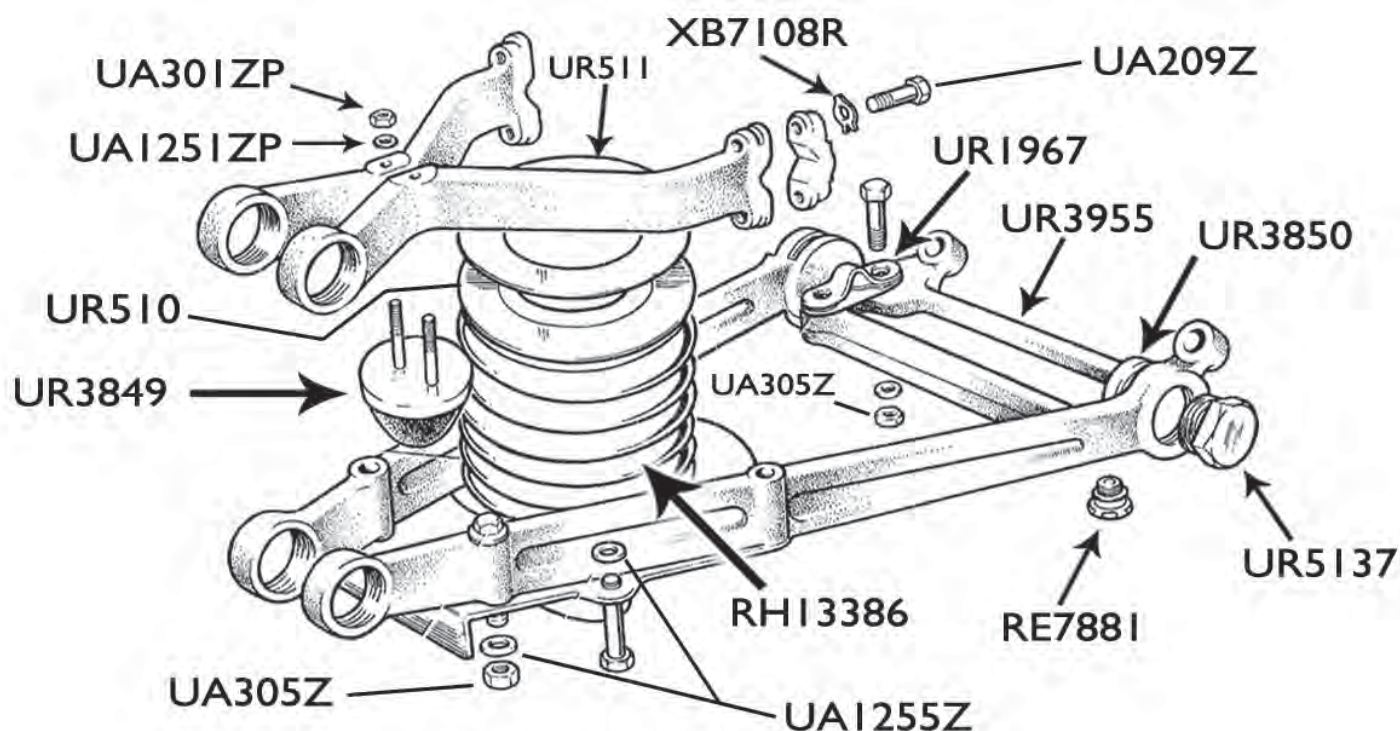


ALL DIAGRAMS REPRODUCED WITH KIND PERMISSION OF BENTLEY MOTORS LIMITED - COPYRIGHT OF BENTLEY MOTORS LIMITED

FRONT SUSPENSION - SERIES 2 & 3 MODELS

SPRINGS & TRIANGLE LEVERS

FULCRUM BRACKET	UR3955P
LOWER FULCRUM BUSH	UR5137P
SEALING RING (Lower fulcrum pin)	UR3850P
LOCKTAB FULCRUM BRACKET (4 per bracket)	UR1967P
GREASE NIPPLE	RE7881
BUMP STOP	UR3849P
BUMP STOP (Chassis to front suspension)	UR3941P
LOCKTAB (0.375")	XB7108P
FRONT ROAD SPRING	RH13386P
ADJUSTING SHIM (Front road spring)	UR510
12mm THICK ADJUSTING SHIM (Front road spring)	UR510+12P
SPRING SEAT	UR511
SPRING SEAT	UR511U
BOLT	UA209Z
NUT (Plain - 0.500" diameter)	UA305ZP
WASHER	UA1255Z

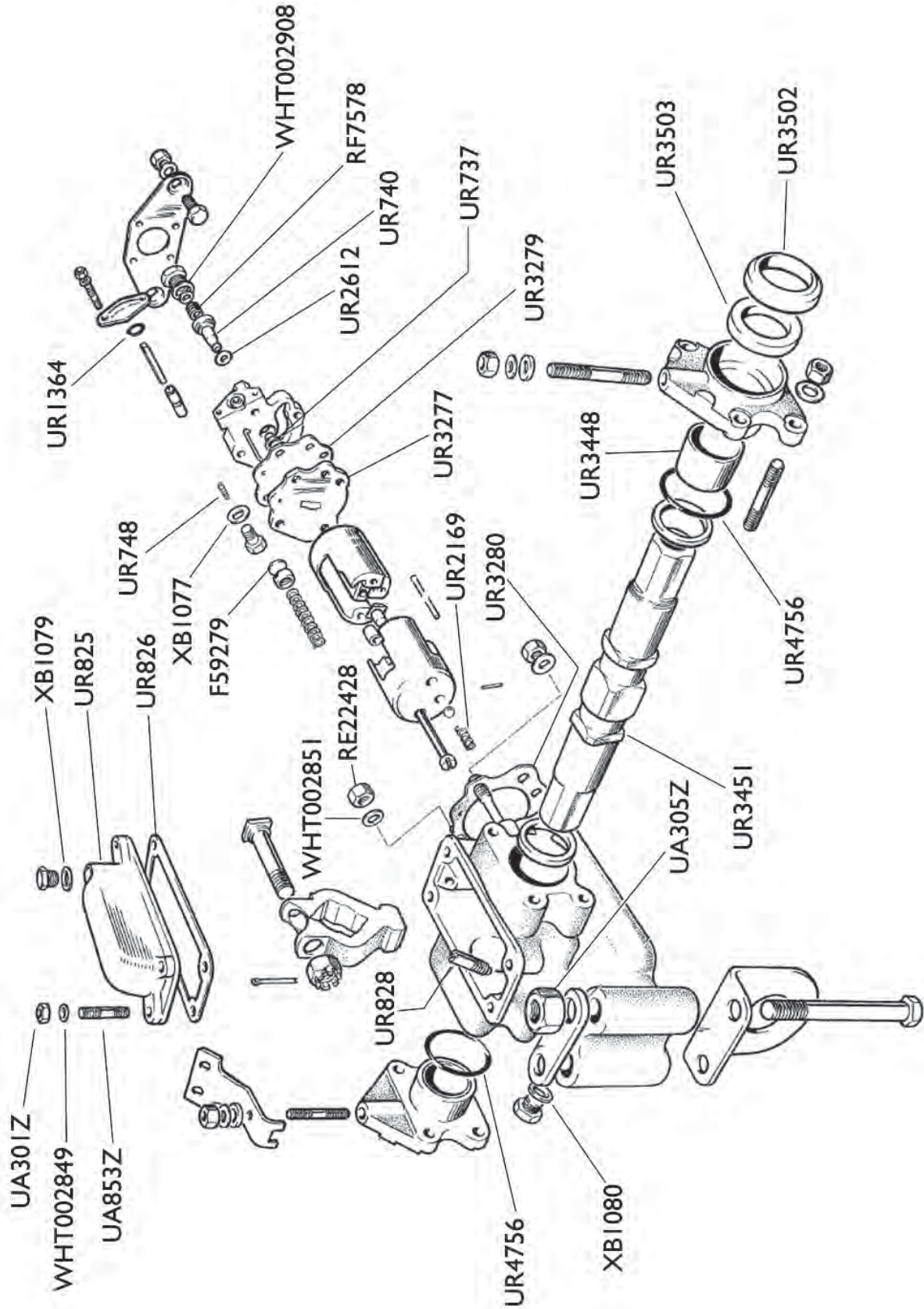


ALL DIAGRAMS REPRODUCED WITH KIND PERMISSION OF BENTLEY MOTORS LIMITED - COPYRIGHT OF BENTLEY MOTORS LIMITED

FRONT SHOCK ABSORBER - SERIES 2 & 3 MODELS

FRONT SHOCK ABSORBER	RH2060SXR
BUMP STOP	UR3849P
JOINT (Damper valve seat to end cover)	UR3279
GASKET (Top cover)	UR826
GASKET (Damper body to end plate)	UR3280
BUSH (Damper end cover)	UR737
SEAL (Damper shaft bush housing)	UR3503
SEALING RING (Damper shaft bush housing)	UR4756
RETAINER (Damper shaft seal)	UR3502
BUSH (Damper shaft)	UR3448
SEALING RING (Blanking plate)	UR1364
COVER (Front shock absorber)	UR825
SPRING (High & low pressure valve)	RF7578
VALVE ASSEMBLY (High & low pressure)	UR740
ADJUSTING WASHER (0.030" - Damper valve)	UR2612
SLOW LEAK JET	UR828
STUD (Oil pump casing to base plate - 6 per pump)	UA853Z
NUT (Plain - 0.500" diameter)	UA305ZP
NUT	RE22428P
NUT	UA301ZP
WASHER	XB1080RP
WASHER	WHT002908
WASHER	WHT002851P
WASHER	XB1079RP
WASHER	WHT002849P
DISC (Piston)	F59279
WASHER (Damper lubrication hole)	XB1077

FRONT SHOCK ABSORBER - SERIES 2 & 3 MODELS

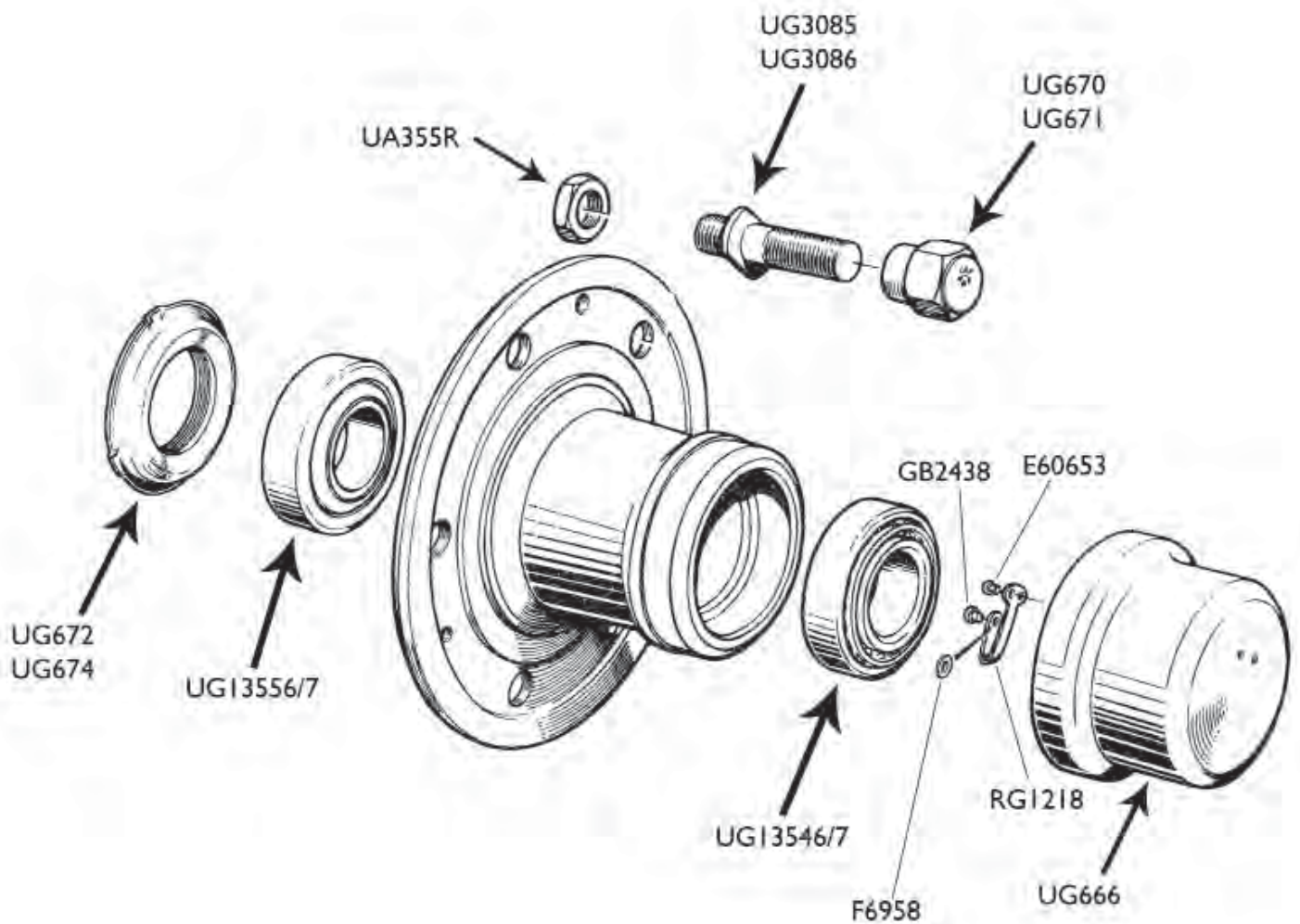


ALL DIAGRAMS REPRODUCED WITH KIND PERMISSION OF BENTLEY MOTORS LIMITED - COPYRIGHT OF BENTLEY MOTORS LIMITED

FRONT HUB - SERIES 2 & 3 MODELS

HUBS & WHEEL BEARINGS

WHEEL BEARING, INNER, FRONT HUB	UG13556/7P
WHEEL BEARING, OUTER, FRONT HUB	UG13546/7P
GREASE RETAINER (RH front hub)	UG672
GREASE RETAINER (LH front hub)	UG674
RH THREADED WHEEL NUT	UG670U
LH THREADED WHEEL NUT	UG671U
BRAKE DRUM RETAINING SCREW	UG673P
FRONT HUB DUST COVER	UG666P
RH WHEEL STUD	UG3085
LH WHEEL STUD	UG3086
LH FRONT HUB	UG3411



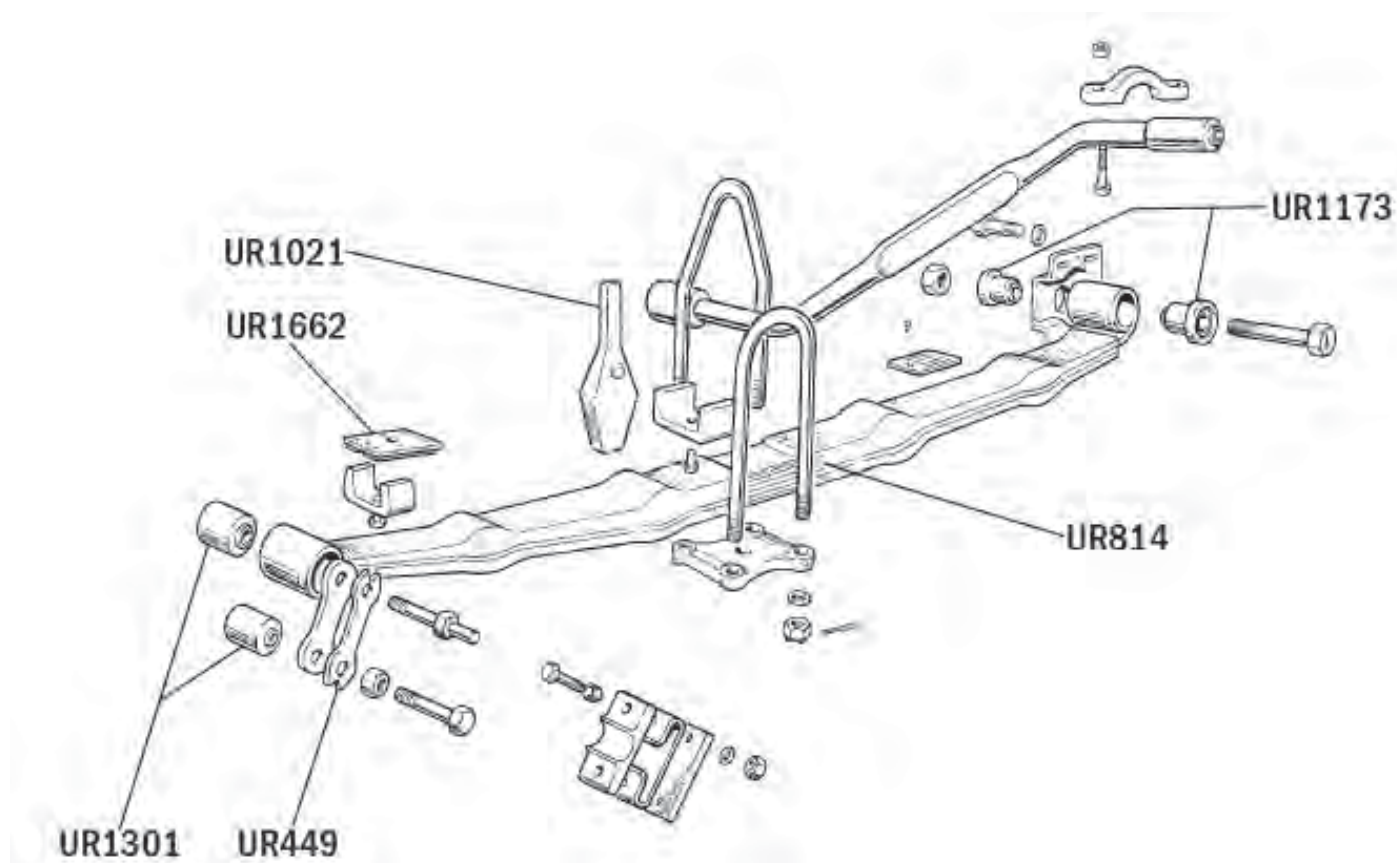
ALL DIAGRAMS REPRODUCED WITH KIND PERMISSION OF BENTLEY MOTORS LIMITED - COPYRIGHT OF BENTLEY MOTORS LIMITED

REAR SHOCK ABSORBER

RH REAR SHOCK ABSORBER	UR4952SXR
LH REAR SHOCK ABSORBER	UR4953SXR
SILENTBLOC BUSH IN ARM OF REAR SHOCK	UR3673
RH SHAFT & OPERATING LEVER (Rear damper)	UR3991
LH SHAFT & OPERATING LEVER (Rear damper)	UR3992
SEALING RING (Rear damper bearing housing)	UR3776
RUBBER GLAND (Rear damper rocking shaft)	RF7793
GASKET (Rear damper top cover)	UR1194
SEALING RING (Blanking plate)	UR1364
BUSH (Damper end cover)	UR737
GASKET (Damper body to end plate)	UR3280
JOINT (Damper valve seat to end cover)	UR3279
DISC (Piston)	F59279
SPRING (High & low pressure valve)	RF7578
VALVE ASSEMBLY (High & low pressure)	UR740
ADJUSTING WASHER (0.030" - Damper valve)	UR2612
SLOW LEAK JET	UR828
WASHER	WHT002850
NUT (Plain - 0.500" diameter)	UA305ZP
WASHER	UA1255Z
NUT	RE22428P
WASHER	XB1080RP
WASHER	WHT002908
WASHER	WHT002851P
WASHER	XB1079RP
WASHER	WHT002849P
HALF NUT	UA352ZP
NUT	UA302R

REAR SPRING

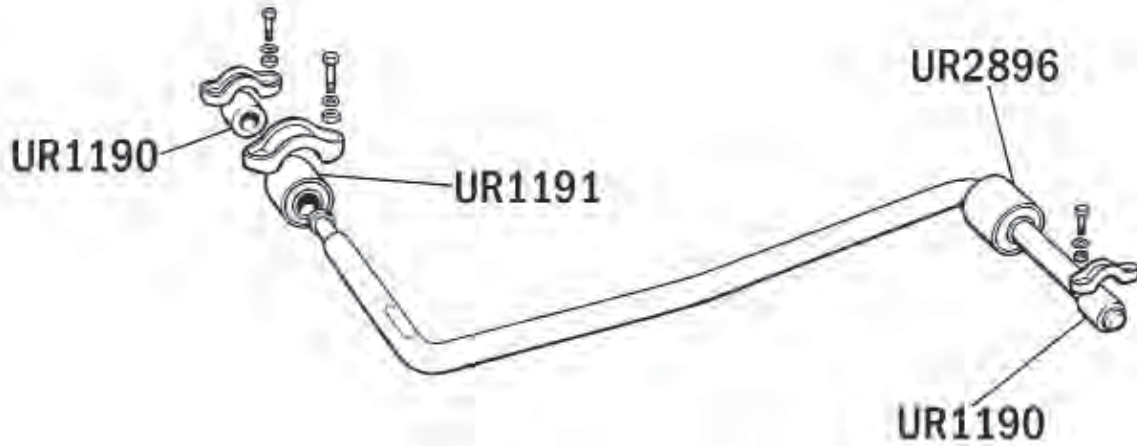
REAR SPRING GAITER	UR814P
REAR SPRING ASSEMBLY (1100lb)	UR3021SXR
REAR SPRING ASSEMBLY (1200lb)	UR3022SXR
REAR SPRING ASSEMBLY (1300lb)	UR2993SXR
REAR SPRING ASSEMBLY (1400lb)	UR5029SXR
FRONT SHACKLE BUSH (Rear spring)	UR1173P
LOCKTAB REAR SHACKLE BOLTS	UR449
SILENTBLOC BUSH	UR1301
REAR SPRING BUMP RUBBER	UR1021P
RUBBER INTERLEAF	UR1662P



REAR ANTI-ROLL BAR

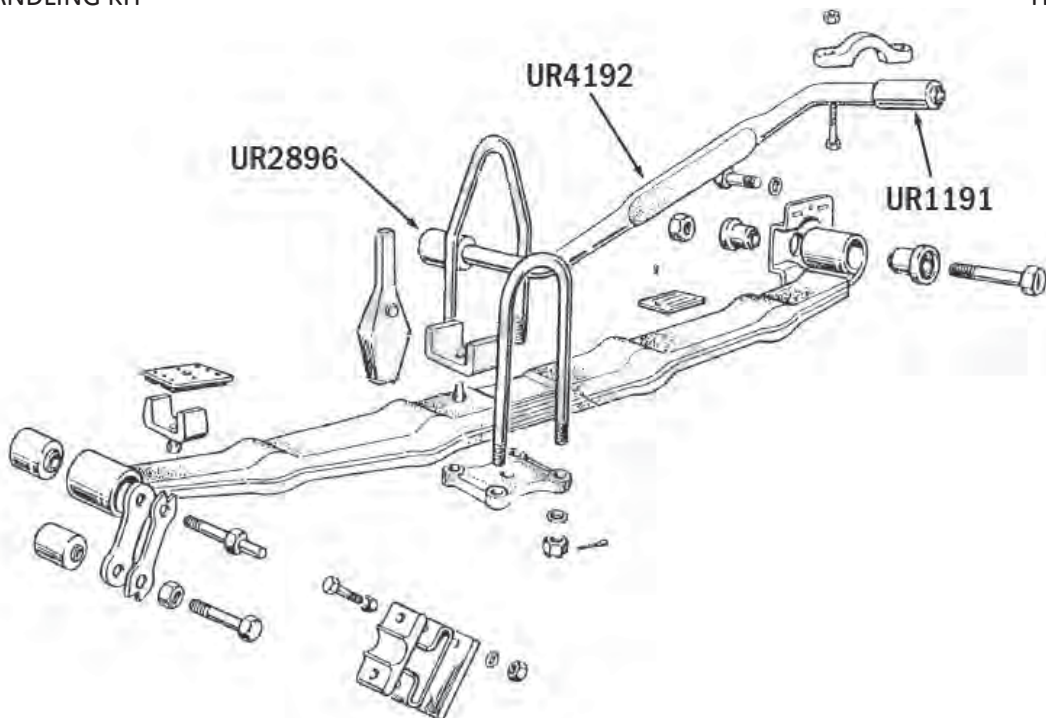
REAR ANTI-ROLL BAR - STANDARD SERIES 1 MODELS

Z BAR	UR2295U
BUSH ON Z BAR (LARGE)	UR2896
BUSH ON Z BAR (SMALL)	UR1191
BUSH ON EACH END OF Z BAR	UR1190
HARVEY BAILEY HANDLING KIT	HBEKCL



REAR ANTI-ROLL BAR - SERIES 2 & 3 MODELS

Z BAR	UR4192U
Z BAR (Without bushes)	UR4192P
BUSH ON Z BAR (LARGE)	UR2896
BUSH ON Z BAR (SMALL)	UR1191
HARVEY BAILEY HANDLING KIT	HBEKCL



ALL DIAGRAMS REPRODUCED WITH KIND PERMISSION OF BENTLEY MOTORS LIMITED - COPYRIGHT OF BENTLEY MOTORS LIMITED

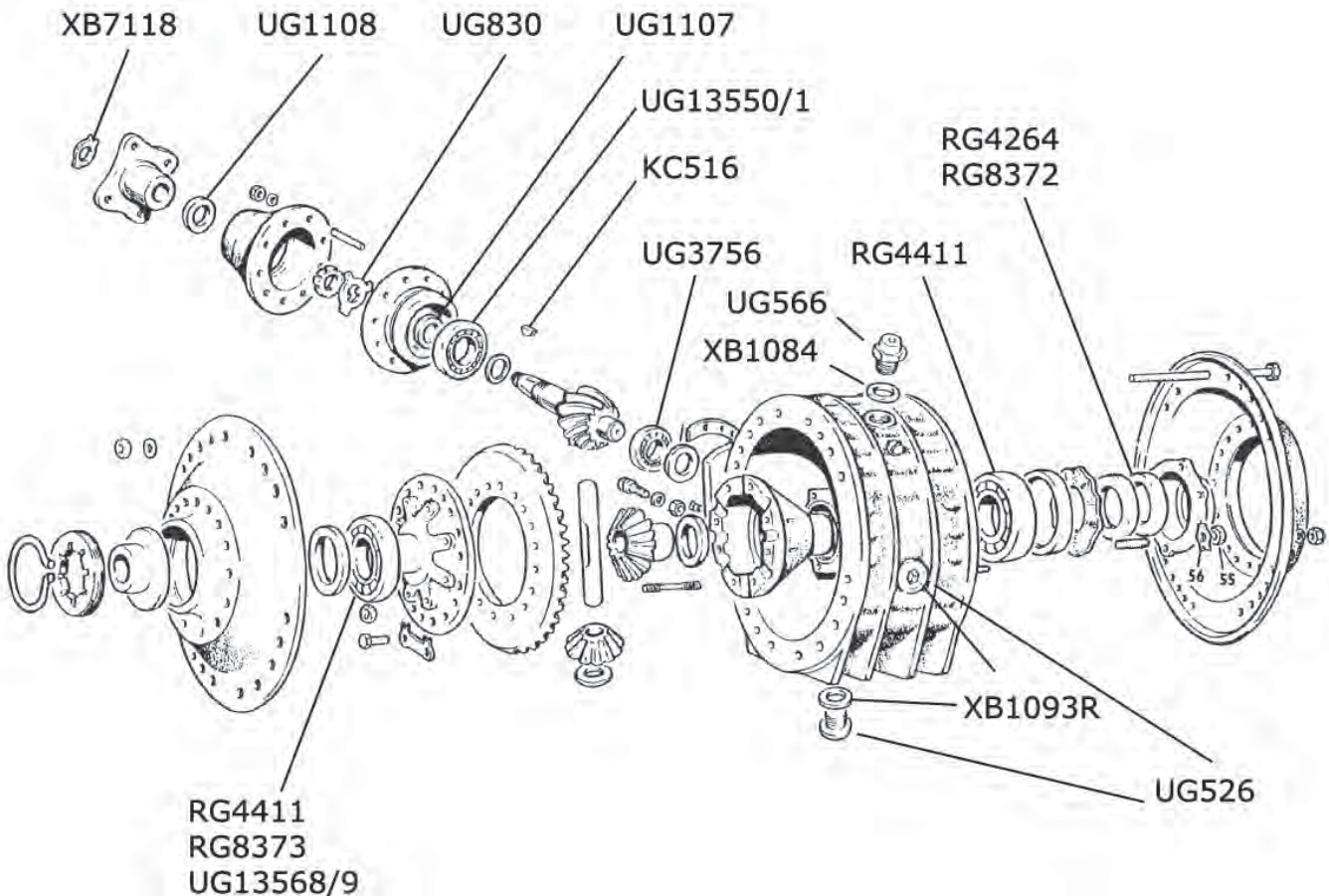
TOOLS

TOOL KIT ASSEMBLY (S3 / Silver Cloud III)	UR5484U
JACK	UR571U
TOMMY BAR	UR4487U
WHEEL BRACE	UR4486U
KINSMAN TYRE PUMP	RF4515
DUNLOP BOTTLE JACK	RF6019U
HANDLE (Dunlop bottle jack)	RF9220U
INSPECTION TORCH	UD1839U
SCREWDRIVER	UE5082P
FEELER GAUGE, IGNITION POINTS (0.020")	RF6612P
SPARK PLUG SPANNER	UE5081U
SUMP PLUG SPANNER	UR4481U
PLIERS	UR4483U
TYRE PRESSURE GAUGE	UR8760U
SPANNER, COMBINATION (UR960)	UE5078
SPANNER, ADJUSTABLE (UR1054)	UR4484
GREASE GUN	GREASEGUN
GREASE GUN ATTACHMENT	GREASEGUNEND
THERMOSTAT EXTRACTION TOOL	RH639P
LOAN OF THERMOSTAT EXTRACTION TOOL	RH639LOAN
THERMOSTAT EXTRACTION TOOL EXTENSION PIECE (For thermostats without threaded holes)	RH639EXTP
BRAKE SHOE ALIGNMENT TOOL	RH627P
VALVE HOLDER	RF5214U
LOAN OF VALVE REMOVAL TOOL	RH7094LOAN

TRANSMISSION

DIFFERENTIAL / AXLE

RECONDITIONED 13 X 40 RATIO (14 spline shaft) AXLE DIFFERENTIAL - Early Series 1 Models	AXLE3
RECONDITIONED 13 X 40 RATIO (17 spline shaft) AXLE DIFFERENTIAL - Late Series 1 Models	AXLE4
RECONDITIONED 13 X 38 RATIO AXLE DIFFERENTIAL - Series 2 & 3 Models	AXLE5
PINION THRUST BEARING	UG13550/1P
PINION SEAL (LH THREAD)	UG1107
LOCKTAB PINION (INSIDE DIFF)	UG830
FELT SEAL PINION HOUSING	UG1108
LOCKTAB	XB7118
LEATHER HALF SHAFT OIL SEAL (14 Spline shaft)	RG4264P
HALF SHAFT OIL SEAL (17 Spline shaft)	RG8372P
RH HALF SHAFT BEARING - All Models	RG4411P
LH HALF SHAFT BEARING (14 spline shaft - Series 1 Models)	RG4411P
LH HALF SHAFT BEARING (17 Spline shaft - Series 1 Models)	RG8373P
LH HALF SHAFT BEARING (17 Spline shaft - Series 2 & 3 Models)	UG13568/9P
PINION NOSE BEARING	UG3756P
SUMP PLUG WASHER	XB1093RP

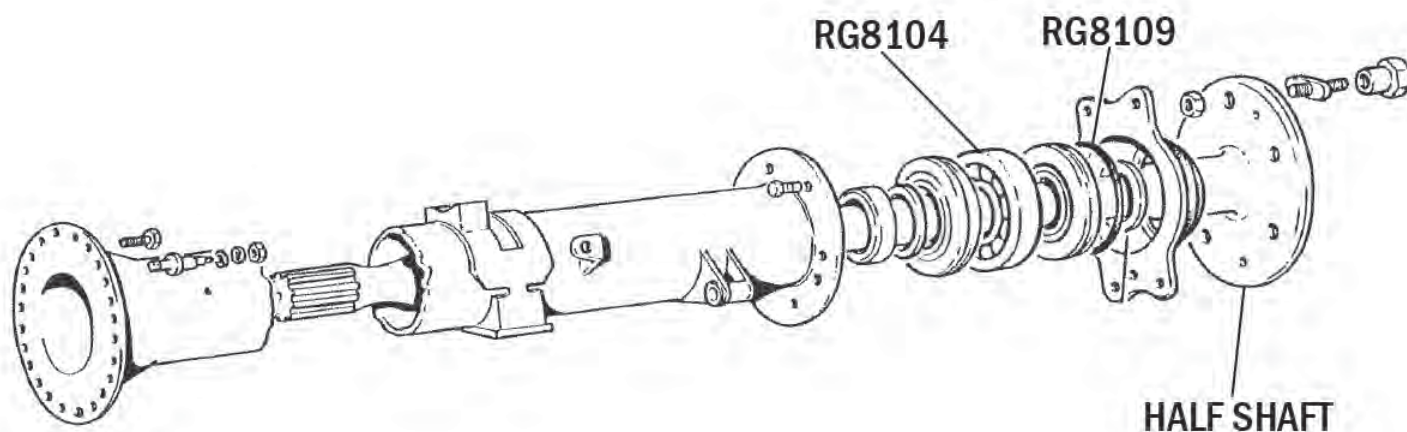


ALL DIAGRAMS REPRODUCED WITH KIND PERMISSION OF BENTLEY MOTORS LIMITED - COPYRIGHT OF BENTLEY MOTORS LIMITED

TRANSMISSION

HALF SHAFTS & REAR WHEEL BEARINGS

REAR WHEEL BEARING	RG8104P
COLLAR (Rear wheel bearing)	GB4956
SEALING RING (Rear wheel bearing)	RG8109
RH AXLE SHAFT (14 spline)	UG3082
LH HALF SHAFT EARLY (14 Spline)	UG2868U
RH HALF SHAFT (17 Spline - Series 1 Models)	UG3077U
LH HALF SHAFT (17 Spline - Series 1 Models)	UG3079U
HALF SHAFT RH (Series 2 & 3 Models)	UG3732U
HALF SHAFT LH (Series 2 & 3 Models)	UG3733U
RH HALF SHAFT ASSEMBLY (Series 2 & 3 Models)	UG3744SX
LH HALF SHAFT ASSEMBLY (Series 2 & 3 Models)	UG3743SX
LH HALF SHAFT ASSEMBLY (Phantom V & VI)	UG2753
RH WHEEL STUD (Early Series 1 models)	UG668
LH WHEEL STUD (Early Series 1 models)	UG669
RH WHEEL STUD (Late Series 1 & Series 2 & 3 Models)	UG3085
LH WHEEL STUD (Late Series 1 & Series 2 & 3 Models)	UG3086
RH THREADED WHEEL NUT	UG670U
LH THREADED WHEEL NUT	UG671U



WHEELS & TYRES

WHEELS & HUBS CAPS

ROAD WHEEL	UG3634U
PAINTED BEAUTY RING	UG1559P
PAINTED BEAUTY RING	UG1559U
HUB CAP PAINTED RING CLIP (6 per ring)	UG4158P
HUB CAP (RR - Stainless Steel)	UG4363P
HUB CAP (RR - Stainless Steel)	UG4363U
HUB CAP (Bentley - Stainless Steel)	UG4364P
HUB CAP (Bentley - Stainless Steel)	UG4364SXR
HUB CAP (Bentley - Stainless Steel)	UG4364U
SPARE WHEEL COVER (Late Series 2 & all Series 3 models)	UB3463
SPARE WHEEL COVER (Late Series 2 & all Series 3 models)	UB3614P
RH THREADED WHEEL NUT	UG670U
LH THREADED WHEEL NUT	UG671U

TYRES

235 /75 X 15 HERCULES ULTRA PLUS RADIAL TYRE	235X75X15HERCUL
820x15 DUNLOP BLACK WALL TYRE	820X15DUNLOPBW
820x15 AVON BLACK WALL TYRE	820X15AVONBW
820x15 BF GOODRICH BLACK WALL TYRE	820X15
820x15 FIRESTONE WHITE WALL (3.5") TYRE	820X15FIRESTONE
820x15 BF GOODRICH WHITE WALL (3&5/8") TYRE	820X15BFGOODWW
INNER TUBE (Michelin 820 x 15)	UG2596P

VALVE CAPS

RR VALVE CAPS	RH20589
BENTLEY VALVE CAPS (Silver B / Red Background)	RH20590
BENTLEY VALVE CAPS (Silver B / Black Background)	RH20791
BENTLEY VALVE CAPS (Gold B / Green Background)	RH30007
BENTLEY VALVE CAPS (Gold B / Red Background)	RH30053
BENTLEY VALVE CAPS (Gold B / Black Background)	PY112211PA
BENTLEY VALVE CAPS (Silver B / Blue Background)	RH20792

FLYING SPARES - TERMS & CONDITIONS OF SALE

SHIPPING

Flying Spares make every endeavour to ensure that your goods arrive in a satisfactory condition. No claims for damage, loss or short delivery can be accepted once a consignment has been signed for as 'Received in good condition.' Once a parcel leaves our premises, we have no control over the delivery of that parcel, as such Flying Spares accept no responsibility for late delivery of a parcel and any ongoing costs incurred.

ESTIMATED SHIPPING COSTS

Sometimes it may be necessary to estimate delivery charges on your invoice. Whilst we make every attempt to correctly estimate these costs at the time of invoicing, we reserve the right to charge customers any additional shipping charges / local duties that are due.

GUARANTEES & WARRANTIES

All used parts supplied are guaranteed for 3 months from the date of invoice. If you are not satisfied with a used part that we have supplied, we will replace it or re-imburse you but only up to the value of the part on the original invoice.

All reconditioned parts are guaranteed for a minimum of 12 months from the date of invoice. Warranties against faulty parts are limited to the value of the original part and will not cover any costs incurred for labour, failure of a related component, failure due to incorrect installation or misuse of the component.

RETURNS

Parts correctly supplied that are returned for credit through no fault of Flying Spares, will be liable to a 15% handling charge. Please note that parts specially ordered on behalf of a customer from Bentley Motors will not be accepted for credit as these parts cannot be returned to Bentley.

SURCHARGES

Parts supplied with a surcharge against the exchange unit will have the surcharge refunded in full if Flying Spares are in receipt of a serviceable core unit within 28 days of the date of the invoice. If they are not received within this time, Flying Spares reserve the right to reduce the amount of surcharge refunded.

STRIKES, LOCK OUTS ETC

Flying Spares shall not be held responsible for non-supply of an order owing to an act of God, war, disease, strike, lock-outs, fire or any other accident or incident of any nature whatsoever that is beyond the control of Flying Spares

PAYMENT

All parts remain the property of Flying Spares Limited until full and final payment is received.

TELEPHONE : 01455 292949 - FAX : 01455 292959 - EMAIL : sales@flyingspares.co.uk

WEBSITE : www.flyingspares.com

TABLE OF CONTENTS

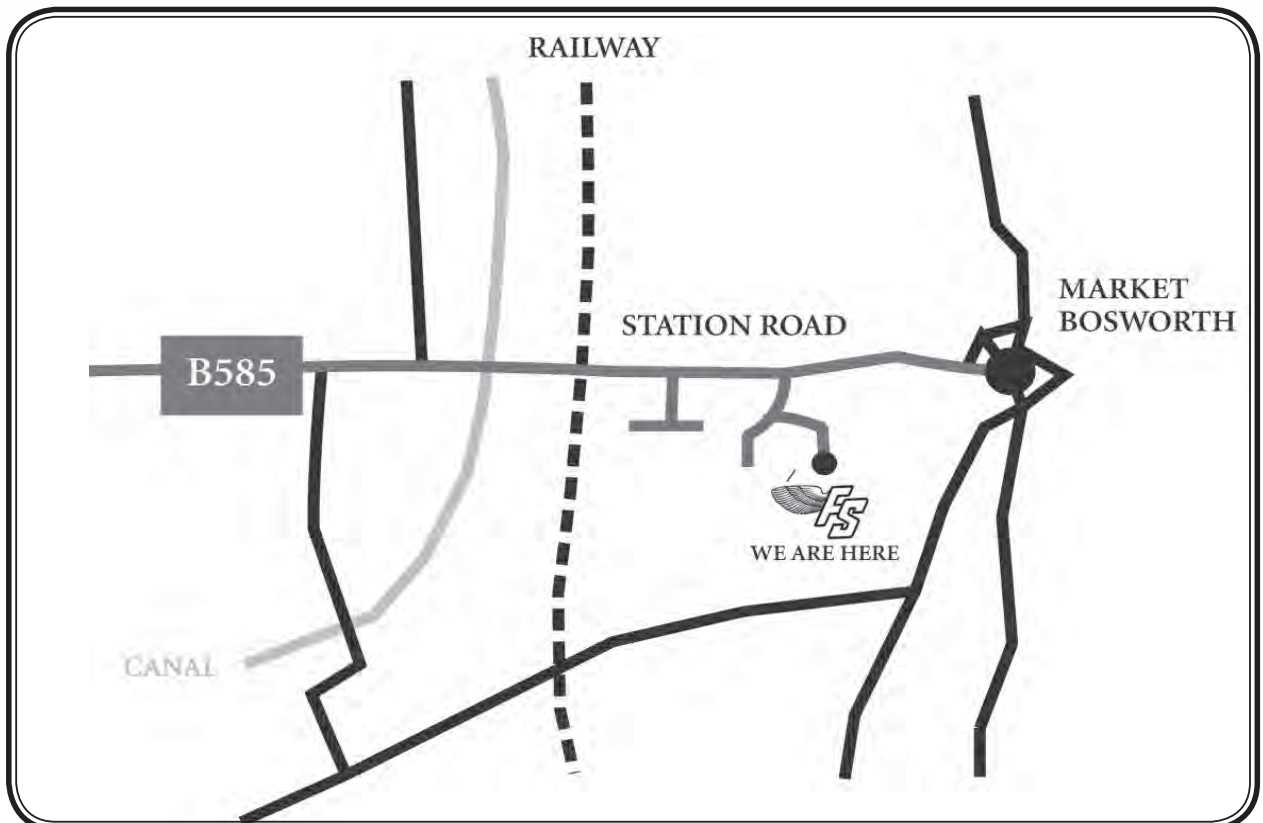
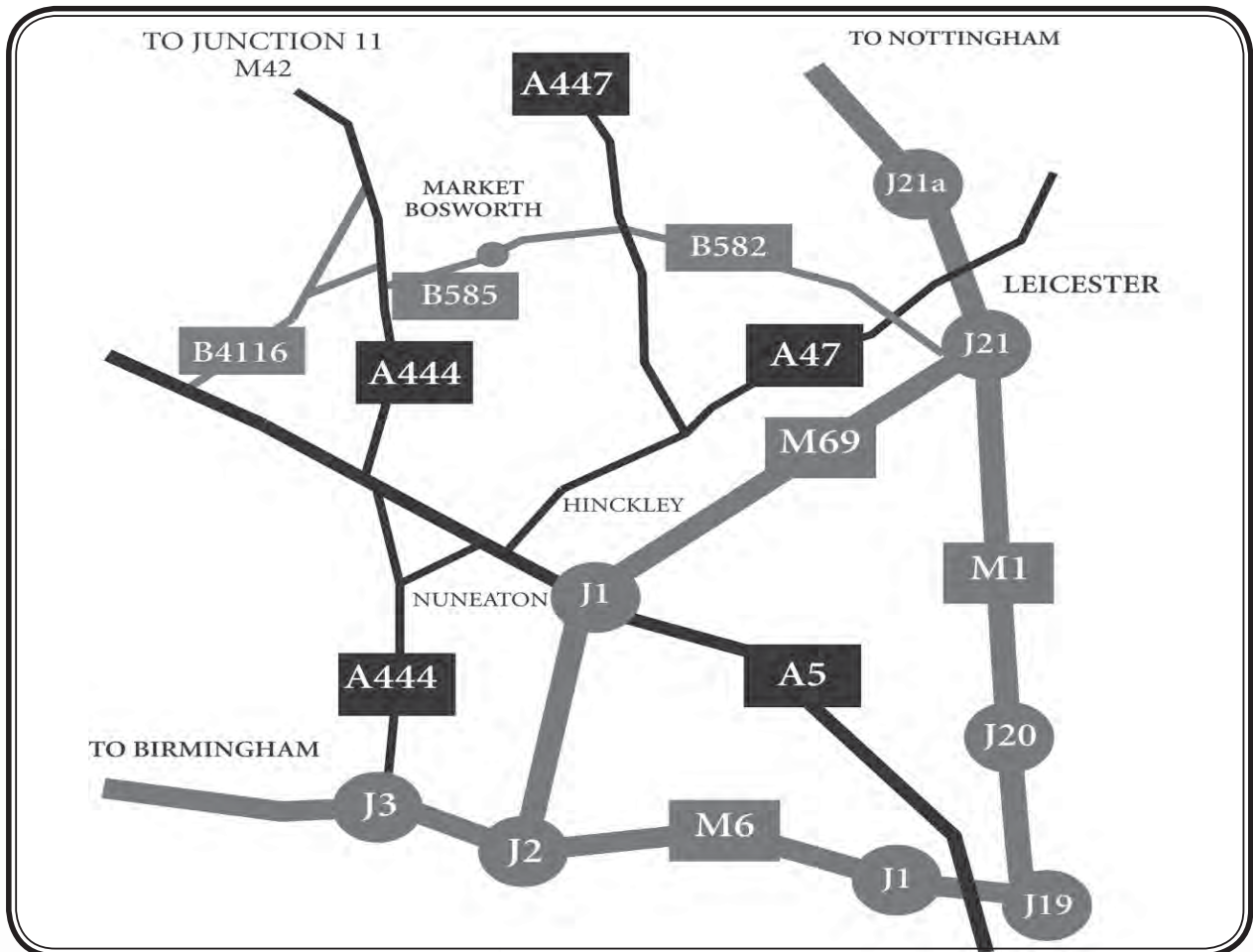
IF THERE IS A PART YOU CANNOT FIND IN OUR PARTS LIST, PLEASE DO NOT HESITATE TO CONTACT US

Aerial, 59	Fuel Pipes, 108	Repair Panels, 20,22
Air Conditioning, 144	Fuel Pump, 104	Rocker Shaft, 71
Air Filter, 120	Fulcrum Bracket , 217	Screen Seal, 17
Anti-Roll Bar, 220	Fuses, 55	Shock Absorber, 210,218,222
Axle, 227	Gear Change, 136	Sidelamps, 56
Badges, 18	Gearbox, 130	Speedo Drive, 135
Beauty Rings, 229	Grille, 18	Spool Valve, 179
Big End Bearings, 70,83	Half Shaft, 227	Spring Gaiter, 224
Body Mounts, 6	Head Gasket, 76,88	Starter Motor, 60
Body Seals, 8,9	Headlamps, 56,57	Steering Box, 168
Boot Handle, 15	Heater, 138	Steering Column, 182
Boot Lid, 15	Heater Hoses, 43	Steering Linkage, 162
Brake Pedal, 41	Horns, 55	Steering Wheel, 182
Brake Reservoir, 26	Hub Caps, 229	Steering Yoke, 208,216
Brake Servo, 38	Ignition, 145	Switches, 62
Brake Shoes, 28,30	Instruments, 150	Tappets, 84
Brakes, Rear, 32	Key Rings, 5	Tax Disc Holders, 5
Bumper, Front, 12	King Pins, 204,214	Thermostat, 46
Bumper, Rear, 13	Lamps, Rear, 58	Throttle Linkage, 122
Camshaft, 71,84	Main Bearings, 70,83	Tools, 226
Carburettors, 110	Manifold, 95	Torus, 132
Chassis Repair Panel, 23	Master Cylinder, 37	Triangle Levers, 206
Crank Damper, 74	Mirrors, 19	Tyres, 229
Cranshaft, 75,86	Mouldings, 10	Undersheets, 19
Cylinder Head, 75	Oil Filter, 80,90	Valve Caps, 5
Door Handles, 10	Oil Pump, 81,92	Valve Caps, 229
Door Handles, 16	One Shot Lubrication, 154	Valves, 72,73,85
Door Lock, 17	Pistons, 78,93	Washer Bottle, 64
Drive Belts, 49,50	Power Steering Box, 176,192	Water Pump, 42,51
Dynamo, 55	Power Steering Hoses, 181,200	Wheels, 229
Engine Mounts, 77	Power Steering Pump, 172,196	Window Lift, 68
Exhaust, 96	Power Steering Ram, 174,189	Windscreen, 17
Flywheel, 132	Propshaft, 155	Wiper Motor, 63,67
Fog Lamps, 59	Radiator, 47,48,52	Z Bar, 225
Front Hub, 213,221	Radio, 59	
Fuel Filter, 106	Rear Spring, 224	

TELEPHONE : 01455 292949 - FAX : 01455 292959 - EMAIL : sales@flyingspares.co.uk

WEBSITE : www.flyingspares.com

HOW TO FIND US



LOCATED IN MARKET BOSWORTH, WE ARE CONVENIENTLY PLACED IN THE CENTRE OF THE MOTORWAY NETWORK. ONLY MINUTES FROM THE M6, M1, M42 AND M69.

Flying Spares Limited

Rossendale House
Station Road Industrial Estate
Market Bosworth
Warwickshire
CV13 0PE
UK

Telephone : 01455 292949

Fax : 01455 292959

Email : sales@flyingspares.co.uk

Website : www.flyingspares.com